

**THOUVENOT, WADE & MOERCHEN, INC.**  
ENGINEERS • SURVEYORS • PLANNERS



**CORPORATE OFFICE**

4940 OLD COLLINSVILLE RD.  
SWANSEA, ILLINOIS 62226  
TEL (618) 624-4488  
FAX (618) 624-6688  
corp@twm-inc.com

**WATERLOO OFFICE**

113 SOUTH MAIN STREET  
WATERLOO, ILLINOIS 62298  
TEL (618) 939-5050  
FAX (618) 939-3938  
waterloo@twm-inc.com

**ST. LOUIS OFFICE**

1001 CRAIG ROAD, SUITE 260  
ST. LOUIS, MISSOURI 63146  
TEL (314) 236-5052  
FAX (314) 872-2194  
stlouis@twm-inc.com

PROFESSIONAL REGISTRATIONS

ILLINOIS PROFESSIONAL DESIGN FIRM	LICENSE NO.
ILLINOIS PROFESSIONAL ENGINEERING CORP.	184-04220
PROFESSIONAL STRUCTURAL ENGR. CORP.	62-03310
ILLINOIS PROF. LAND SURVEYING CORP.	81-005202
MISSOURI PROFESSIONAL ENGR. CORP.	NC 00828
MISSOURI LAND SURVEYING CORP.	NC 00346

SEAL

Revised Date:  
Signature Date:

**STATEMENT OF RESPONSIBILITY**  
I hereby confirm that the document herein to be authorized by me and is restricted to this sheet, and I hereby disclaim any responsibility for all other drawings, specifications, estimates, reports or other documents or instruments relating to or intended to be utilized for any other part of the architectural, engineering or survey project.

SEGMENTAL CONCRETE BLOCK WALL  
BLOCK WALL  
PLAN AND PROFILE

SEIBERT RD. RECONSTRUCTION  
PHASE I  
VILLAGE OF SHILOH  
ST. CLAIR COUNTY, ILLINOIS

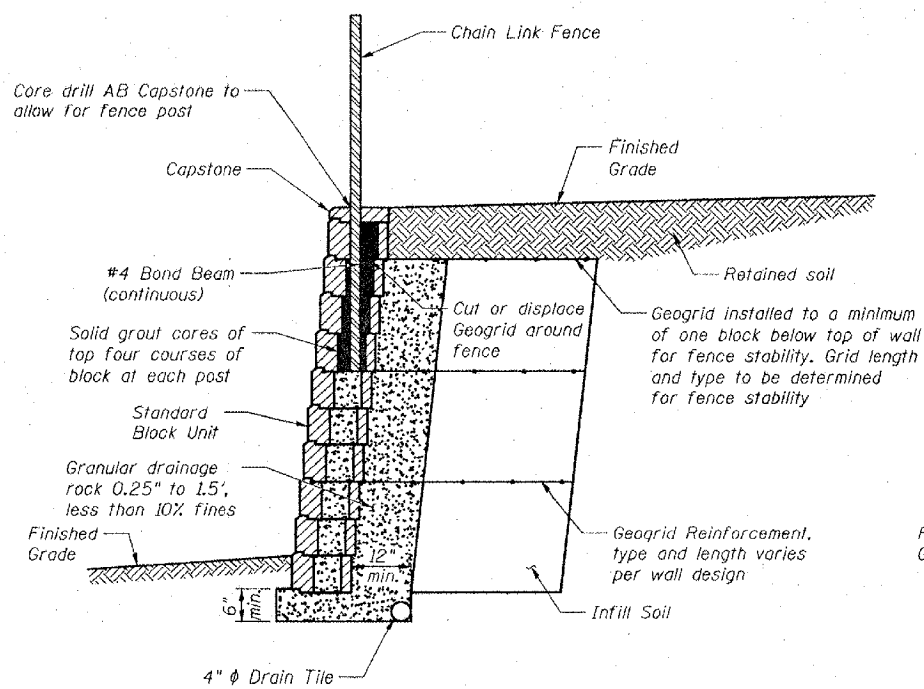
REV.	DATE	DESCRIPTION
△	/ /	
△	/ /	

DRAWN BY: KRP	SHEET: 17
DESIGNED BY:	
CHECKED BY:	
APPROVED BY:	
PROJECT NUMBER:	OF 40 SHEETS

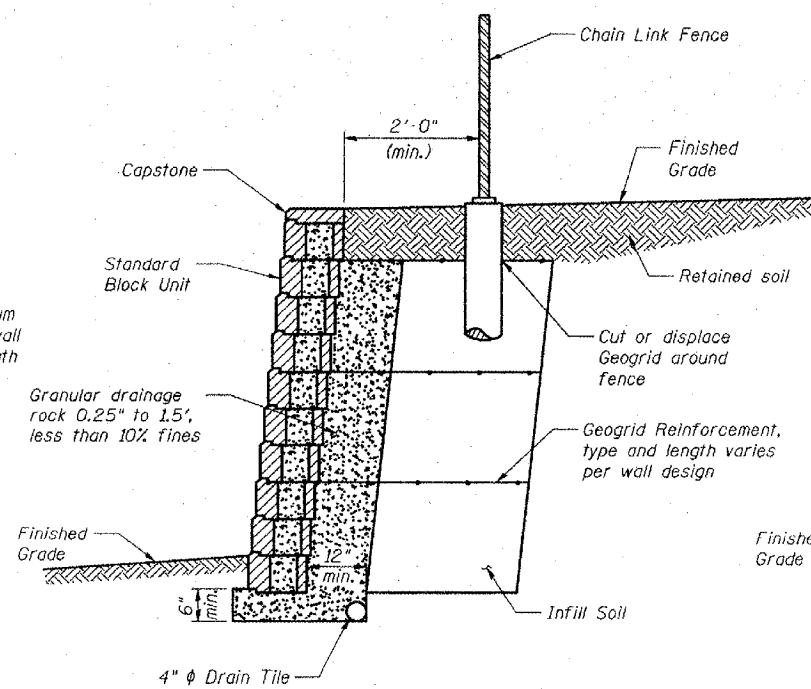
ISSUED FOR REVIEW  ISSUED FOR BIDDING  
 ISSUED FOR CONSTR.  RECORD DRAWING

PLAN	DATE	BY
REVISIONS		
NO.		

PROFILE	DATE	BY
REVISIONS		
NO.		

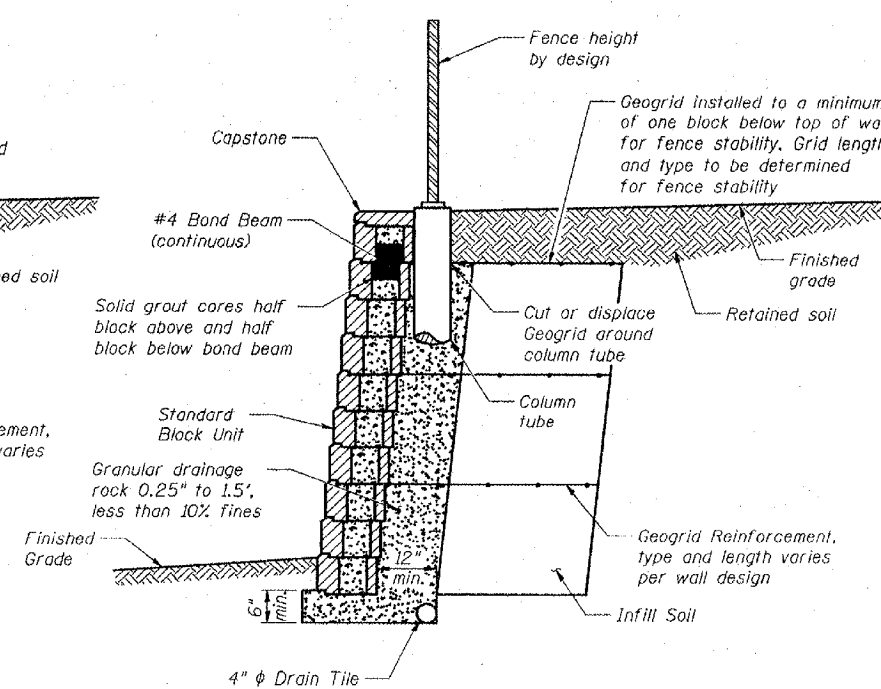


**CHAIN LINK FENCE DETAIL**

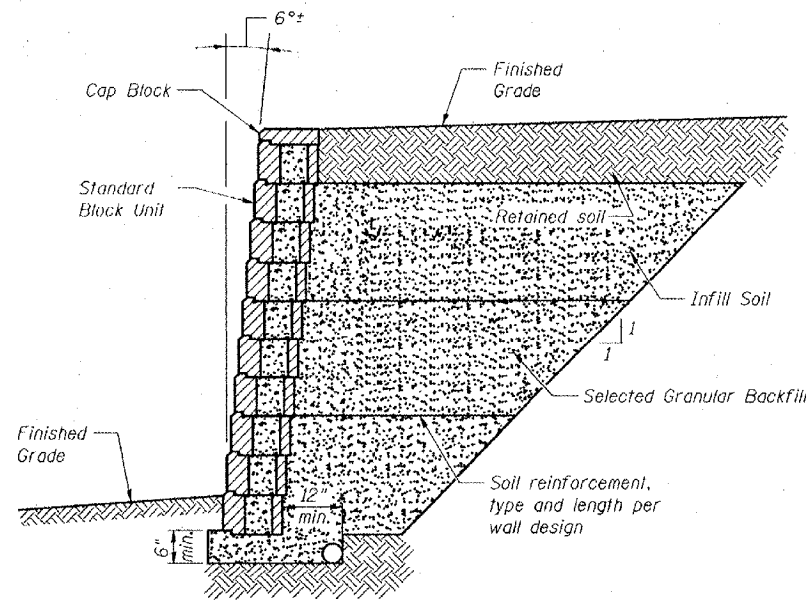


**SETBACK FENCE POST TYPICAL SECTION**

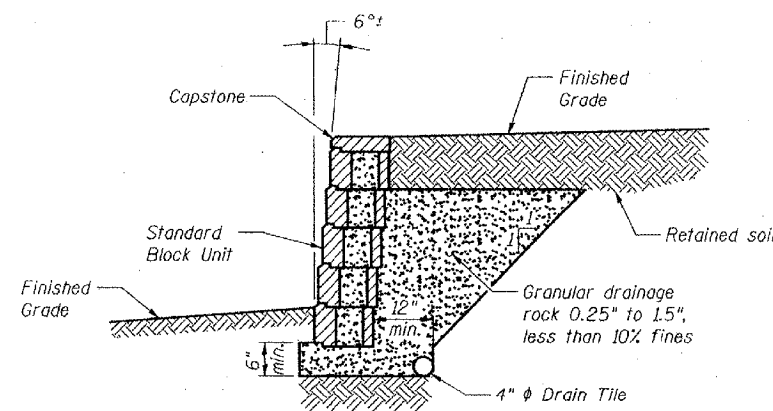
If the distance between the back of the block and the fence post is less than two feet, the fence will have an effect on the wall which must be accounted for.



**TYPICAL FENCE SECTION**



**TYPICAL SECTION WITH SOIL REINFORCEMENT**



**GRAVITY WALL TYPICAL SECTION**