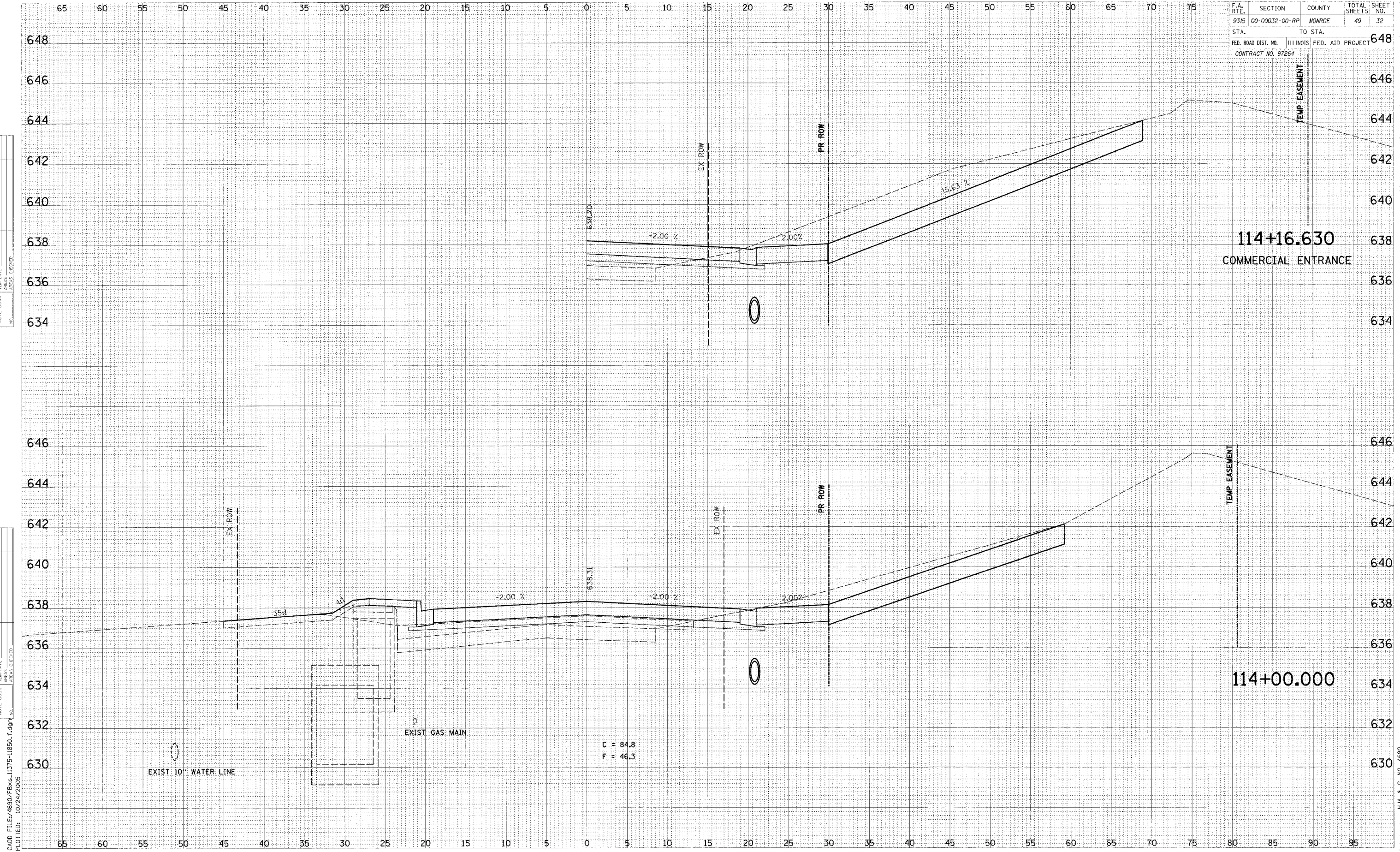


F.A. RTE.	SECTION	COUNTY	TOTAL SHEETS	SHEET NO.
93IS	00-00032-00-RP	MONROE	49	32
STA.	TO STA.		648	
FED. ROAD DIST. NO.	ILLINOIS	FED. AID PROJECT		
CONTRACT NO. 97264				

DATE	BY	
REVISIONS		
NO.	DATE	DESCRIPTION

DATE	BY	
REVISIONS		
NO.	DATE	DESCRIPTION



H.M. & G. NO. 4690