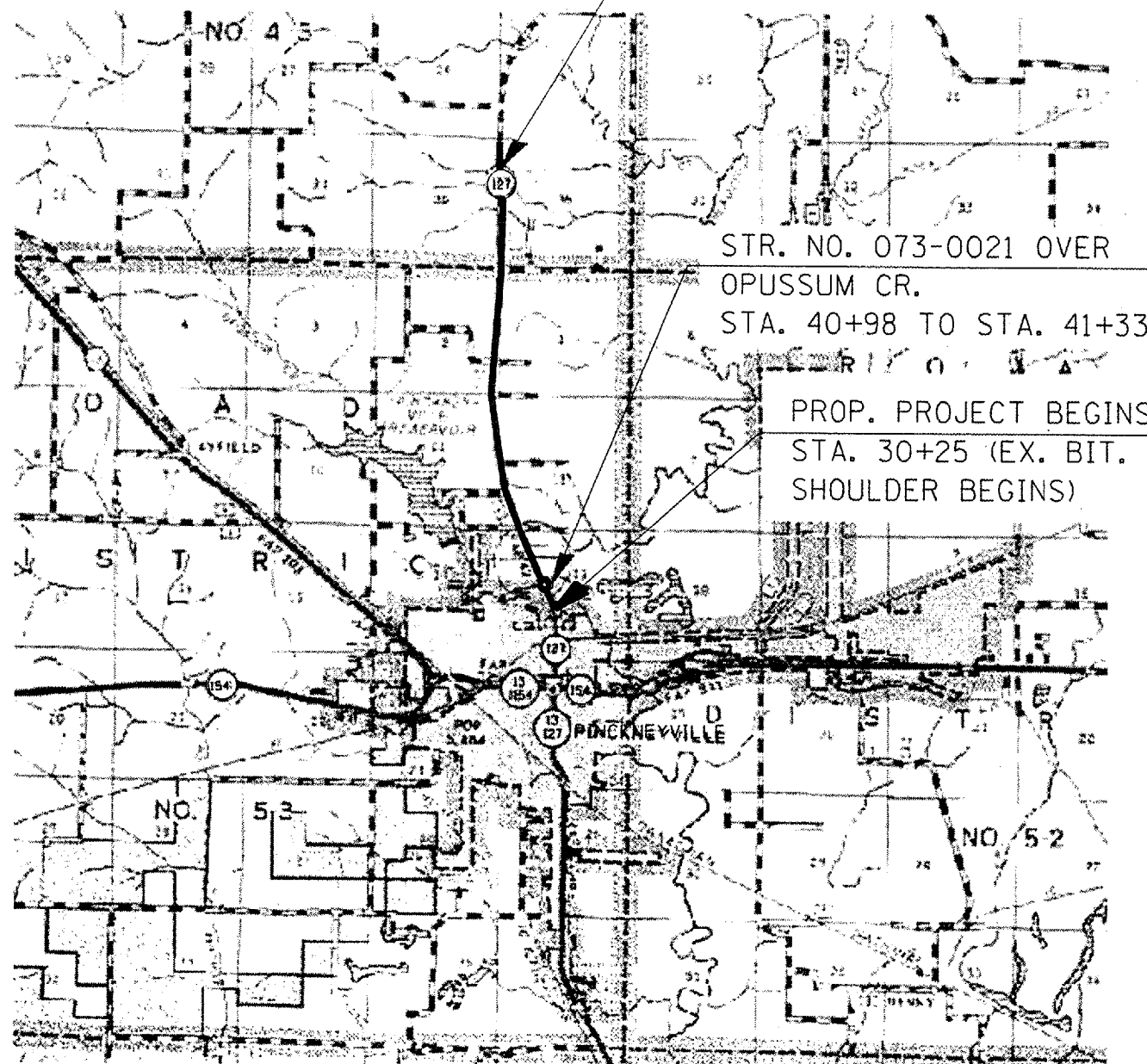
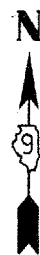


SECTION	COUNTY	TOTAL SHEETS	SHEET NO.
**	***	10	9

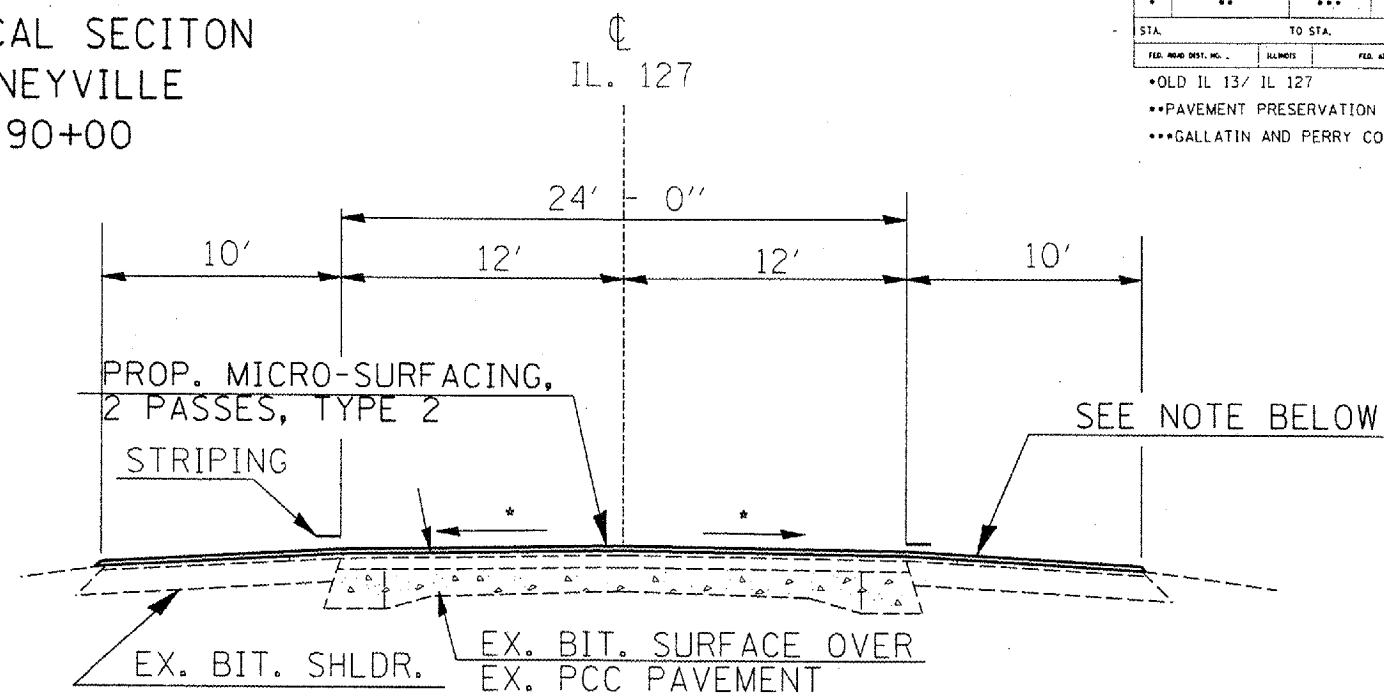
LOCATION 3 MAP AND TYPICAL SECTION  
 IL. 127 NORTH OF PINCKNEYVILLE  
 STA. 30+25 TO STA. 190+00

PROP. PROJECT ENDS  
 STA. 190+00



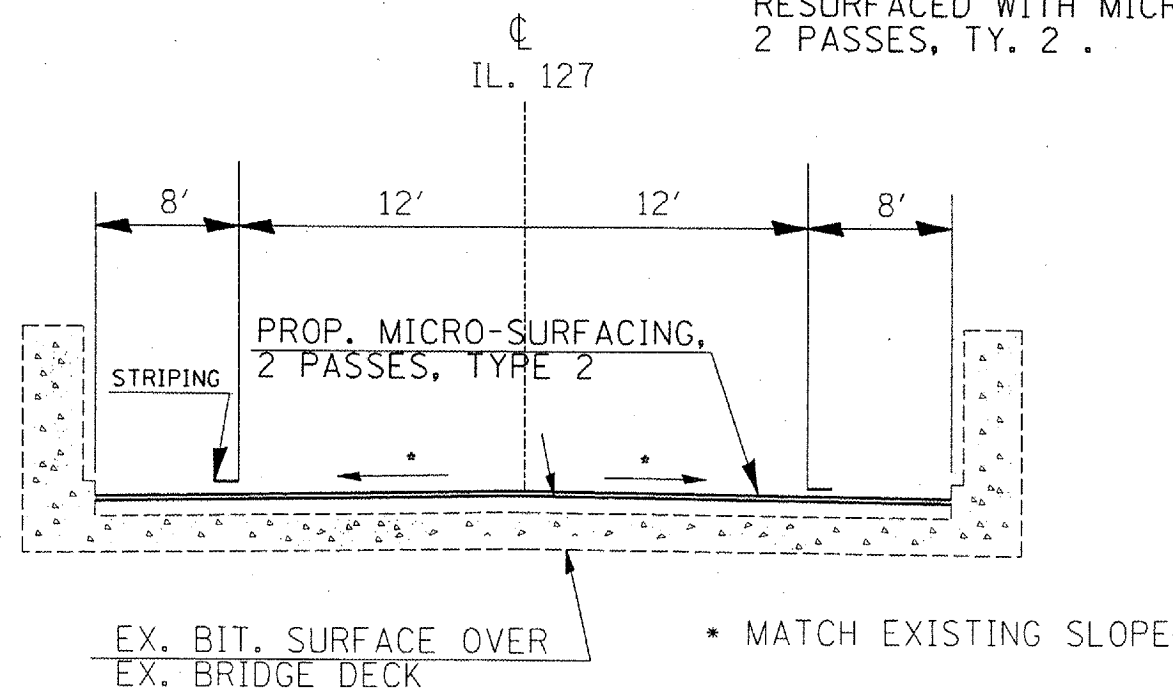
STR. NO. 073-0021 OVER  
 OPUSSUM CR.  
 STA. 40+98 TO STA. 41+33

PROP. PROJECT BEGINS  
 STA. 30+25 (EX. BIT.  
 SHOULDER BEGINS)



TO BE USED:  
 STA. 30+25 TO STA. 40+98  
 STA. 41+33 TO STA. 190+00

NOTE: EX. BIT. SHOULDERS TO BE  
 RESURFACED WITH MICRO-SURF.,  
 2 PASSES, TY. 2 .



TO BE USED:  
 STA. 40+98 TO STA. 41+33