

THIS DRAWING PRODUCED ON THE GREAT LAKES REGION INFORMATION SYSTEM

8 7 6 5 4 3 2 1

H

G

F

E

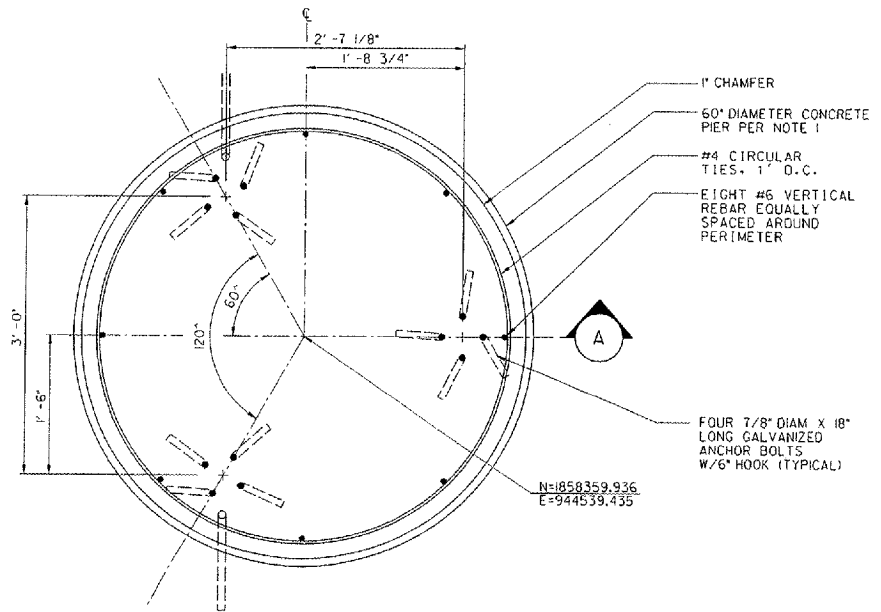
D

C

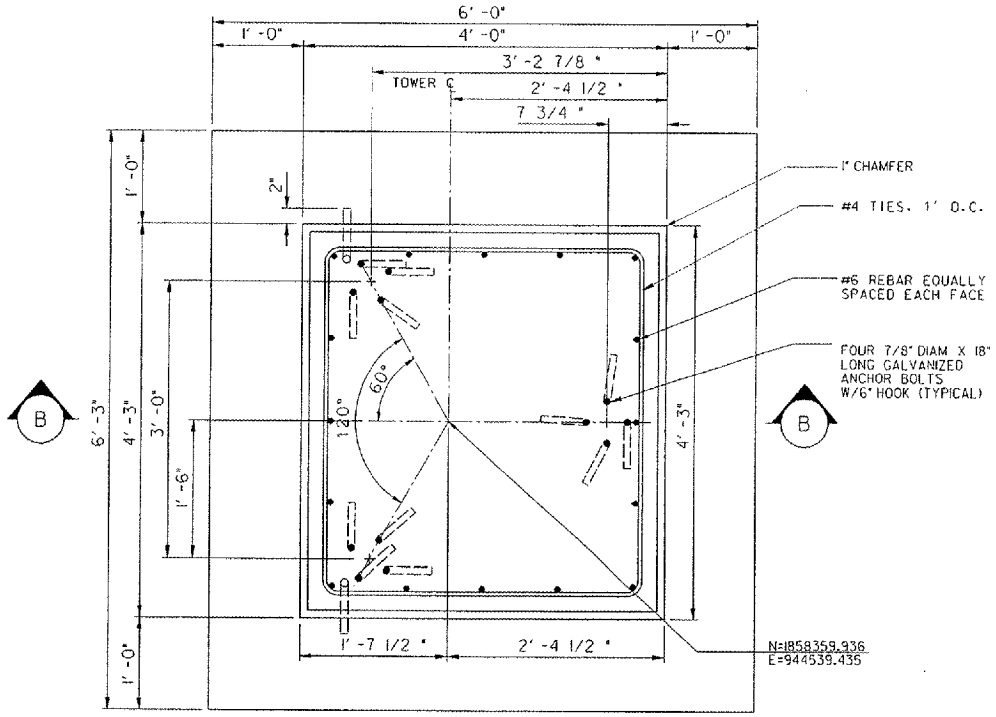
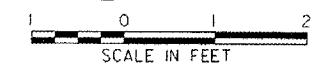
B

A

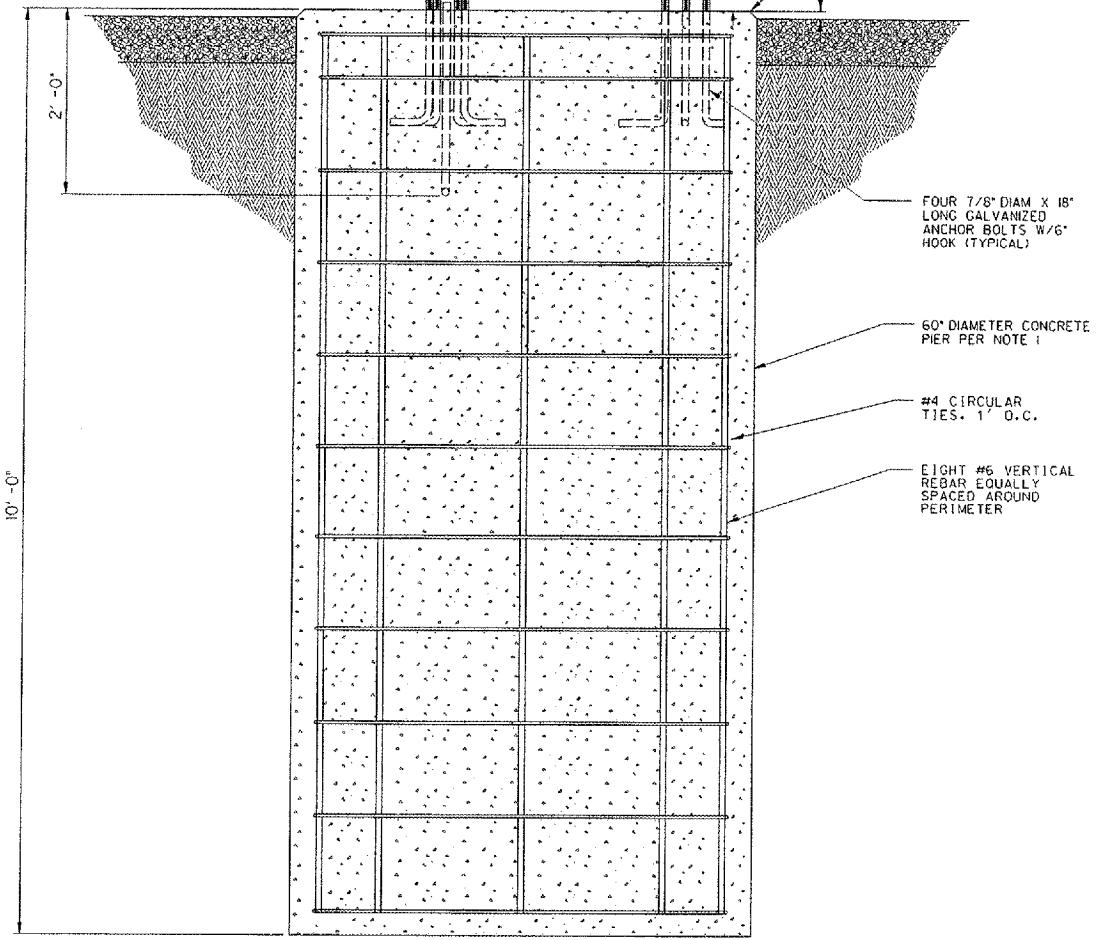
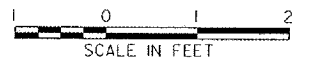
8



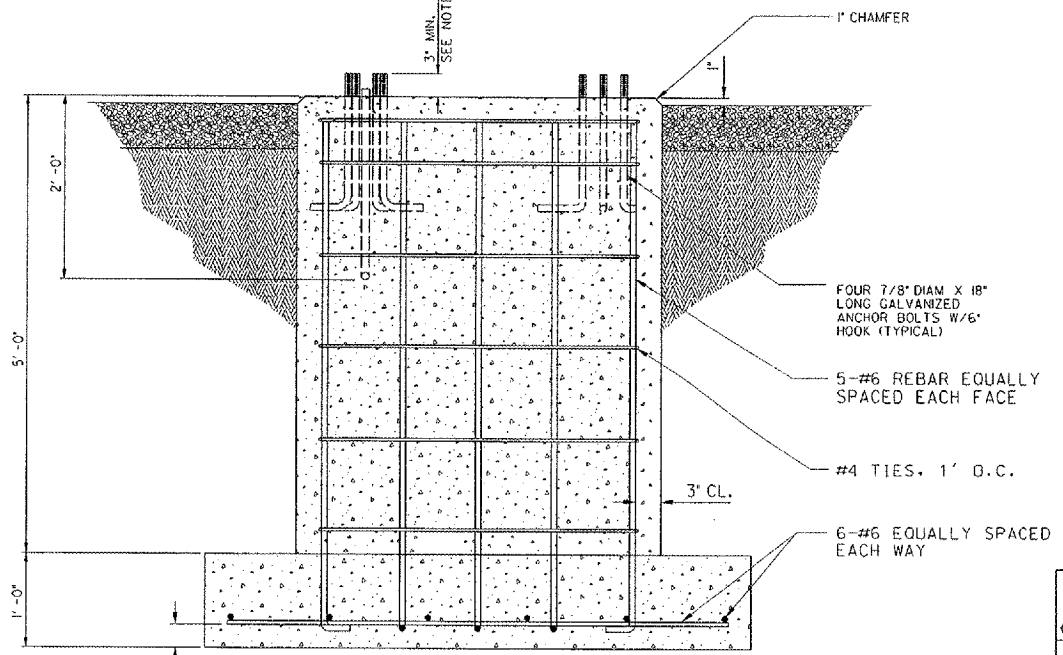
PLAN  
OPTIONAL CONCRETE PIER FOUNDATION  
DETAIL  
1



PLAN  
OPTIONAL CONCRETE BLOCK FOUNDATION  
DETAIL  
2



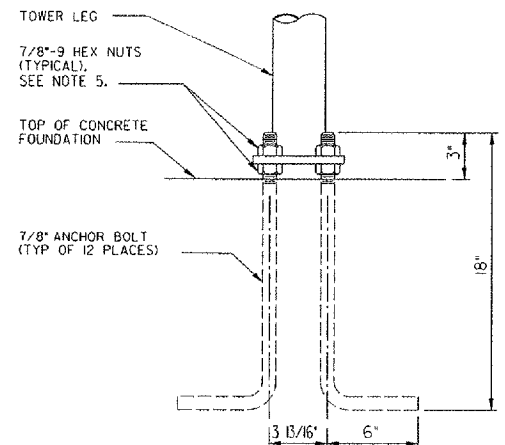
ELEVATION  
SECTION  
A



ELEVATION  
SECTION  
B

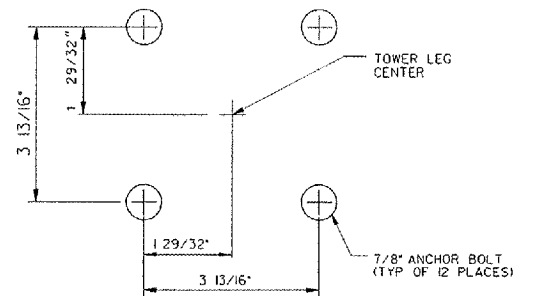
NOTES:

- SEE DWG ARR-D-GS33-COIFOR FOUNDATION LOCATION AND TOP ELEVATION.
- HORIZONTAL TOLERANCES FOR GLIDE SLOPE ANTENNA MAST ANCHOR BOLTS ARE +/- 1/16" OF DIMENSIONS SHOWN. VERIFY ANCHOR BOLT TEMPLATE WITH REFERENCE TO TOWER BASE PRIOR TO PLACING CONCRETE.
- REFER TO PROJECT SPECIAL REVISIONS FOR EXCAVATION DETAILS.
- REFER TO PROJECT SPECIAL REVISIONS FOR CONCRETE DETAILS.
- TOWER IS GROUTED UNDER ALL ANCHOR PLATES AFTER FINAL LEVELING ADJUSTMENT.



ANCHOR BOLT LAYOUT

DETAIL  
3  
SCALE: NONE



ANCHOR BOLT LAYOUT

DETAIL  
4  
SCALE: NONE

SHEET 47 OF 67

DEPARTMENT OF TRANSPORTATION  
FEDERAL AVIATION ADMINISTRATION  
GREAT LAKES REGION CHICAGO, ILLINOIS

GLIDE SLOPE  
ANTENNA TOWER FOUNDATION DETAILS

AURORA		AURORA MUNICIPAL AIRPORT		IL
REVIEWED BY	SUBMITTED BY	APPROVED BY		
DESIGNED	ISSUED BY	PLATFORM MGR.	CLELAND MICHEEL	
DRAWN	DATE	DATE	02/27/2006	JCN
CHECKED	TAD	IMPLEMENTATION CENTER	DRAWING NO.	REV
	EGS		ARR-D-GS33-C02	

REV	DATE	DESCRIPTION	JCN	REDLINE DATE	APVD

P:\Aurora\0428504\Draw\Sheets\FAA\US\DOT\5-10-06\ARR-D-GS33-C01.dgn  
5/10/2006 5:05:17 PM  
NAME

8 7 6 5 4 3 2 1

H

G

F

E

D

C

B

A

1