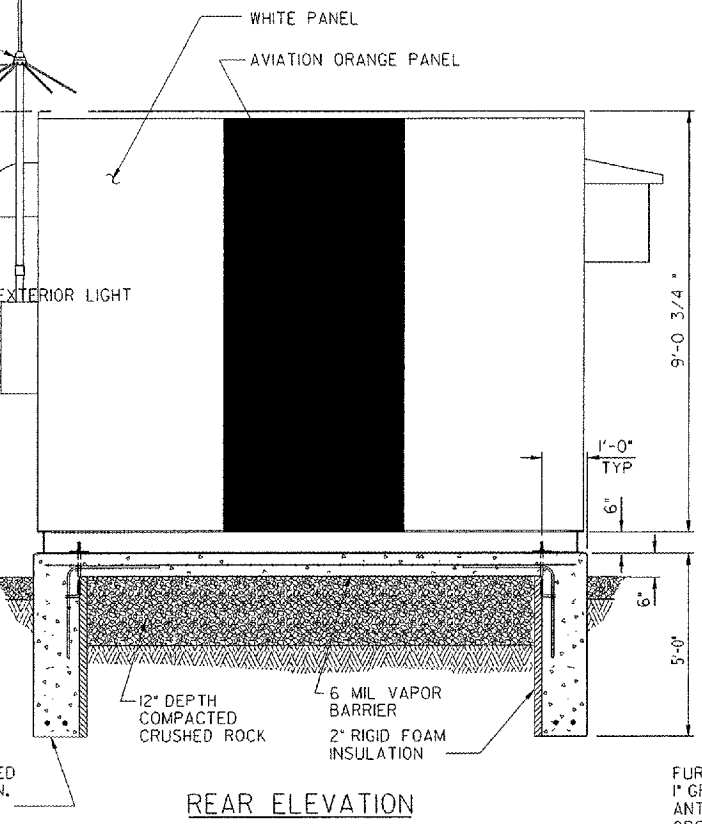
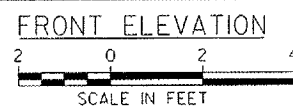
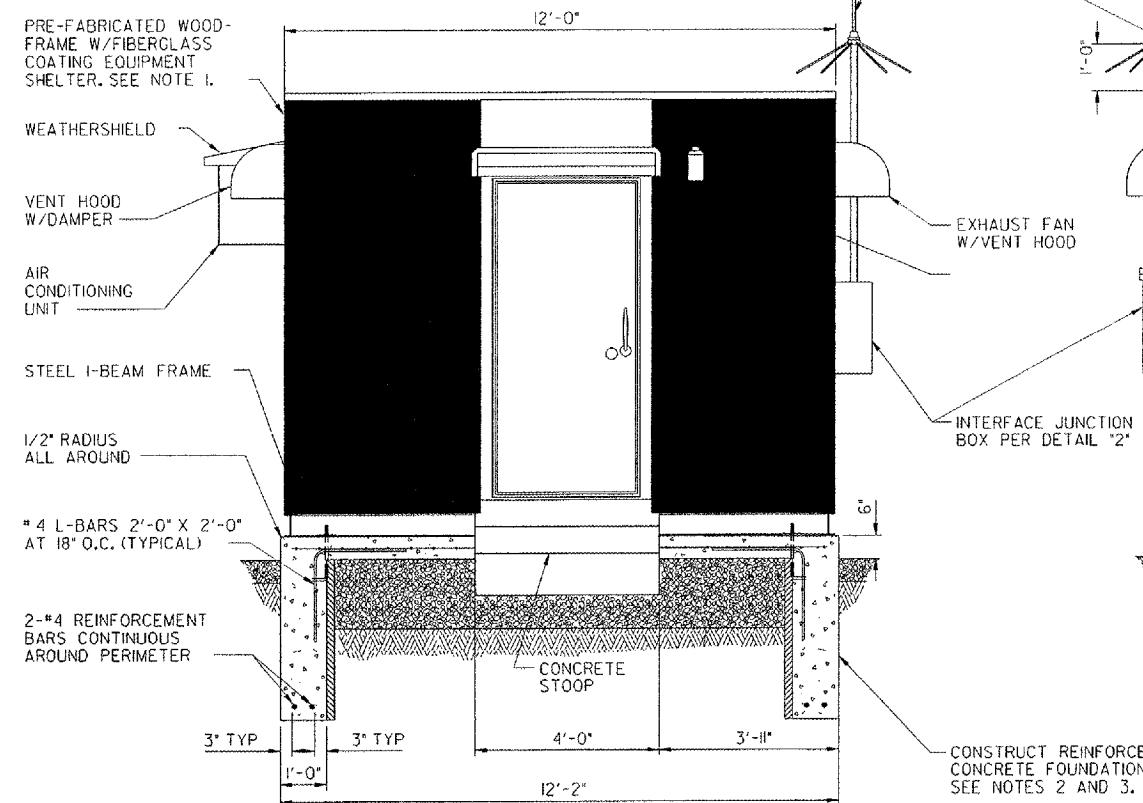


THIS DRAWING PRODUCED ON THE GREAT LAKES REGION MICROSTATION SYSTEM

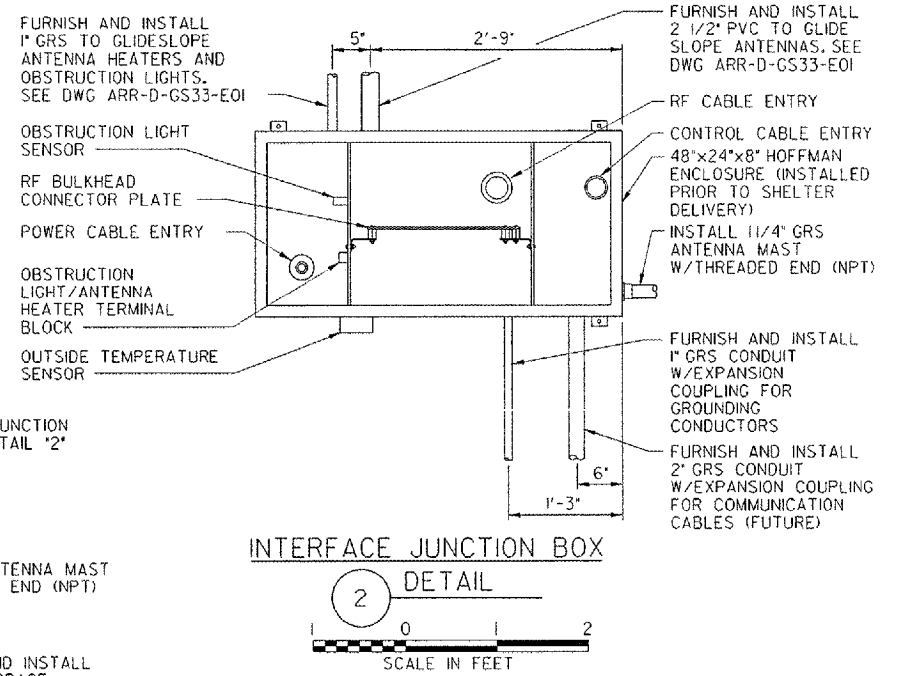
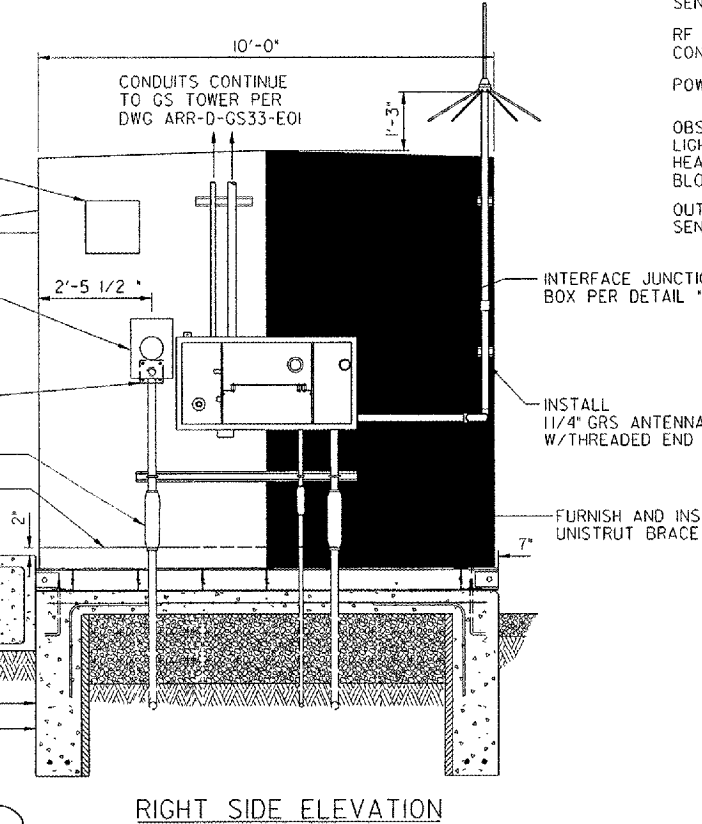
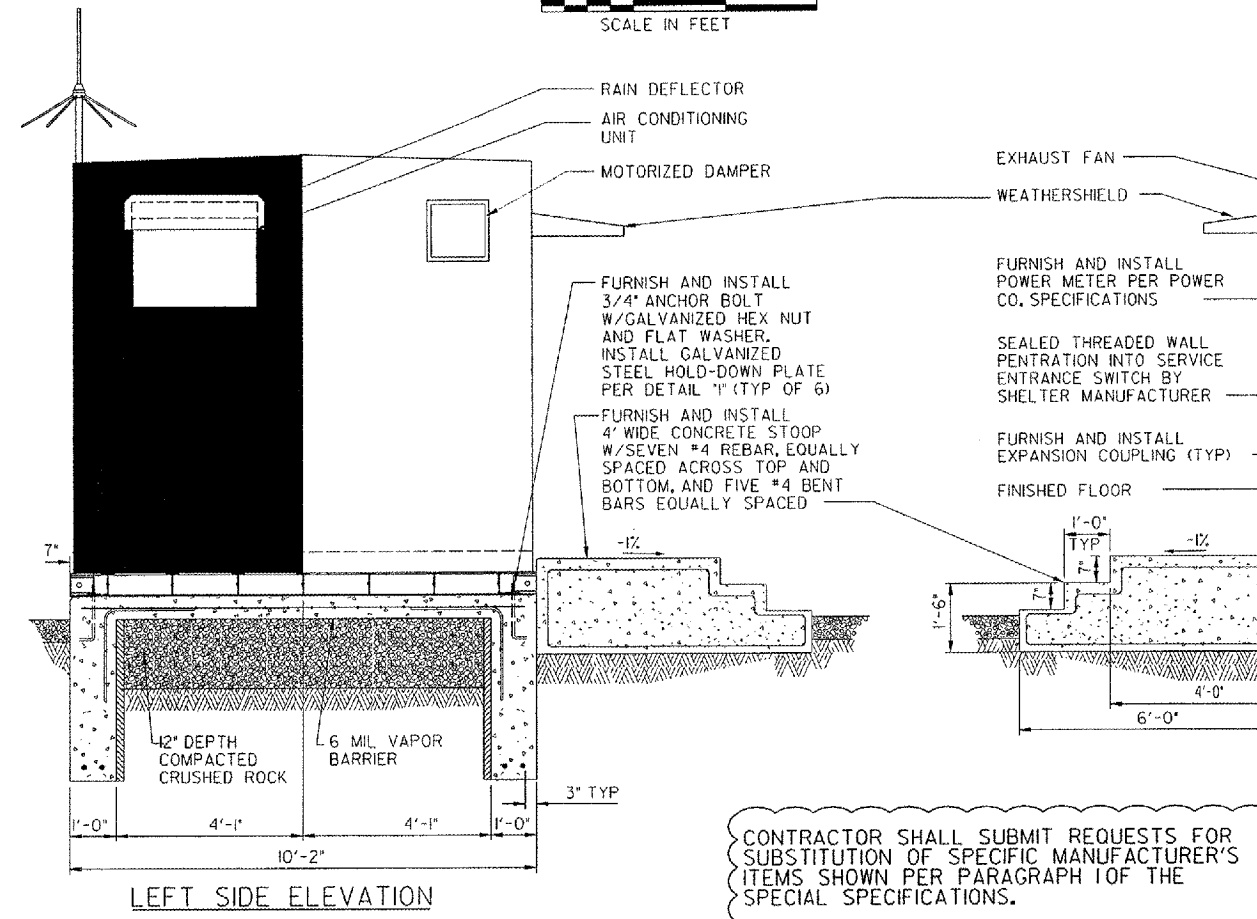
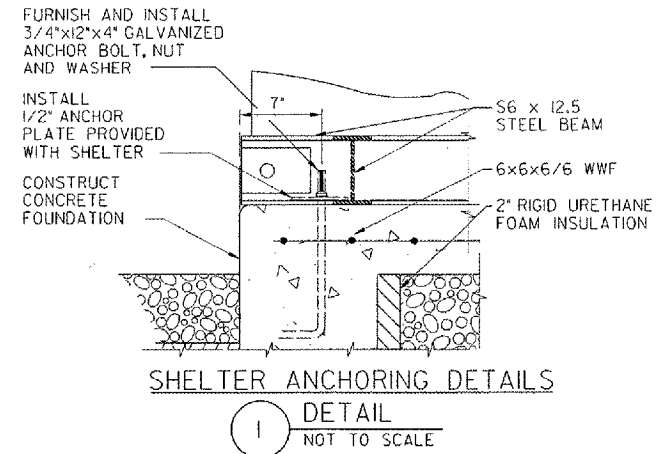
8 7 6 5 4 3 2 1

H
G
F
E
D
C
B
A

H
G
F
E
D
C
B
A



- NOTES:**
1. PREFABRICATED EQUIPMENT SHELTER WILL BE DELIVERED TO THE AIRPORT PER THE LOCAL FAA SECTOR FIELD OFFICE'S INSTRUCTIONS. CONTRACTOR SHALL CONTACT MR. DAN GEIST AT (815) 509-3200 TO ARRANGE PICK-UP OF THE SHELTER FROM ITS STORAGE LOCATION AND RELOCATION TO THE SITE.
 2. REFER TO PROJECT SPECIAL PROVISIONS FOR EXCAVATION DETAILS.
 3. REFER TO PROJECT SPECIAL PROVISIONS FOR CONCRETE DETAILS.
 4. SHELTER IS DELIVERED TO SITE WITH ELECTRICAL LIGHTS, SWITCHES, RECEPTACLES, AND LOCALIZER EQUIPMENT RACK MOUNTED INSIDE. EXTERIOR ELEMENTS ARE TO BE INSTALLED BY THE CONTRACTOR AND ARE SHIPPED LOOSE INSIDE SHELTER. SEE GOVERNMENT-FURNISHED PROPERTY LIST (GFPL) FOR A COMPLETE LIST OF ITEMS DELIVERED WITH OR INSTALLED IN EQUIPMENT SHELTER.



CONTRACTOR SHALL SUBMIT REQUESTS FOR SUBSTITUTION OF SPECIFIC MANUFACTURER'S ITEMS SHOWN PER PARAGRAPH 1 OF THE SPECIAL SPECIFICATIONS.

SHEET 50 OF 67

DEPARTMENT OF TRANSPORTATION
FEDERAL AVIATION ADMINISTRATION
GREAT LAKES REGION CHICAGO, ILLINOIS

GLIDE SLOPE
EXTERIOR ELEVATIONS AND FOUNDATION
10' X 12' PRE-FABRICATED EQUIPMENT SHELTER

AURORA		AURORA MUNICIPAL AIRPORT		IL
REVIEWED BY	SUBMITTED BY	APPROVED BY		
DESIGNED	TAD	PLATFORM MGR.	CLELAND MICHEEL	
DATE	02/27/2006	DATE	JCN	
DRAWN	TAD	ISSUED BY	CHICAGO NAS	
CHECKED	ECS	IMPLEMENTATION	CENTER	
		DRAWING NO.	ARR-D-GS33-A01	REV

REV	DATE	DESCRIPTION	JCN	REDLINE DATE	APV

P:\Aurora\10-28501-00\Drawings\Sheets\FAA_ILS\000's_CMT.mxd, 5-10-06\10-28501-00-GS33-A01.dwg
5/10/2006 5:03:25 PM BIMBAE
A01737

8 7 6 5 4 3 2 1

SHEET OF