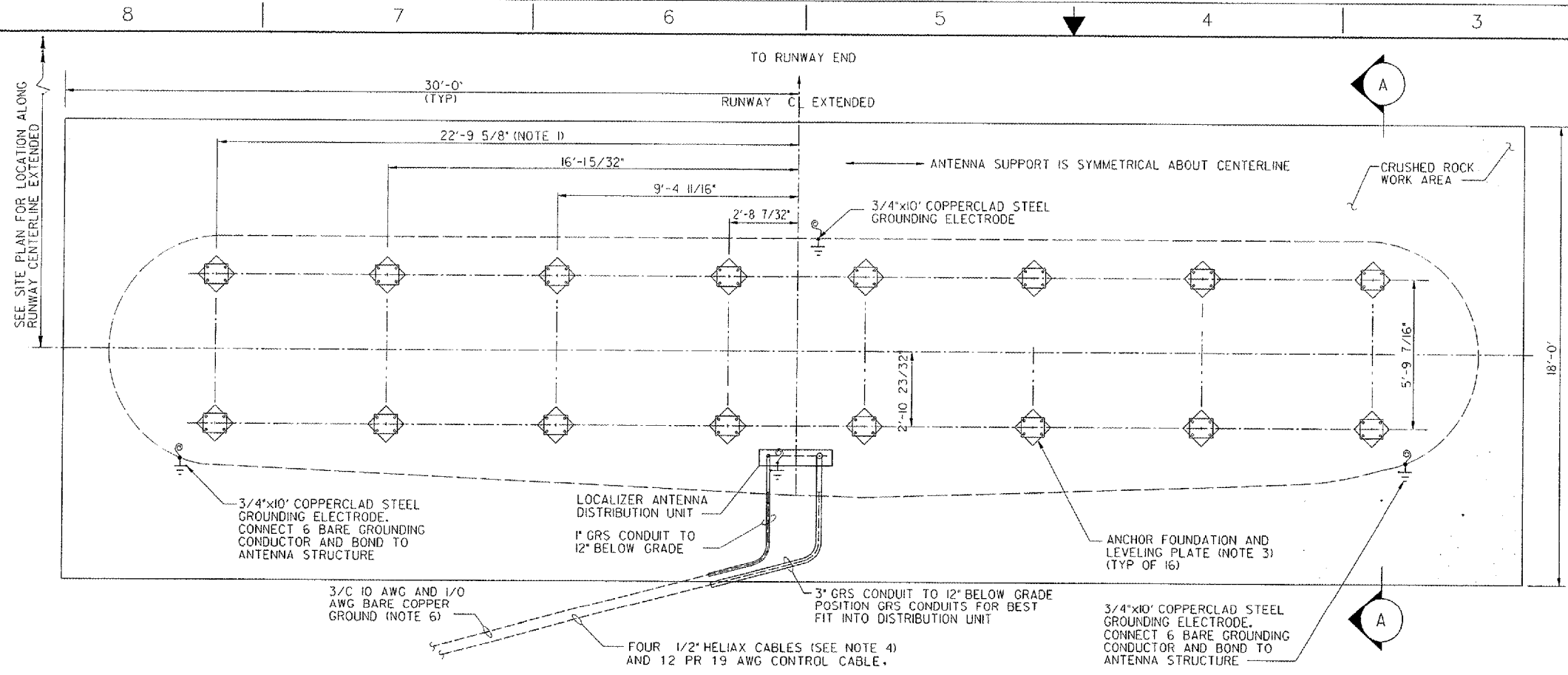


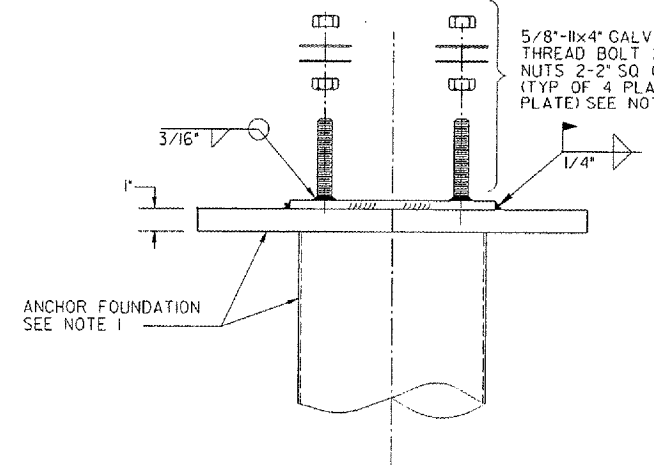
THIS DRAWING PRODUCED ON THE GREAT LAKES REGIONAL MODIFICATION SYSTEM



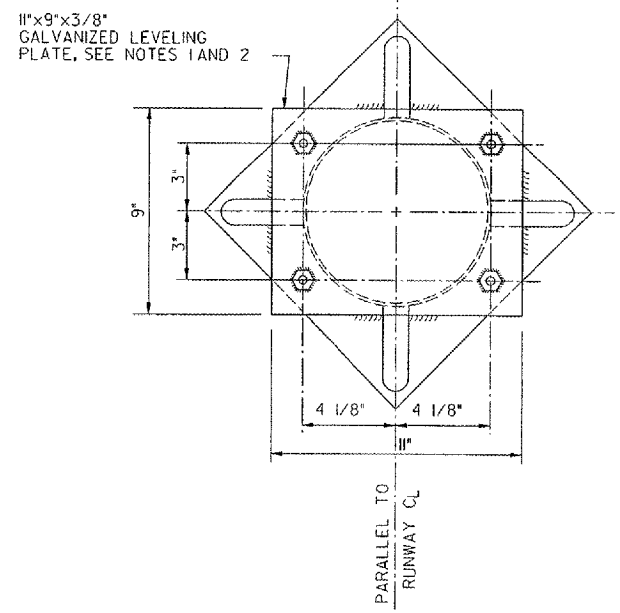
LOCALIZER ANCHOR FOUNDATION LAYOUT PLAN
SCALE: NONE

NOTES:

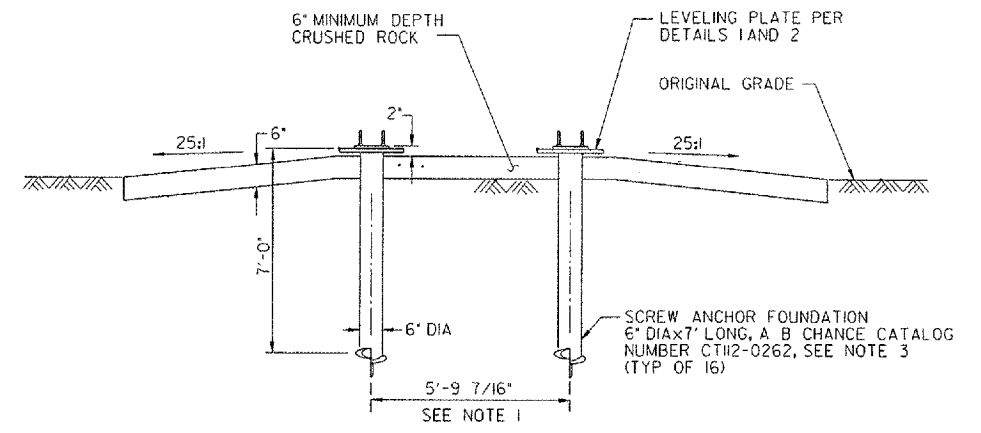
1. SCREW ANCHOR FOUNDATIONS SHALL BE LOCATED WITHIN $\pm 2"$ OF DIMENSIONS SHOWN. LEVELING PLATE SHALL BE WELDED TO EACH FOUNDATION TOP AFTER PLATE CENTER IS LOCATED WITHIN $\pm 1/8"$ OF DIMENSIONS SHOWN.
2. ALL SCREW ANCHOR FOUNDATION TOPS SHALL BE INSTALLED TO THE SAME ELEVATION WITHIN $1/8"$ MAXIMUM TOTAL VARIATION.
3. LONGITUDINAL CENTERLINE OF ANTENNA ARRAY SHALL BE PERPENDICULAR TO RUNWAY CENTER-LINE WITHIN ~ 0.05 DEGREES. CENTER OF ANTENNA ARRAY SHALL BE ON RUNWAY CENTERLINE EXTENDED WITHIN $\sim 3"$.
4. 15' COILS OF ALL SIGNAL AND CONTROL CABLES SHALL BE LEFT AT THE DISTRIBUTION UNIT FOR TERMINATION BY FAA INSTALLATION PERSONNEL.
5. ALL BURIED CABLE CONNECTIONS SHALL BE MADE USING EXOTHERMIC WELDS PER SPECIFICATION FAA-GL-918C.
6. TERMINATE POWER CONDUCTORS INSIDE DISTRIBUTION UNIT FOR OBSTRUCTION LIGHTING AND CONVENIENCE OUTLET.



1 **DETAIL - LEVELING BOLT**
SCALE: NONE



2 **DETAIL**
SCALE: NONE
(TYP OF 16)



A **SECTION**
SCALE: NONE

CONTRACTOR SHALL SUBMIT REQUESTS FOR SUBSTITUTION OF SPECIFIC MANUFACTURER'S ITEMS SHOWN PER PARAGRAPH 1 OF THE SPECIAL SPECIFICATIONS.

REV	DATE	DESCRIPTION	JCN	REDLINE DATE	APVD

SHEET 64 OF 67

DEPARTMENT OF TRANSPORTATION
FEDERAL AVIATION ADMINISTRATION
GREAT LAKES REGION CHICAGO, ILLINOIS

LOCALIZER
MK-1F ANTENNA ARRAY FOUNDATION
RUNWAY 09

AURORA		AURORA MUNICIPAL AIRPORT		IL
REVIEWED BY	SUBMITTED BY	APPROVED BY		
DESIGNED	TIMOTHY DYER	PLATFORM MGR. CLELAND MICHEEL		
DRAWN	ISSUED BY	DATE	02/27/2006	JCN
CHECKED	CHICAGO NAS IMPLEMENTATION CENTER	DRAWING NO	ARR-D-LOC09-C03	REV

G:\Aurora\0228504-00\0228504-00.dwg, 5/10/2006 5:12:03 PM NAME: AR27