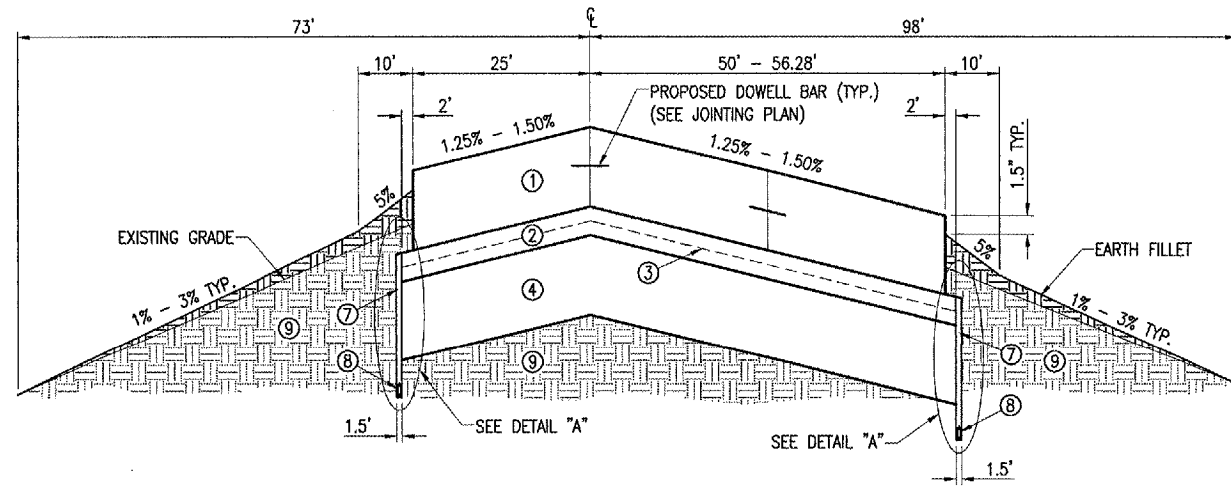


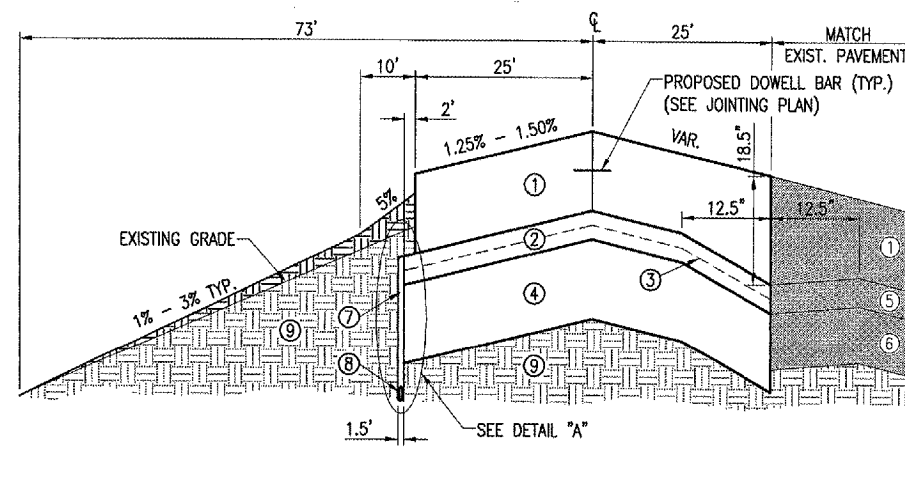
**LEGEND**

- ① PROPOSED AR501524: 14.5" PCC PAVEMENT
- ② PROPOSED AR201: 4" BITUMINOUS BASE COURSE
- ③ PROPOSED AR603: BITUMINOUS TACK COAT BETWEEN 2" BITUMINOUS LIFTS
- ④ PROPOSED AR155: SOIL PROCESSING - 16"
- ⑤ PROPOSED AR209: CRUSHED AGGREGATE BASE COURSE - 4"
- ⑥ PROPOSED AR208: OVERSIZE AGGREGATE - 8"
- ⑦ PROPOSED AR705: POROUS BACKFILL NO. 1
- ⑧ PROPOSED AR705: 6" PERFORATED UNDERDRAIN W/SOCK
- ⑨ EXISTING GROUND



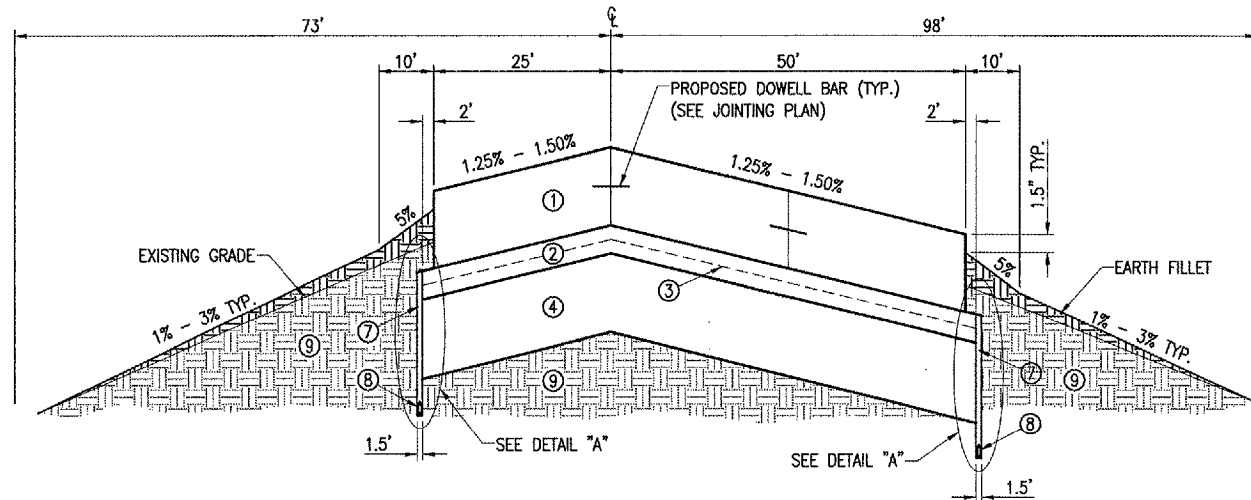
**PROPOSED TAXIWAY PAVEMENT - TYPICAL SECTION**

"NOT TO SCALE"  
STA. 127+05.35 TO STA. 127+63.42



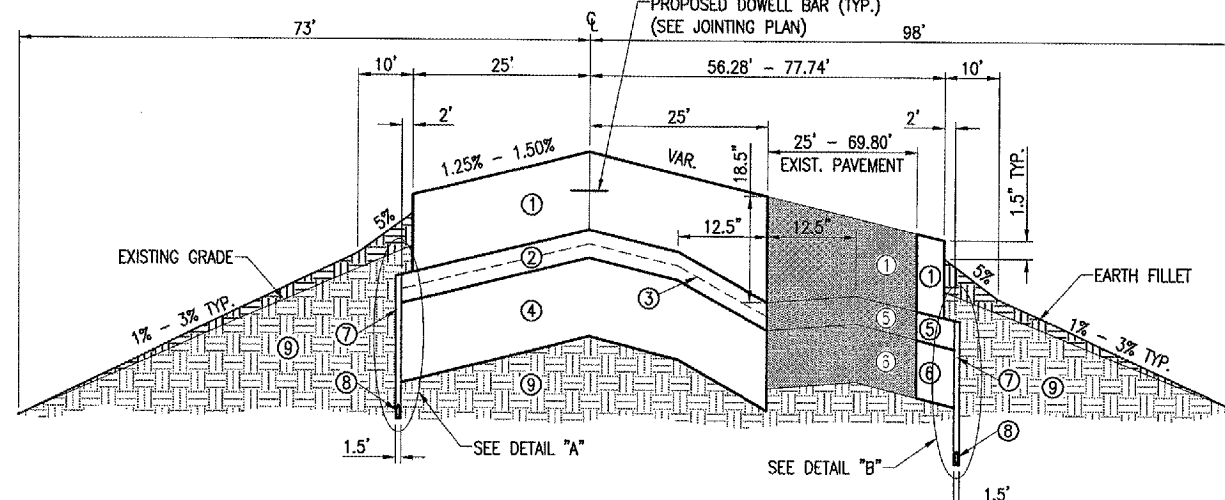
**PROPOSED TAXIWAY PAVEMENT - TYPICAL SECTION**

"NOT TO SCALE"  
STA. 129+61.82 TO STA. 131+75



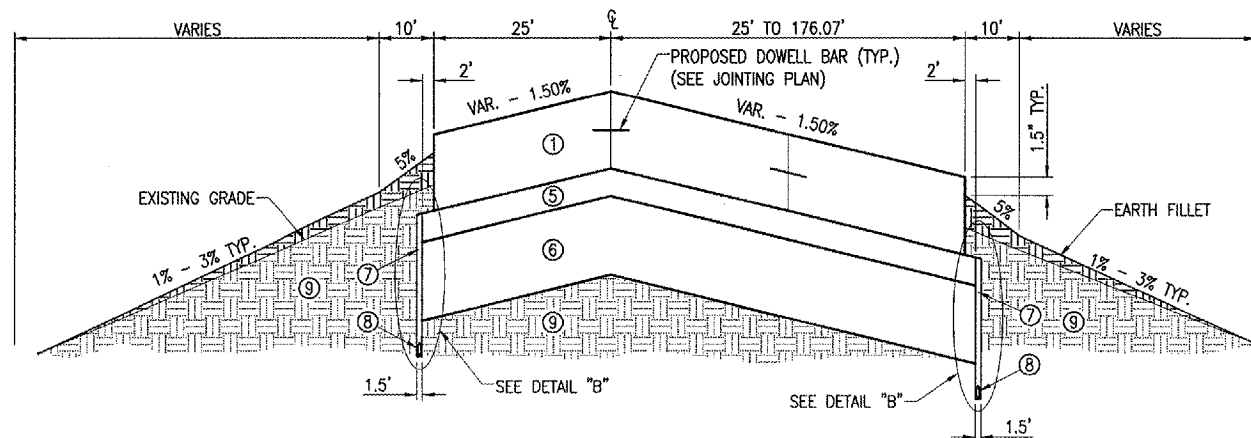
**PROPOSED TAXIWAY PAVEMENT - TYPICAL SECTION**

"NOT TO SCALE"  
STA. 119+63.25 TO STA. 127+05.35



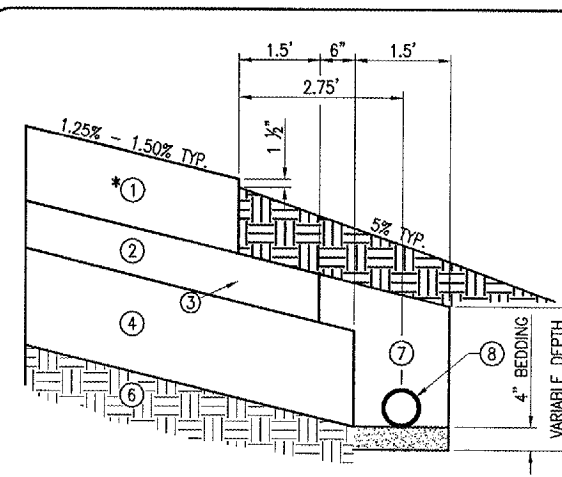
**PROPOSED TAXIWAY PAVEMENT - TYPICAL SECTION**

"NOT TO SCALE"  
STA. 127+63.42 TO STA. 129+61.82



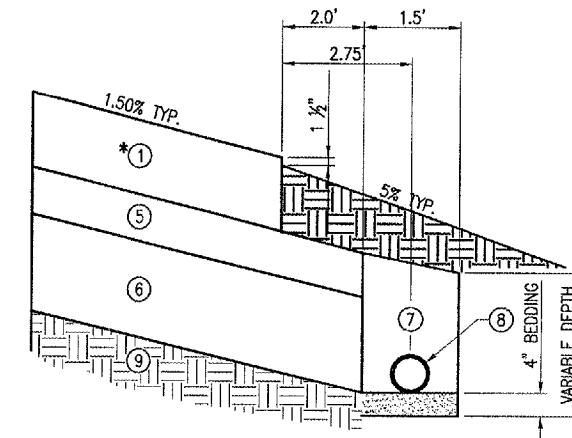
**PROPOSED TAXIWAY PAVEMENT - TYPICAL SECTION**

"NOT TO SCALE"  
6/24 RUNWAY EDGE (STA. 118+04.56 SKEW) TO STA. 119+63.25



**PROPOSED TAXIWAY PAVEMENT - DETAIL "A"**

"NOT TO SCALE"



**PROPOSED TAXIWAY PAVEMENT - DETAIL "B"**

"NOT TO SCALE"

APR. 28, 2006 11:51 AM RAW  
I:\AIRPORTS\DECATUR\B02-06TXY\_AIRPORT\ SHEETS\R-521TYP.DWG - SHEET 06

NO.	REVISION	DATE

**DECATUR, ILLINOIS**  
A.I.P. PROJ.: 3-17-00

HEL Project No.	802-06TXYD-0800
Drawn	R-521TYP.DWG
Scale	N/A
Date	02/08/06
LAYOUT	CCC 02/08/06
DRAWN	CCC 02/08/06
REVIEWED	WJM 03/31/06

**HANSON**  
Hanson Professional Services Inc.  
1525 South Sixth Street  
Springfield, Illinois 62705-2886  
Offices Nationwide

**TAXIWAY "C" RECONSTRUCTION**  
TYPICAL SECTIONS