

PRECAST 4'x4'x4' AIRPORT HANDHOLE NOTES

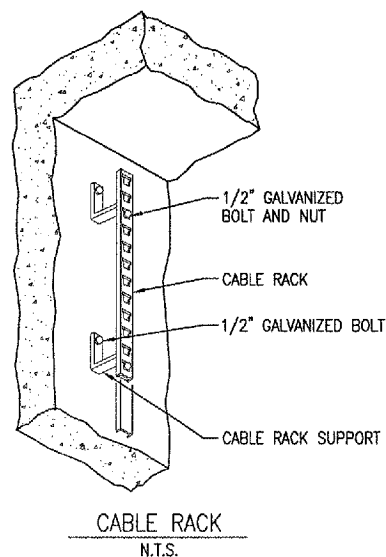
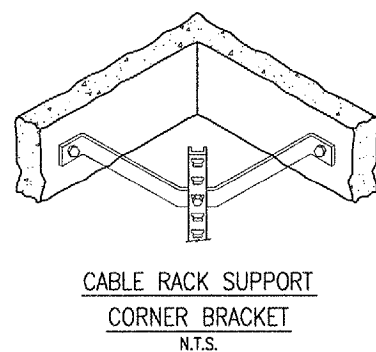
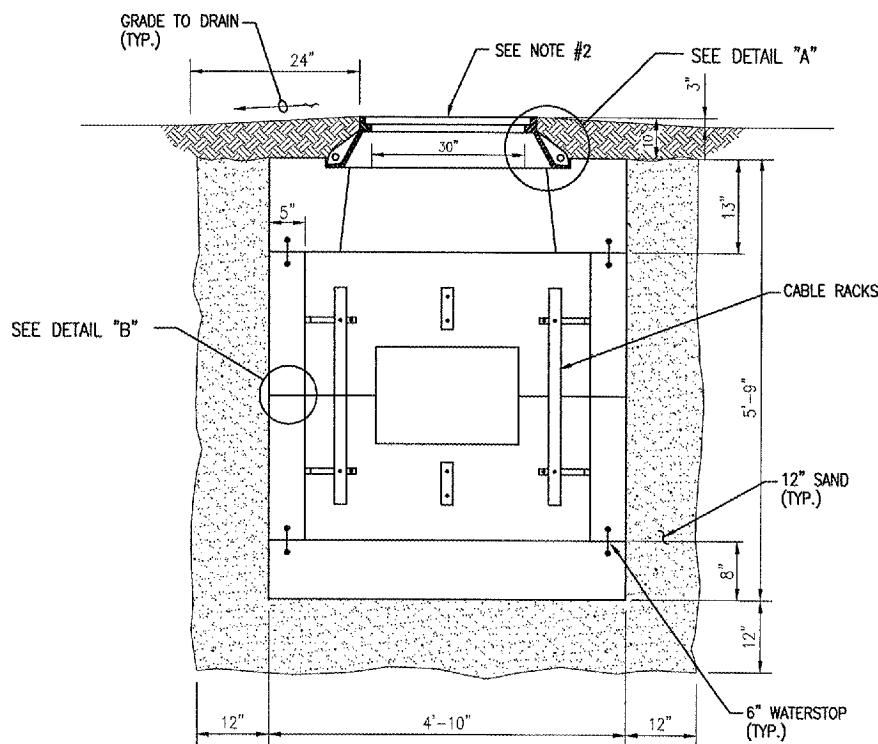
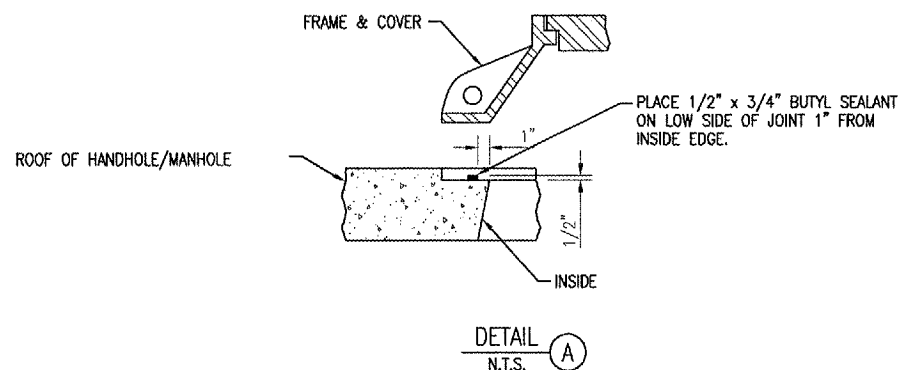
1. 4'x4'x4' AIRPORT HANDHOLE SHALL BE CONSTRUCTED TO MEET THE FOLLOWING:

DESIGN CRITERIA:

- 1) DESIGN SPECIFICATIONS: ACI 318, ASTM C858, FAA AC 150/5320-6D
- 2) DESIGN LOADING:
8727-200 (210,000 LB. TAXI WEIGHT, 97,600 LB. MAX. GEAR)
8777-200/300 (752,000 LB. TAXI WEIGHT, 352,000 LB. MAX. GEAR)
- 3) LIVE LOAD SURCHARGE: 24.5% OF THE WHEEL LOAD SOIL PRESSURE
- 4) CONCRETE COMPRESSIVE STRENGTH: $f'_c = 5,000$ PSI
- 5) REINFORCING STEEL: ASTM A706, $F_y = 60,000$ PSI


DESIGN ASSUMPTIONS:

- 1) GROUND WATER LEVEL: 3'-6" BELOW GRADE
 - 2) EARTH COVER: 0'-8" - 2'-0"
 - 3) LIVE LOAD IMPACT: $I = 20\%$
 - 4) COEFFICIENT OF ACTIVE EARTH PRESSURE: $K_a = 0.3$
 - 5) SPECIFIC WEIGHT OF STD. AGGREGATE CONCRETE: 150 PCF
 - 6) SPECIFIC WEIGHT OF DRY EARTH: 100 PCF
 - 7) SPECIFIC WEIGHT OF SATURATED EARTH: 120 PCF
 - 8) EQUIVALENT FLUID PRESSURE OF DRY EARTH: 30 PSF
 - 9) EQUIVALENT FLUID PRESSURE OF SATURATED EARTH: 80 PSF
2. AIRPORT HANDHOLE FRAME & LID SHALL BE CAPABLE OF WITHSTANDING MINIMUM 100,000 POUND LOADS AS CALLED FOR IN FAA ADVISORY CIRCULAR AC 150/5320-6D APPENDIX 3 ITEM 2.d. (1). AIRPORT HANDHOLE FRAME & LID SHALL BE NEENAH CATALOG NO. R-3492-A OR APPROVED EQUAL. LID SHALL BE LABELED "ELECTRIC".
 3. COORDINATE DUCT BANK INTERFACE & OPENINGS WITH THE HANDHOLE MFR. CONTRACTOR SHALL SLOPE DUCT BANK TO PRECAST HANDHOLE OPENINGS. ALL OPENINGS SHALL BE SEALED WATERTIGHT AFTER DUCT BANK INSTALLATION.
 4. 4'x4'x4' AIRPORT HANDHOLE SHALL BE MANUFACTURED BY HARTFORD CONCRETE PRODUCTS, INC., 1400 N. WABASH AVE., P.O. BOX 660, HARTFORD CITY, IN. 47348, PHONE 765-348-3506 OR 1-800-428-8110, OR APPROVED EQUIVALENT.
 5. 4'x4'x4' AIRPORT HANDHOLE SHALL BE PAID FOR UNDER ITEM AR110710 ELECTRICAL MANHOLE PER EACH.



4'x4'x4' AIRPORT HANDHOLE DETAILS
N.T.S.

REVISION	DATE	BY



DECATUR, ILLINOIS
 I.L. PROJ.: DEC-3588
 A.I.P. PROJ.: 3-17-00

H&E Project No. 802-06TX.DWG Element R-54 TELE.DWG Scale N/A Date 03/31/06	LAYOUT KNL 03/30/06 DRAWN MV 03/30/06 REVIEWED WJM 03/30/06
---	---



HANSON
 Hanson Professional Services Inc.
 1525 South Sixth Street
 Springfield, Illinois 62703-2888
 Offices Nationwide

TAXIWAY "C" RECONSTRUCTION
 ELECTRICAL DETAILS