

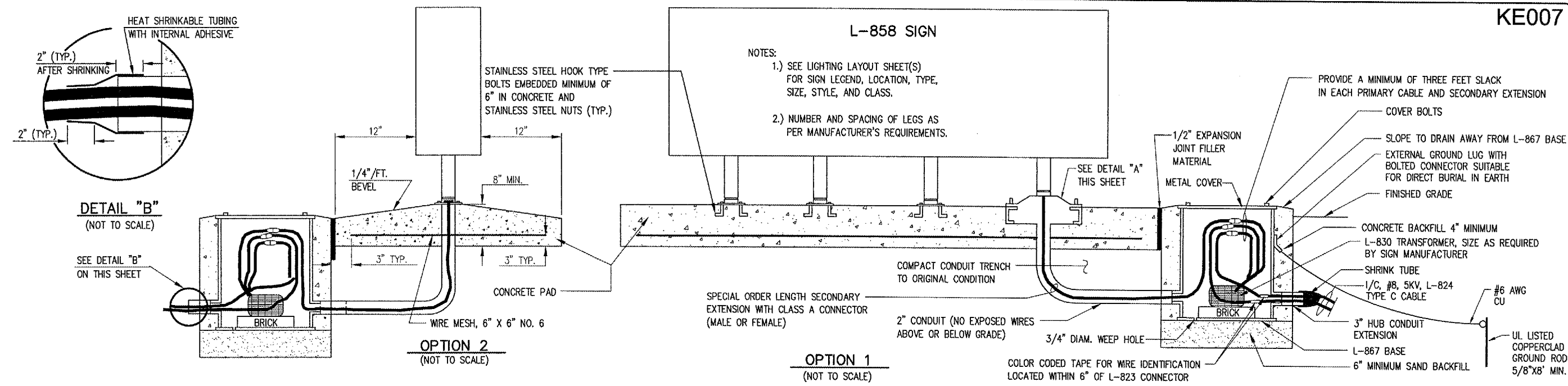
BY	
REVISION	
DATE	

Kewanee Municipal Airport
 Kewanee, Henry County, Illinois
 A.I.P. PROJ.: 3-17-0058-B10
 I.L. PROJ.: E21-3533

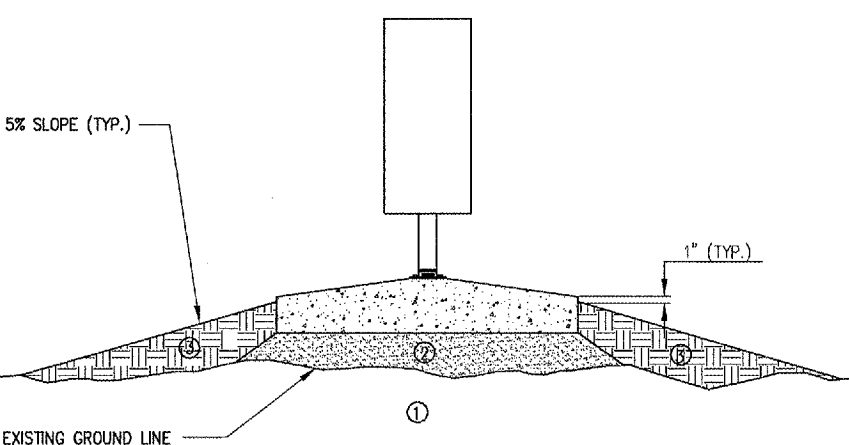
Project No.	810-06TXD-0800
Drawn	R-501ELDET.DWG
Scale	N/A
Date	09/02/05
LAYOUT	R.A.W. 09/02/05
DRAWN	B.A.K. 09/02/05
REVIEWED	C.A.H. 04/27/06

HANSON
 Hanson Professional Services Inc.
 3125 Dandy Trail, Suite 100
 Indianapolis, Indiana 46214
 Offices Nationwide

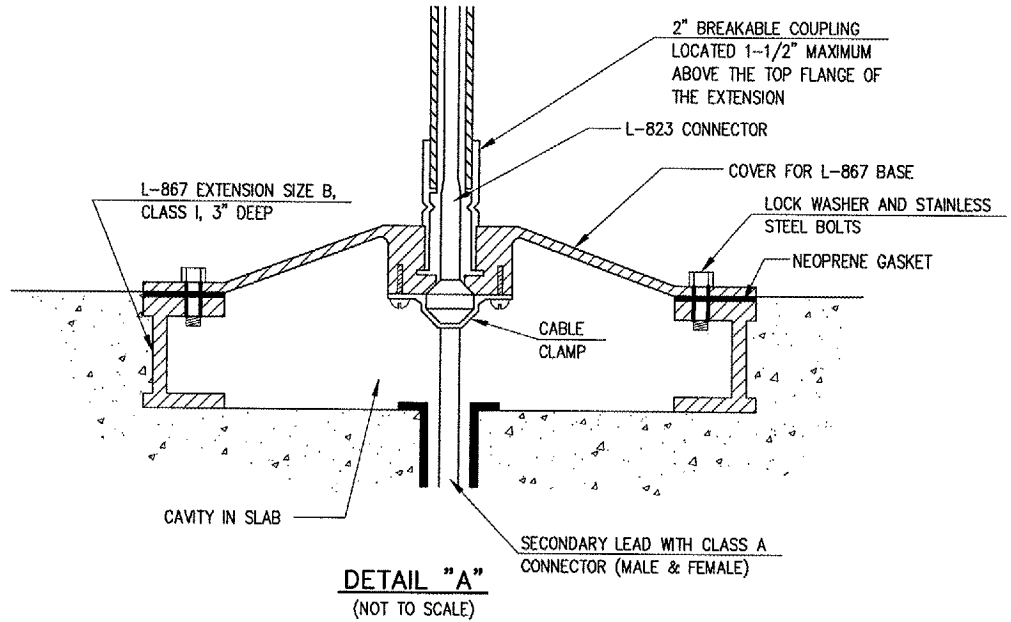
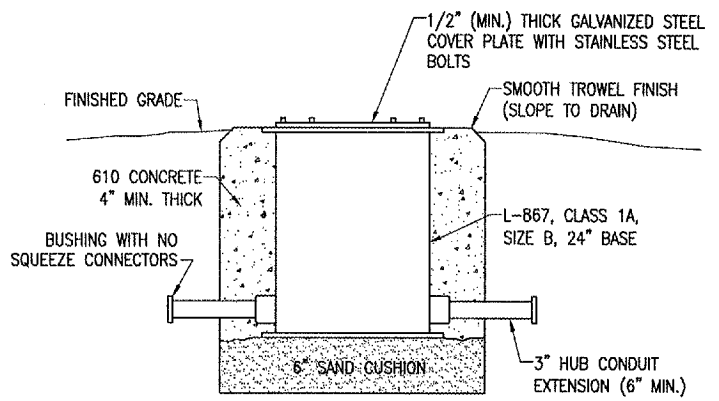
OVERLAY TAXIWAYS
 AND APRON
 ELECTRICAL DETAILS



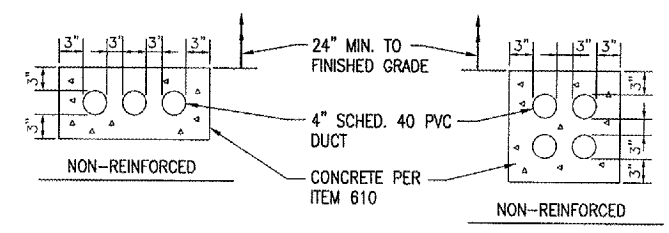
THE LOCATION OF UNDERGROUND UTILITIES AS INDICATED ON THE PLANS HAS BEEN OBTAINED FROM EXISTING RECORDS. NEITHER THE OWNER NOR THE ENGINEER ASSUMES ANY RESPONSIBILITY WHATSOEVER, IN RESPECT TO THE ACCURACY OR SUFFICIENCY OF THE INFORMATION AND THERE IS NO GUARANTEE, EITHER EXPRESSED OR IMPLIED, THAT THE CONDITIONS ARE REPRESENTATIVE OF THOSE TO BE ENCOUNTERED IN THE CONSTRUCTION.



- ① EXISTING SOD TO BE STRIPPED AND REMOVED
- ② SAND BACKFILL, VARIABLE DEPTH
- ③ PROPOSED TOPSOIL BACKFILL MATERIAL



- GENERAL NOTES**
1. SEE LIGHTING LAYOUT SHEET FOR SIGN LEGEND, LOCATION, TYPE, SIZE, STYLE, AND CLASS.
 2. SEE SHEETS 33 THROUGH 34 FOR ELECTRICAL NOTES.



- NOTES:
- 1.) ALL DIMENSIONS ARE MINIMUM.
 - 2.) INCLUDE DUCT SPACERS AS MANUFACTURED BY UNDERGROUND DEVICES INC., TO MAINTAIN PROPER SEPARATION OF CONDUITS.

