

BY	
REVISION	
DATE	

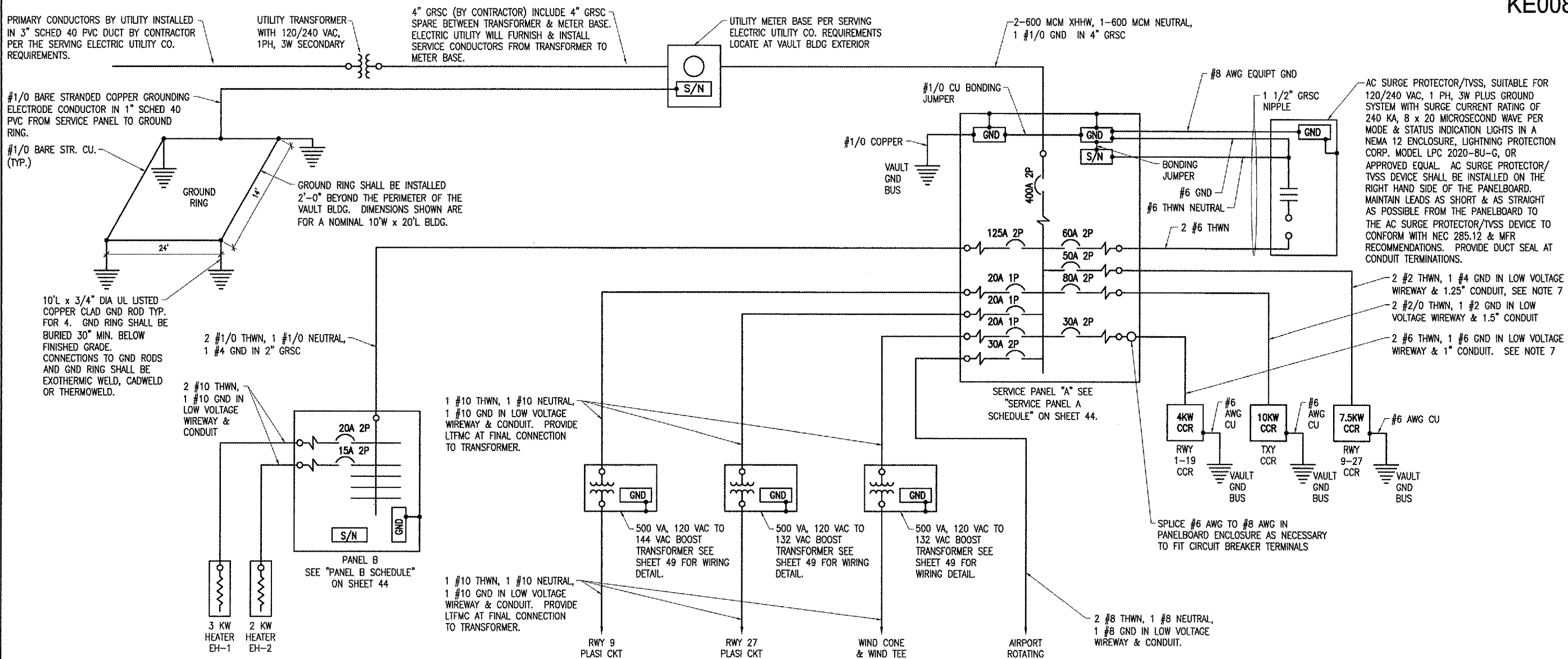
Kewanee Municipal Airport  
Kewanee, Henry County, Illinois

IL PROJ.: EZI-3586 A.I.P. PROJ.: 3-17-0058-812

REV. PROJECT NO.	810-06VLD
DATE	04/28/06
SCALE	NONE
DATE	09/23/05
LAYOUT	KNL
DATE	09/23/05
DRAWN	MV
DATE	01/17/06
REVIEWED	LDP



CONSTRUCT VAULT  
PROPOSED VAULT  
ELECTRICAL ONE-LINE  
DIAGRAM SHEET 1



- NOTES
- ALL VAULT WORK, AIRFIELD WORK, AND/OR POWER OUTAGES SHALL BE COORDINATED WITH THE AIRPORT MANAGER.
  - ALL ELECTRICAL EQUIPMENT SHALL BE INSTALLED IN CONFORMANCE WITH NFPA 70 (NEC MOST CURRENT ISSUE IN FORCE), THE RESPECTIVE EQUIPMENT MANUFACTURER'S DIRECTIONS AND ALL OTHER APPLICABLE LOCAL CODES, LAWS, ORDINANCES AND REQUIREMENTS IN FORCE. ANY INSTALLATIONS WHICH VOID THE U.L. LISTING, ETL LISTING, (OR OTHER THIRD PARTY LISTING) AND/OR THE MANUFACTURER'S WARRANTY OF A DEVICE SHALL NOT BE PERMITTED.
  - ALL EQUIPMENT SHOWN IS NEW UNLESS NOTED OTHERWISE.
  - COORDINATE ELECTRIC SERVICE WORK WITH THE SERVING ELECTRIC UTILITY COMPANY:  
AMEREN IP  
ATTN, MS. KATHY CROWELL  
1824 KNOX HIGHWAY 9  
GALESBURG, IL 61401  
PHONE: 309-852-2963  
FAX: 309-852-2946  
CELL PHONE: 309-368-6684
  - CONTRACTOR SHALL CONFIRM POWER REQUIREMENTS WITH THE ACTUAL NAMEPLATE ON EACH CONSTANT CURRENT REGULATOR AND ADJUST CIRCUIT BREAKER, WIRE SIZES & CONDUIT SIZES TO CONFORM WITH NEC & MANUFACTURER'S RECOMMENDATIONS WHERE APPLICABLE. WIRE SIZES SHOWN ON THE PLANS ARE MINIMUM.
  - SEE PANELBOARD SCHEDULES FOR ADDITIONAL REQUIREMENTS FOR EACH RESPECTIVE PANEL.
  - BRANCH CIRCUITS TO REGULATORS SHALL BE INSTALLED IN THE RESPECTIVE LOW VOLTAGE WIREWAY/DUCT, WITH GRSC AT TRANSITIONS AND UL LISTED LIQUID TIGHT FLEXIBLE METAL CONDUIT AT FINAL CONNECTIONS TO THE REGULATORS. CONDUITS SHALL BE SIZED IN ACCORDANCE WITH NEC.
  - BOND ALL REGULATORS TO THE RESPECTIVE VAULT GROUND BUS WITH A DEDICATED #6 AWG BONDING JUMPER FOR EACH REGULATOR.
  - LTFMC DENOTES LIQUID TIGHT FLEXIBLE METAL CONDUIT UL LISTED, SUNLIGHT RESISTANT, & SUITABLE FOR GROUNDING.

HIGH VOLTAGE & LOW VOLTAGE CIRCUITS SHALL NOT BE INSTALLED IN THE SAME RACEWAY

FURNISH & INSTALL A WEATHERPROOF WARNING LABEL FOR EACH METER SOCKET, PANELBOARD, LOAD CENTER, DISCONNECT & CONTROL PANEL TO WARN PERSONS OF POTENTIAL ELECTRIC ARC FLASH HAZARDS, PER THE REQUIREMENTS OF NEC 110.16 "FLASH PROTECTION".

NEW VAULT ELECTRICAL ONE-LINE DIAGRAM