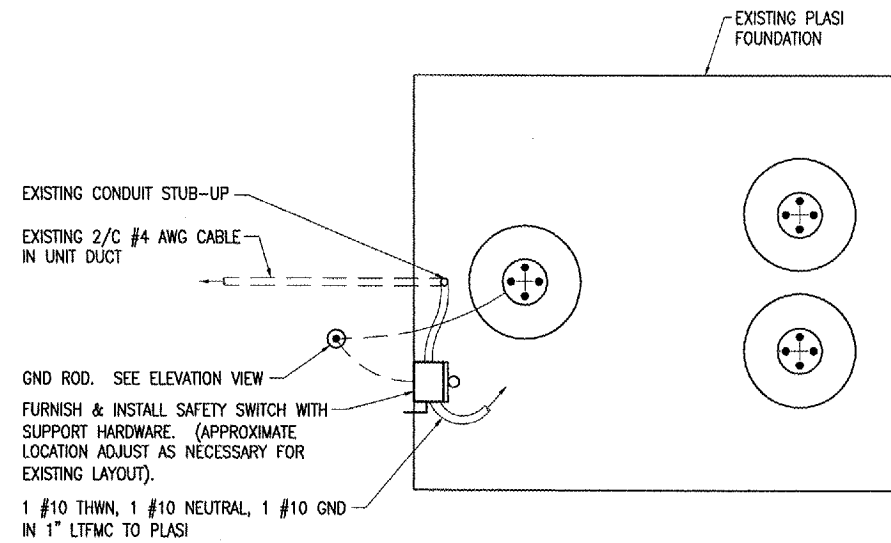
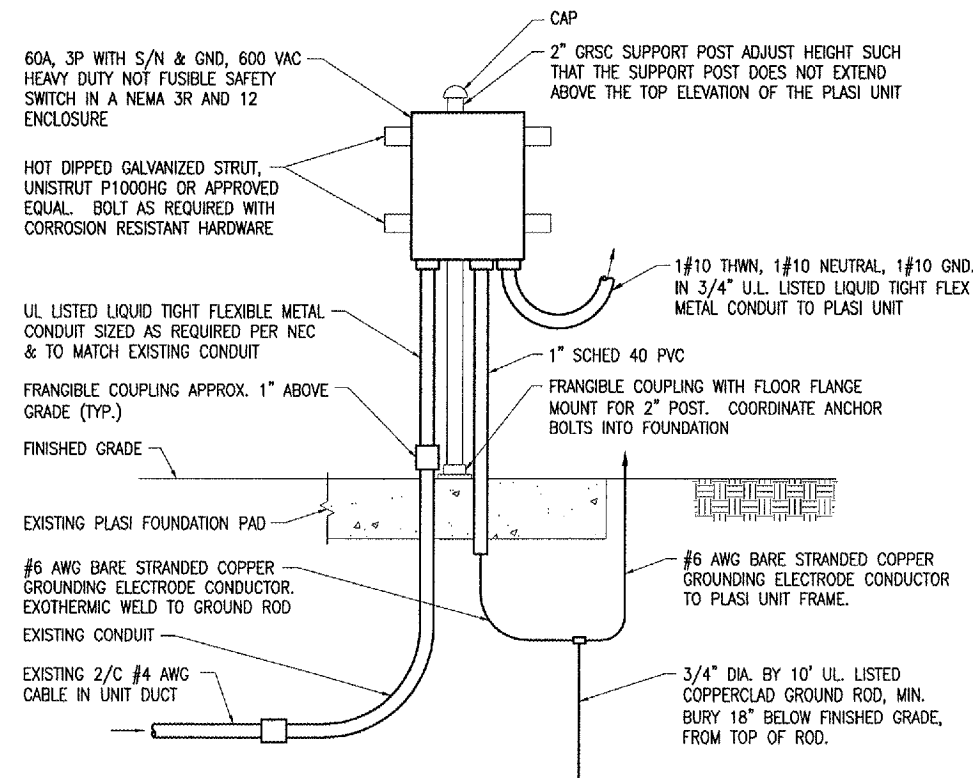


NOTES

1. PLASI UNITS LOCATED ON RUNWAY 9-27 ARE EXISTING. A HEAVY DUTY 60 AMP, 2 POLE OR 3 POLE WITH SOLID NEUTRAL & GND, 600 VAC NOT FUSIBLE SAFETY SWITCH IN A NEMA 3R AND 12 ENCLOSURE SHALL BE FURNISHED & INSTALLED AT EACH PLASI. 60 AMP SAFETY SWITCH IS REQUIRED TO ACCOMMODATE #4 AWG OR #2 AWG CONDUCTORS FOR LUG TERMINATIONS & WIRE BENDING SPACE. NEUTRAL SHALL BE BONDED TO GROUND IN SAFETY SWITCH & GND ROD SHALL BE INSTALLED TO CONFORM WITH NEC 250.32
2. LTFMC DENOTES LIQUID TIGHT FLEXIBLE METAL CONDUIT UL LISTED, SUITABLE FOR GROUNDING, AND SUNLIGHT RESISTANT. NEC 350.6 NOTES LIQUID TIGHT FLEXIBLE METAL CONDUIT AND ASSOCIATED FITTINGS SHALL BE LISTED. DO NOT INSTALL LTFMC THAT IS NOT UL LISTED.
3. CONTRACTOR SHALL FURNISH & INSTALL BOOST TRANSFORMERS FOR PLASI UNITS IN THE VAULT. BOOST TRANSFORMERS SHALL BE SIZED & CONNECTED TO PROVIDE THE PROPER VOLTAGE AT THE RESPECTIVE PLASI UNIT AS RECOMMENDED BY THE PLASI MANUFACTURER (DEVORE AVIATION CORPORATION, 6104 JEFFERSON BLVD, N.E., ALBUQUERQUE, NEW MEXICO 87109-3410, PHONE: 505-345-8713, FAX: 505-344-3835).
4. INSTALLATION OF THE SAFETY SWITCH AND ASSOCIATED CONDUIT, WIRING, FITTINGS, GROUNDING, & ACCESSORIES FOR EACH PLASI UNIT SHALL BE PAID FOR UNDER ITEM AR125989 REFURBISH PLASI PER EACH.
5. SEE SHEETS 38, 42, 43, & 49 FOR ADDITIONAL INFORMATION REGARDING PLASI CIRCUIT WIRING.

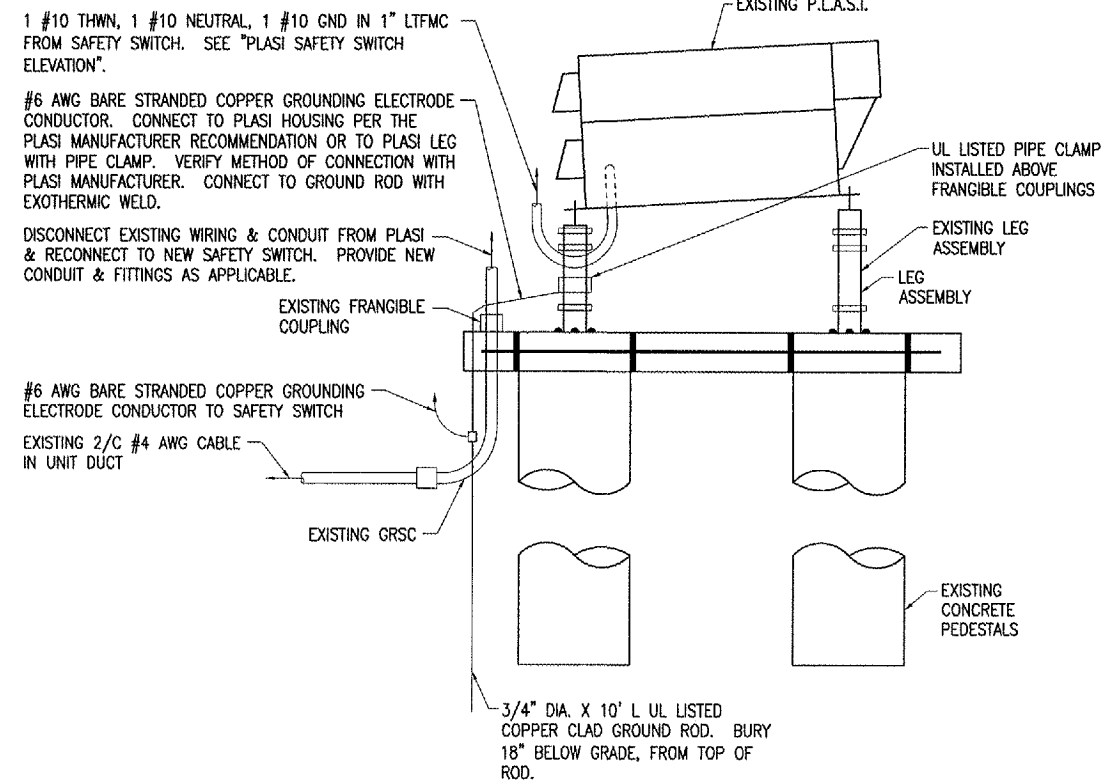


PLASI FOUNDATION PLAN VIEW



NOTE: SEE NEW ELECTRICAL ONE LINE DIAGRAM FOR VAULT AND PLASI FOR ADDITIONAL INFORMATION ON EQUIPMENT AND WIRING.

PLASI SAFETY SWITCH ELEVATION
"NOT TO SCALE"



PLASI ELEVATION

ALL WORK SHOWN ON THIS SHEET SHALL BE PAID FOR UNDER ITEM AR125989 - REFURBISH PLASI - PER EA.

DATE	REVISION	BY

KEWANEE MUNICIPAL AIRPORT
KEWANEE, HENRY COUNTY, ILLINOIS

ILL. PROJ.: E21-3586 A.I.P. PROJ.: 3-17-0058-812

IEL Project No. 810-08VLTID	FILED	DATE
Plans No. E-610.DWG	DATE	DATE
Scale NONE	DATE	DATE
Date 04/28/06	DATE	DATE
LAYOUT KNL 09/23/05	DATE	DATE
DRAWN MV 09/27/05	DATE	DATE
REVIEWED LDP 01/17/06	DATE	DATE



CONSTRUCT VAULT
PROPOSED
PLASI WIRING DETAILS
& NOTES