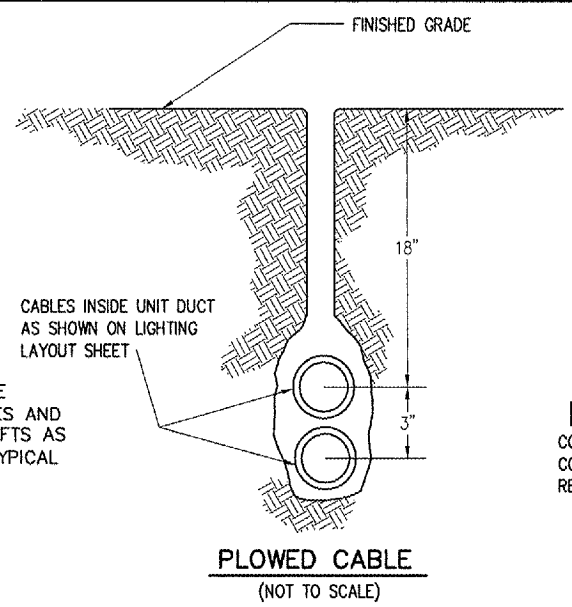
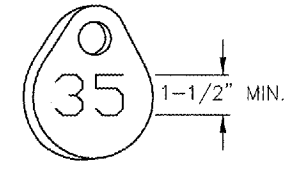


- NOTES:**
1. DETAIL NUMBERS INDICATE NO. OF CABLES.
 2. TRENCHES WITH MORE THAN SEVEN CABLES SHALL BE INCREASED 3" IN WIDTH FOR EACH ADDITIONAL CABLE; IF SPECIFIED ON PLANS TWO PARALLEL TRENCHES MAY BE CONSTRUCTED.
 3. DEPTH OF TRENCHES SHALL BE AS SHOWN ABOVE UNLESS OTHERWISE SPECIFIED ON THE PLANS.
 4. ALL DISTURBED SURFACES SHALL BE RESTORED TO THEIR ORIGINAL CONDITION. COST IS INCIDENTAL TO TRENCH. RETURNING MATERIALS AND RATES MAY BE SHOWN ON THE PLANS.

CABLE TRENCHES
(NOT TO SCALE)

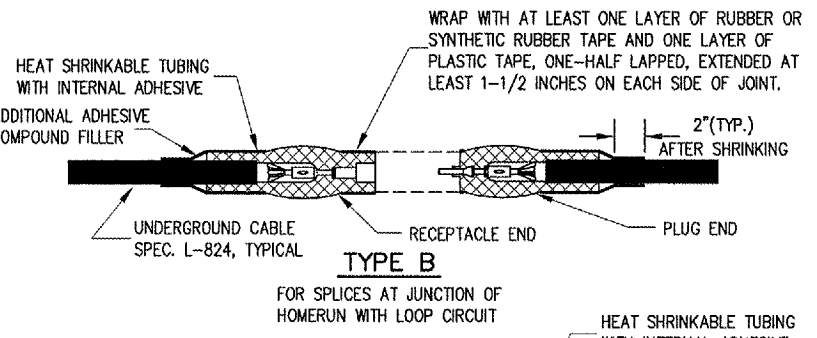
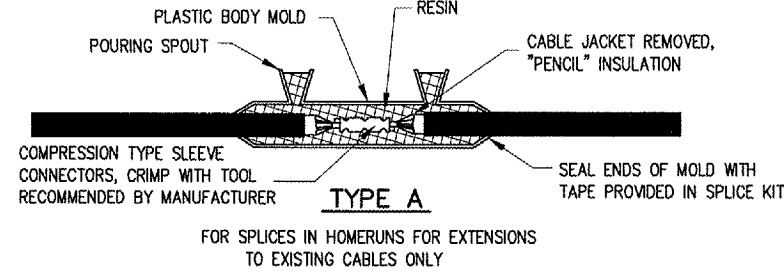


PLOWED CABLE
(NOT TO SCALE)

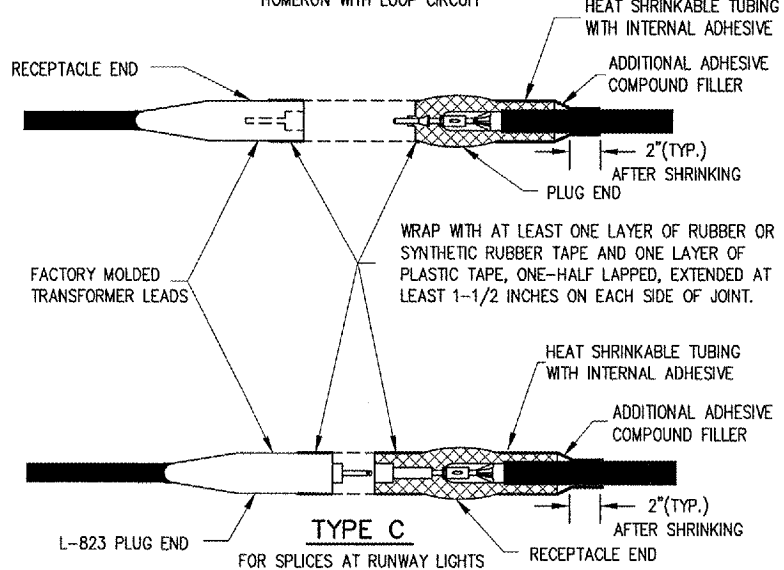


TAG DETAIL
(NOT TO SCALE)

NOTE:
AFFIX NON-CORROSIVE TAG TO FIXTURE FACING RUNWAY WITH SET SCREW, WIRE TIE, OR METAL BAND. NUMERALS SHALL BE ENGRAVED FOR PERMANENT READABILITY.



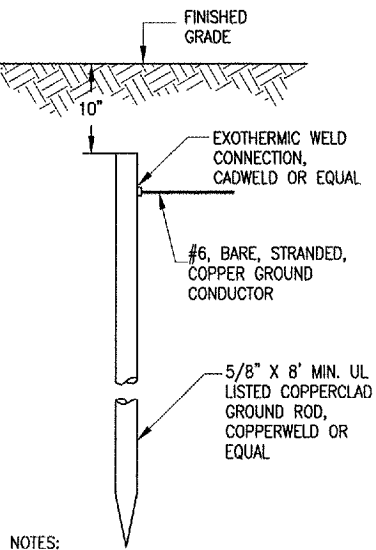
TYPE B
FOR SPLICES AT JUNCTION OF HOMERUN WITH LOOP CIRCUIT



TYPE C
FOR SPLICES AT RUNWAY LIGHTS

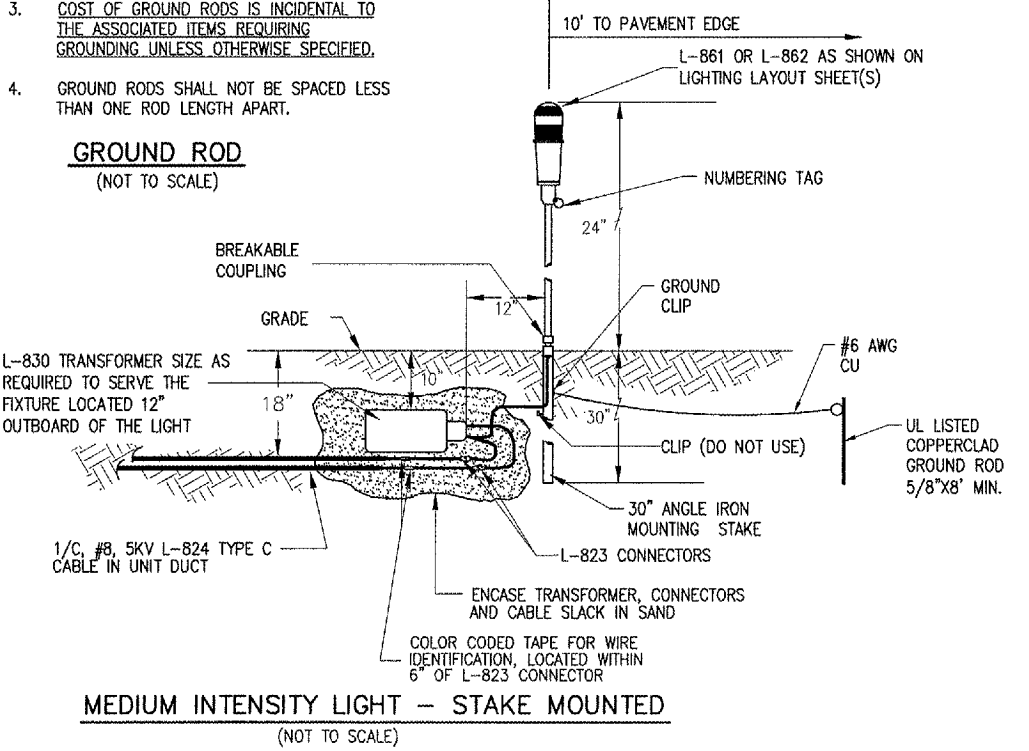
NOTES:
SEE LIGHTING LAYOUT SHEET(S) FOR SPLICE TYPE.
INSIDE DIAMETER OF CONNECTOR SHALL PROPERLY MATCH THE OUTSIDE DIAMETER OF CABLE.

CABLE SPLICES
(NOT TO SCALE)

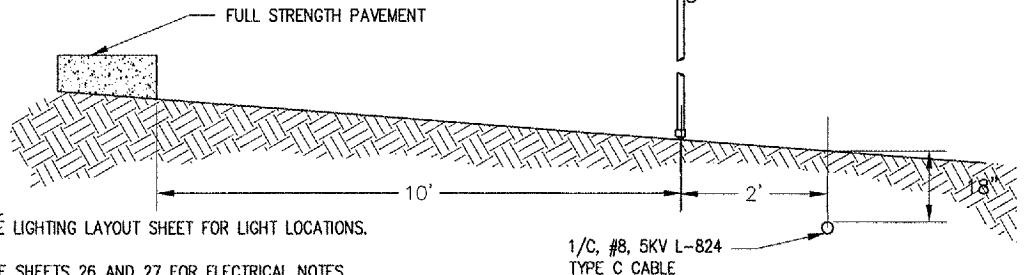


- NOTES:**
1. TYPE AND MINIMUM NUMBER OF GROUND RODS SHALL BE AS SPECIFIED ON THE PLAN.
 2. THE RESISTANCE TO GROUND OF THE GROUNDING SYSTEM SHALL NOT EXCEED 25 OHMS.
 3. COST OF GROUND RODS IS INCIDENTAL TO THE ASSOCIATED ITEMS REQUIRING GROUNDING UNLESS OTHERWISE SPECIFIED.
 4. GROUND RODS SHALL NOT BE SPACED LESS THAN ONE ROD LENGTH APART.

GROUND ROD
(NOT TO SCALE)



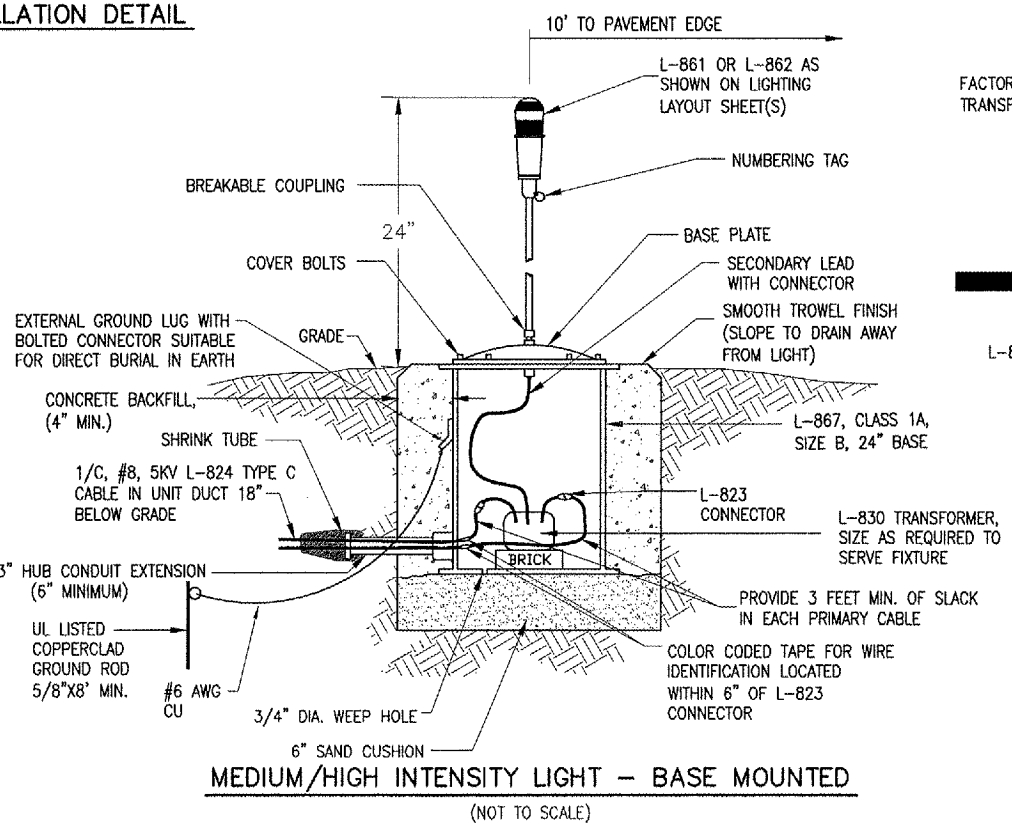
MEDIUM INTENSITY LIGHT - STAKE MOUNTED
(NOT TO SCALE)



- NOTES:**
1. SEE LIGHTING LAYOUT SHEET FOR LIGHT LOCATIONS.
 2. SEE SHEETS 26 AND 27 FOR ELECTRICAL NOTES.

PROFILE VIEW

LIGHT AND CABLE INSTALLATION DETAIL
(NOT TO SCALE)



MEDIUM/HIGH INTENSITY LIGHT - BASE MOUNTED
(NOT TO SCALE)

REVISION	DATE	BY

KEWANEE MUNICIPAL AIRPORT
KEWANEE, HENRY COUNTY, ILLINOIS

A.I.P. PROJ.: 3-17-0058-B12
IL PROJ.: EZI-3586

HEI Project No.	810-06/LTD
File Name	R-50ZELDET.DWG
Scale	N/A
Date	04/28/06
LAYOUT	R.A.W. 09/02/05
DRAWN	B.A.K. 09/02/05
REVIEWED	C.A.H. 04/27/06



Hanson Professional Services Inc.
3125 Dandy Trail, Suite 100
Indianapolis, IN 46214
Offices Nationwide

CONSTRUCT VAULT

ELECTRICAL DETAILS