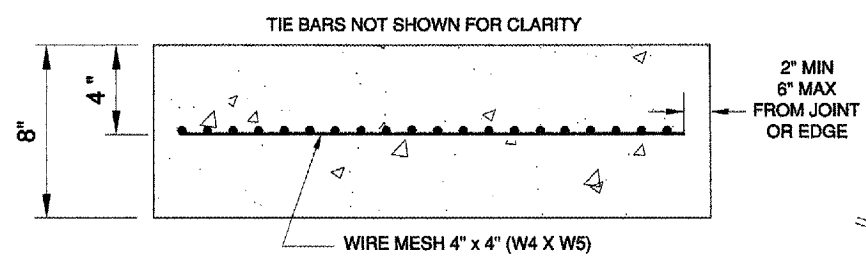
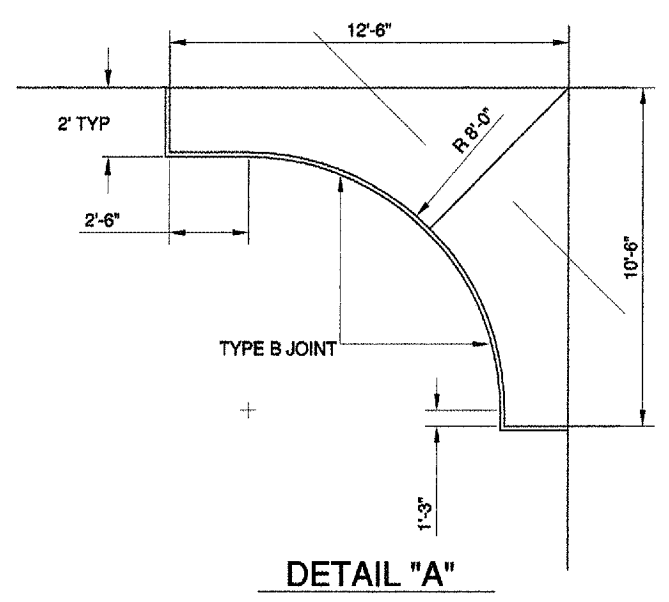


LEGEND:

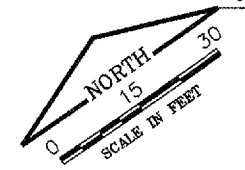
- TYPE B JOINT
- LONGITUDINAL CONSTRUCTION JOINT w/ DOWEL BARS (TYPE D)
- LONGITUDINAL CONSTRUCTION JOINT w/ TIE BARS (TYPE E MODIFIED)
- TRANSVERSE CONTRACTION JOINT w/ DOWEL BARS (TYPE F)
- TRANSVERSE CONTRACTION JOINT - DUMMY (TYPE H)
- BITUMINOUS BUTT JOINT



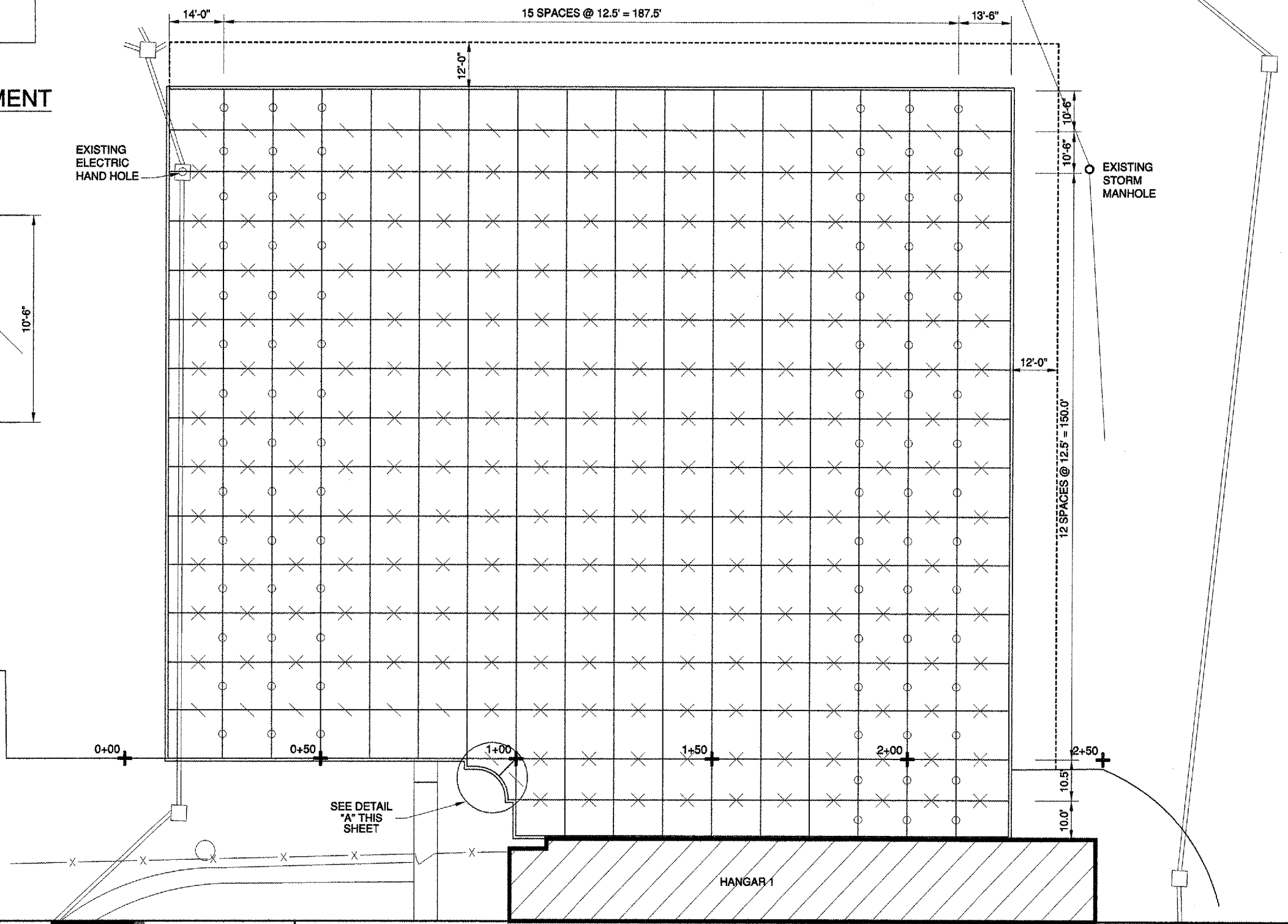
RADIUS PANEL REINFORCEMENT
NOT TO SCALE



JOINTING PLAN



- LEGEND**
- PROPOSED PCC PANEL LINES
 - EXISTING FENCE
 - EXISTING POLE LIGHTS
 - EXISTING INLET



I:\PROJECTS\SIA\DOT PROJECTS\MDH-3576 HANGAR 1 RAMP 07 JOINTING PLAN.dwg



Illinois Department of Transportation
Division of Aeronautics



Poirier Associates P.C.
Engineering and Architectural
Services Group
665 N. Airport Road
Suite 115 Terminal Building
Murphysboro, Illinois 62966
Telephone (618)549-5181
Fax (618)529-5444
E-mail poirier@intrnet.net



HANGAR 1 RAMP REPLACEMENT
SOUTHERN ILLINOIS AIRPORT
MURPHYSBORO / CARBONDALE, ILLINOIS

DATE: 05 APRIL, 2006
DRAWN: CWS
CHECKED: DDP
APPROVED: BCP
PROJECT NO. PA05036
IL PROJ. NO. MDH-3576
REVISIONS:

JOINTING PLAN
SHEET NO.
7
OF 14