

F.A.P. RTE.	SECTION	COUNTY	TOTAL SHEETS	SHEET NO.
323 & 710	10-00012-00-MS	MACON	34	1

UTILITY NOTE

THE LOCATIONS OF THOSE BURIED AND ABOVEGROUND UTILITIES SHOWN ARE APPROXIMATE, ARE SHOWN FOR CONTRACTOR INFORMATIONAL USE ONLY, AND ARE NOT TO BE REFERENCED FOR CONSTRUCTION PURPOSES. THE IMPLIED PRESENCE OR ABSENCE OF UTILITIES IS NOT TO BE CONSTRUED BY THE OWNER, ENGINEER, CONTRACTOR, OR SUBCONTRACTORS TO BE AN ACCURATE AND COMPLETE REPRESENTATION OF UTILITIES THAT MAY OR MAY NOT EXIST ON THE CONSTRUCTION SITE. BURIED AND ABOVEGROUND UTILITY LOCATION, IDENTIFICATION, AND MARKING ARE THE SOLE RESPONSIBILITY OF THE CONTRACTOR. REROUTING, DISCONNECTION, PROTECTION, ETC. OF ANY UTILITIES MUST BE COORDINATED BETWEEN THE CONTRACTOR, UTILITY COMPANY, AND OWNER. SITE SAFETY INCLUDING THE AVOIDANCE OF HAZARDS, ASSOCIATED WITH BURIED AND ABOVEGROUND UTILITIES, REMAIN THE SOLE RESPONSIBILITY OF THE CONTRACTOR.

J.U.L.I.E. - JOINT UTILITY LOCATING INFORMATION FOR EXCAVATORS
1-800-892-0123 or 811
* = J.U.L.I.E. Member

06-16-2017 LETTING ITEM 055

**STATE OF ILLINOIS
DEPARTMENT OF TRANSPORTATION
DIVISION OF HIGHWAYS
CORRIDOR MONUMENT INSTALLATION PROJECT**

**ILLINOIS TRANSPORTATION ENHANCEMENT PROGRAM (ITEP NO. 702202)
(FOR CONSTRUCTION SECTION)
SECTION 10-00012-00-MS
PROJECT TE-00D7(081)
CITY OF DECATUR, MACON COUNTY
JOB NO. C-97-043-17
CONTRACT NO. 95809**



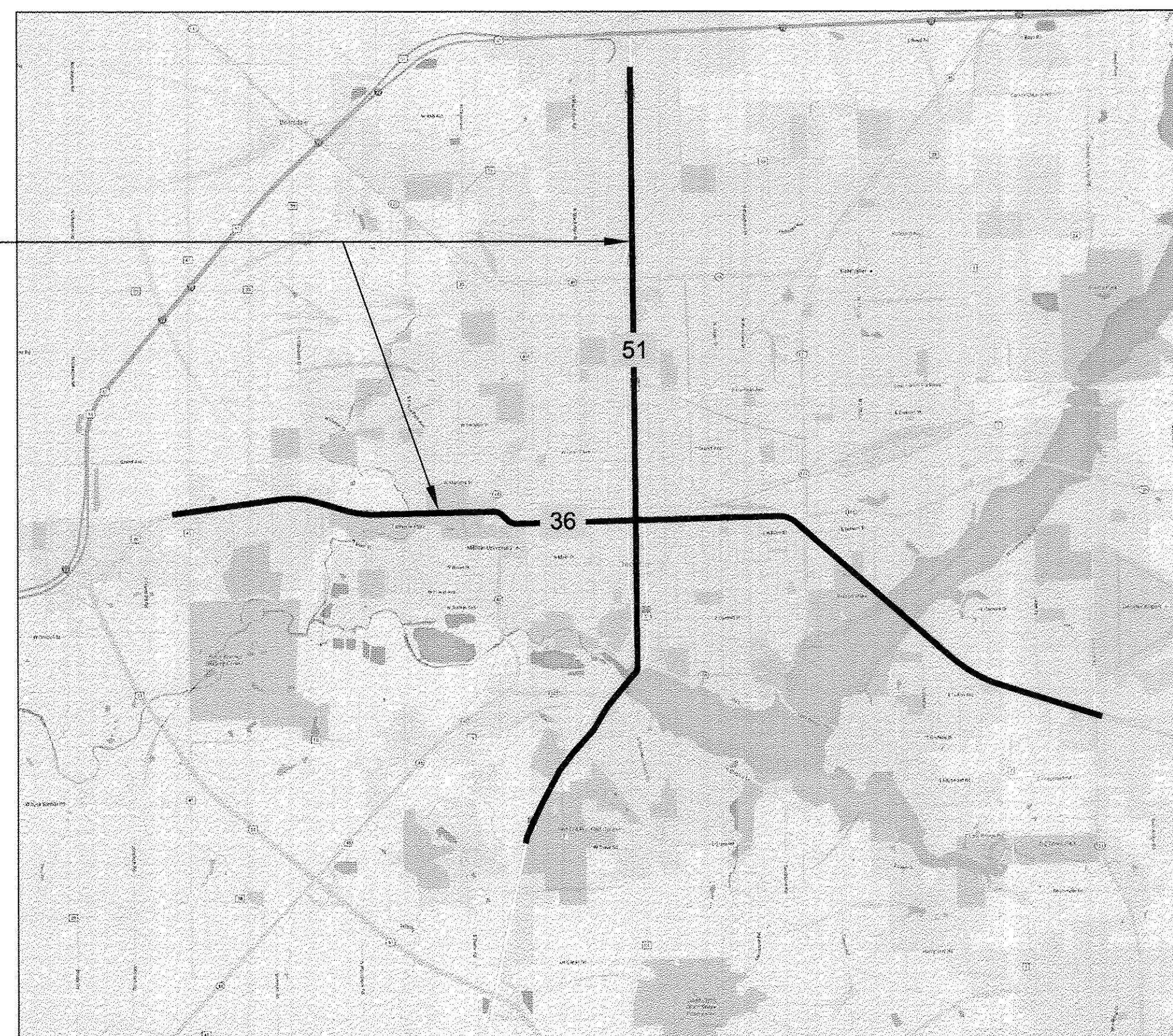
Index of Sheets

- 1 Cover Sheet
- 2 General Location Plan
- 3 Summary of Quantities
- 4 Schedule of Quantities
- 5 North Entry Sign - Site Improvement Plan
- 6 North Entry Sign - Planting Plan
- 7 South Entry Sign - Site Improvement Plan
- 8 South Entry Sign - Planting Plan
- 9 East Entry Sign - Site Improvement Plan
- 10 East Entry Sign - Planting Plan
- 11 West Entry Sign - Site Improvement Plan
- 12 West Entry Sign - Planting Plan
- 13 Entry Sign and Solar Panels
- * 14 Entry Signs
- * 15 Sign Framing Details
- * 16 Break-away Tubular Steel Sign Posts and Details
- 17 Planting Details
- 18 Wayfinding Signs 1W, 1E, 2W, 2E, 2.1E, & 3W
- 19 Wayfinding Signs 3E & 3N
- 20 Wayfinding Signs 4W, 4E, 4N-1, 4N-2, 5W, 5E, & 5N
- 21 Wayfinding Signs 6W, 6E, 7W, & 7E
- 22 Wayfinding Signs 8W, 8E, 9W, & 9E
- 23 Wayfinding Signs 10N, 10S, 11E, & 12W
- 24 Wayfinding Signs 13N, 14S, 15N, & 16E
- 25 Wayfinding Signs 17N & 17S
- 26 Wayfinding Sign Panels
- * 27 Wayfinding Signs
- * 28 Wayfinding Signs
- * 29 Wayfinding Signs
- 30 Wayfinding Sign Schedule 1
- 31 Wayfinding Sign Schedule 2
- 32 Ornamental Street Signs - Location Plan 1
- 33 Ornamental Street Signs - Location Plan 2
- 34 Ornamental Street Signs

Highway Standards

- 701006-05
- 701101-05
- 701106-02
- 701427-05
- 701901-06

Corridor Improvements along US Route 36 and US Route 51
Improvements include
Entrance Signs
Wayfinding Signs
Ornamental Street Signs

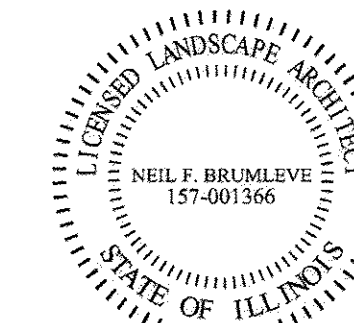


DESIGN DESIGNATION: PRINCIPAL ARTERIAL

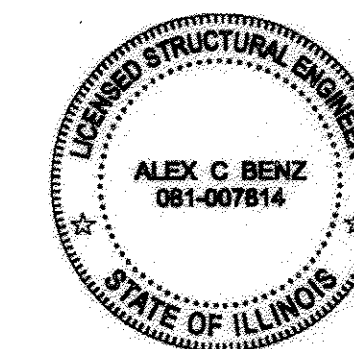
FINAL PLANS

DATE: 03/24/2017

MATTHEW C. HENDEL
062-048941
REGISTERED PROFESSIONAL ENGINEER OF ILLINOIS
SIGNATURE: *Matthew C. Hendel*
DATE SIGNED: 3-24-2017
LISC. EXP. DATE: 11-30-2017



Neil F. Brumleve
SIGNATURE: *Neil F. Brumleve*
DATE SIGNED: 3/24/2017
LISC. EXP. DATE: 8/31/2017

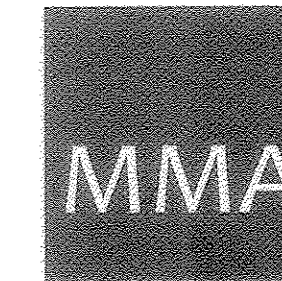


Alex C. Benz
SIGNATURE: *Alex C. Benz*
DATE SIGNED: 3/24/17
LISC. EXP. DATE: 11/30/18

* SEAL APPLIES ONLY TO SHEETS 14,15,16,27,28, AND 29



City of Decatur
1 Gary K. Anderson Plaza, Decatur, IL 62523
Public Works Department: (217) 424-2747
Economic and Urban Development: (217) 242-2793



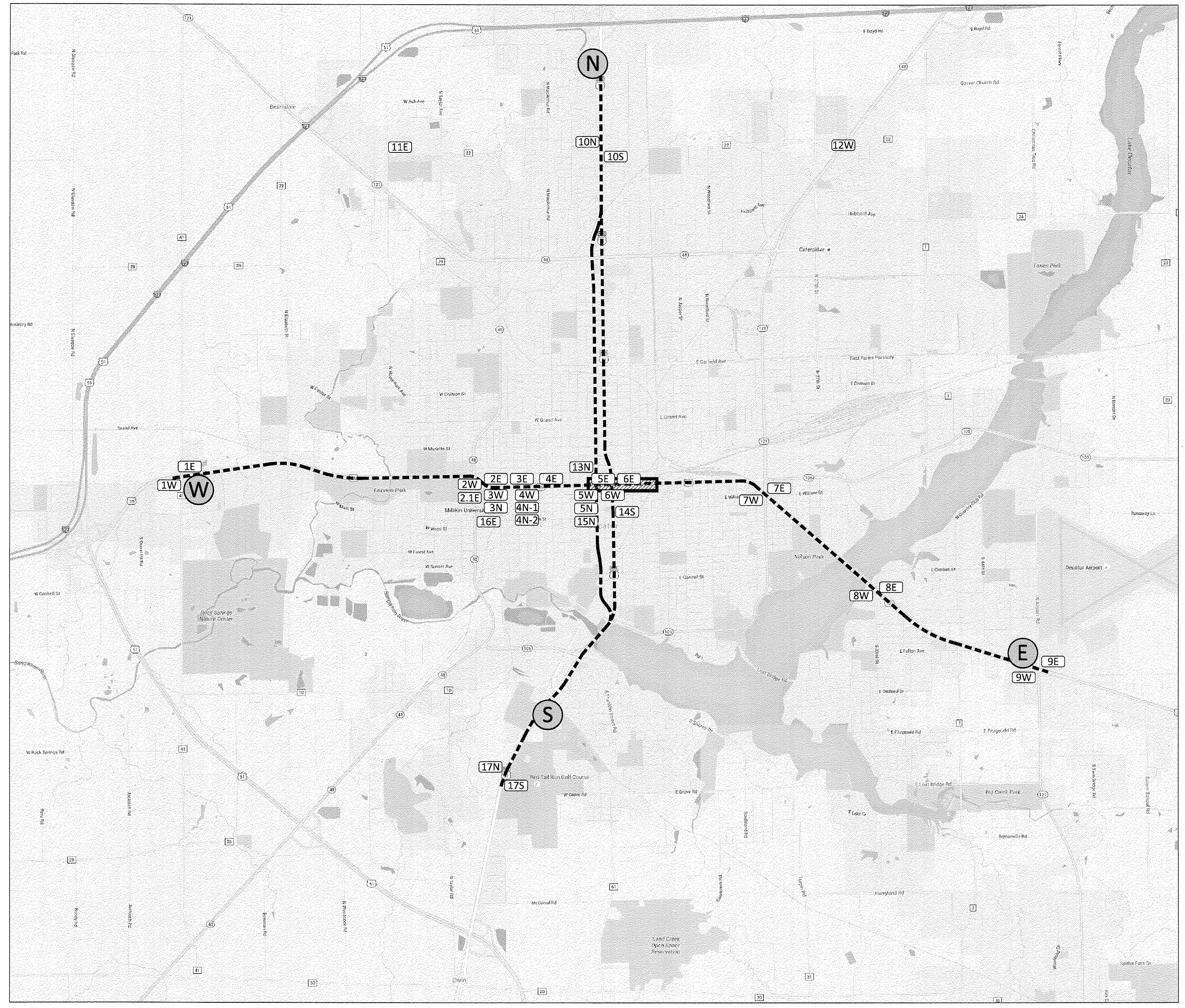
MMA MassieMassie+Associates
Landscape Architecture and Land Planning
1210 South 5th St. Springfield, Illinois 62703
217-544-3210 Massie-Massie-Associates.com



APPROVED *March 24* 2017
Matthew C. Hendel
CITY ENGINEER

APPROVED *March 31* 2017
Tom Honman
DISTRICT LOCAL ROADS AND STREETS ENGINEER

RELEASING FOR BID BASED ON LIMITED REVIEW
March 31 2017
John M. Smith
REGION FOUR ENGINEER



Site Improvement Legend

- Highways designated for sign installation (US Route 51 and US Route 36)
- Sign Type** (symbol shown on map indicates approximate location of sign)
 - Entrance Sign (letter indicates north, south, east, or west sign)
 - Wayfinding Sign
 - letter indicates orientation of sign
 - number identifies sign panel
 - Ornamental Street Signs (mounted on existing light poles)
 - Quantity = 54

Sheet Reference

Entrance Signs

- Sheets 5-6
- Sheets 7-8
- Sheets 9-10
- Sheets 11-12

Wayfinding Signs

- | | | |
|----------|----------|----------|
| Sheet 18 | Sheet 18 | Sheet 18 |
| Sheet 18 | Sheet 18 | Sheet 19 |
| Sheet 18 | Sheet 19 | Sheet 20 |
| Sheet 20 | Sheet 20 | Sheet 20 |
| Sheet 20 | Sheet 20 | |
| Sheet 21 | Sheet 21 | |
| Sheet 21 | Sheet 21 | |
| Sheet 22 | Sheet 22 | |
| Sheet 22 | Sheet 22 | |
| Sheet 23 | Sheet 23 | |
| Sheet 23 | | |
| Sheet 23 | | |
| Sheet 24 | | |
| Sheet 24 | | |
| Sheet 24 | | |
| Sheet 24 | | |
| Sheet 25 | Sheet 25 | |

Ornamental Street Signs

- Sheets 32-34

SUMMARY OF QUANTITIES

CODE NO.	ITEM DESCRIPTION	UNIT	TOTAL QUANTITY
25000210	SEEDING, CLASS 2A	ACRE	0.35
25000400	NITROGEN FERTILIZER NUTRIENT	POUND	32
25000500	PHOSPHORUS FERTILIZER NUTRIENT	POUND	32
25000600	POTASSIUM FERTILIZER NUTRIENT	POUND	32
25100115	MULCH, METHOD 2	ACRE	0.35
67100100	MOBILIZATION	L SUM	1
A2001820	TREE, ACER SACCHARUM GREEN MOUNTAIN (GREEN MOUNTAIN SUGAR MAPLE), 2-1/2" CALIPER, BALLED AND BURLAPPED	EACH	2
B2001116	TREE, CERCIS CANADENSIS (EASTERN REDBUD), 2" CALIPER, TREE FORM, BALLED AND BURLAPPED	EACH	14
D2001578	EVERGREEN, JUNIPERUS VIRGINIANA (EASTERN RED CEDAR), 8' HEIGHT, BALLED AND BURLAPPED	EACH	9
K0013020	PERENNIAL PLANTS, PRAIRIE TYPE, GALLON POT	UNIT	3.25
X0324062	ENTRANCE SIGN	L SUM	1
X0327008	REMOVE AND RELOCATE SIGN (SPECIAL)	EACH	1
XX006961	ORNAMENTAL STREET SIGN	EACH	54
XX008269	WAYFINDING SIGN	EACH	33
XX008270	BANNER ARMS	EACH	5
Z0013798	CONSTRUCTION LAYOUT	L SUM	1



USER NAME = nbrumleve	DESIGNED -- KLM	REVISED -- --
PLOT SCALE = 1"=10'	DRAWN -- NFB	REVISED -- --
PLOT DATE = 03/24/2017	CHECKED -- KLM	REVISED -- --
	DATE -- 03/24/2017	REVISED -- --

STATE OF ILLINOIS
DEPARTMENT OF TRANSPORTATION

CORRIDOR MONUMENT INSTALLATION PROJECT			
CITY OF DECATUR			
SUMMARY OF QUANTITIES			
SCALE: 1"=10'	SHEET	OF	SHEETS
	STA.		TO STA.

F.A.P. RTE.	SECTION	COUNTY	TOTAL SHEETS	SHEET NO.
323	10-00012-00-MS	MACON	34	3
710	CONTRACT NO. 95809			
ILLINOIS FED. AID PROJECT				

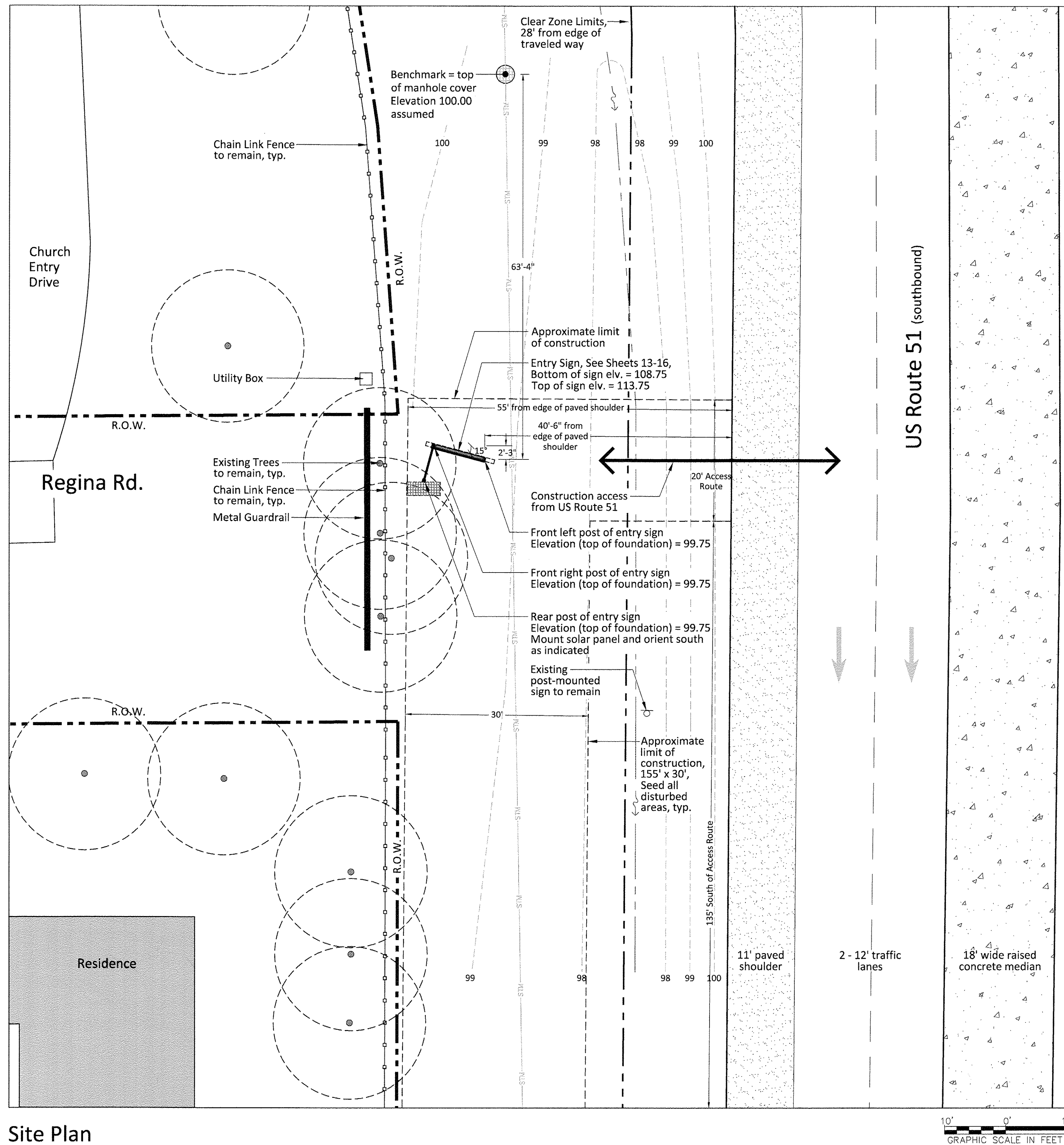
ENTRY SIGN SCHEDULE		
LOCATION		QUANTITY
PRIMARY ST.	NEAREST CROSS ST.	EACH
NORTH ENTRY SIGN		
U.S. ROUTE 51	ASH AVE.	1
EAST ENTRY SIGN		
U.S. ROUTE 36	MT. ZION RD.	1
SOUTH ENTRY SIGN		
U.S. ROUTE 51	IMBODEN DR.	1
WEST ENTRY SIGN		
U.S. ROUTE 36	WYCKLES RD.	1
TOTAL		4 *

* Complete construction and installation of all 4 signs will be paid as Lump Sum.

WAYFINDING SIGN SCHEDULE		
LOCATION		QUANTITY
PRIMARY ST.	NEAREST CROSS ST.	EACH
WAYFINDING SIGN - 18'		
U.S. ROUTE 51	MOUND RD.	2
U.S. ROUTE 36	N. EDWARD ST.	1
U.S. ROUTE 36	N. WATER ST.	1
	SUBTOTAL	4
WAYFINDING SIGN - 17'		
U.S. ROUTE 36	W. ELDORADO ST.	2
W. ELDORADO ST.	FAIRVIEW AVE.	1
U.S. ROUTE 36	32nd ST.	2
U.S. ROUTE 36	22nd ST.	2
	SUBTOTAL	7
WAYFINDING SIGN - 16'		
U.S. ROUTE 36	W. ELDORADO ST.	1
U.S. ROUTE 36	DUNHAM ST.	1
OAKLAND AVE.	W. MAIN ST.	1
U.S. ROUTE 36	MT. ZION RD.	2
E. MOUND RD.	U.S. ROUTE 48	1
U.S. ROUTE 51	W. MAIN ST.	1
	SUBTOTAL	7
WAYFINDING SIGN - 15'		
U.S. ROUTE 36	N. WATER ST.	1
N. WATER ST.	NORTH ST.	1
U.S. ROUTE 51	CERRO GORDO ST.	1
U.S. ROUTE 51	GROVE RD.	2
U.S. ROUTE 36	N. EDWARD ST.	1
NORTH ST.	N. EDWARD ST.	1
	SUBTOTAL	7
WAYFINDING SIGN - 14'-A		
U.S. ROUTE 51	E. MAIN ST.	1
	SUBTOTAL	1
WAYFINDING SIGN - 14'-B		
U.S. ROUTE 36	WYCKLES RD.	2
N. EDWARD ST.	WILLIAM ST.	1
U.S. ROUTE 36	JACKSON ST.	2
W. MOUND RD.	WESTLAWN AVE.	1
W. MAIN ST.	FAIRVIEW DR.	1
	SUBTOTAL	7
TOTAL WAYFINDING SIGNS		33

ORNAMENTAL STREET SIGN SCHEDULE		
LOCATION		QUANTITY
BETWEEN CROSS ST. #1 AND CROSS ST. #2		EACH
U.S. ROUTE 36 MARKERS		
CHURCH ST.	TO N. MAIN ST.	7
N. MAIN ST.	TO WATER ST.	7
WATER ST.	TO FRANKLIN ST.	6
FRANKLIN ST.	TO JACKSON ST.	6
JACKSON ST.	TO M.L.K. BLVD.	9
M.L.K. BLVD.	TO MORGAN ST.	8
MORGAN ST.	TO SHORT ST.	4
SHORT ST.	TO FRONT ST.	4
FRONT ST.	TO RAILROAD	3
TOTAL		54

PLANT SCHEDULE		
LOCATION		QUANTITY
PRIMARY ST.	NEAREST CROSS ST.	EACH
NORTH ENTRY SIGN (US RTE. 51 NEAR ASH AVE.)		
TREE, ACER SACCHARUM GREEN MOUNTAIN (GREEN MOUNTAIN SUGAR MAPLE), 2-1/2" CALIPER, BALLED AND BURLAPPED		1
TREE, CERCIS CANADENSIS (EASTERN REDBUD), 2" CALIPER, TREE FORM, BALLED AND BURLAPPED		3
EVERGREEN, JUNIPERUS VIRGINIANA (EASTERN RED CEDAR), 8' HEIGHT, BALLED AND BURLAPPED		3
PERENNIAL PLANTS, PRAIRIE TYPE, GALLON POT		55
EAST ENTRY SIGN (US RTE. 36 NEAR MT. ZION RD.)		
TREE, CERCIS CANADENSIS (EASTERN REDBUD), 2" CALIPER, TREE FORM, BALLED AND BURLAPPED		5
PERENNIAL PLANTS, PRAIRIE TYPE, GALLON POT		70
SOUTH ENTRY SIGN (US RTE. 51 NEAR IMBODEN DR.)		
TREE, CERCIS CANADENSIS (EASTERN REDBUD), 2" CALIPER, TREE FORM, BALLED AND BURLAPPED		3
EVERGREEN, JUNIPERUS VIRGINIANA (EASTERN RED CEDAR), 8' HEIGHT, BALLED AND BURLAPPED		3
PERENNIAL PLANTS, PRAIRIE TYPE, GALLON POT		100
WEST ENTRY SIGN (US RTE. 36 NEAR WYCKLES RD.)		
TREE, ACER SACCHARUM GREEN MOUNTAIN (GREEN MOUNTAIN SUGAR MAPLE), 2-1/2" CALIPER, BALLED AND BURLAPPED		1
TREE, CERCIS CANADENSIS (EASTERN REDBUD), 2" CALIPER, TREE FORM, BALLED AND BURLAPPED		3
EVERGREEN, JUNIPERUS VIRGINIANA (EASTERN RED CEDAR), 8' HEIGHT, BALLED AND BURLAPPED		3
PERENNIAL PLANTS, PRAIRIE TYPE, GALLON POT		100



Site Plan



Location Map

Notes:

1. Provide traffic control according to the standards listed on the front cover and the project manual.
2. Contact District 7 Bureau of Operations to review and approve construction layout stakes prior to sign installation.
3. Contact J.U.L.I.E. (1-800-892-0123) before digging to locate underground utilities.
4. All utility locations are per utility and city of Decatur record drawings. Specific locations were not excavated for field verification.

MMA Massie+Associates
 Landscape Architecture and Land Planning
 1210 South 20th St., Springfield, Illinois 62769
 217-549-2310 • Massie+Associates.com

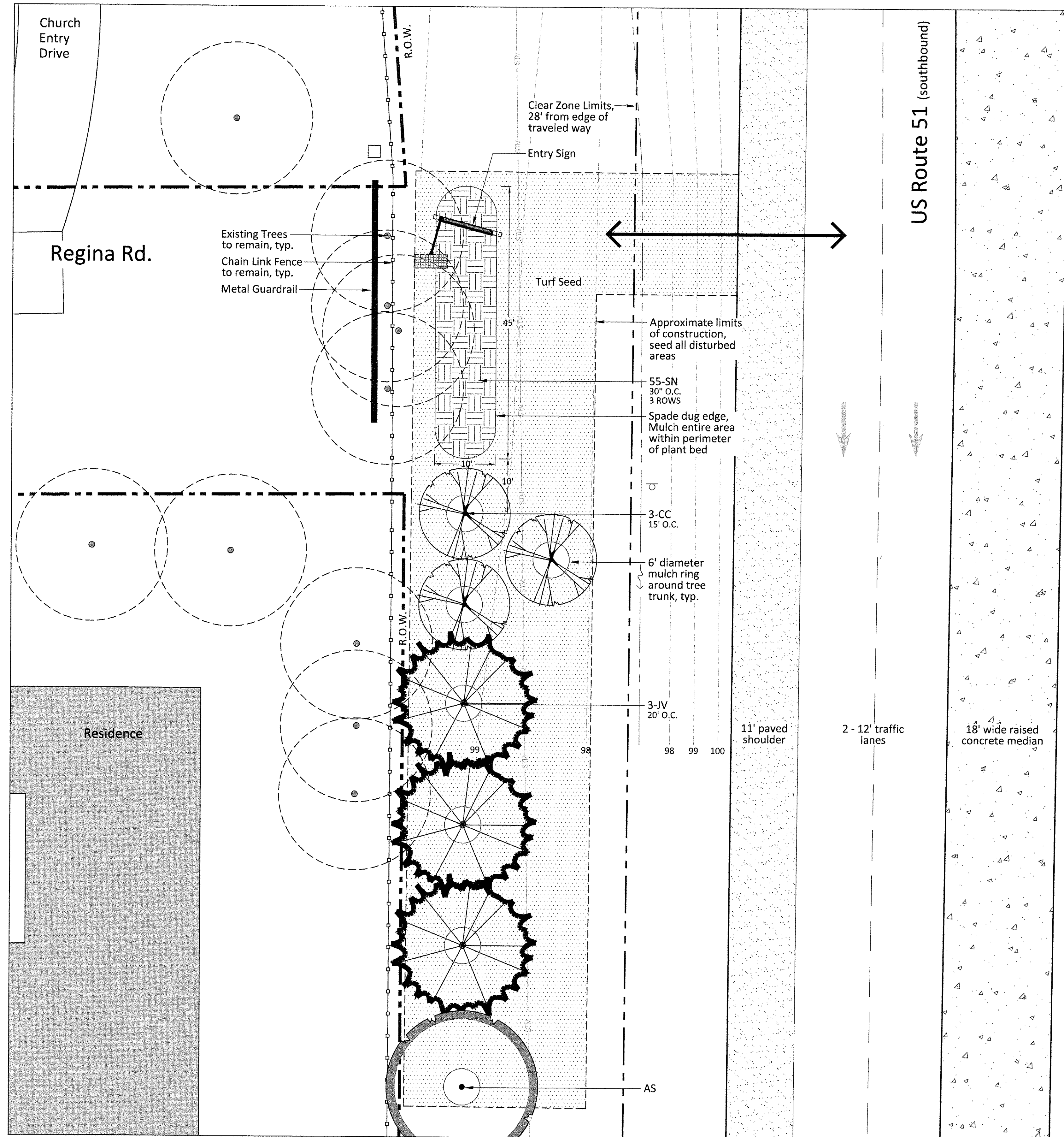
USER NAME = nbrumleve	DESIGNED -- KLM	REVISED --
PLOT SCALE = 1"=10'	DRAWN -- NFB	REVISED --
PLOT DATE = 03/24/2017	CHECKED -- KLM	REVISED --
	DATE -- 03/24/2017	REVISED --

STATE OF ILLINOIS
 DEPARTMENT OF TRANSPORTATION

CORRIDOR MONUMENT INSTALLATION PROJECT
 CITY OF DECATUR
 NORTH ENTRY SIGN - SITE IMPROVEMENT PLAN

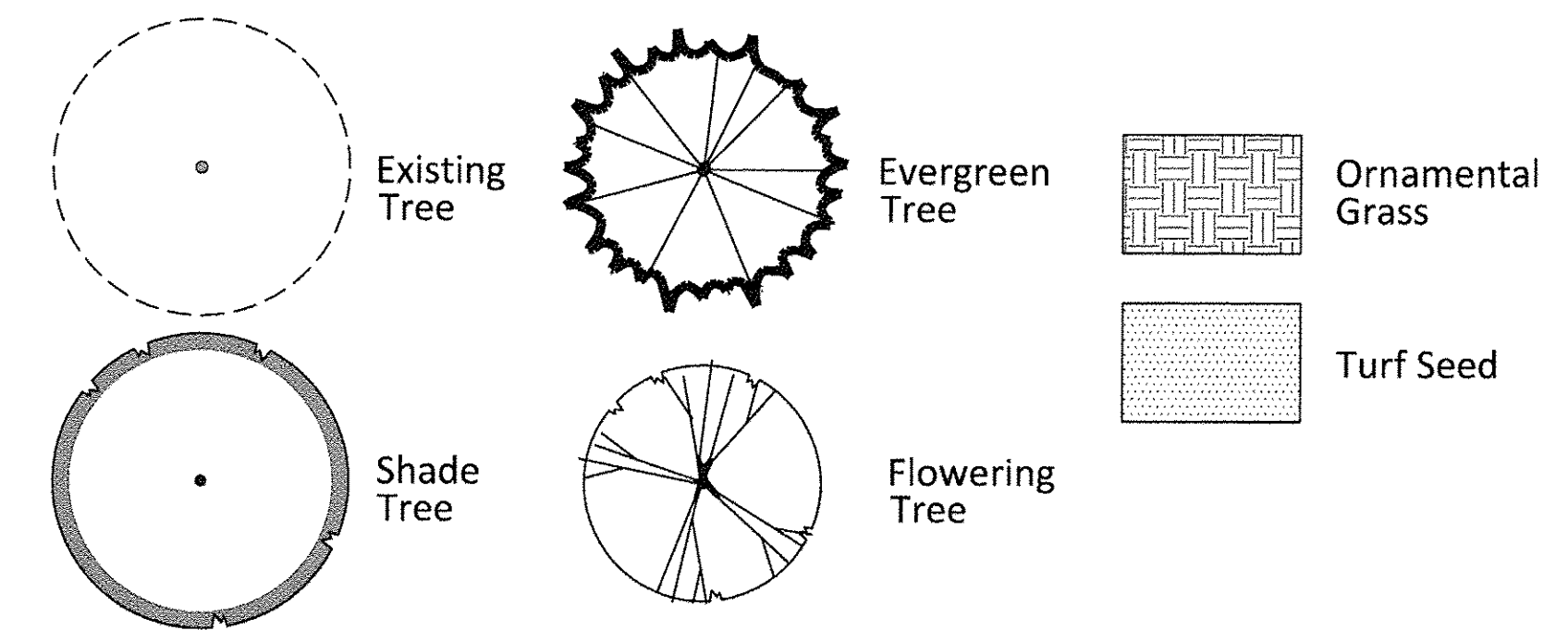
SCALE: 1"=10' SHEET OF SHEETS STA. TO STA.

F.A.P. RTE.	SECTION	COUNTY	TOTAL SHEETS	SHEET NO.
323	10-00012-00-MS	MACON	34	5
710	CONTRACT NO. 95809			
ILLINOIS FED. AID PROJECT				



Location Map

Plant Legend



Plant Schedule

QTY	SYM	BOTANICAL NAME	COMMON NAME	SIZE
SHADE TREE				
1	AS	ACER SACCHARUM 'GREEN MOUNTAIN'	GREEN MOUNTAIN SUGAR MAPLE	2.5" CAL., BB
EVERGREEN TREE				
3	JV	JUNIPERUS VIRGINIANA	EASTERN RED CEDAR	8' HT., BB
FLOWERING TREE				
3	CC	CERCIS CANADENSIS	EASTERN REDBUD	2" CAL., BB TREE FORM
ORNAMENTAL GRASS				
55	SN	SORGHASTRUM NUTANS 'INDIAN STEEL'	INDIAN STEEL INDIAN GRASS	1-GAL. WELL DEVELOPED

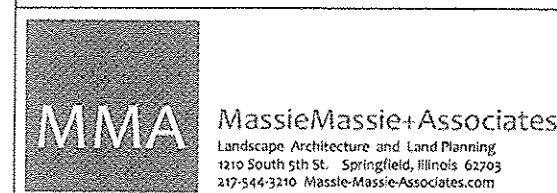
PLANTING NOTES:

- QUANTITIES PROVIDED FOR CONTRACTOR'S CONVENIENCE. IT IS THE CONTRACTOR'S RESPONSIBILITY TO VERIFY QUANTITIES PRIOR TO BIDDING AND ORDERING PLANT MATERIAL.
- CONTRACTOR TO VERIFY UTILITY LOCATIONS PRIOR TO EXCAVATING FOR PLANTS.
- ENTIRE PLANTING BED AREAS TO BE MULCHED.
- SEED ALL AREAS DISTURBED BY CONSTRUCTION AS SHOWN ON PLANS.

Seed Mix

CLASS 2A - SALT TOLERANT ROADSIDE MIXTURE	
COMMON NAME	LBS/ACRE
TALL FESCUE (INFERNO, TARHEEL II, QUEST, BLADE RUNNER, FALCON IV)	60
PERENNIAL RYEGRASS	20
RED FESCUE (AUDUBON, SEA LINK, EPIC)	30
HARD FESCUE (RESUCE 911, SPARTAN II, RELIANT IV)	30
FULTS SALT GRASS 1 OR SALTY ALKALIGRASS	60

Site Plan



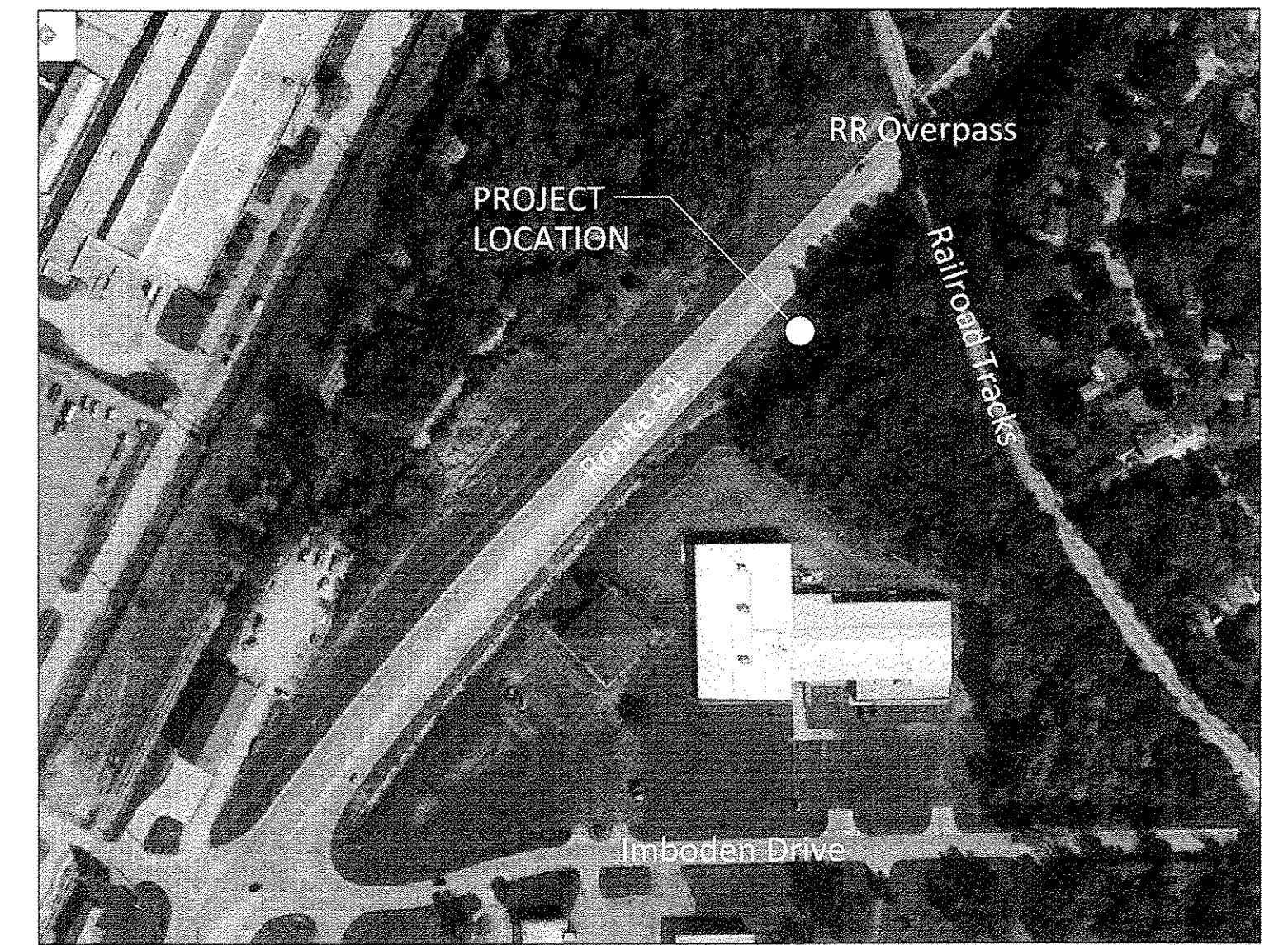
USER NAME = nbrumleve	DESIGNED -- KLM	REVISED --
PLOT SCALE = 1"=10'	DRAWN -- NFB	REVISED --
PLOT DATE = 03/24/2017	CHECKED -- KLM	REVISED --
	DATE -- 03/24/2017	REVISED --

STATE OF ILLINOIS
DEPARTMENT OF TRANSPORTATION

CORRIDOR MONUMENT INSTALLATION PROJECT
CITY OF DECATUR
NORTH ENTRY SIGN - PLANTING PLAN

SCALE: 1"=10' SHEET OF SHEETS STA. TO STA.

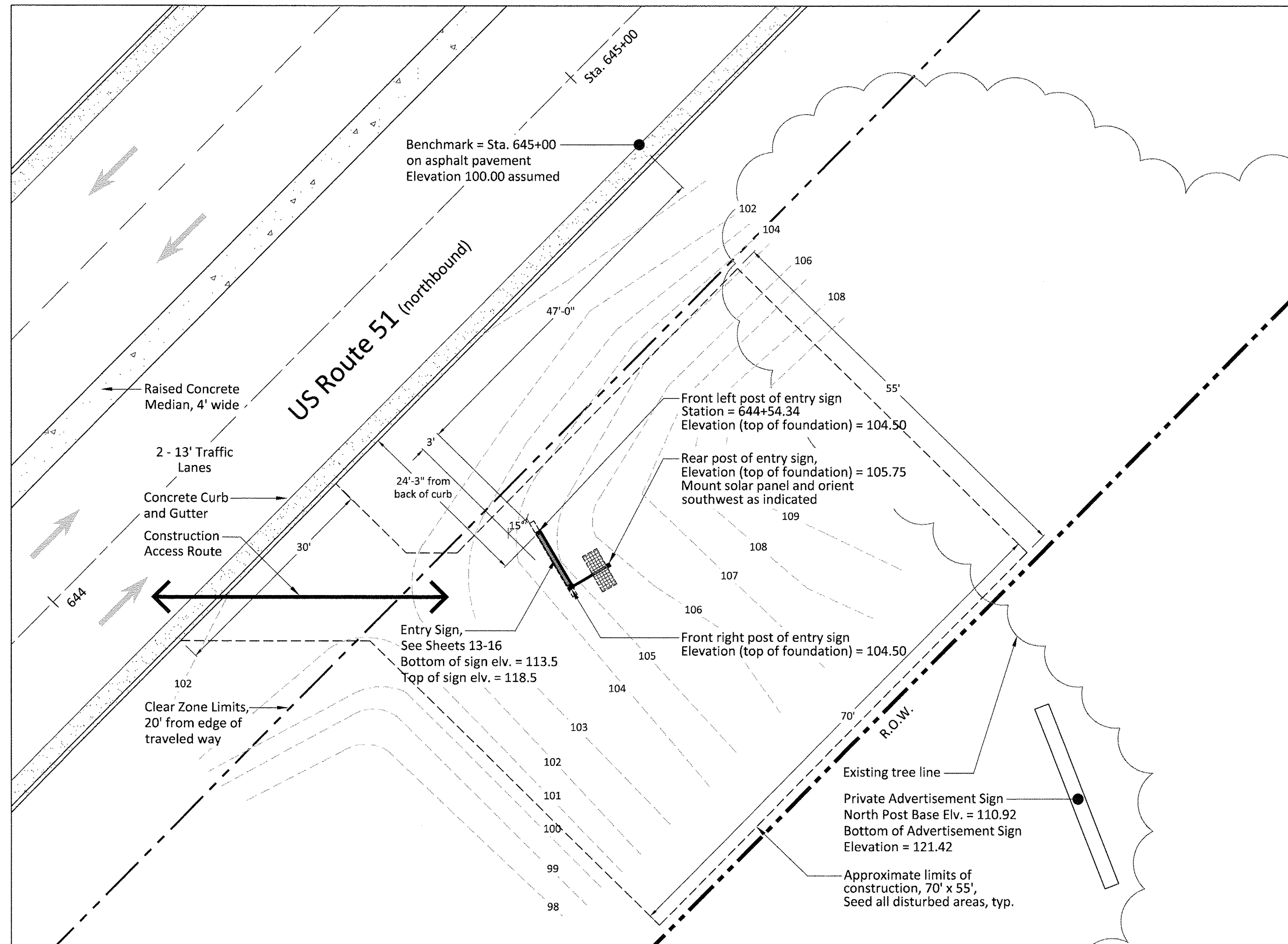
F.A.P. RTE.	SECTION	COUNTY	TOTAL SHEETS	SHEET NO.
323	10-00012-00-MS	MACON	34	6
710	CONTRACT NO. 95809			
ILLINOIS FED. AID PROJECT				



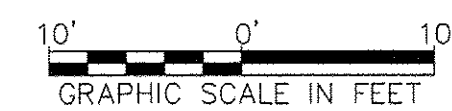
Location Map



* See Sheet 5 for layout notes



Site Plan



USER NAME = nbrumieva	DESIGNED -- KLM	REVISED -- --
PLOT SCALE = 1"=10'	DRAWN -- NFB	REVISED -- --
PLOT DATE = 03/24/2017	CHECKED -- KLM	REVISED -- --
	DATE -- 03/24/2017	REVISED -- --

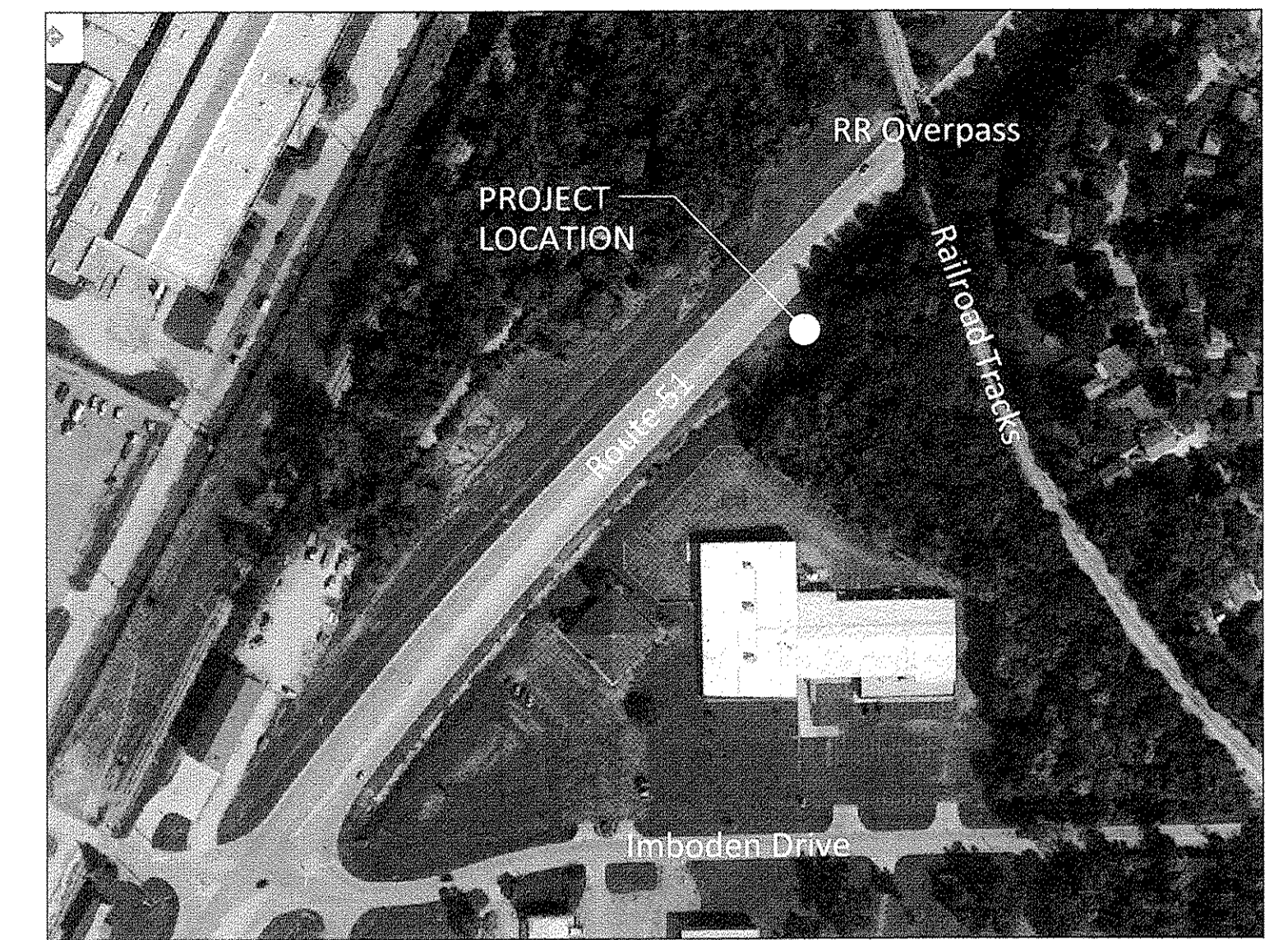
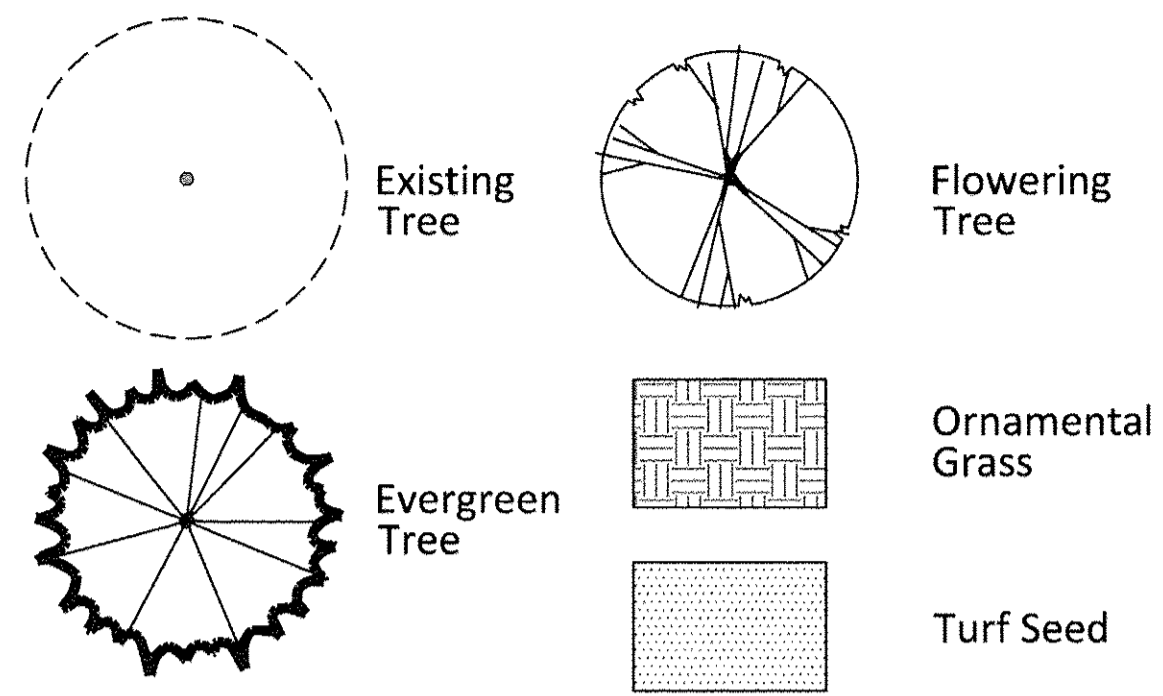
STATE OF ILLINOIS
DEPARTMENT OF TRANSPORTATION

CORRIDOR MONUMENT INSTALLATION PROJECT
CITY OF DECATUR
SOUTH ENTRY SIGN - SITE IMPROVEMENT PLAN

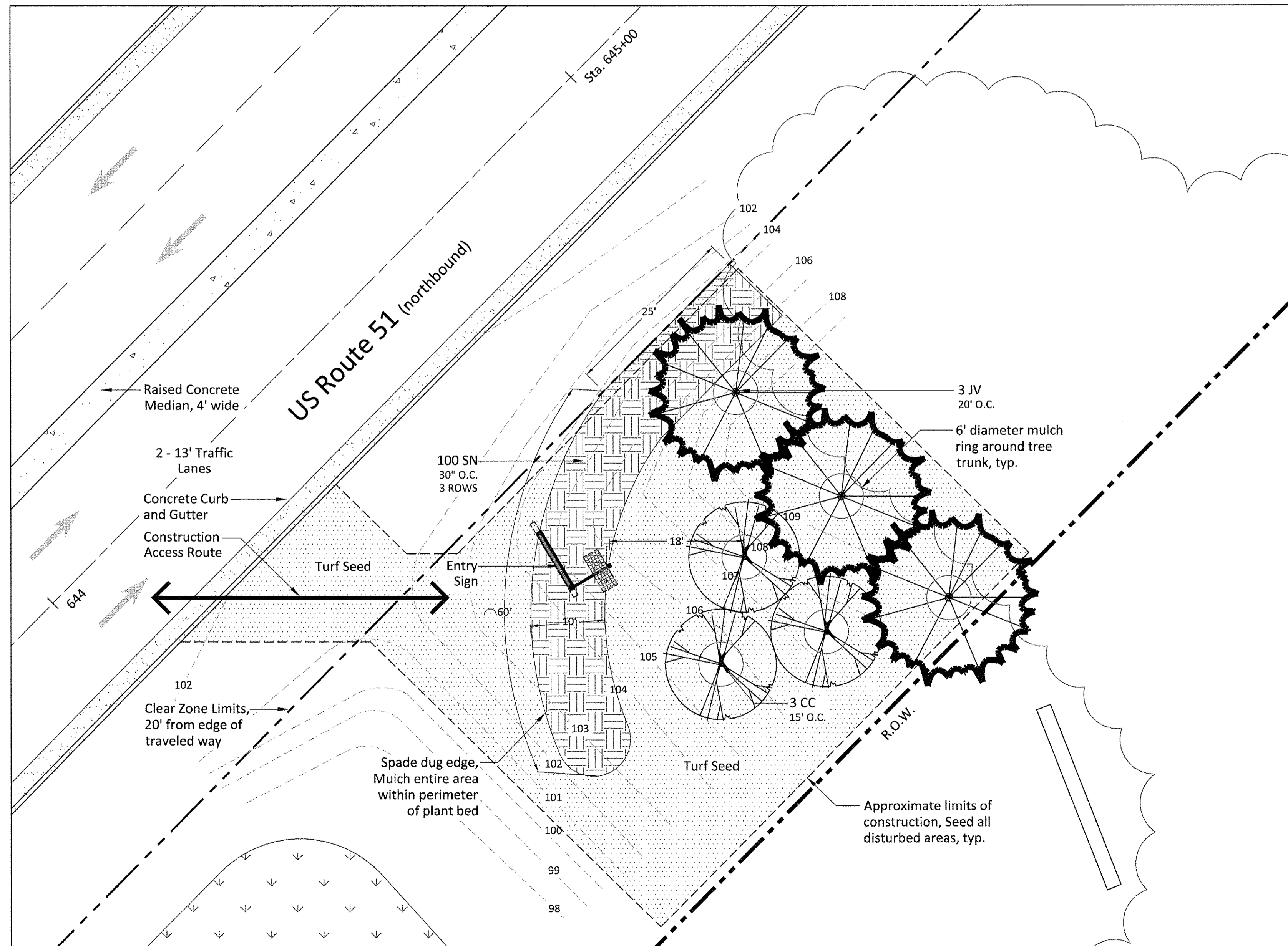
SCALE: 1"=10' SHEET OF SHEETS STA. TO STA.

F.A.P. RTE.	SECTION	COUNTY	TOTAL SHEETS	SHEET NO.
323	10-00012-00-MS	MACON	34	7
710	CONTRACT NO. 95809			
ILLINOIS FED. AID PROJECT				

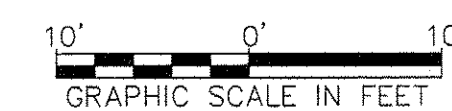
Plant Legend



Location Map



Site Plan



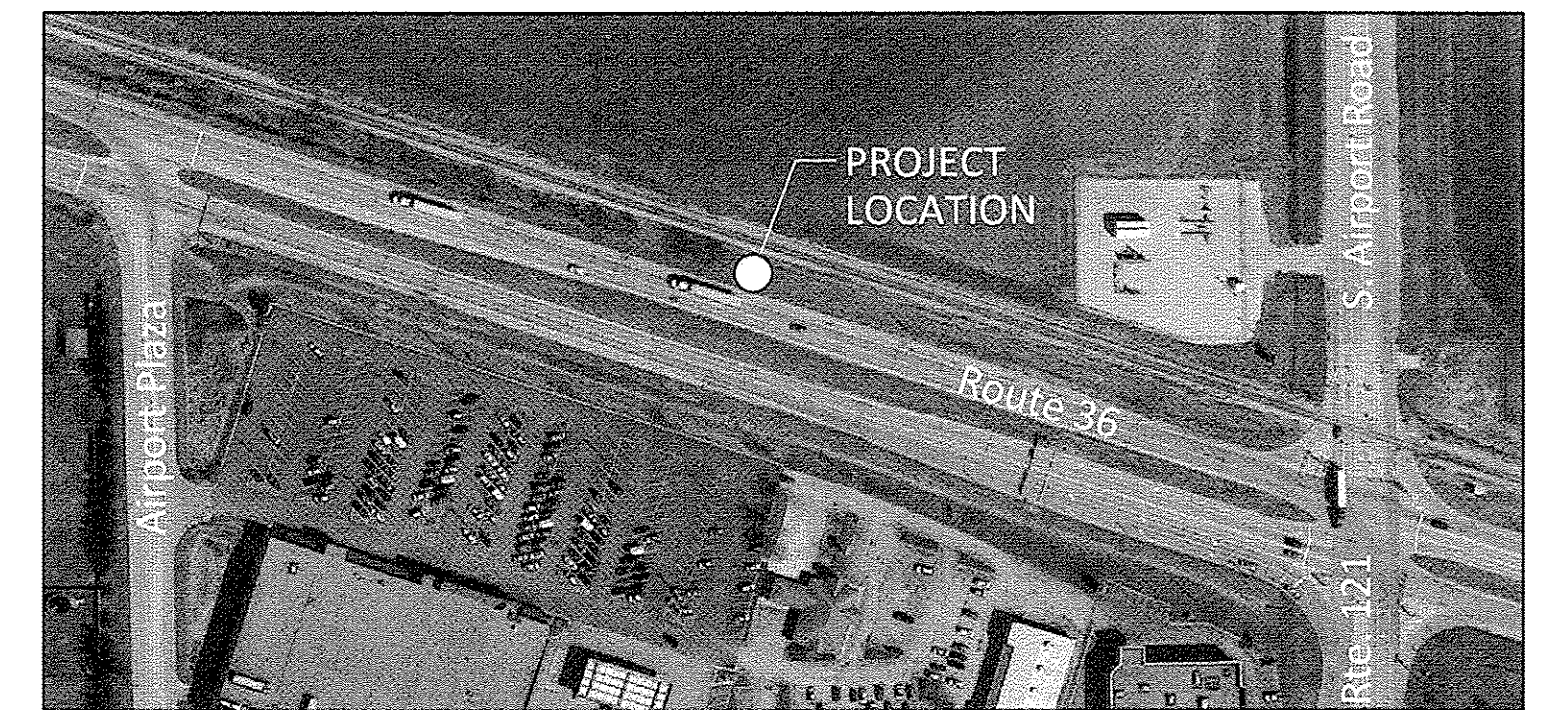
Plant Schedule - Sta. 644+30 to 645+00

QTY	SYM	BOTANICAL NAME	COMMON NAME	SIZE
EVERGREEN TREE				
3	JV	JUNIPERUS VIRGINIANA	EASTERN RED CEDAR	8' HT., BB
FLOWERING TREE				
3	CC	CERCIS CANADENSIS	EASTERN REDBUD	2" CAL., BB TREE FORM
ORNAMENTAL GRASS				
100	SN	SORGHASTRUM NUTANS 'INDIAN STEEL'	INDIAN STEEL INDIAN GRASS	1-GAL. WELL DEVELOPED

* See Sheet 6 for planting/seeding notes

Seed Mix

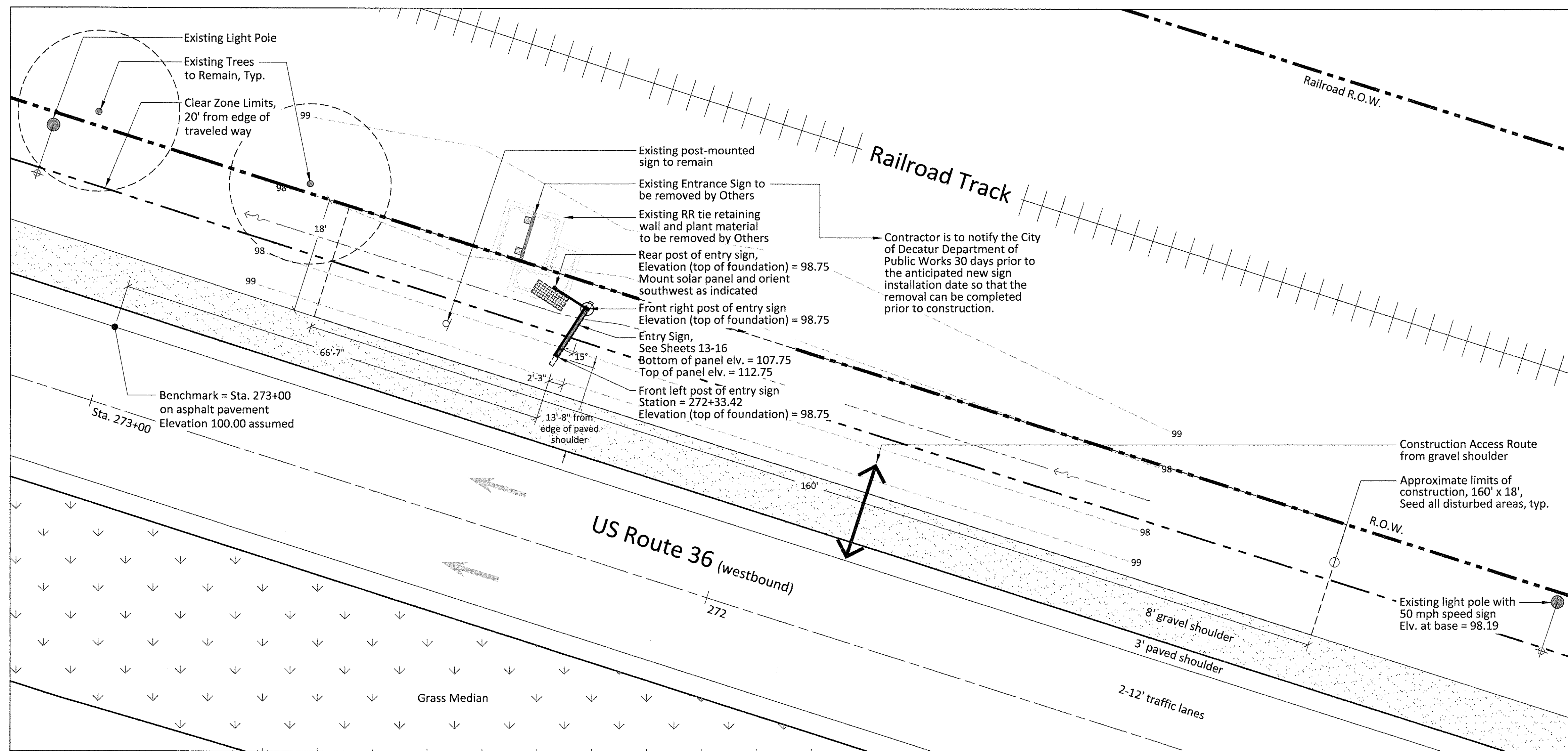
CLASS 2A - SALT TOLERANT ROADSIDE MIXTURE	
COMMON NAME	LBS/ACRE
TALL FESCUE (INFERNO, TARHEEL II, QUEST, BLADE RUNNER, FALCON IV)	60
PERENNIAL RYEGRASS	20
RED FESCUE (AUDUBON, SEA LINK, EPIC)	30
HARD FESCUE (RESUCE 911, SPARTAN II, RELIANT IV)	30
FULTS SALT GRASS 1 OR SALTY ALKALIGRASS	60



Location Map

200' 0' 200'
GRAPHIC SCALE IN FEET

* See Sheet 5 for layout notes



Site Plan

10' 0' 10'
GRAPHIC SCALE IN FEET

MMA Massie+Associates
Landscape Architecture and Land Planning
1200 South 17th St., Springfield, Illinois 62769
317-544-3170 Massie+Associates.com

USER NAME = nbrumleve	DESIGNED = KLM	REVISED = -
	DRAWN = NFB	REVISED = -
PLOT SCALE = 1"=10'	CHECKED = KLM	REVISED = -
PLOT DATE = 03/24/2017	DATE = 03/24/2017	REVISED = -

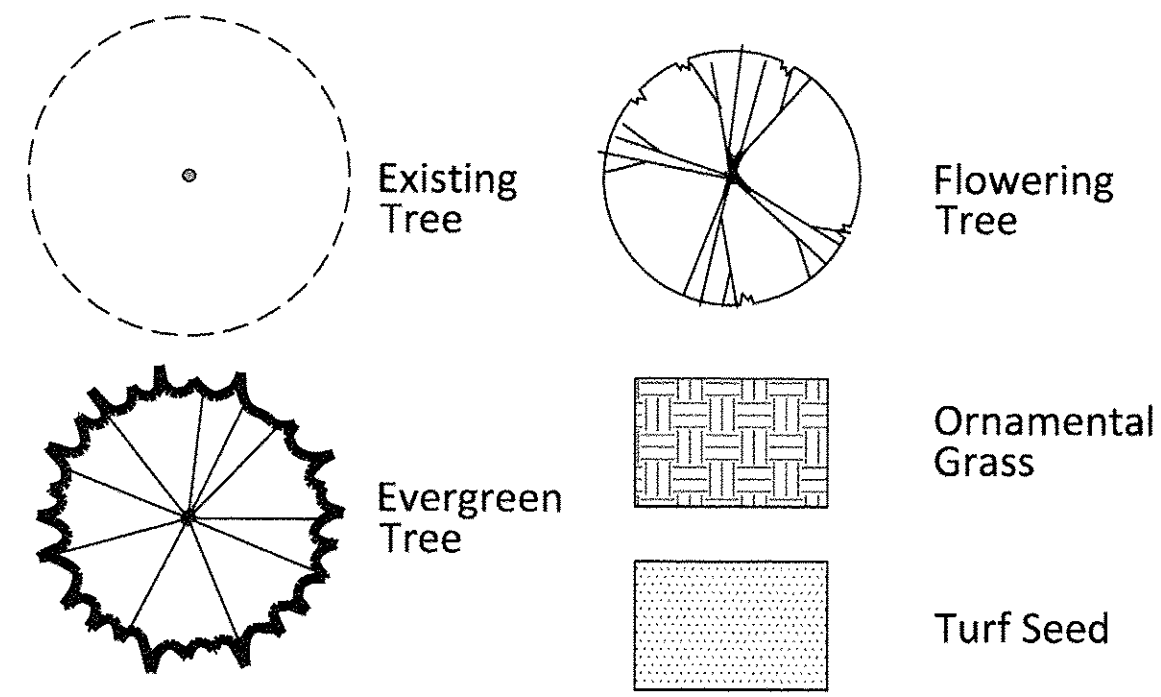
STATE OF ILLINOIS
DEPARTMENT OF TRANSPORTATION

CORRIDOR MONUMENT INSTALLATION PROJECT
CITY OF DECATUR
EAST ENTRY SIGN - SITE IMPROVEMENT PLAN

SCALE: 1"=10' SHEET OF SHEETS STA. TO STA.

F.A.P. RTE.	SECTION	COUNTY	TOTAL SHEETS	SHEET NO.
323	10-00012-00-MS	MACON	34	9
710	CONTRACT NO. 95809			
ILLINOIS FED. AID PROJECT				

Plant Legend



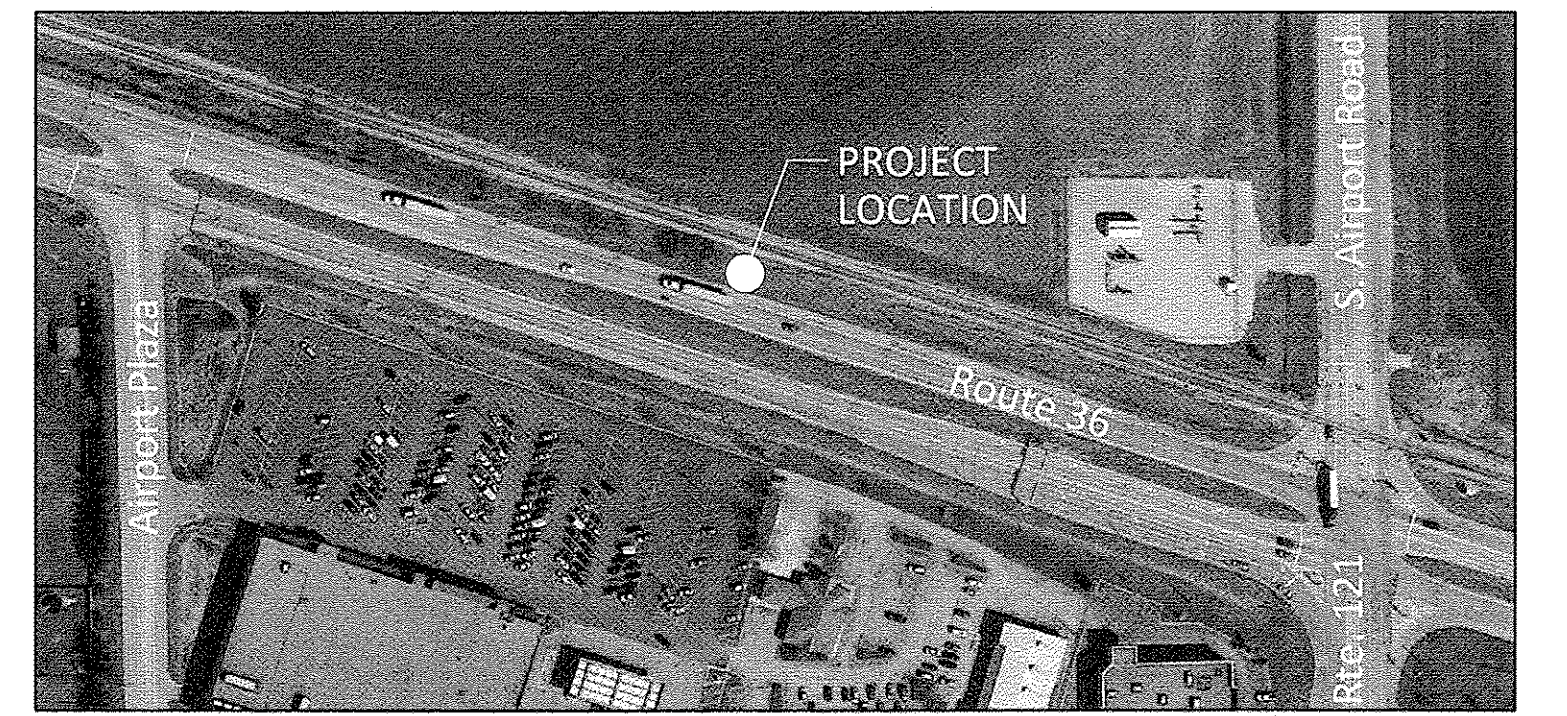
Plant Schedule - Sta. 271+00 to 272+75

QTY	SYM	BOTANICAL NAME	COMMON NAME	SIZE
FLOWERING TREE				
5	CC	CERCIS CANADENSIS	EASTERN REDBUD	2" CAL., BB TREE FORM
ORNAMENTAL GRASS				
70	SN	SORGHASTRUM NUTANS 'INDIAN STEEL'	INDIAN STEEL INDIAN GRASS	1-GAL. WELL DEVELOPED

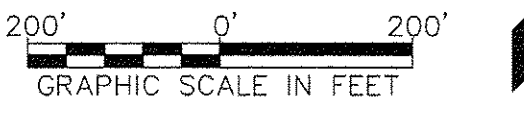
* See Sheet 6 for planting/seeding notes

Seeding Mix

CLASS 2A - SALT TOLERANT ROADSIDE MIXTURE	
COMMON NAME	LBS/ACRE
TALL FESCUE (INFERNO, TARHEEL II, QUEST, BLADE RUNNER, FALCON IV)	60
PERENNIAL RYEGRASS	20
RED FESCUE (AUDUBON, SEA LINK, EPIC)	30
HARD FESCUE (RESUCE 911, SPARTAN II, RELIANT IV)	30
FULTS SALT GRASS 1 OR SALTY ALKALIGRASS	60

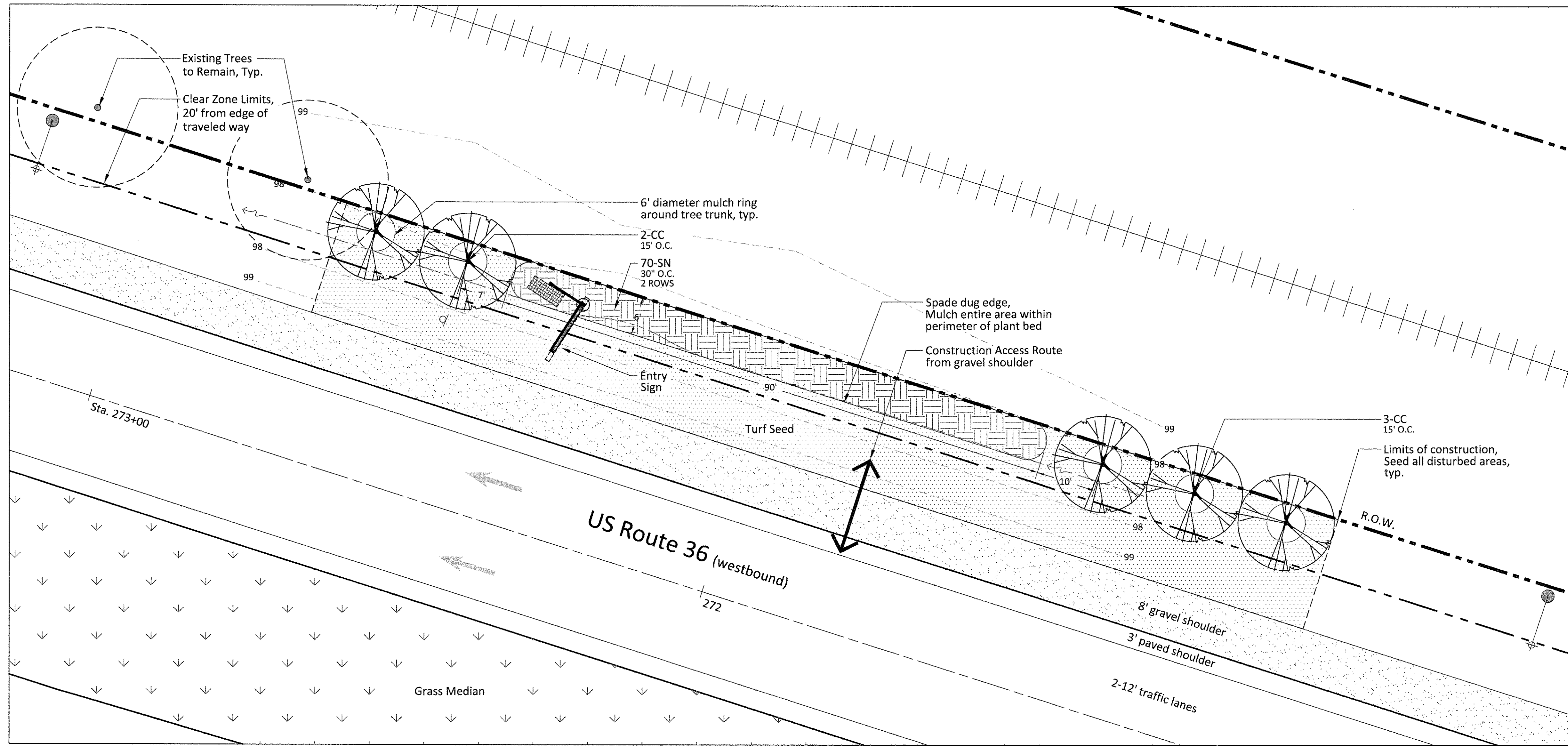


Location Map



UTILITY NOTES:

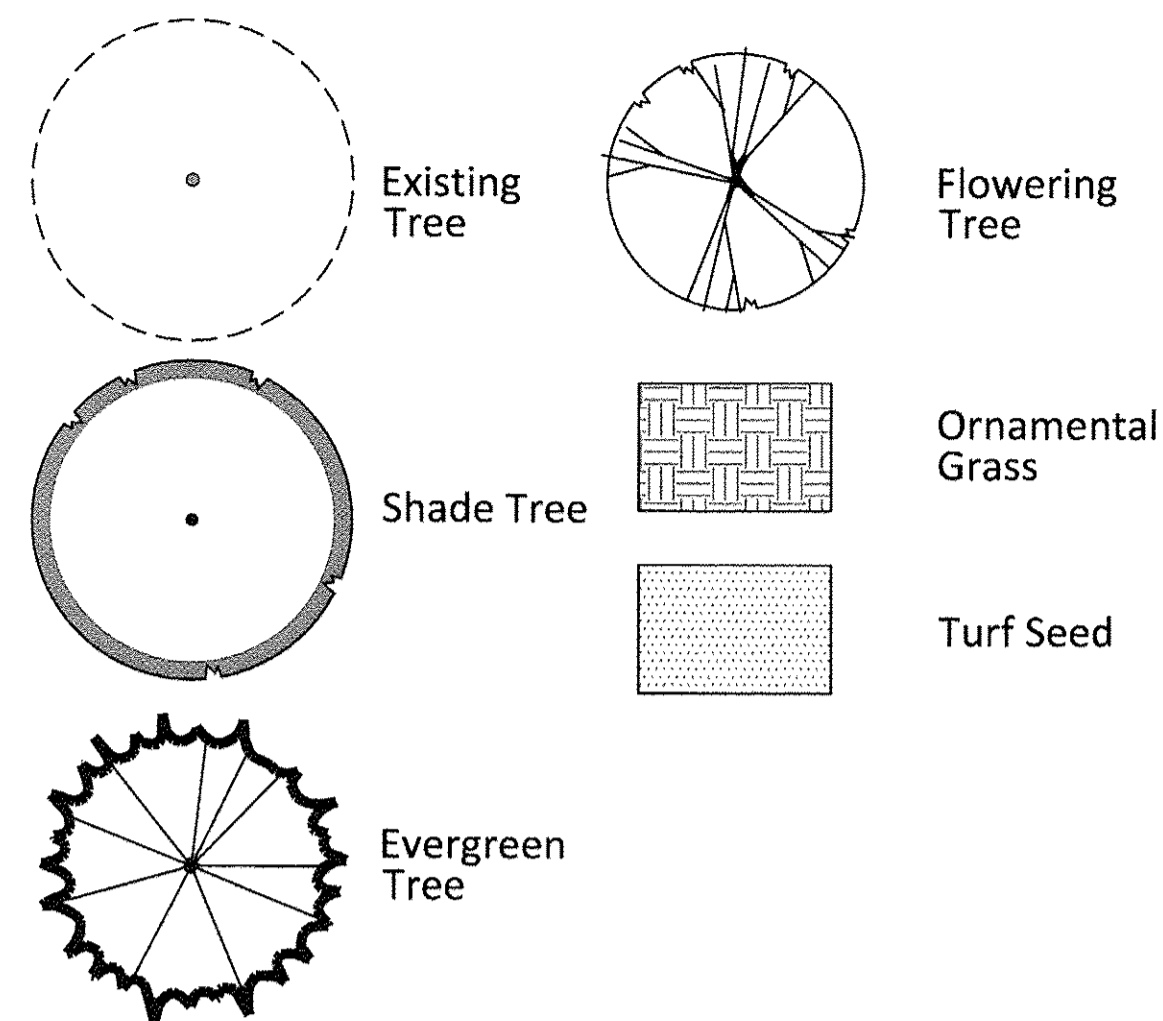
- CONTRACTOR TO CONTACT J.U.L.I.E. (1-800-892-0123) BEFORE DIGGING TO LOCATE UNDERGROUND UTILITIES.
- ALL UTILITY LOCATIONS ARE PER UTILITY AND CITY OF DECATUR RECORD DRAWINGS. SPECIFIC LOCATIONS WERE NOT EXCAVATED FOR FIELD VERIFICATION.



Site Plan



Plant Legend



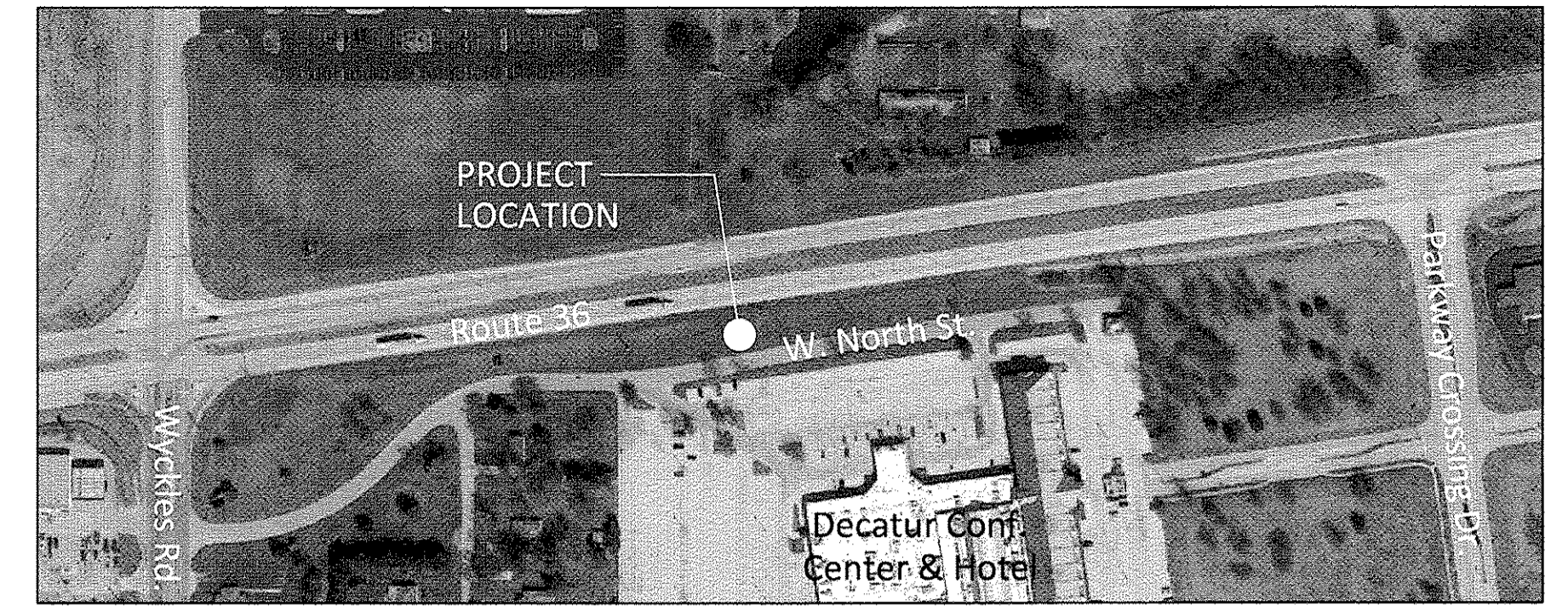
Plant Schedule - Sta. 240+00 to 242+25

QTY	SYM	BOTANICAL NAME	COMMON NAME	SIZE
SHADE TREE				
1	AS	ACER SACCHARUM 'GREEN MOUNTAIN'	GREEN MOUNTAIN SUGAR MAPLE	2.5" CAL., BB
EVERGREEN TREE				
3	JV	JUNIPERUS VIRGINIANA	EASTERN RED CEDAR	8' HT., BB
FLOWERING TREE				
3	CC	CERCIS CANADENSIS	EASTERN REDBUD	2" CAL., BB TREE FORM
ORNAMENTAL GRASS				
100	SN	SORGHASTRUM NUTANS 'INDIAN STEEL'	INDIAN STEEL INDIAN GRASS	1-GAL. WELL DEVELOPED

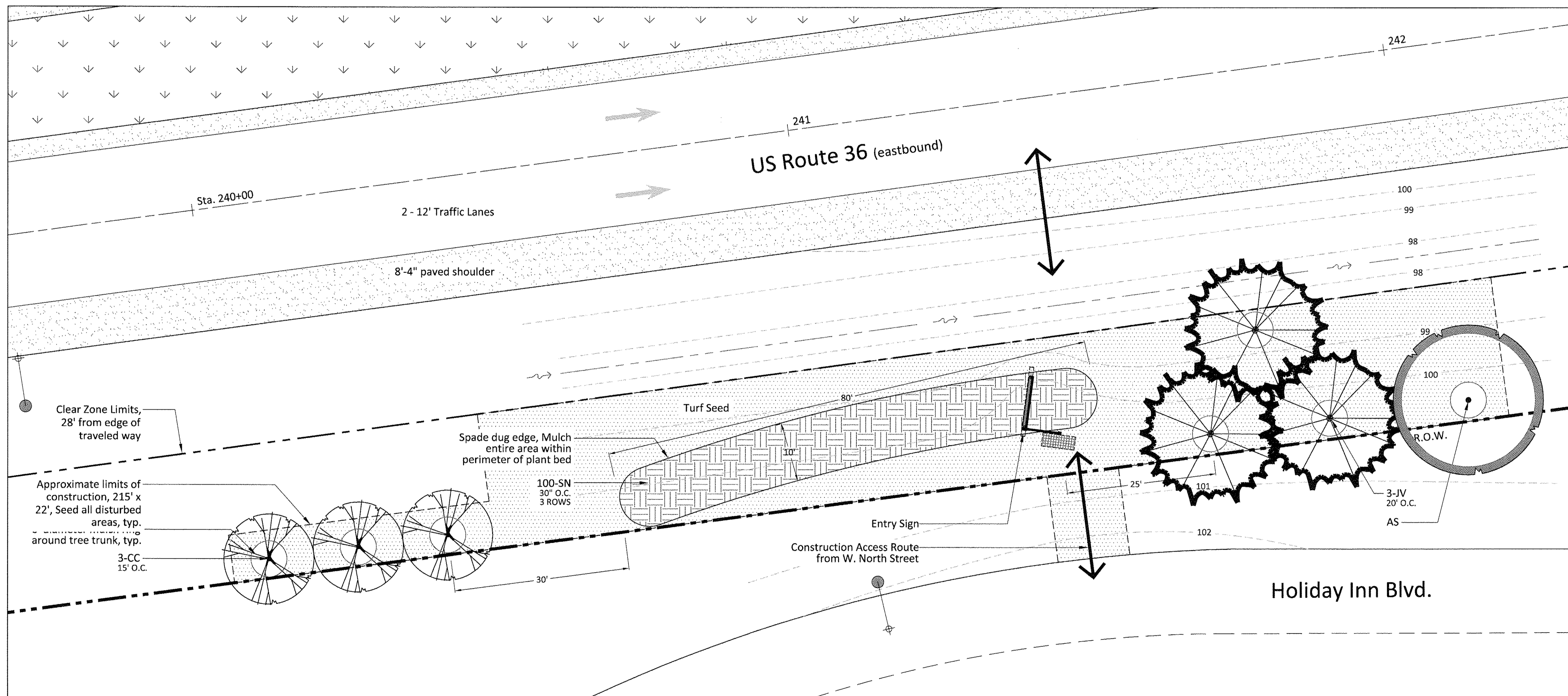
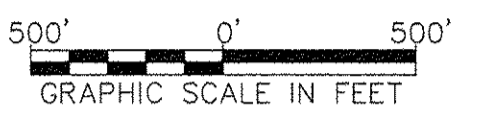
* See Sheet 6 for planting/seeding notes

Seeding Mix

CLASS 2A - SALT TOLERANT ROADSIDE MIXTURE	
COMMON NAME	LBS/ACRE
TALL FESCUE (INFERNO, TARHEEL II, QUEST, BLADE RUNNER, FALCON IV)	60
PERENNIAL RYEGRASS	20
RED FESCUE (AUDUBON, SEA LINK, EPIC)	30
HARD FESCUE (RESUCE 911, SPARTAN II, RELIANT IV)	30
FULTS SALT GRASS 1 OR SALTY ALKALIGRASS	60

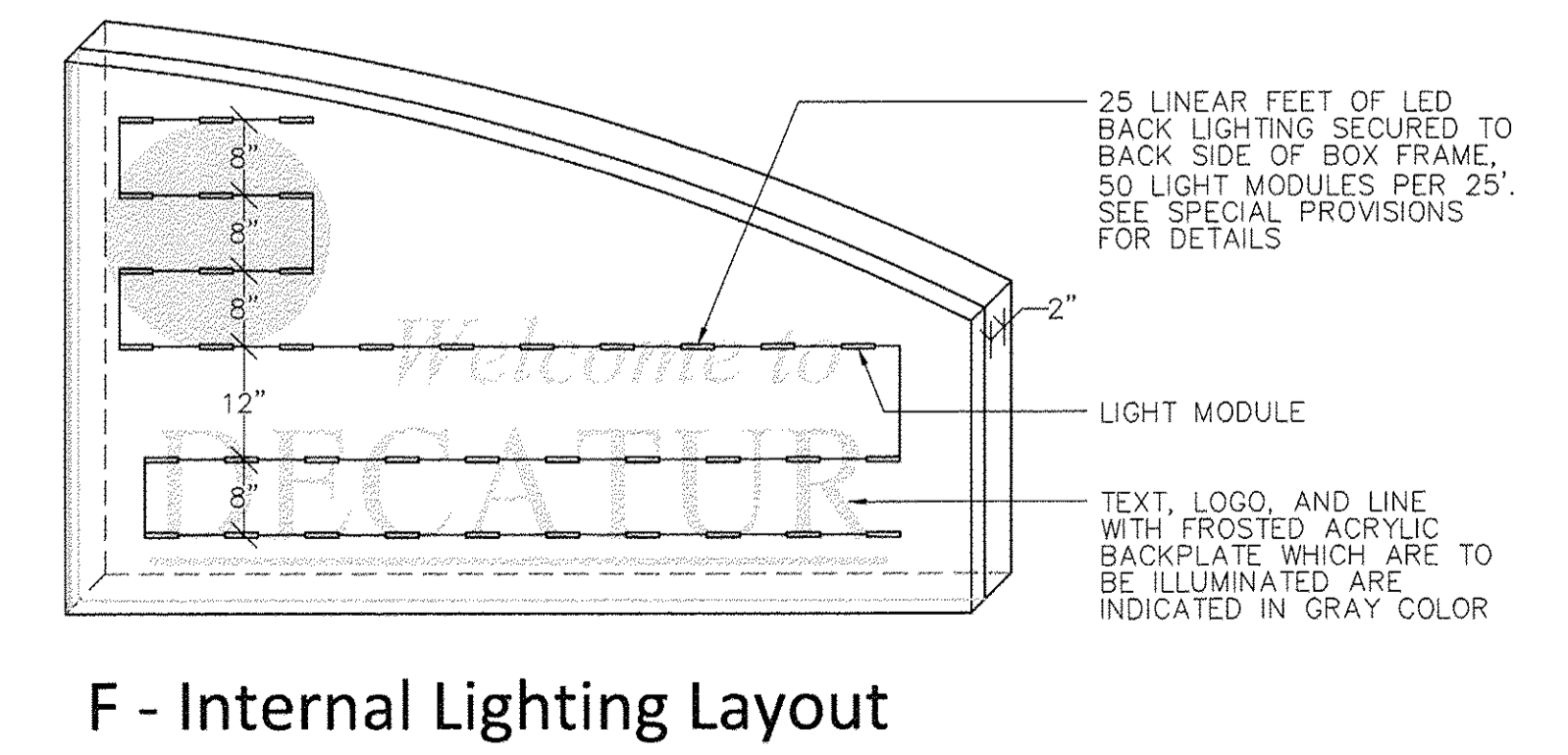
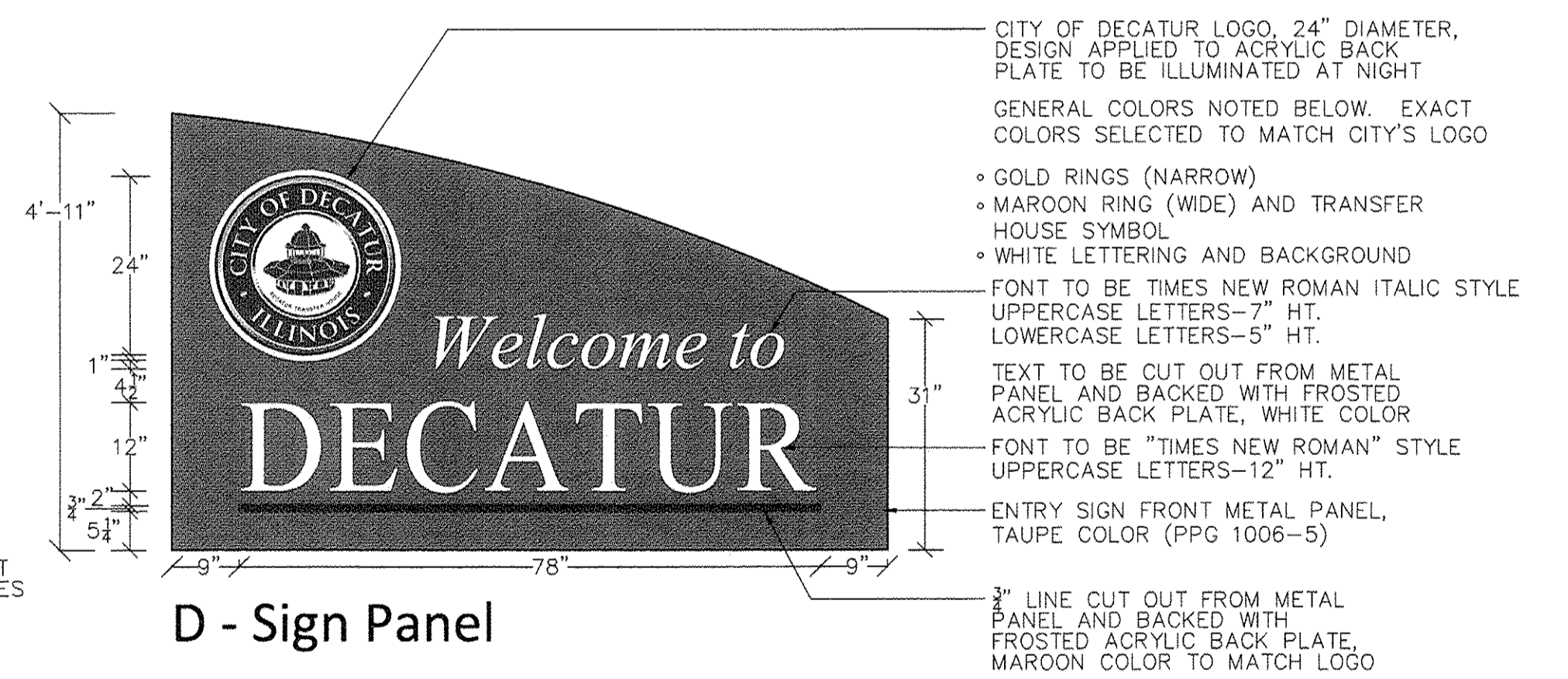
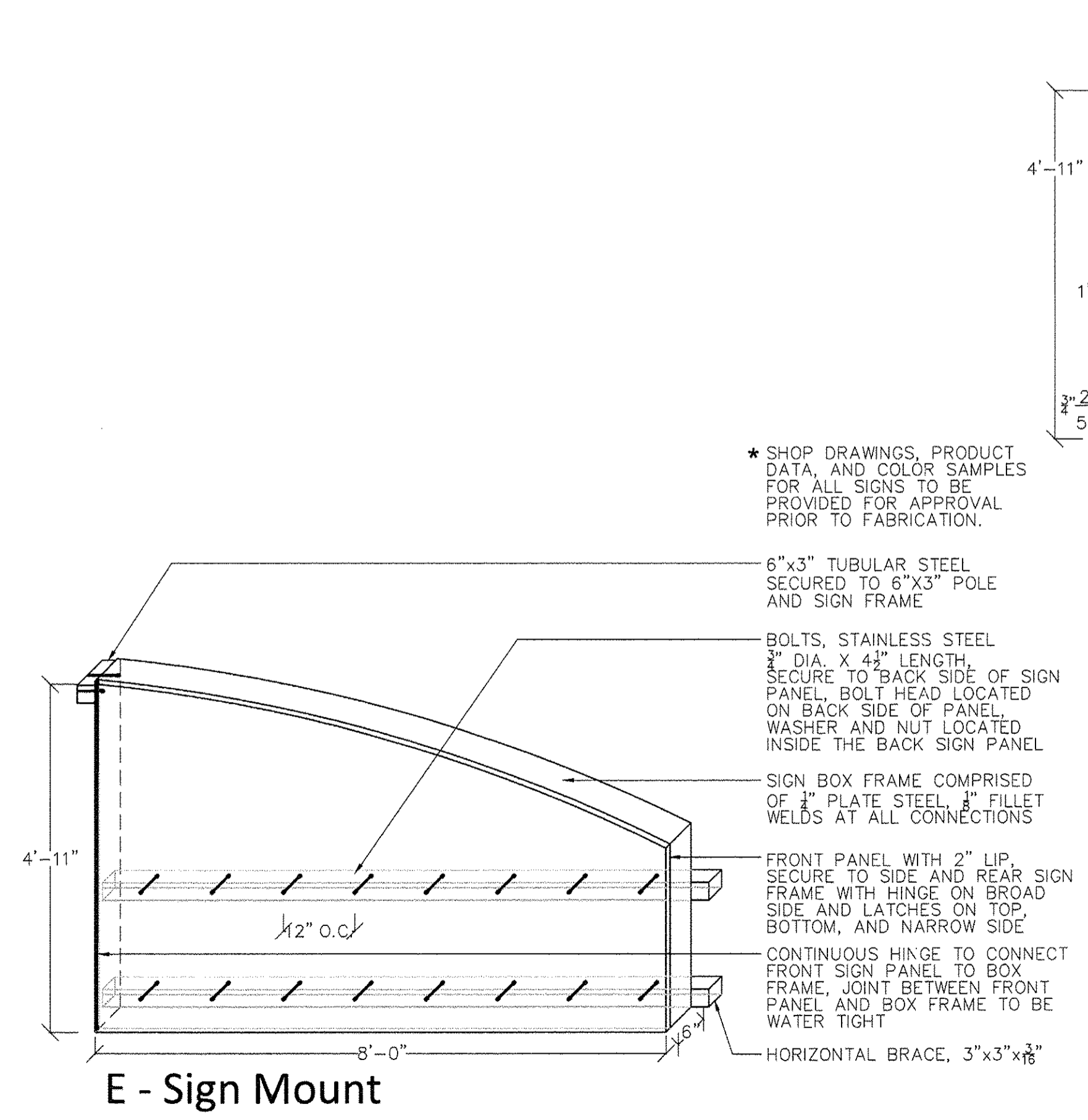
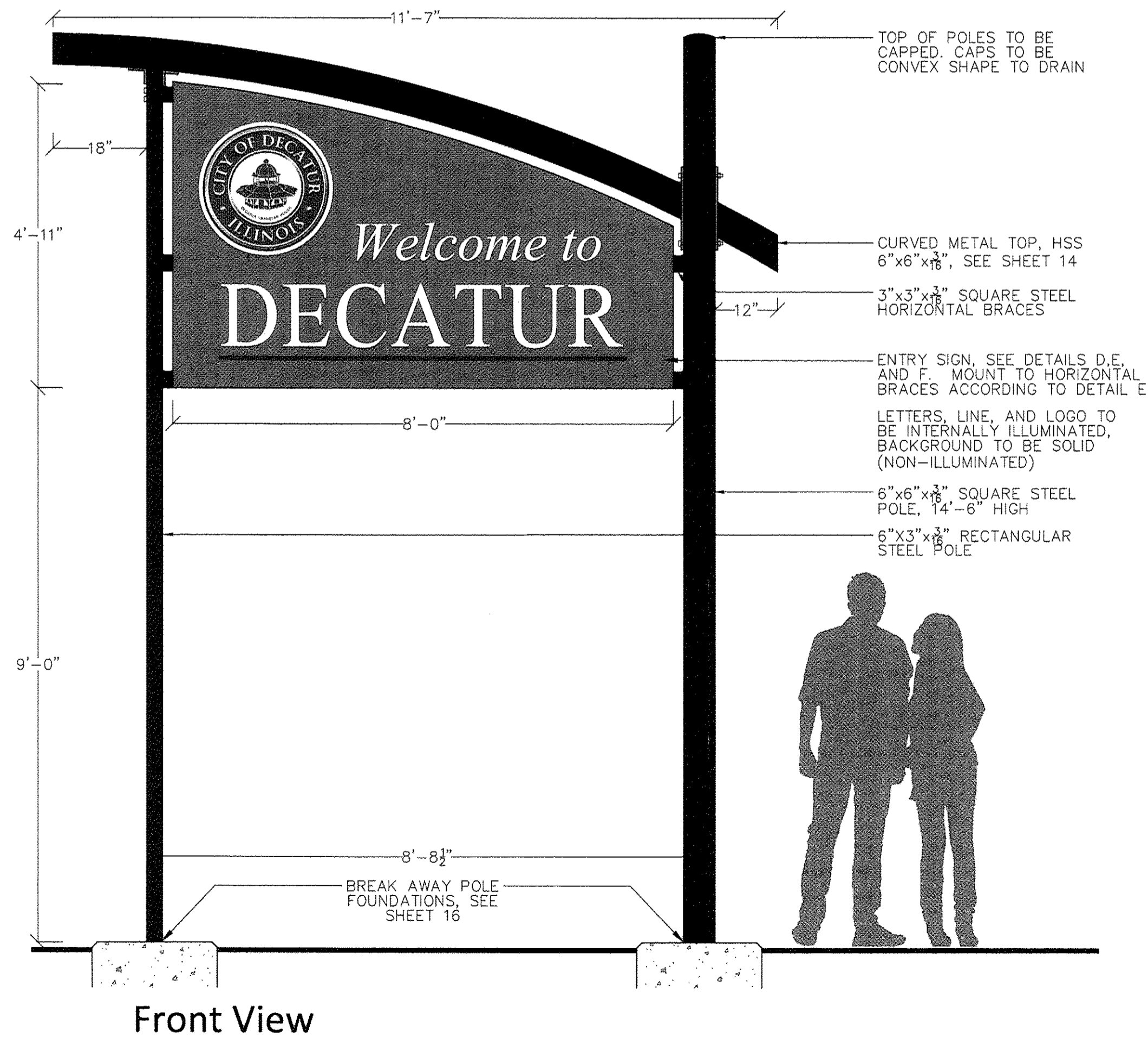
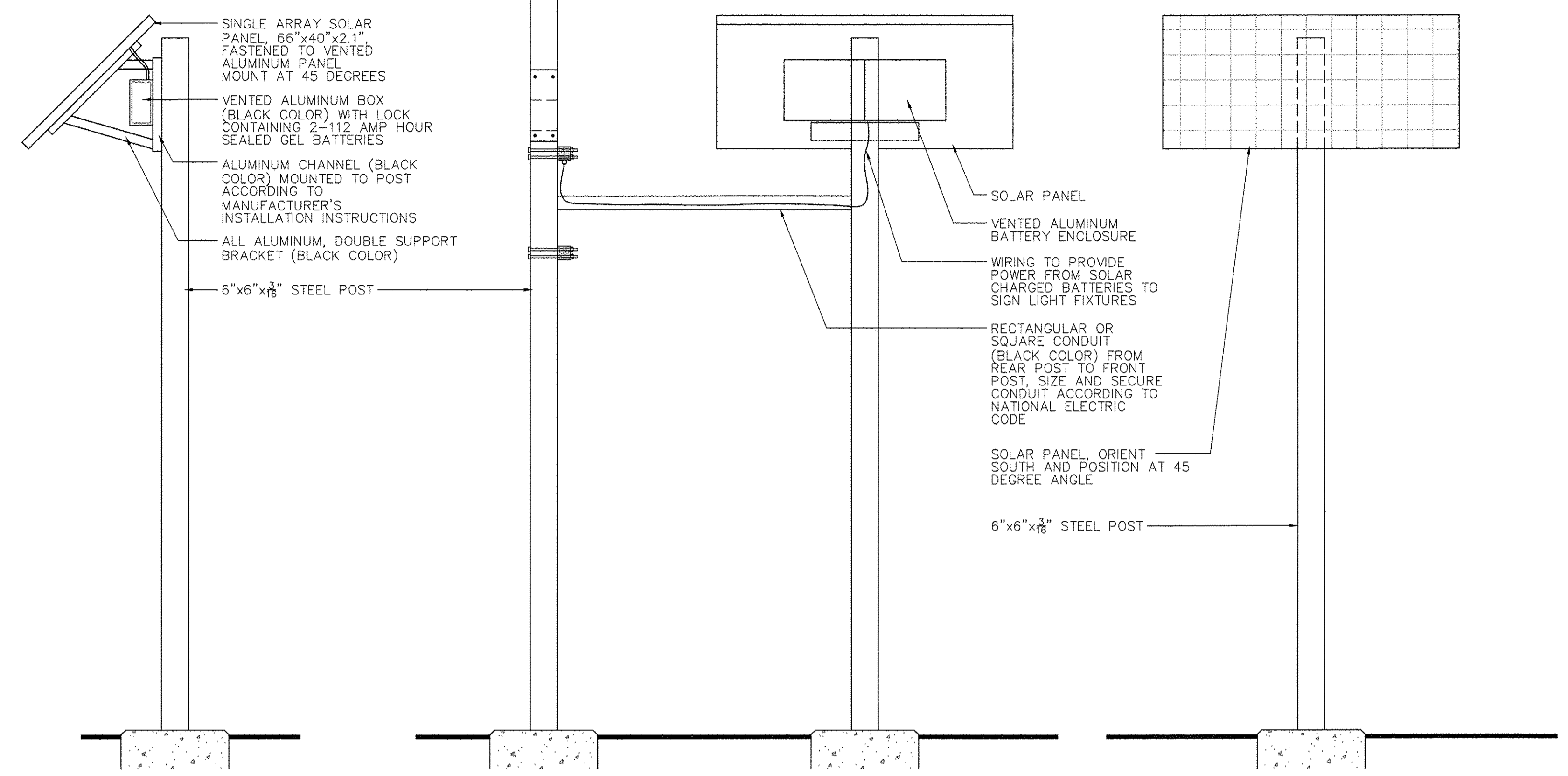
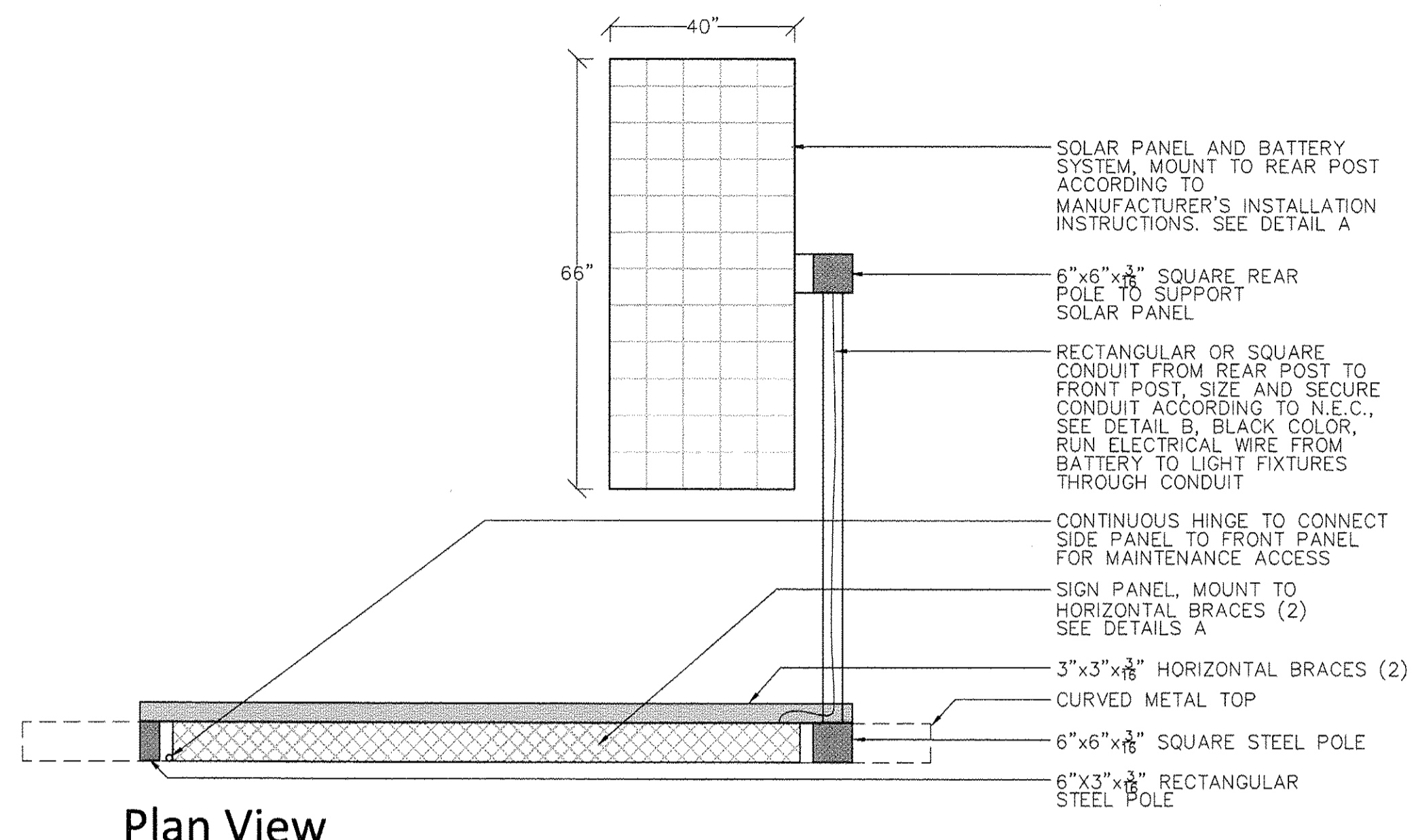


Location Map



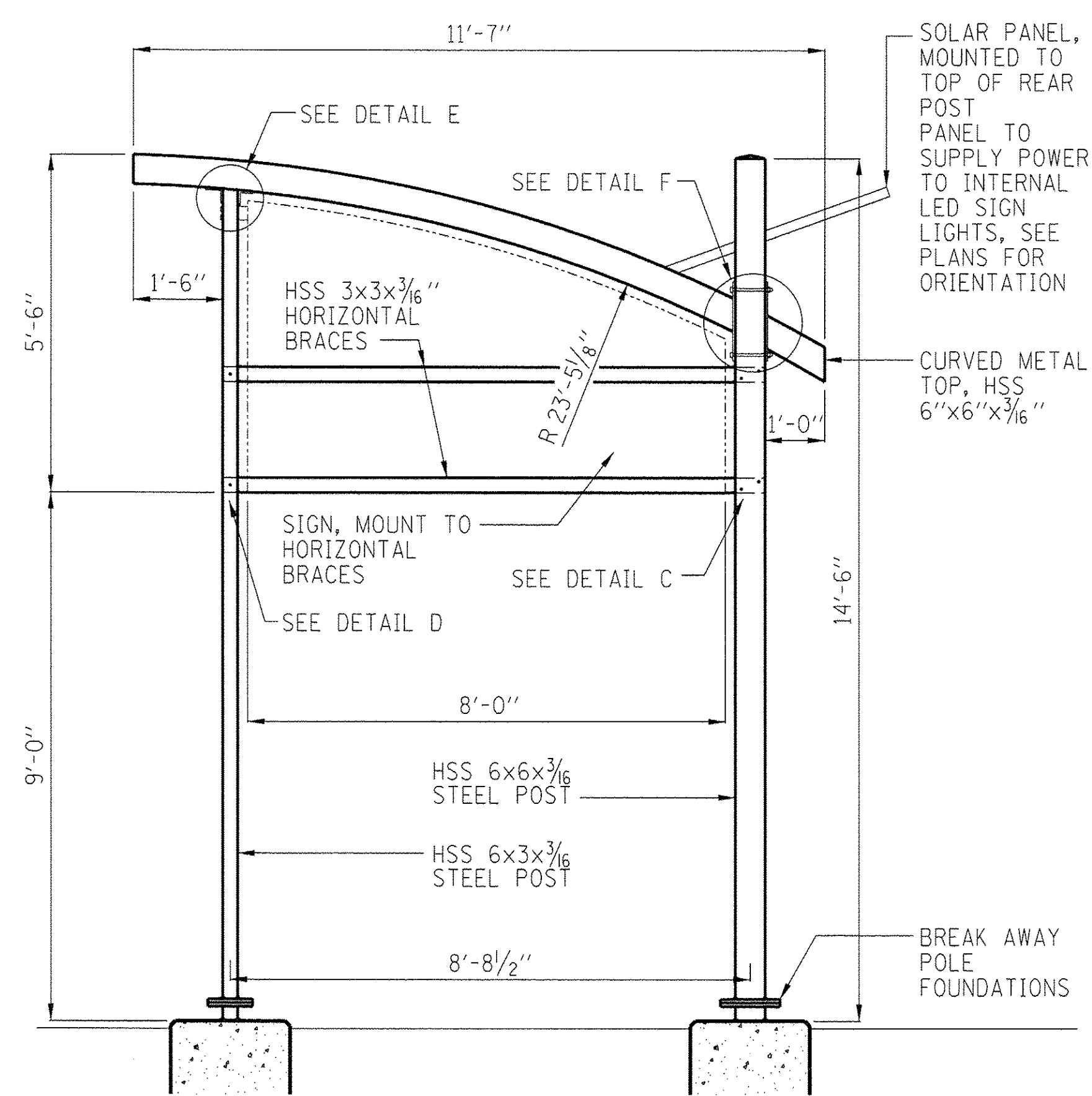
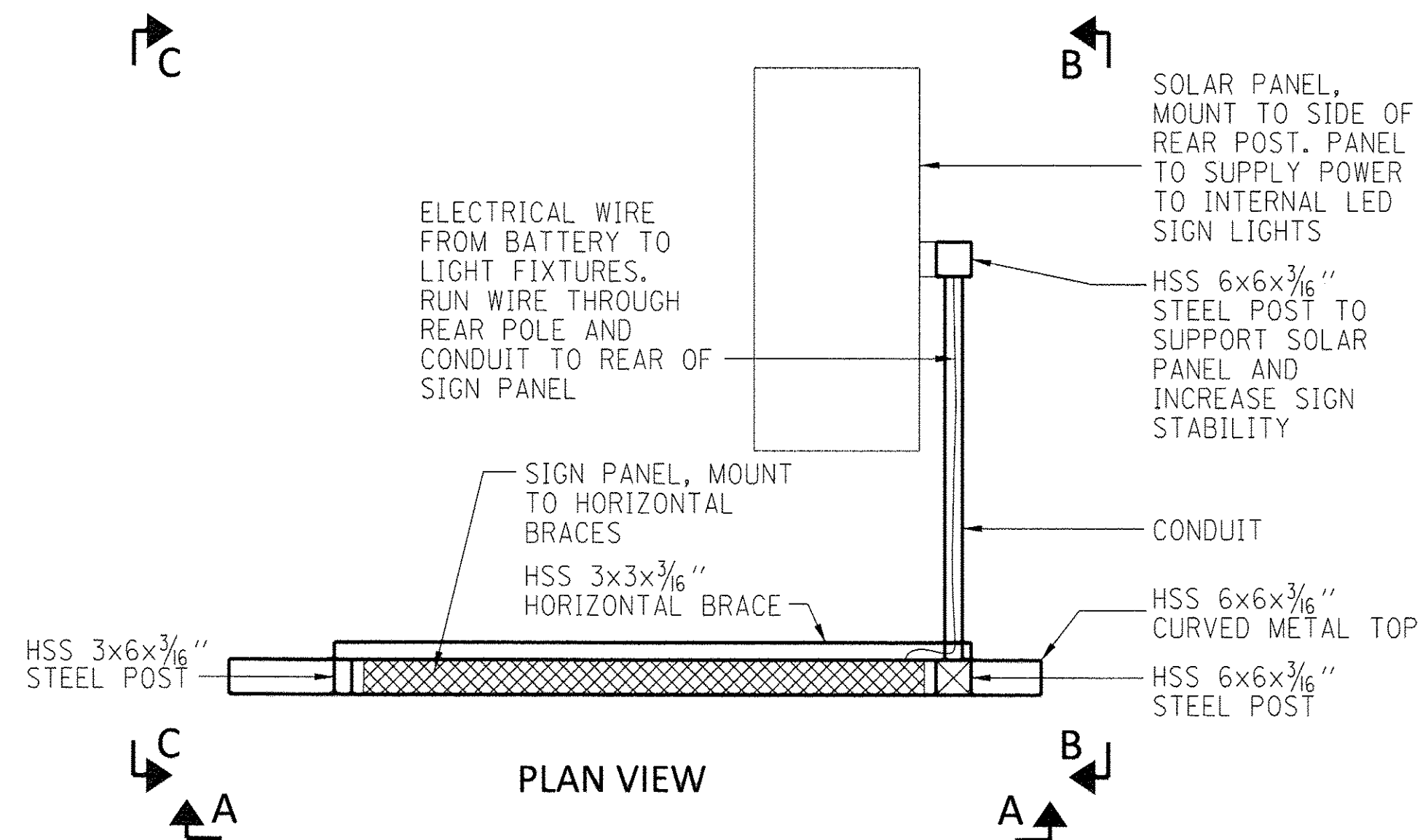
Site Plan





* SHOP DRAWINGS, PRODUCT DATA, AND COLOR SAMPLES FOR ALL SIGNS TO BE PROVIDED FOR APPROVAL PRIOR TO FABRICATION.

<p>Massie+Associates Landscape Architecture and Land Planning 1113 South 20th St., 5th Floor, Phoenix, AZ 85029 602.441.3100</p>	USER NAME = nbrumleve	DESIGNED -- KLM	REVISED --	STATE OF ILLINOIS DEPARTMENT OF TRANSPORTATION	CORRIDOR MONUMENT INSTALLATION PROJECT CITY OF DECATUR ENTRY SIGN AND SOLAR PANELS				F.A.P. RTE.	SECTION	COUNTY	TOTAL SHEETS	SHEET NO.
	PLOT SCALE = 1"=10'	DRAWN -- NFB	REVISED --		323	10-00012-00-MS	MACON	34	13				
	PLOT DATE = 03/24/2017	CHECKED -- KLM	REVISED --		710	CONTRACT NO. 95809							
		DATE -- 03/24/2017	REVISED --		ILLINOIS FED. AID PROJECT								
					SCALE: 1"=10'	SHEET	OF	SHEETS	STA.	TO	STA.		



SECTION A-A
ENTRY SIGN

STRUCTURAL STEEL

1. ALL STEEL CONSTRUCTION AND MATERIALS SHALL CONFORM TO ASCE-7-10 AND REQUIREMENTS OF THE AISC MANUAL OF STEEL CONSTRUCTION, 14TH EDITION.
2. ALL STRUCTURAL STEEL SHALL CONFORM TO ASTM A500, GRADE B FOR HOLLOW STRUCTURAL STEEL SHAPES (HSS) AND A36 FOR PLATES.
3. ALL WELDING SHALL BE DONE BY AWS CERTIFIED WELDERS. ALL WELDING SHALL USE LOW HYDROGEN E-70 ELECTRODES CONFORMING TO AWS A5.18 OR APPROVED ALTERNATE. WELDING SHALL CONFORM TO THE PROVISIONS OF THE LATEST WELDING CODE (AWS D1.1)
4. ALL CONNECTIONS SHALL BE WELDED OR BOLTED IN ACCORDANCE WITH THE DETAILS, SPECIFICATIONS AND THE 14TH EDITION OF THE AISC HANDBOOK. BOLTS SHALL BE ASTM A325-N, 1/2" MIN DIAMETER UNLESS SHOWN OTHERWISE.
5. ALL HSS MEMBERS SHALL HAVE THE ENDS CLOSED WITH PLATES OF A MINIMUM THICKNESS OF 3/16"
6. LISTED THICKNESS OF BASE PLATES IS NET FINISH THICKNESS AFTER MILLING. BASE PLATES MAY BE PRESSED FLAT AT CONTRACTORS OPTION.

GENERAL NOTES

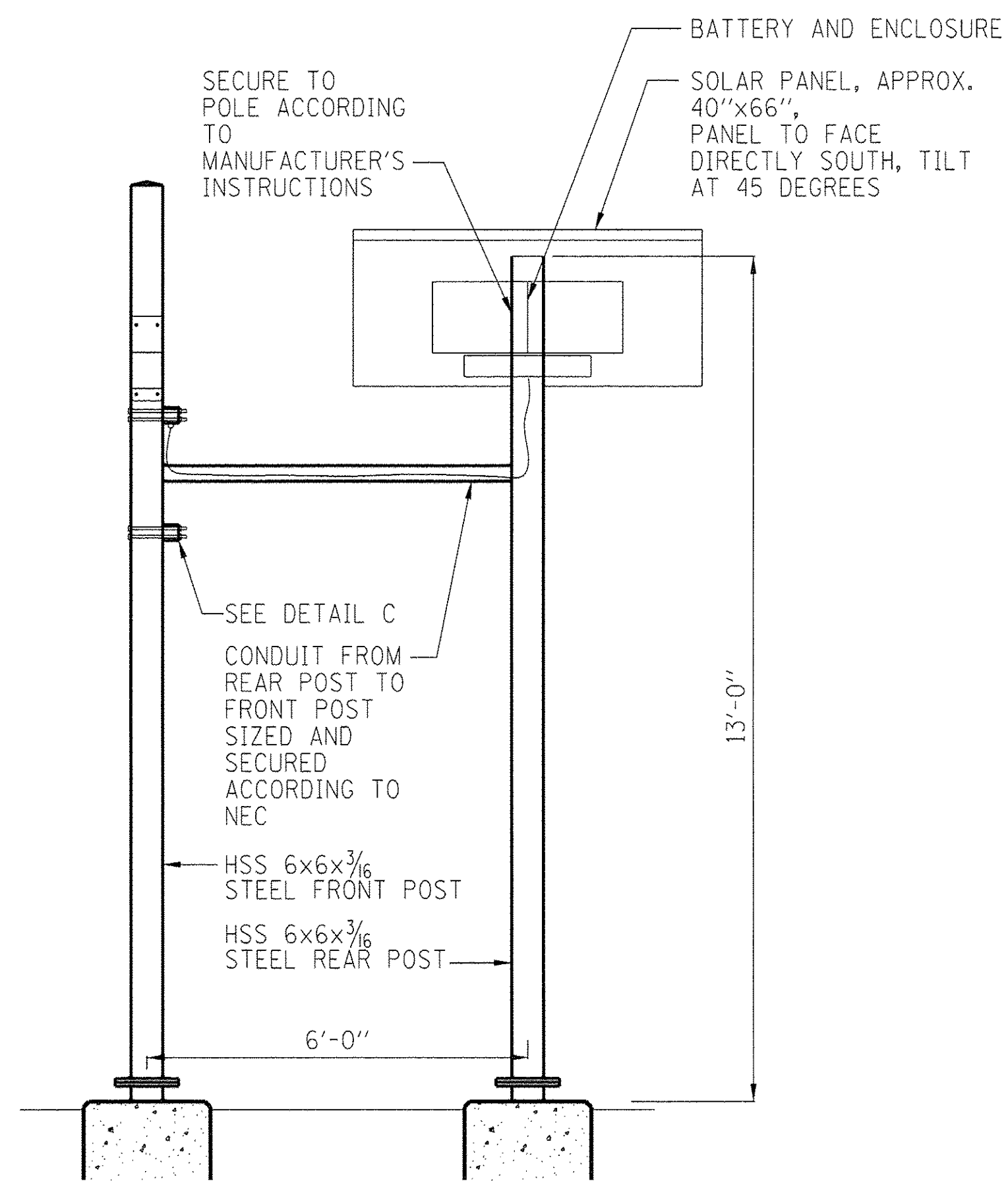
1. ALL BOLTED CONNECTIONS SHALL USE LOCK WASHERS, THREAD LOCKING COMPOUND, LOCK NUTS, OR ANY COMBINATION OF THE THREE.

DESIGN STRESSES

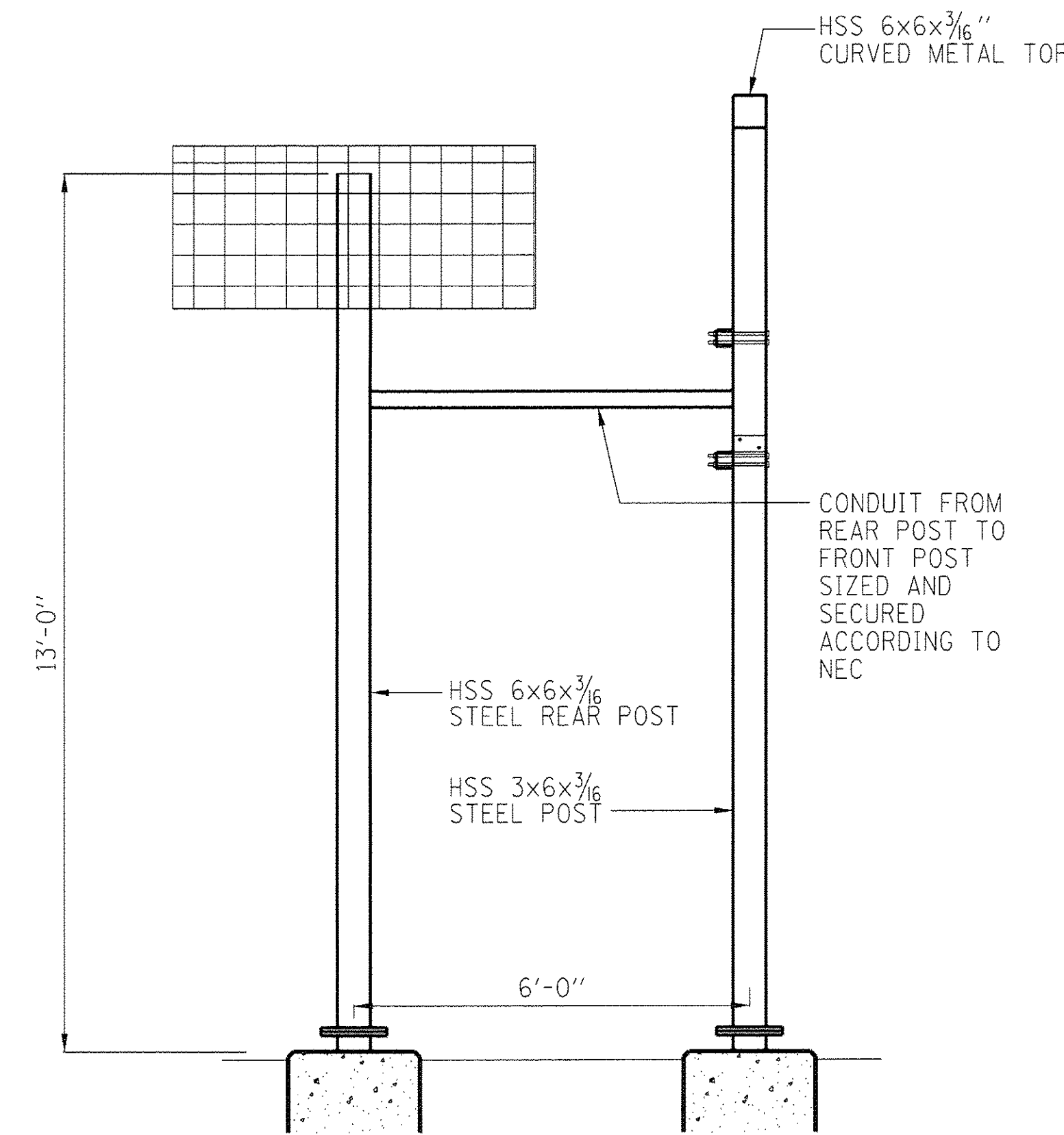
FY = 46 KSI (HSS)
FY = 36 KSI (PLATES)

LOADING CRITERIA (ASCE 7-10)

DEAD LOAD: AS CALCULATED
WIND LOAD: DESIGN WIND LOADS BASED ON SOLID SIGNS
BASIC WIND SPEED: 105 MPH
EXPOSURE: C
IMPORTANCE FACTOR: 1.0
TOPOGRAPHY FACTOR (K_{ZT}): 1.0



SECTION B-B



SECTION C-C

FILE NAME = I:\1001\6550 - Decatur Corridor Signs\CADD\Structural\SignFrame2.dgn

CHASTAIN & ASSOCIATES LLC
CONSULTING ENGINEERS
184-001397

USER NAME = abenz
PLOT TIME = 12:57:47 PM
PLOT SCALE = 2.0000' / 1" \pm
PLOT DATE = 02/03/2017

DESIGNED - ACB
DRAWN - RLK
CHECKED - JMB
DATE - 03/24/2017

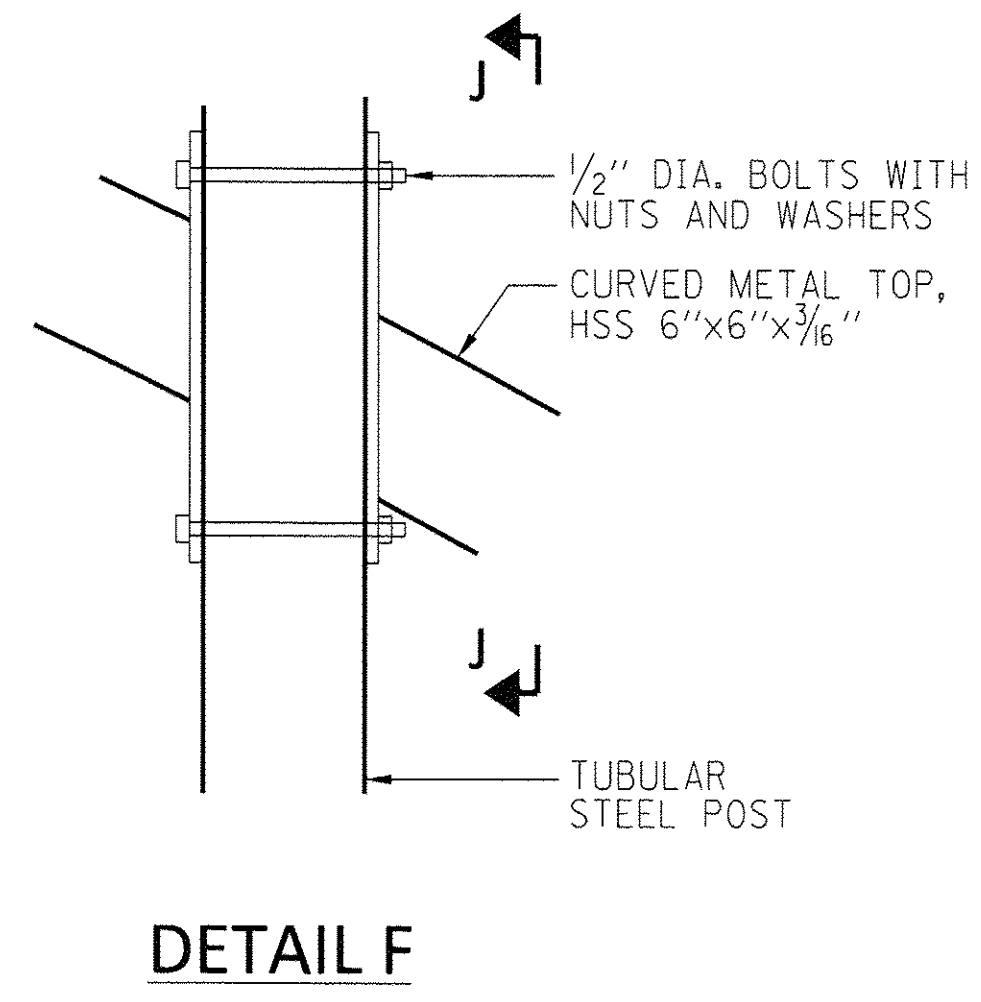
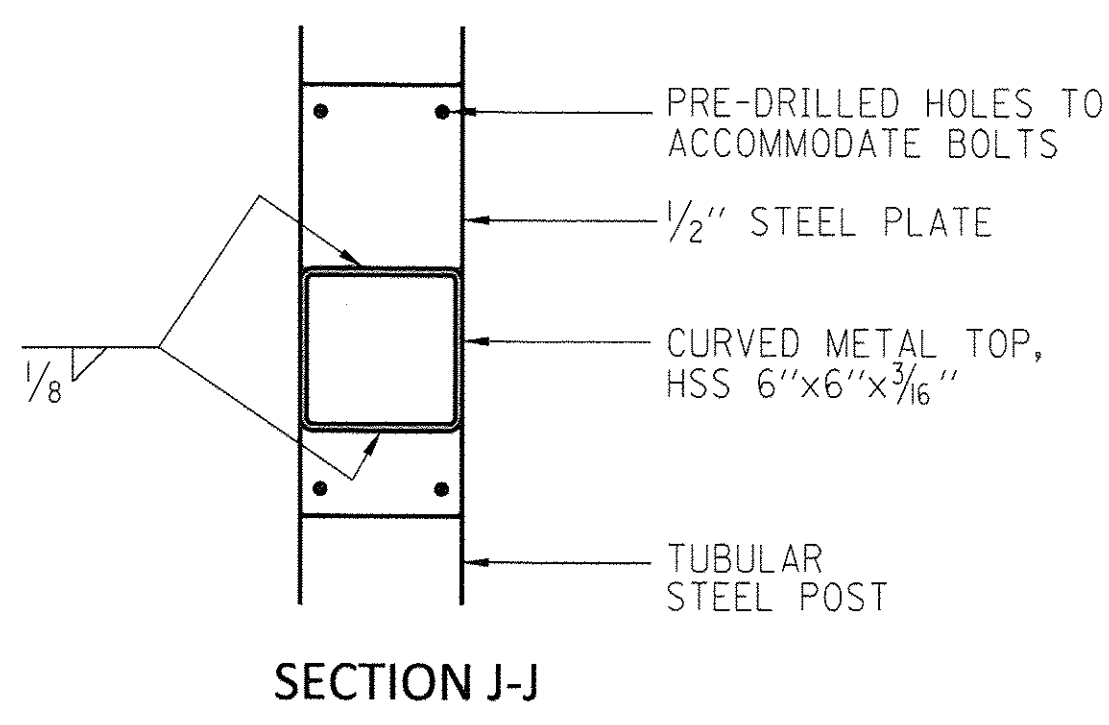
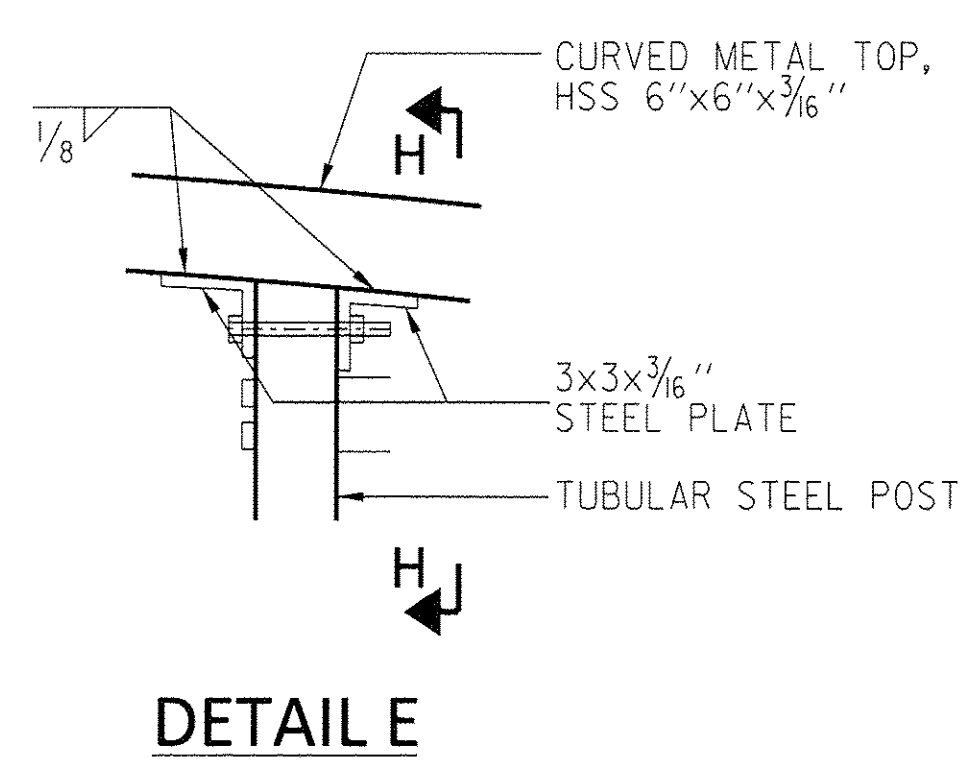
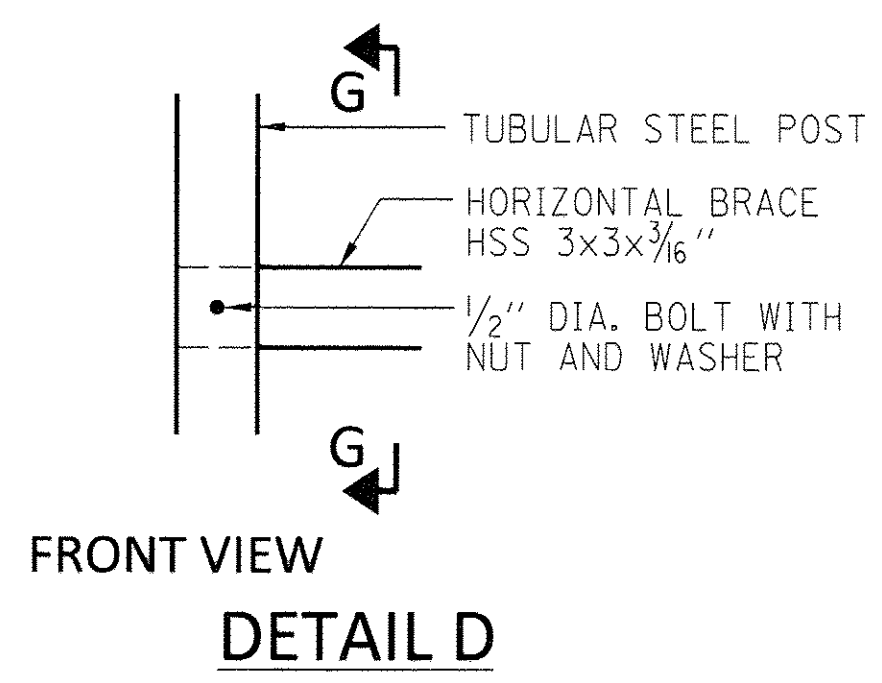
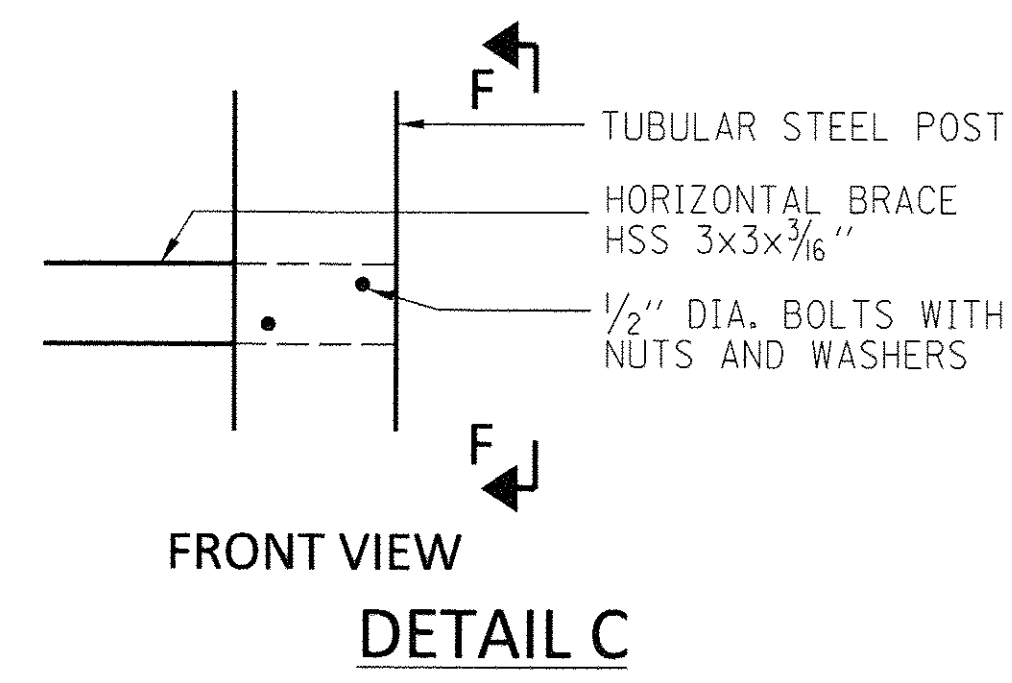
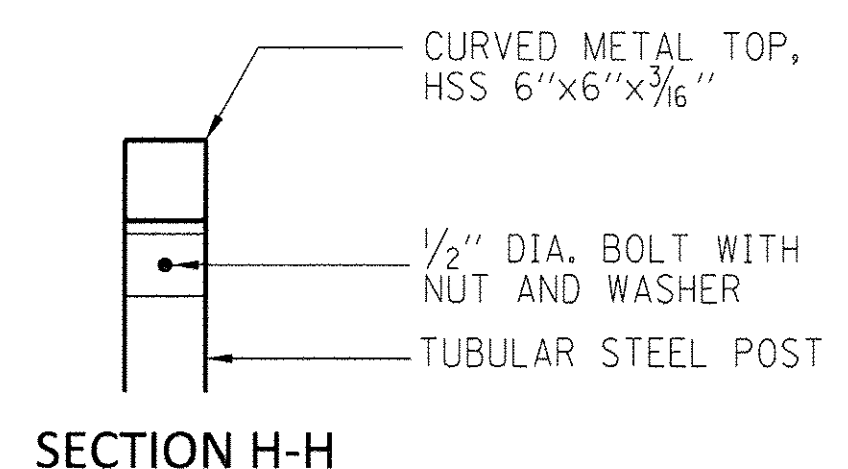
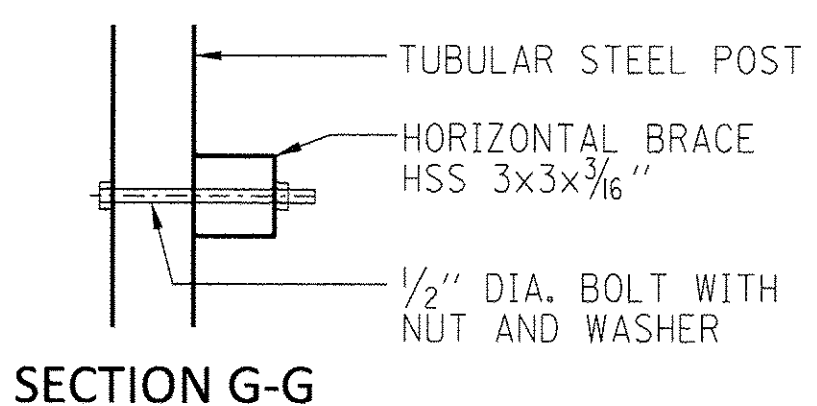
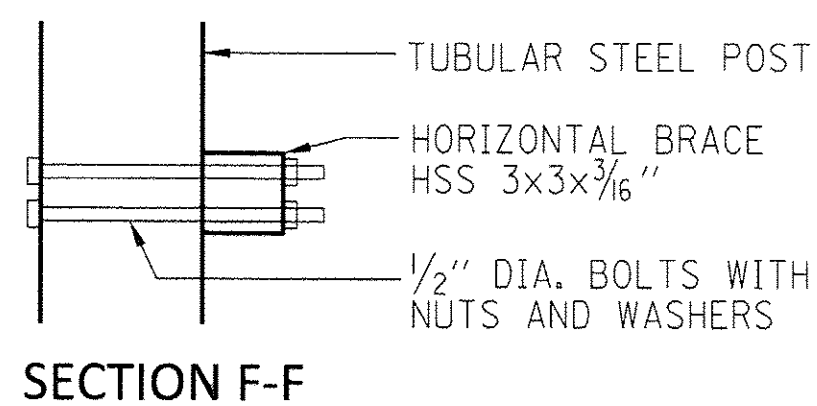
REVISED -
REVISED -
REVISED -
REVISED -

STATE OF ILLINOIS
DEPARTMENT OF TRANSPORTATION

CORRIDOR MONUMENT INSTALLATION PROJECT
CITY OF DECATUR
ENTRY SIGNS

SHEET NO. OF SHEETS

F.A.P. RTE.	SECTION	COUNTY	TOTAL SHEETS	SHEET NO.
323	10-00012-00-MS	MACON	34	14
710	CONTRACT NO. 95809			
ILLINOIS FED. AID PROJECT				



FILE NAME = I:\DOT\6550 - Decatur Corridor Signs\CADD\Structural\SignFrame2.dgn

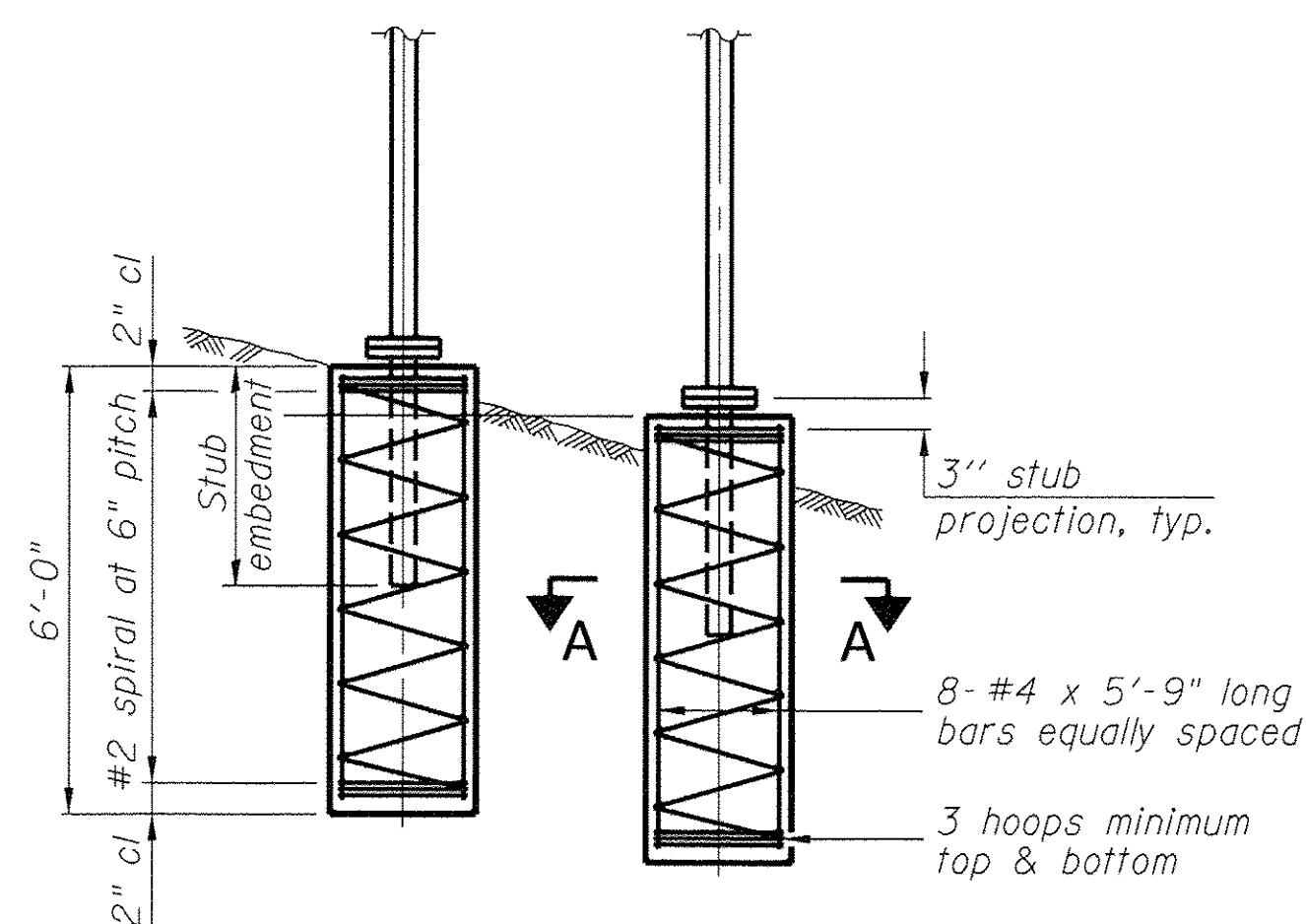
CHASTAIN & ASSOCIATES LLC
CONSULTING ENGINEERS
184-001397

USER NAME = abenz	DESIGNED - <i>ACB</i>	REVISED -
PLOT TIME = 12:57:54 PM	DRAWN - <i>RLK</i>	REVISED -
PLOT SCALE = 2.0000' / 1"	CHECKED - <i>JMB</i>	REVISED -
PLOT DATE = 02/03/2017	DATE - <i>03/24/2017</i>	REVISED -

**STATE OF ILLINOIS
DEPARTMENT OF TRANSPORTATION**

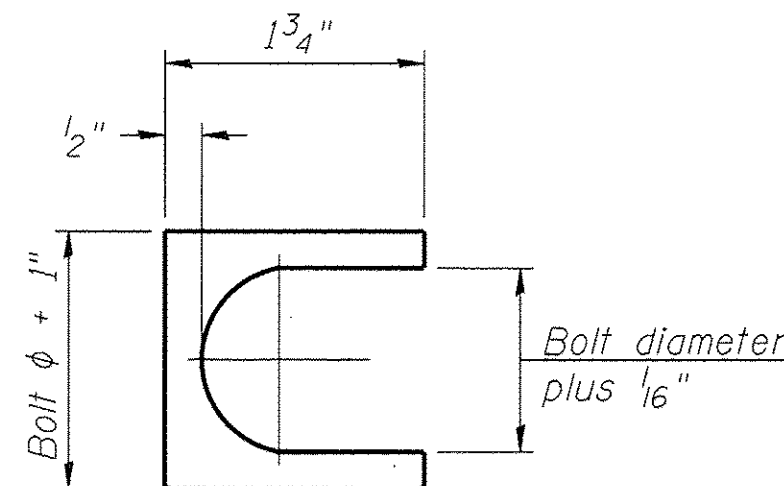
**CORRIDOR MONUMENT INSTALLATION PROJECT
CITY OF DECATUR
SIGN FRAMING DETAILS**

F.A.P. RTE. 323	SECTION 10-00012-00-MS	COUNTY MACON	TOTAL SHEETS 34	SHEET NO. 15
CONTRACT NO. 95809				
SHEET NO. OF SHEETS				
ILLINOIS FED. AID PROJECT				



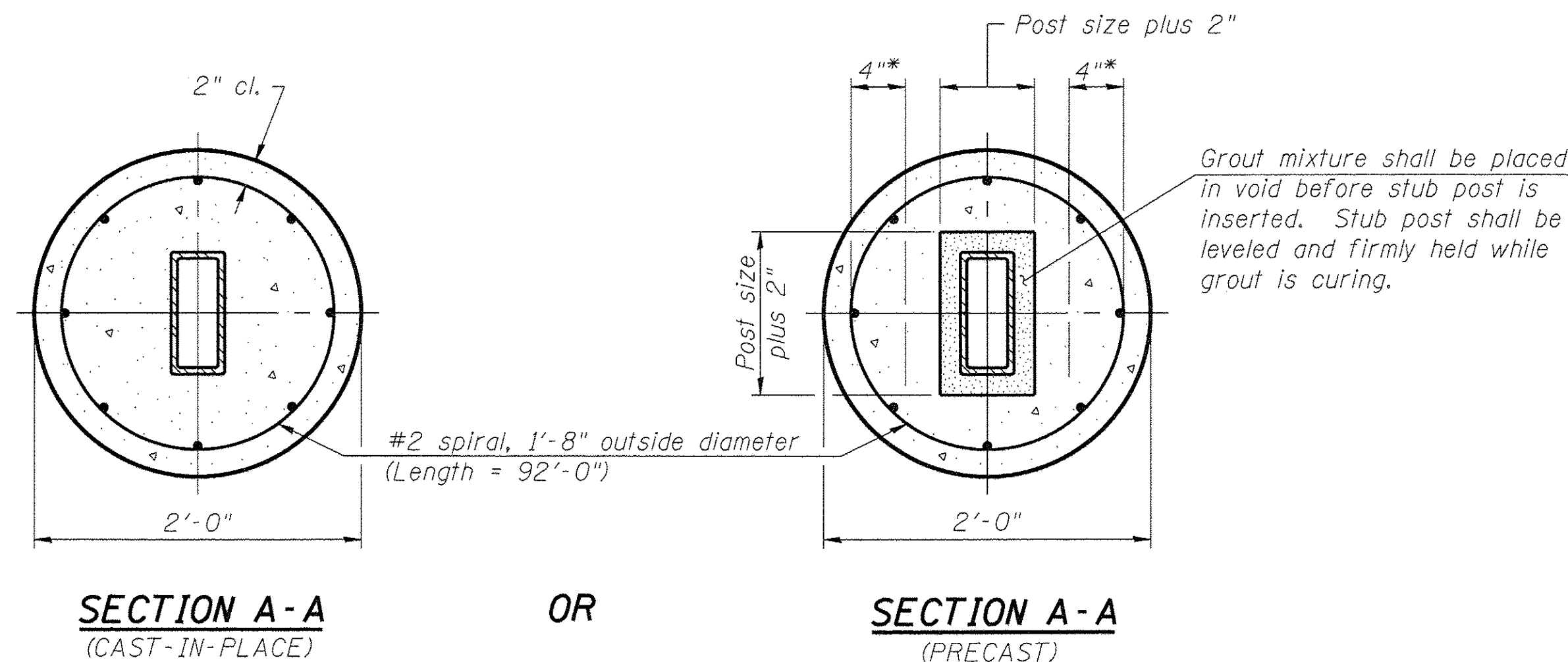
ENTRY SIGN FOUNDATION

MAIN POST STEEL TUBING	WEIGHT PER FOOT (POUND)	STUB POST TABLE		MAIN POST TABLE				
		Stub Embedment	Stub Post Length	Bolt Size	A	t	R	Bolt Circle
6" x 3" x 3/16"	10.70	2'-3"	2'-6"	3/4" x 3/2"	11 1/2"	3/4"	13/32"	9 1/2"
6" x 6" x 3/16"	14.53	2'-3"	2'-6"	3/4" x 3/2"	11 1/2"	3/4"	13/32"	9 1/2"
6" x 6" x 1/4"	19.02	2'-3"	2'-6"	3/4" x 3/2"	11 1/2"	3/4"	13/32"	9 1/2"



SHIM DETAIL

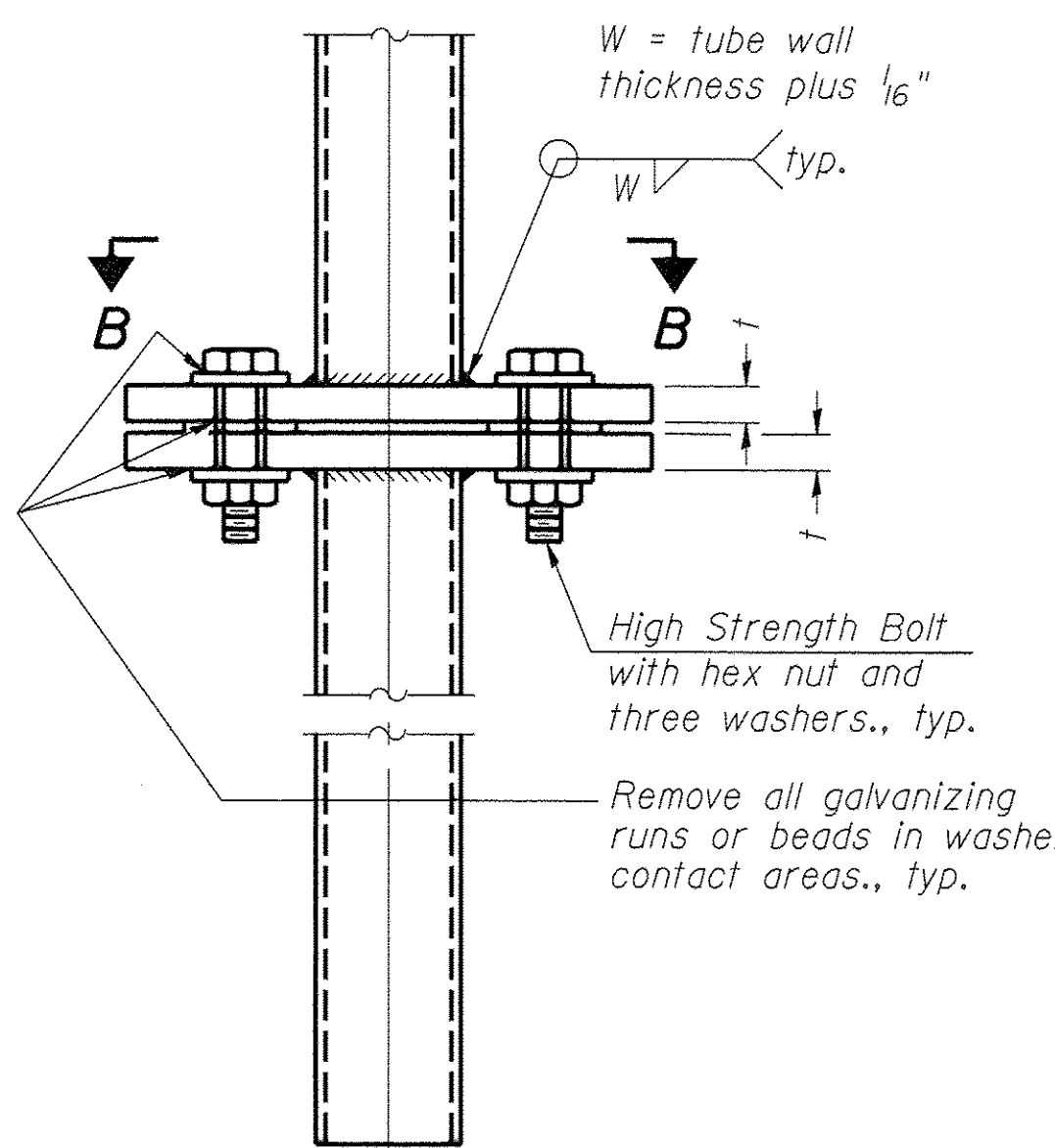
Furnish two 0.01" thick and two 0.03" thick stainless steel or brass (ASTM B36) shims per post.



SECTION A-A (CAST-IN-PLACE)

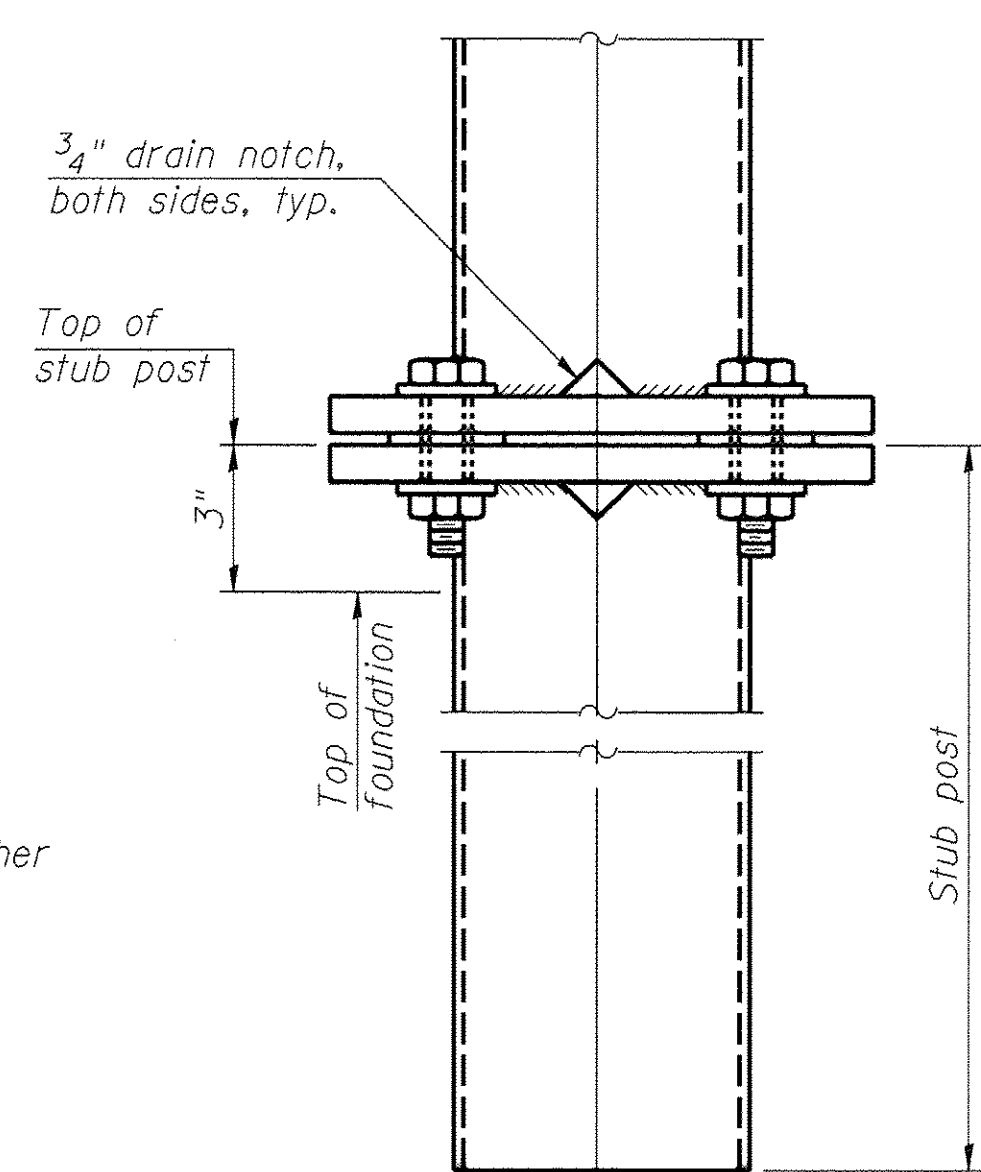
OR

SECTION A-A (PRECAST)

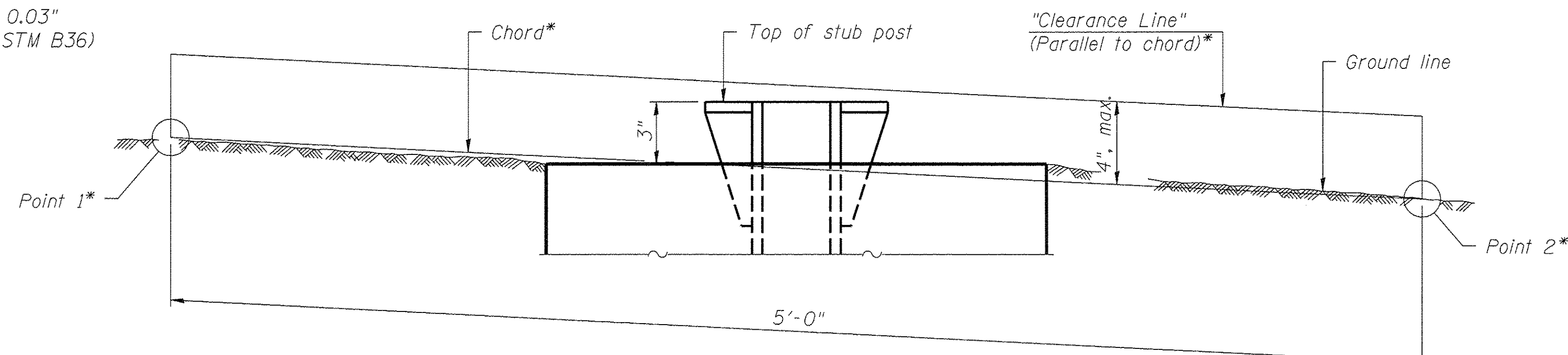


FRONT ELEVATION

BREAK-AWAY CONNECTION

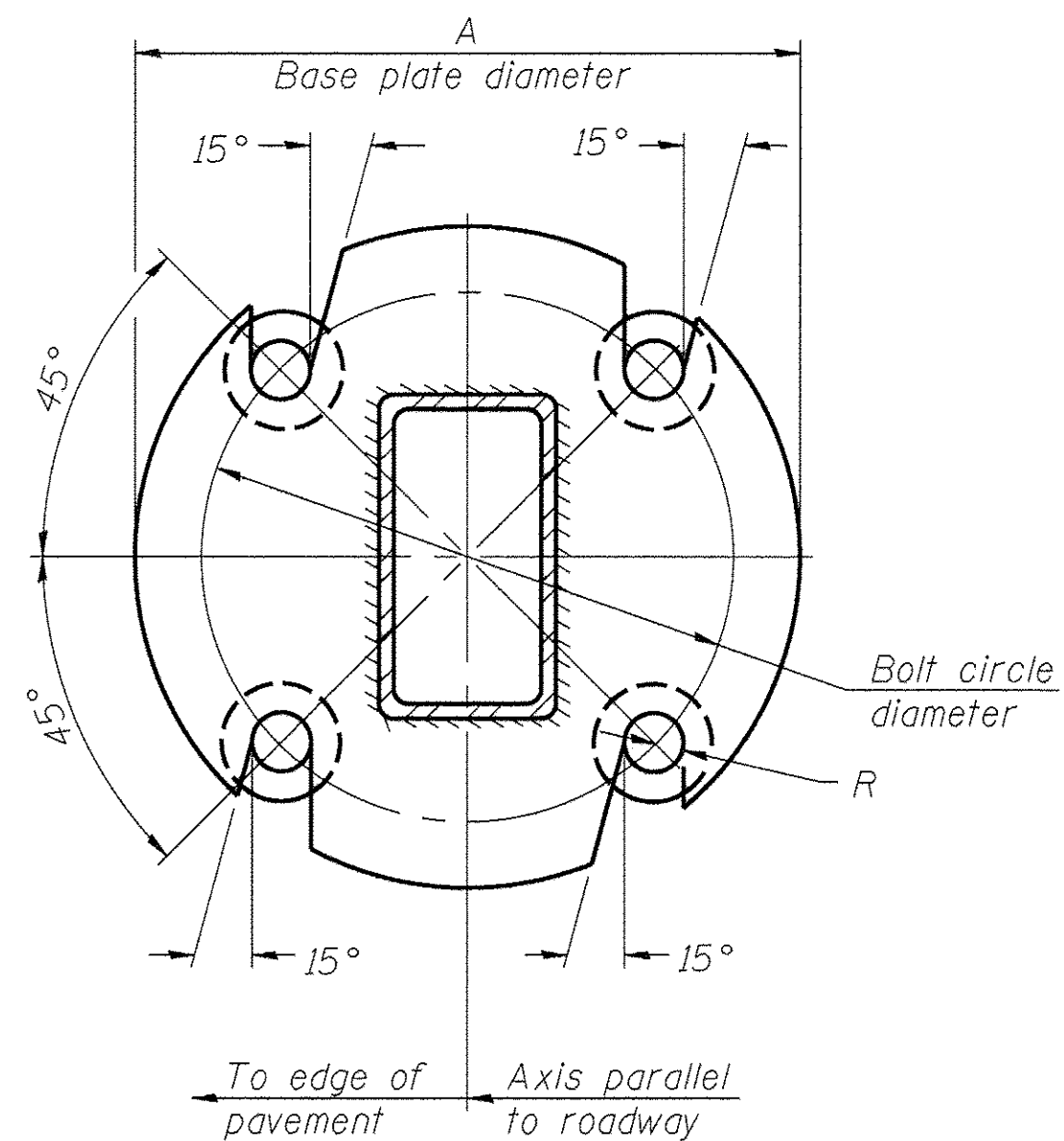


SIDE ELEVATION



ELEVATION GROUND LINE & STUB POST

* Hot dip galvanized lifting loops or inserts may be placed in precast foundation inside the spiral reinforcement but not within 6" of the long axis of the post. Inserts must be adequate for safely lifting a total of 3,000 pounds and must not interfere with installation of the stub post or proper functioning of the slip base.



SECTION B-B

GENERAL NOTES

Posts shall be plumbed by using shims with post-to-stub post connection bolts snug tight only. Final tightening of all High Strength Bolts shall be in accordance with Article 727.05 and threads at the junction of the bolt and nut shall be burred or center punched to prevent the nut from loosening.

One foundation requires 0.7 cubic yards of concrete and 46 pounds of reinforcement bars and spiral hoops.

All necessary excavation or drilling (except in rock); backfilling with excavated material; disposal of unsuitable or surplus material; formwork; and furnishing and placing the Class SI Concrete and reinforcement bars, shall be included in the pay item used for Entry Signs.

DESIGN STRESSES

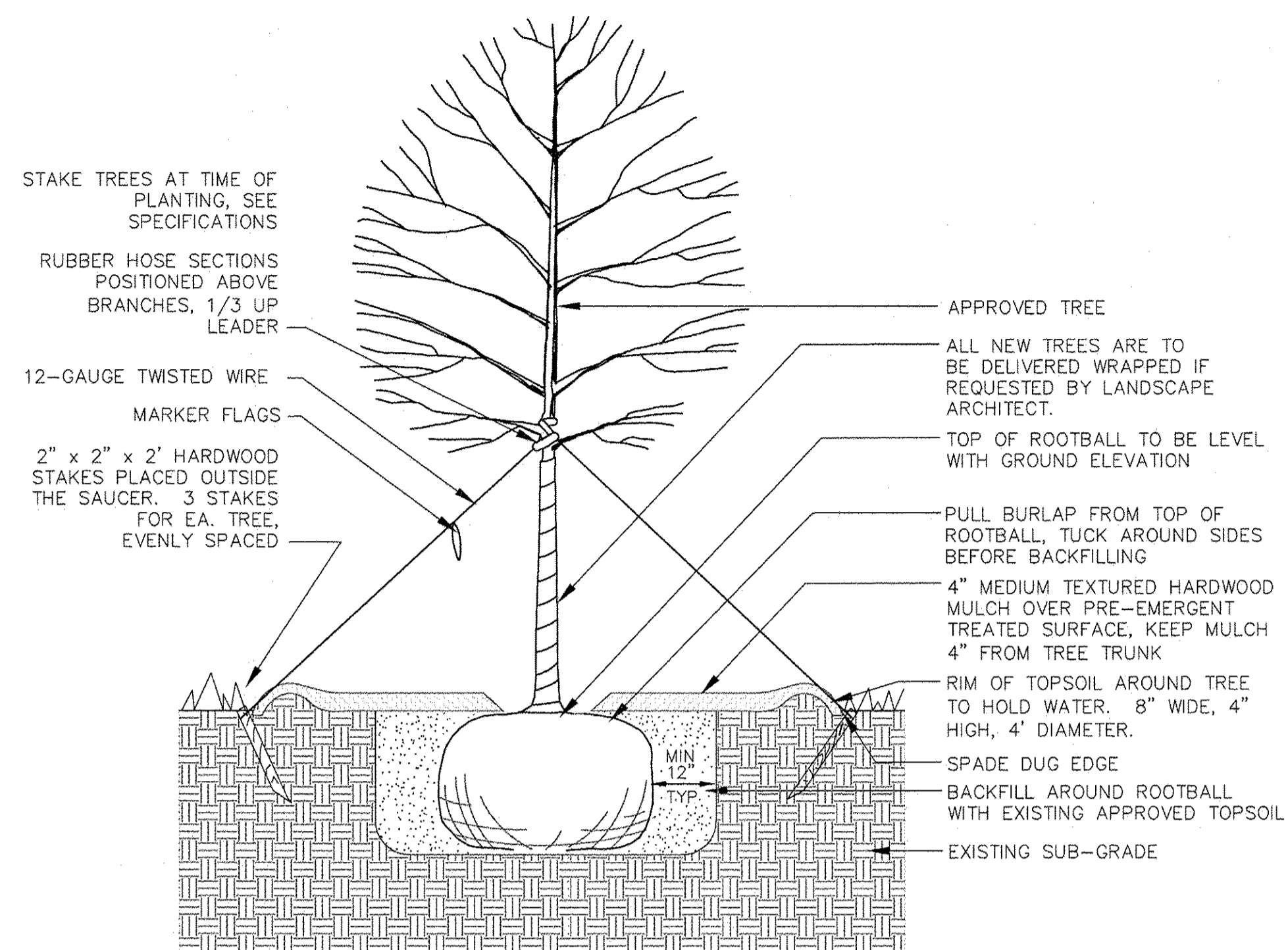
- fy = 46 ksi (HSS)
- fy = 36 ksi (plates)
- fy = 60 ksi (Reinforcing Steel)
- f'c = 3.5 ksi (Concrete)
- qu = 2.0 ksf (Footing Soil Pressure)

LOADING CRITERIA (ASCE 7-10)

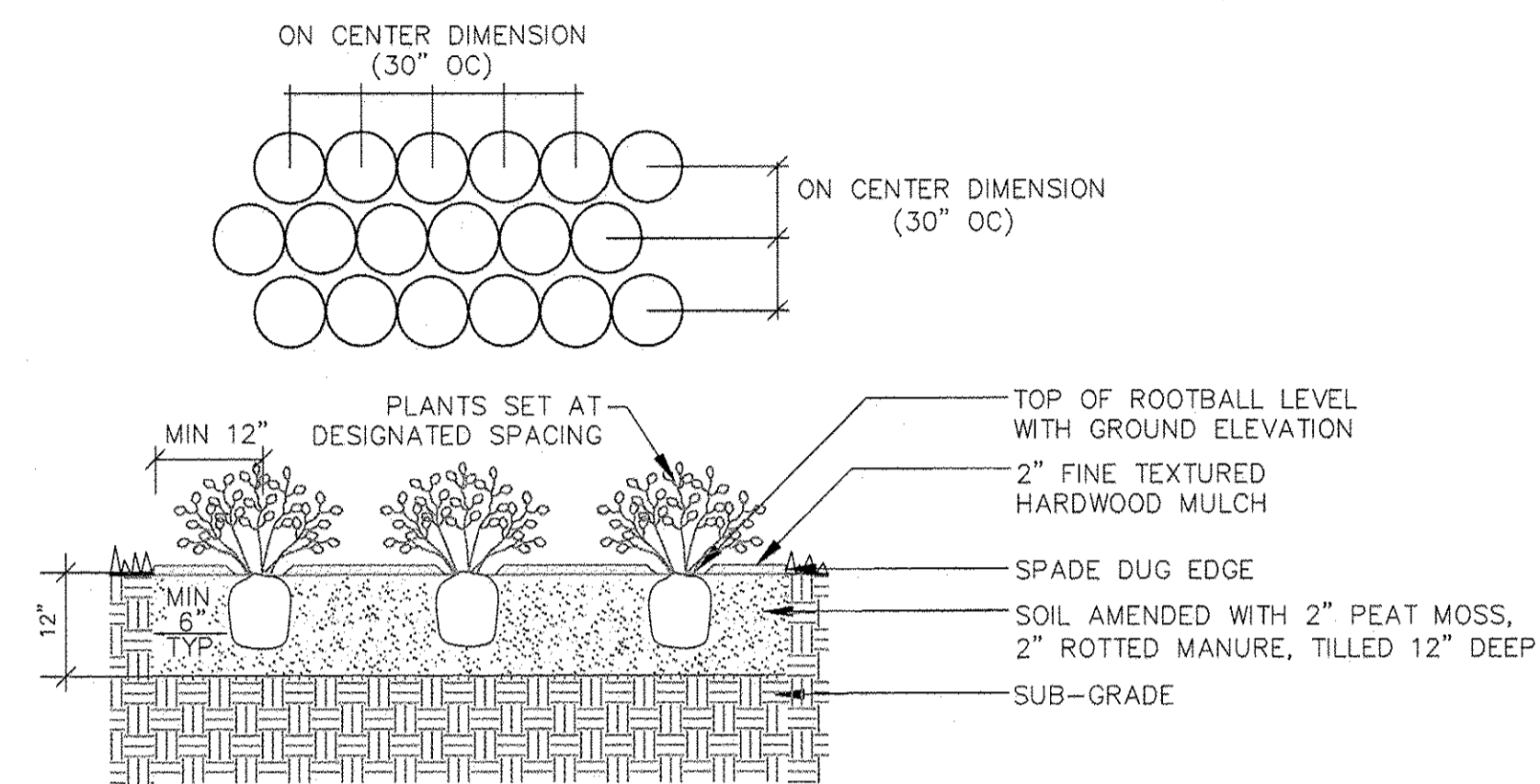
- Dead Load: as calculated
- Wind Load: design wind loads based on solid signs
- Basic Wind Speed: 105 mph
- Exposure: c
- Importance Factor: 1.0
- Topography Factor (kzt): 1.0

FILE NAME = E:\001\6550 - Decatur - Corridor - Signs - CAD - Structural\SignFrame2.dgn

CHASTAIN & ASSOCIATES LLC CONSULTING ENGINEERS 184-001397	USER NAME = ebez	DESIGNED - ACB	REVISED -	STATE OF ILLINOIS DEPARTMENT OF TRANSPORTATION	CORRIDOR MONUMENT INSTALLATION PROJECT CITY OF DECATUR BREAK-AWAY TUBULAR STEEL SIGN POSTS AND DETAILS	F.A.P. RTE. NO. 323	SECTION 10-00012-00-MS	COUNTY MACON	TOTAL SHEETS 34	SHEET NO. 16
	PLOT TIME = 12:58:02 PM	DRAWN - RLK	REVISED -			CONTRACT NO. 95809				
	PLOT SCALE = 2.0000' / 1"	CHECKED - JMB	REVISED -			ILLINOIS FED. AID PROJECT				
	PLOT DATE = 02/03/2017	DATE - 03/24/2017	REVISED -			SHEET NO. OF SHEETS				

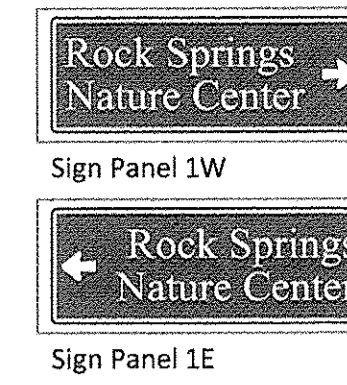
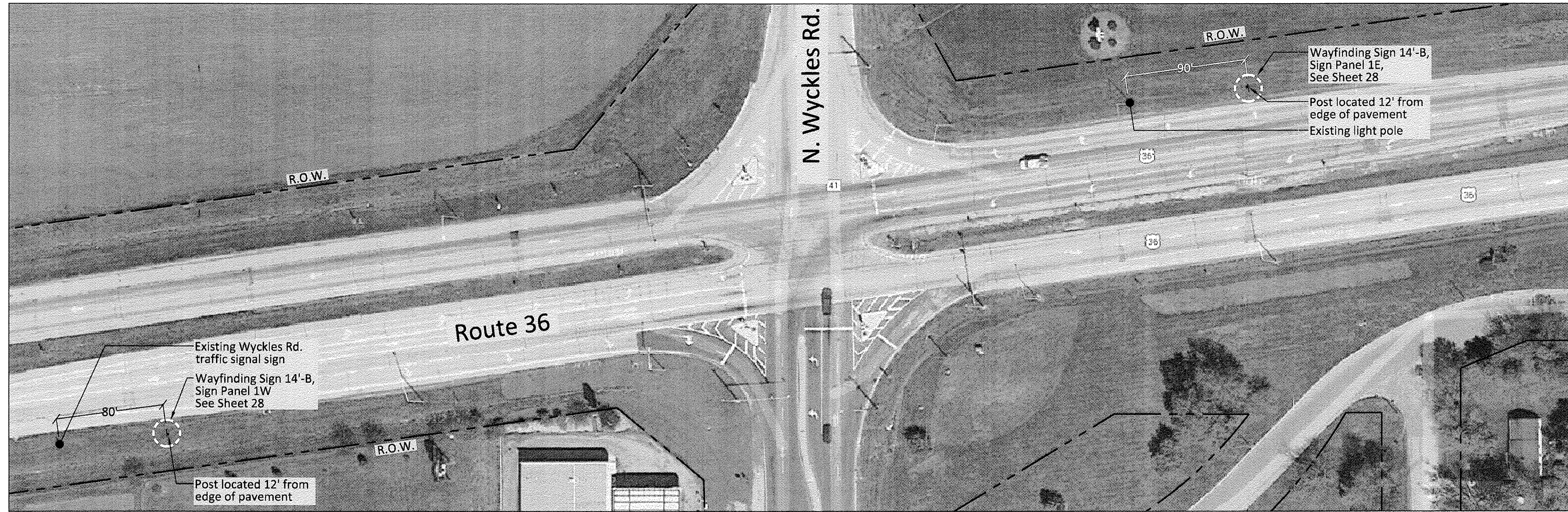


Tree Planting

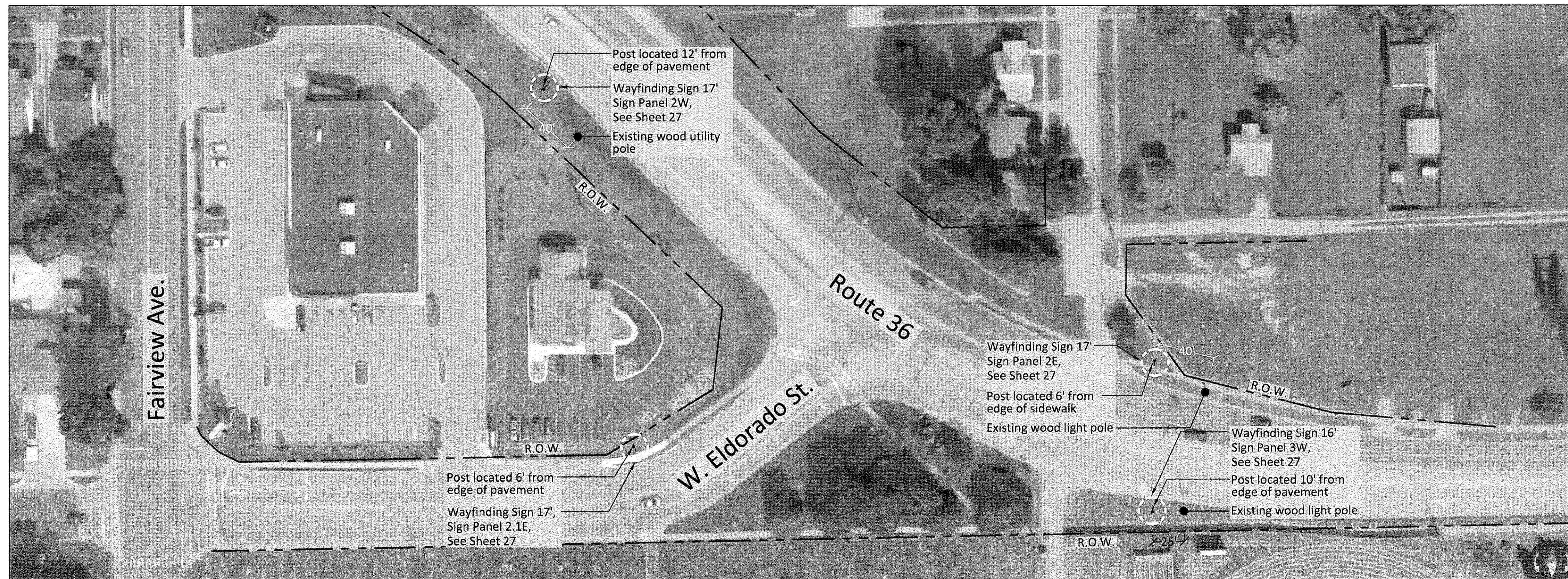


Ornamental Grass Planting

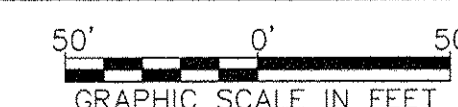
Massie+Associates Landscape Architecture and Land Planning 600 South 20th St., Springfield, Illinois 62763 217-544-3110 Massie+Associates.com	USER NAME = nbrumleve	DESIGNED — KLM	REVISED — —	STATE OF ILLINOIS DEPARTMENT OF TRANSPORTATION	CORRIDOR MONUMENT INSTALLATION PROJECT CITY OF DECATUR PLANTING DETAILS			F.A.P. RTE.	SECTION	COUNTY	TOTAL SHEETS	SHEET NO.
	PLOT SCALE = 1"=10'	DRAWN — NFB	REVISED — —		323	10-00012-00-MS	MACON	34	17			
	PLOT DATE = 02/03/2017	CHECKED — KLM	REVISED — —		CONTRACT NO. 95809							
		DATE — 02/03/2017	REVISED — —		ILLINOIS FED. AID PROJECT							
				SCALE: 1"=10'		SHEET OF SHEETS		STA. TO STA.				



Wayfinding Signs 1W and 1E

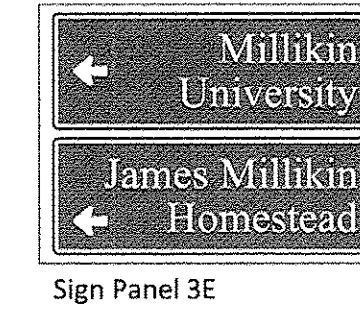
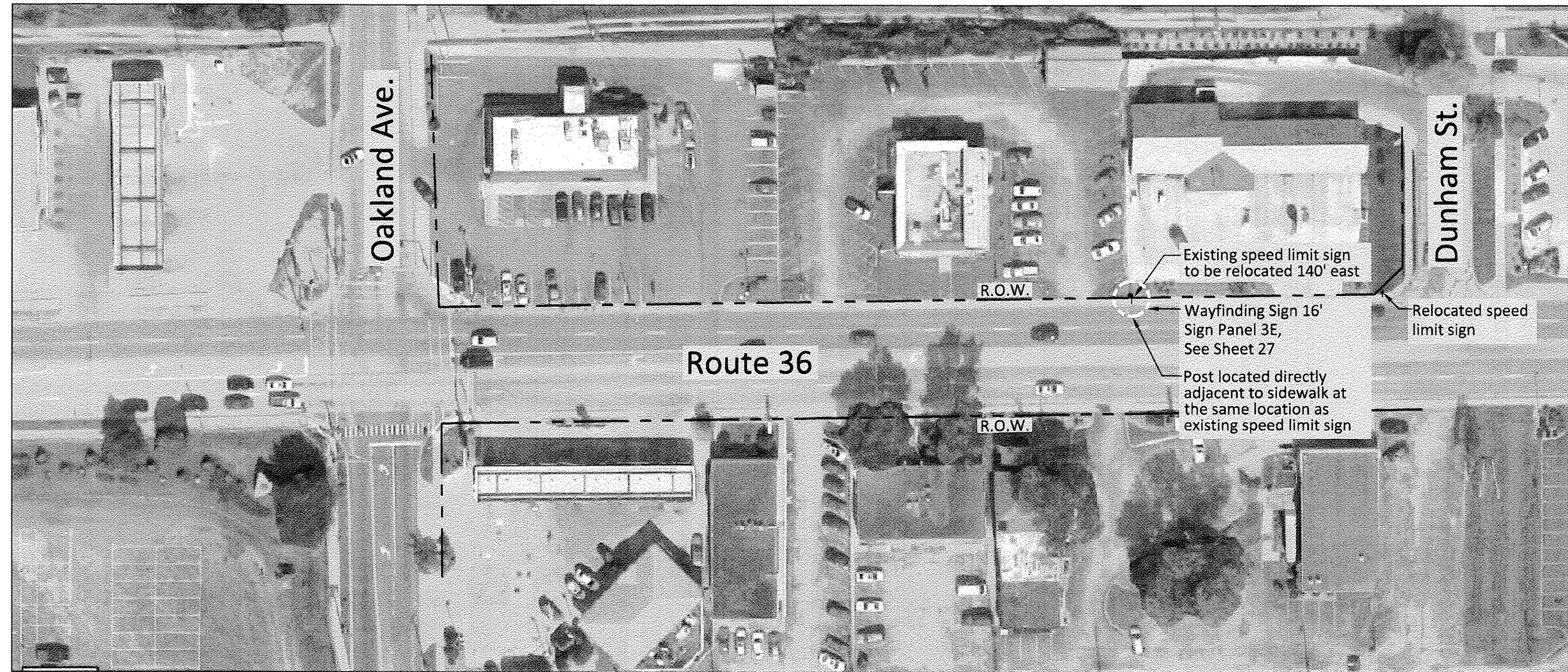


Wayfinding Signs 2W, 2E, 2.1E, and 3W



- NOTES:**
1. All sign locations to be staked in the field by the contractor.
 2. Contractor to contact J.U.L.I.E. (1-800-892-0123) before digging to locate underground utilities.
 3. All utility locations are per utility and city of Decatur record drawings. Specific locations were not excavated for field verification.

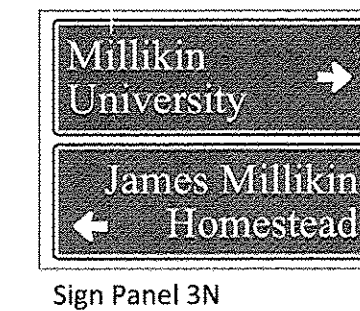
Massie+Associates Landscape Architecture and Land Planning 1000 South 20th St., Springfield, Illinois 62769 217-544-3210	USER NAME = nbrumleve	DESIGNED — KLM	REVISED — —	STATE OF ILLINOIS DEPARTMENT OF TRANSPORTATION	CORRIDOR MONUMENT INSTALLATION PROJECT CITY OF DECATUR WAYFINDING SIGNS 1W, 1E, 2W, 2E, 2.1E, & 3W			F.A.P. RTE.	SECTION	COUNTY	TOTAL SHEETS	SHEET NO.
	PLOT SCALE = 1"=10'	DRAWN — NFB	REVISED — —		323	10-00012-00-MS	MACON	34	18			
	PLOT DATE = 03/24/2017	CHECKED — KLM	REVISED — —		710	CONTRACT NO. 95809						
	DATE — 03/24/2017	REVISIONS	REVISED — —		ILLINOIS FED. AID PROJECT							



Sign Panel 3E



Wayfinding Sign 3E



Sign Panel 3N

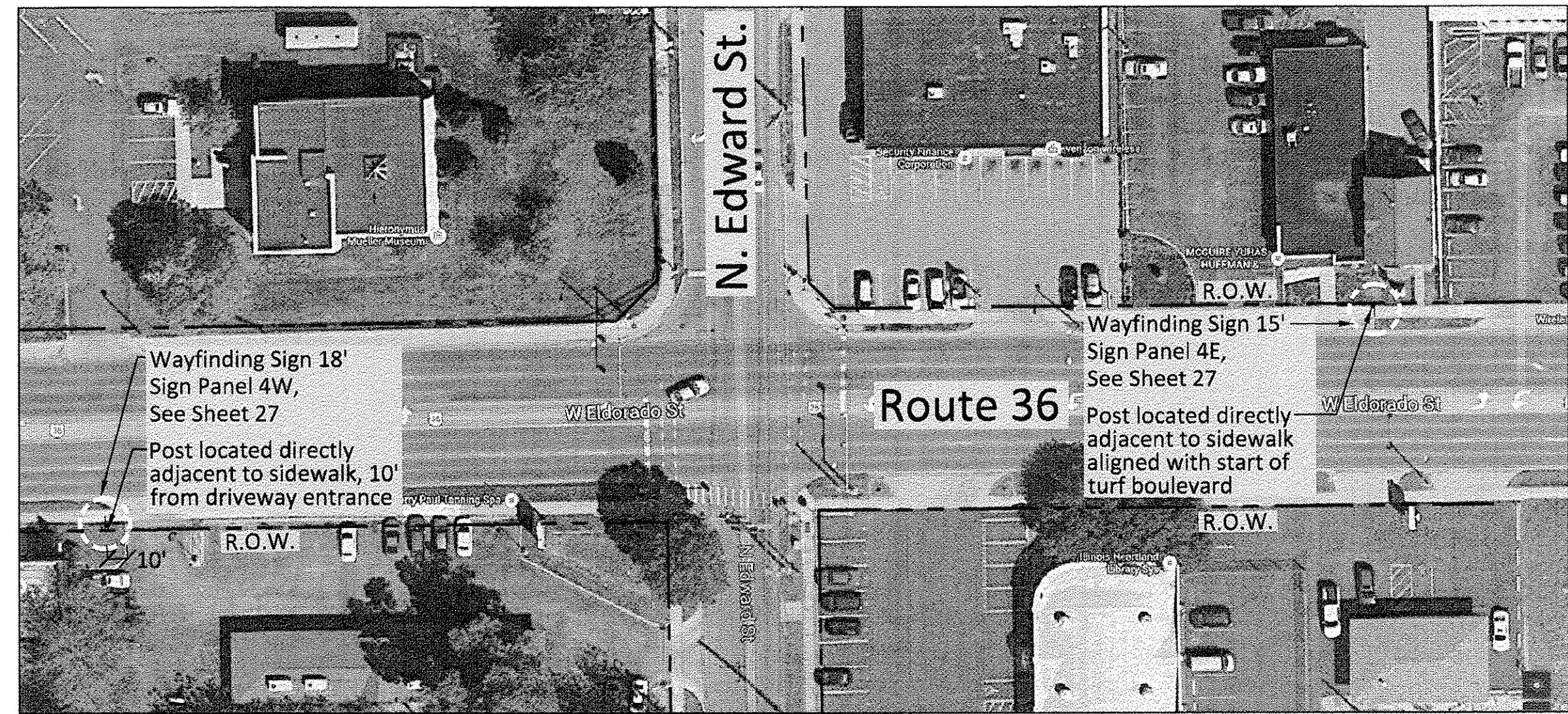


Wayfinding Sign 3N

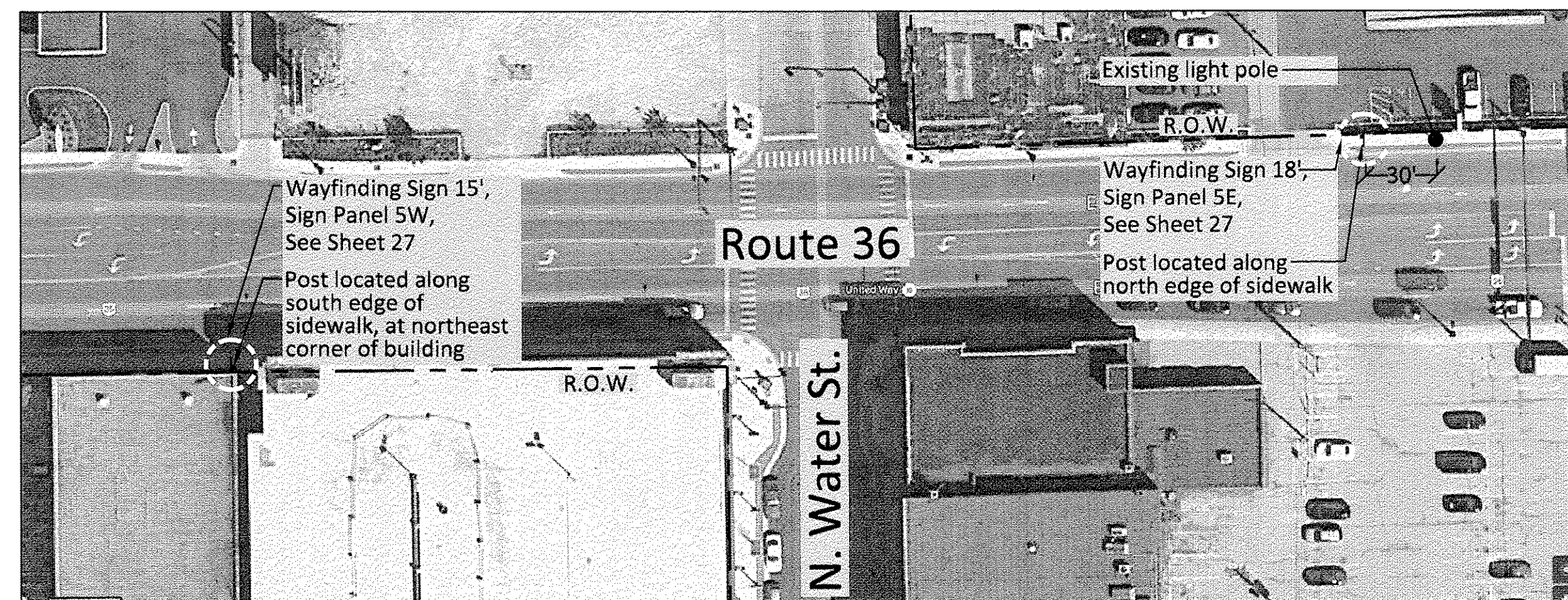
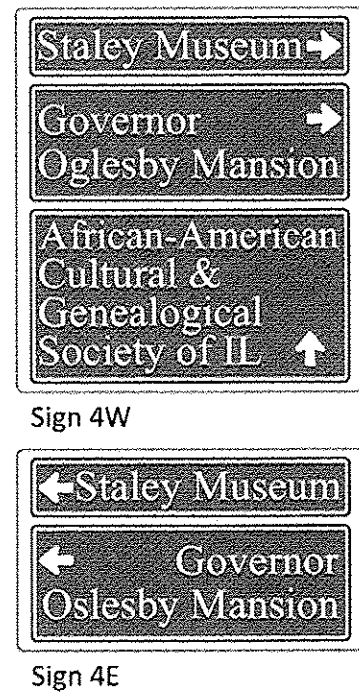
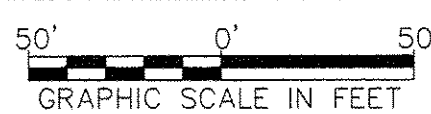
NOTES:

1. All sign locations to be staked in the field by the contractor.
2. Contractor to contact J.U.L.I.E. (1-800-892-0123) before digging to locate underground utilities.
3. All utility locations are per utility and city of Decatur record drawings. Specific locations were not excavated for field verification.

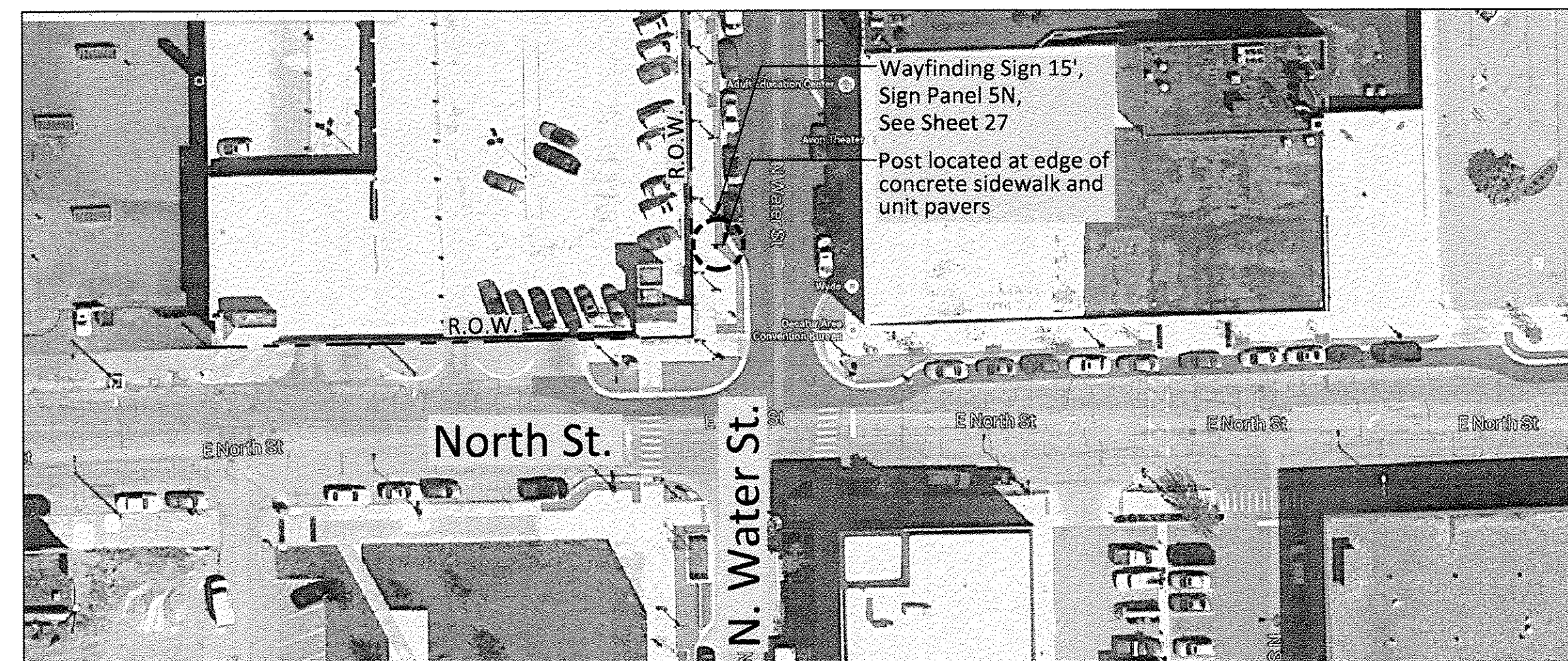
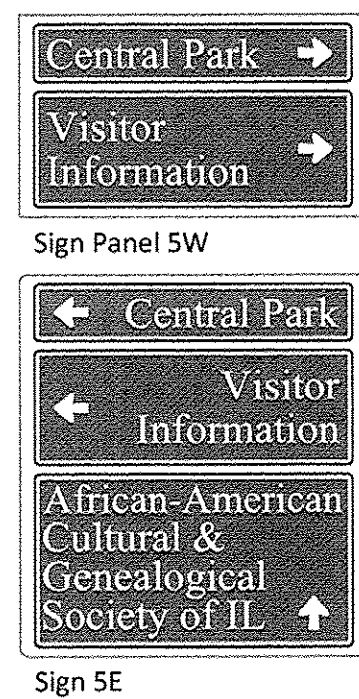
Massie+Associates Landscape Architecture and Land Planning 120 South 5th St., Springfield, Illinois 62763 217.544.3170 Massie+Associates.com	USER NAME = nbrumleve	DESIGNED -- KLM	REVISED --	STATE OF ILLINOIS DEPARTMENT OF TRANSPORTATION	CORRIDOR MONUMENT INSTALLATION PROJECT CITY OF DECATUR WAYFINDING SIGNS 3E & 3N			F.A.P. RTE.	SECTION	COUNTY	TOTAL SHEETS	SHEET NO.
	PLOT SCALE = 1"=10'	DRAWN -- NFB	REVISED --		323	10-00012-00-MS	MACON	34	19			
	PLOT DATE = 03/24/2017	CHECKED -- KLM	REVISED --		CONTRACT NO. 95809							
	DATE -- 03/24/2017	REVISIONS --	REVISED --		SCALE: 1"=10'	SHEET OF	SHEETS	STA. TO STA.	ILLINOIS FED. AID PROJECT			



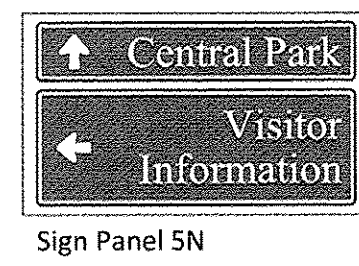
Wayfinding Signs 4W and 4E



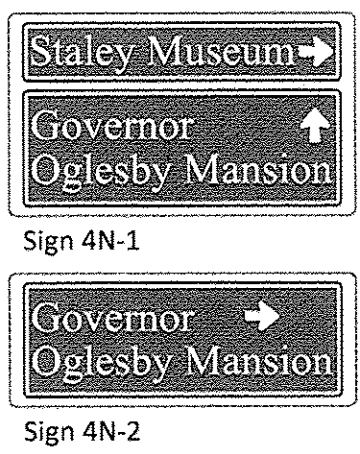
Wayfinding Signs 5W and 5E



Wayfinding Sign 5N

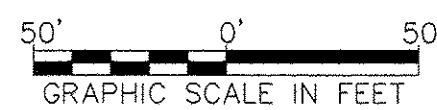
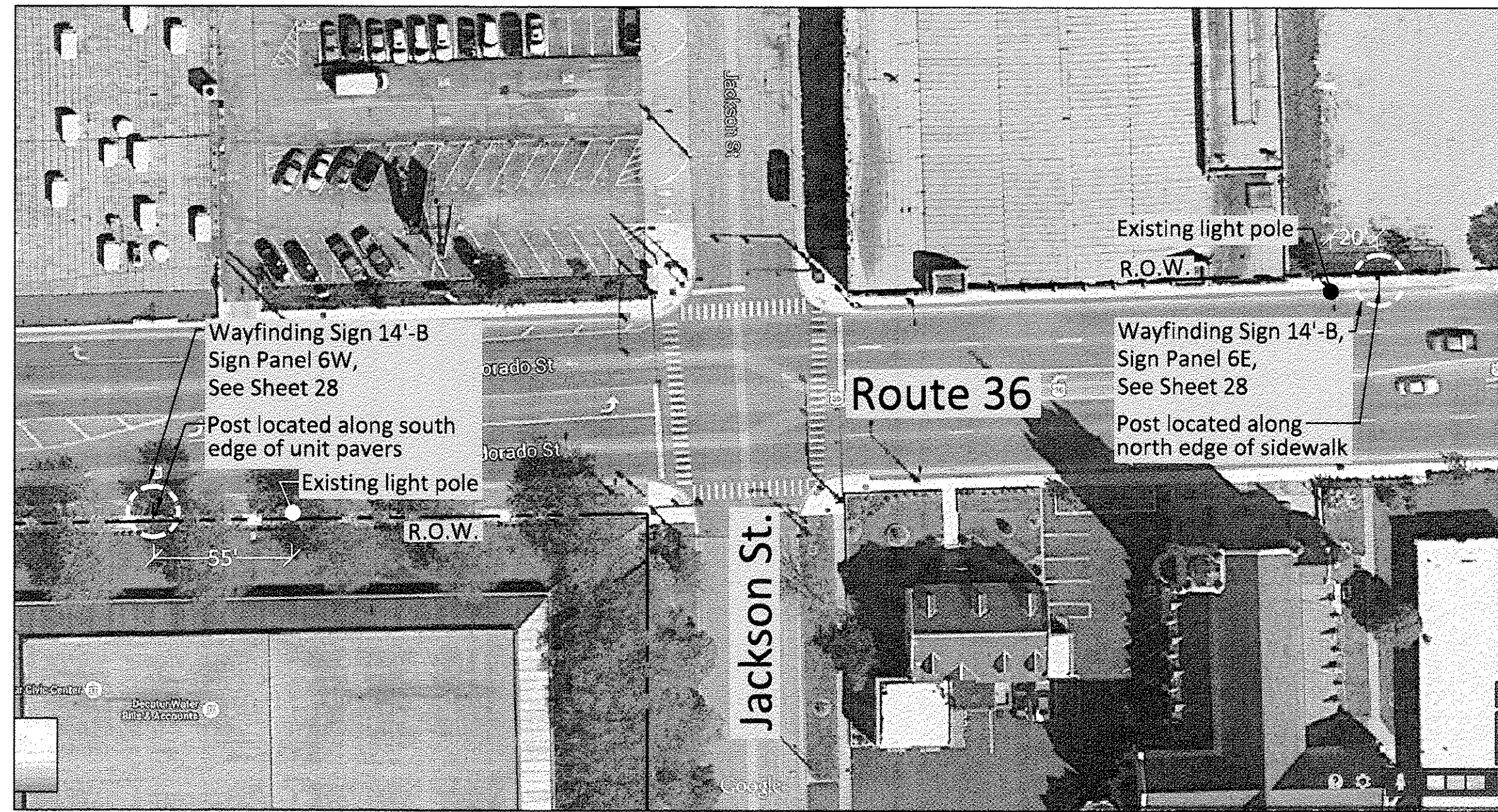


Wayfinding Signs 4N-1 and 4N-2

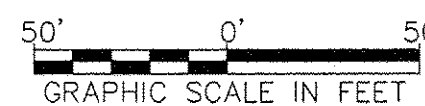
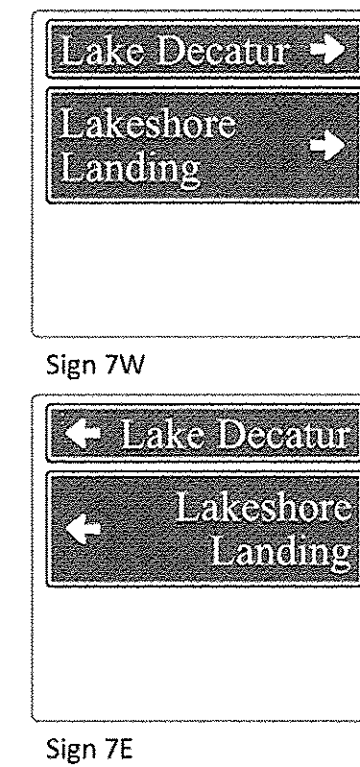
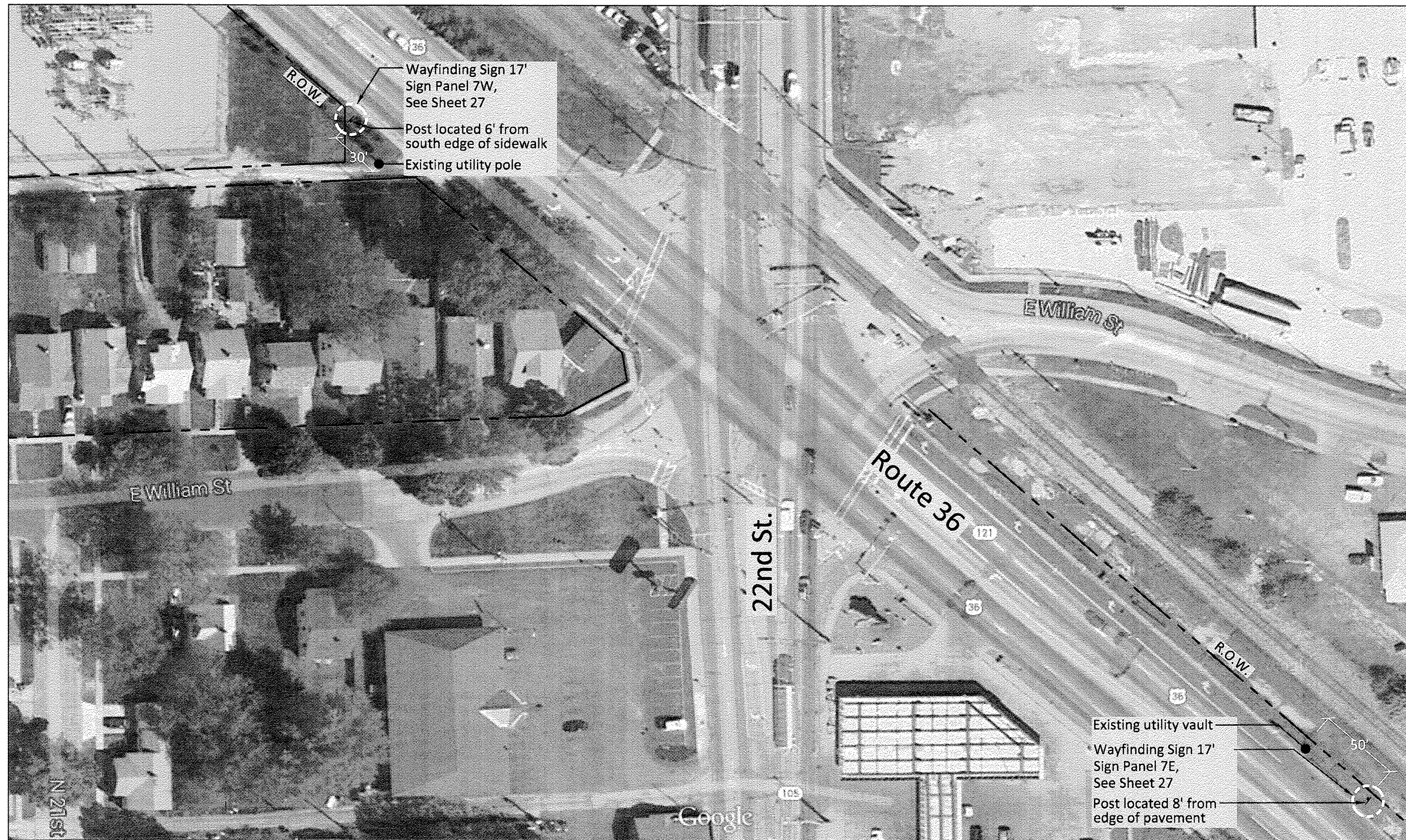


NOTES:

1. All sign locations to be staked in the field by the contractor.
2. Contractor to contact J.U.L.I.E. (1-800-892-0123) before digging to locate underground utilities.
3. All utility locations are per utility and city of Decatur record drawings. Specific locations were not excavated for field verification.



Wayfinding Signs 6W and 6E



Wayfinding Sign 7W and 7E

NOTES:

1. All sign locations to be staked in the field by the contractor.
2. Contractor to contact J.U.L.I.E. (1-800-892-0123) before digging to locate underground utilities.
3. All utility locations are per utility and city of Decatur record drawings. Specific locations were not excavated for field verification.



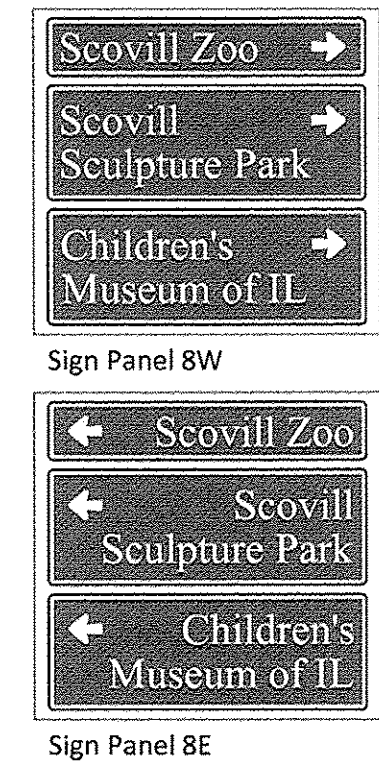
USER NAME = nbrumleve	DESIGNED -- KLM	REVISED --
	DRAWN -- NFB	REVISED --
PLOT SCALE = 1"=10'	CHECKED -- KLM	REVISED --
PLOT DATE = 03/24/2017	DATE -- 03/24/2017	REVISED --

STATE OF ILLINOIS
DEPARTMENT OF TRANSPORTATION

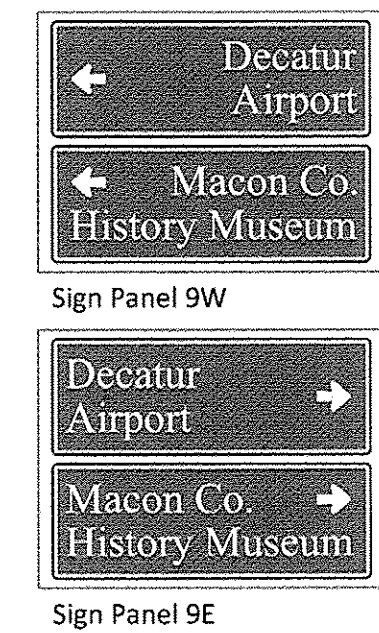
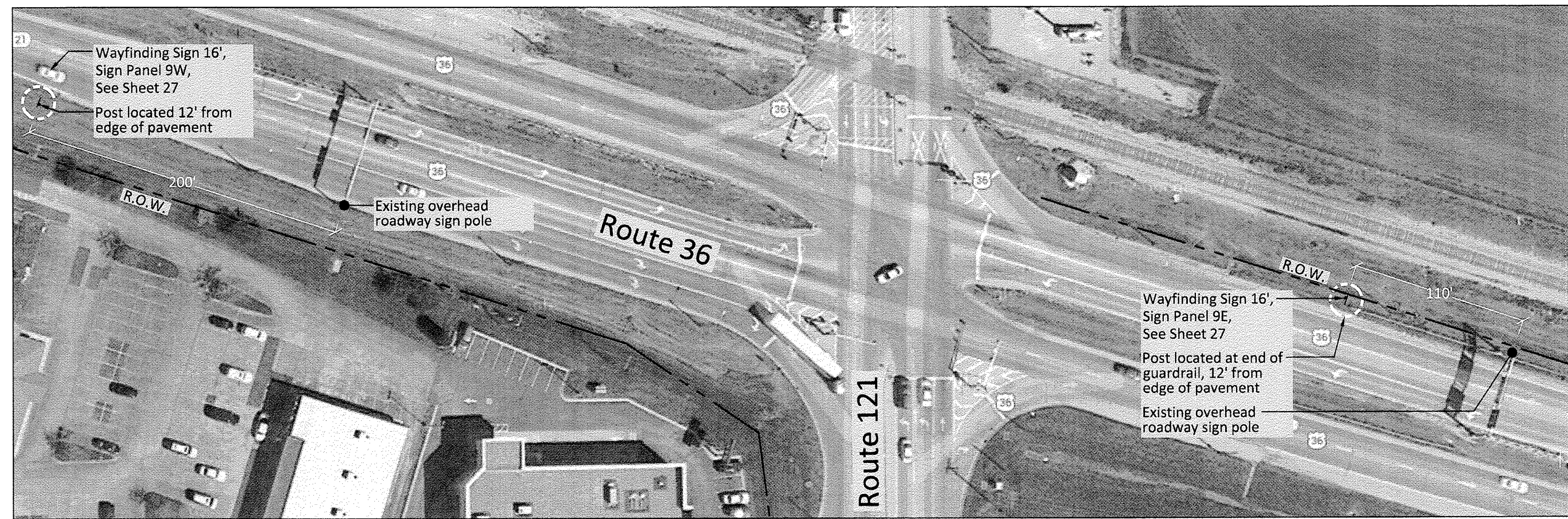
CORRIDOR MONUMENT INSTALLATION PROJECT
CITY OF DECATUR
WAYFINDING SIGNS 6W, 6E, 7W, & 7E

SCALE: 1"=10' SHEET OF SHEETS STA. TO STA.

F.A.P. RTE.	SECTION	COUNTY	TOTAL SHEETS	SHEET NO.
323	10-00012-00-MS	MACON	34	21
710	CONTRACT NO. 95809			
ILLINOIS FED. AID PROJECT				



Wayfinding Sign 8W and 8E



Wayfinding Sign 9W and 9E

- NOTES:
- All sign locations to be staked in the field by the contractor.
 - Contractor to contact J.U.L.I.E. (1-800-892-0123) before digging to locate underground utilities.
 - All utility locations are per utility and city of Decatur record drawings. Specific locations were not excavated for field verification.

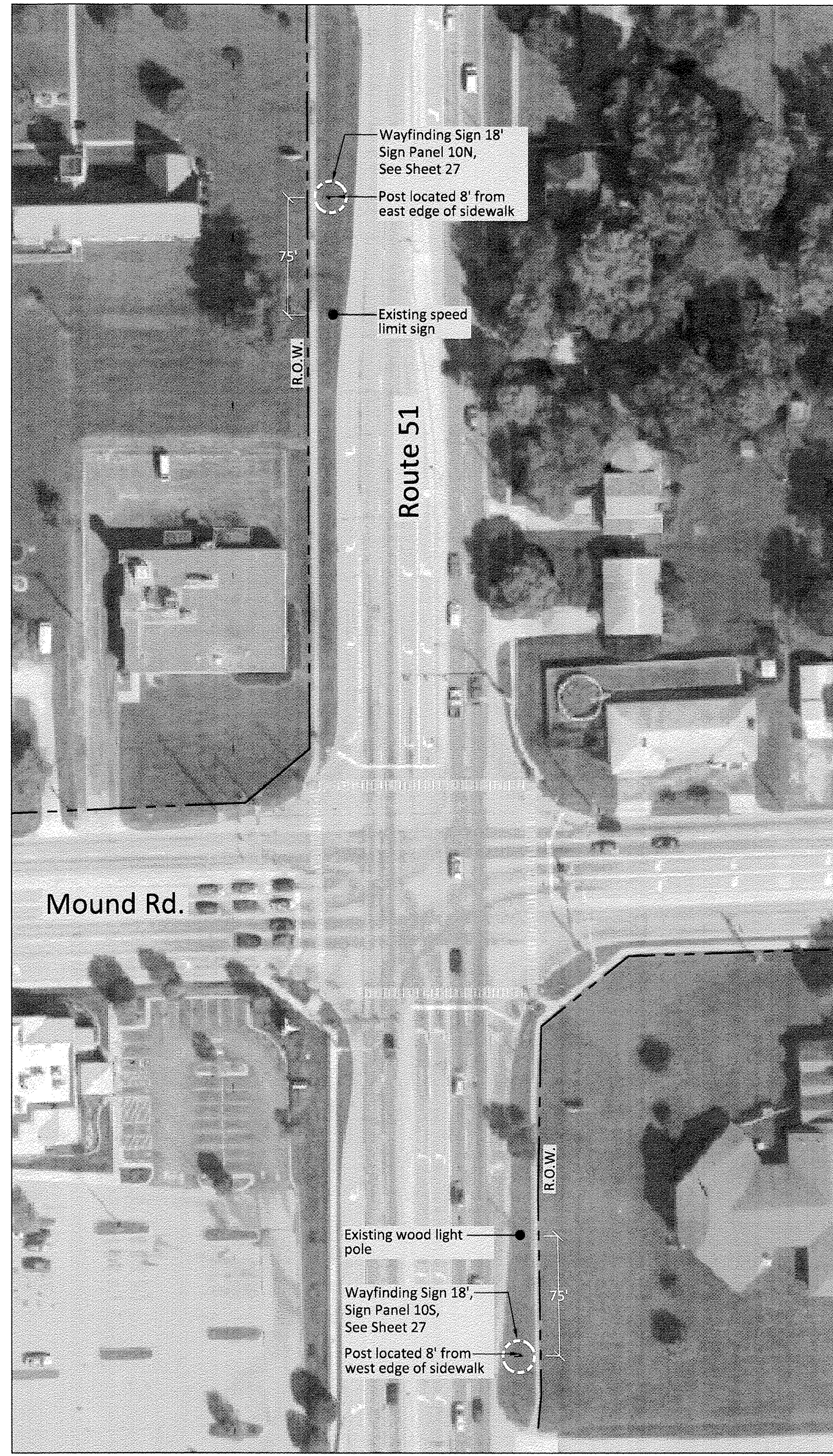
<p>Massie+Associates Landscape Architecture and Land Planning 110 South 5th St. Springfield, Illinois 62769 217-544-3170 Massie+Associates.com</p>	USER NAME = nbrumleve	DESIGNED -- KLM	REVISED --
	PLOT SCALE = 1"=10'	DRAWN -- NFB	REVISED --
	PLOT DATE = 03/24/2017	CHECKED -- KLM	REVISED --
		DATE -- 03/24/2017	REVISED --

STATE OF ILLINOIS
DEPARTMENT OF TRANSPORTATION

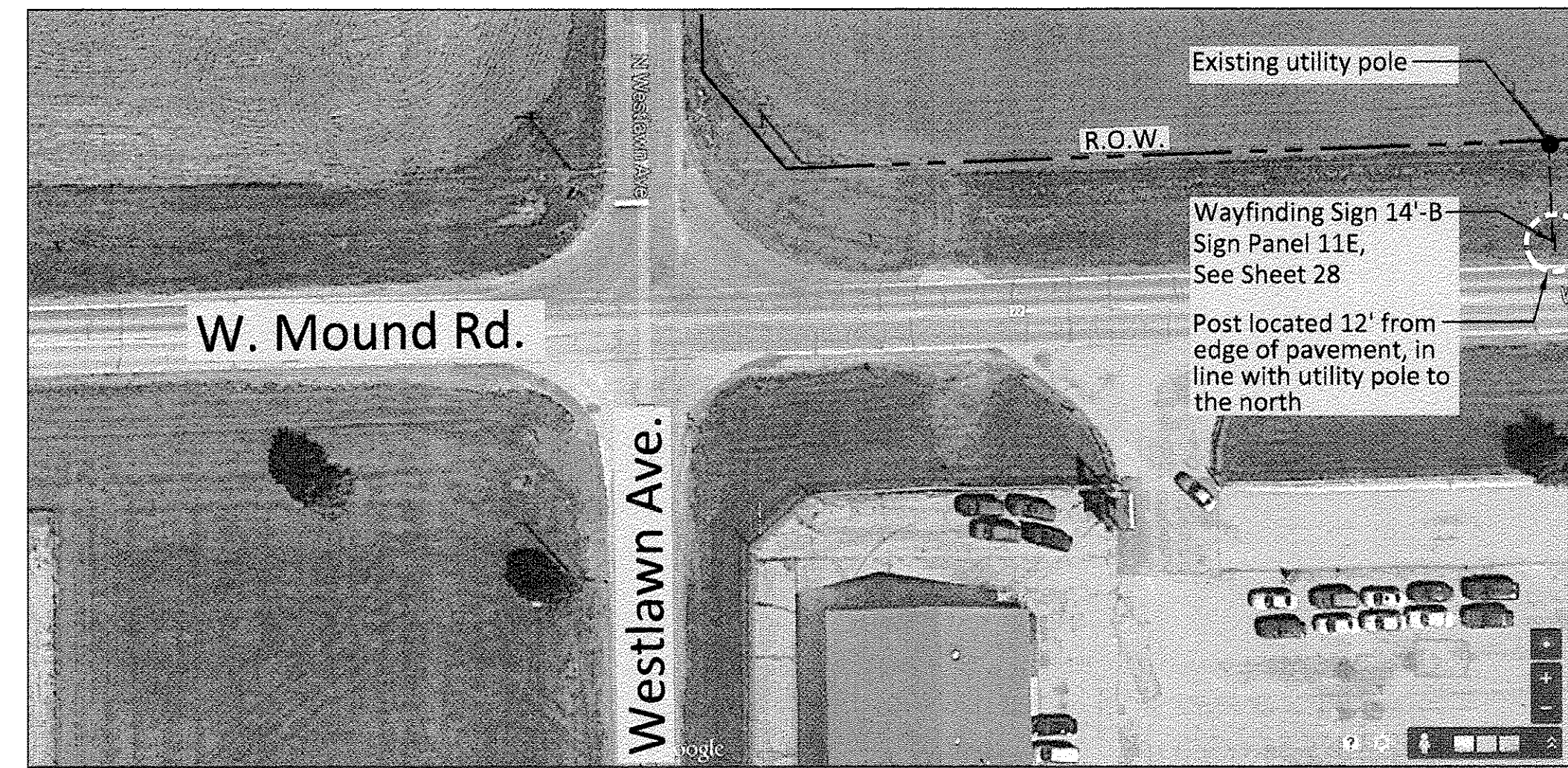
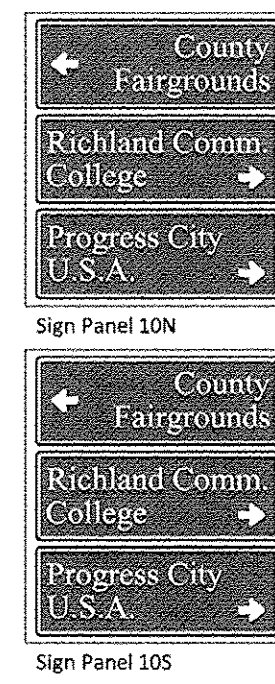
CORRIDOR MONUMENT INSTALLATION PROJECT
CITY OF DECATUR
WAYFINDING SIGNS 8W, 8E, 9W, & 9E

SCALE: 1"=10' SHEET OF SHEETS STA. TO STA.

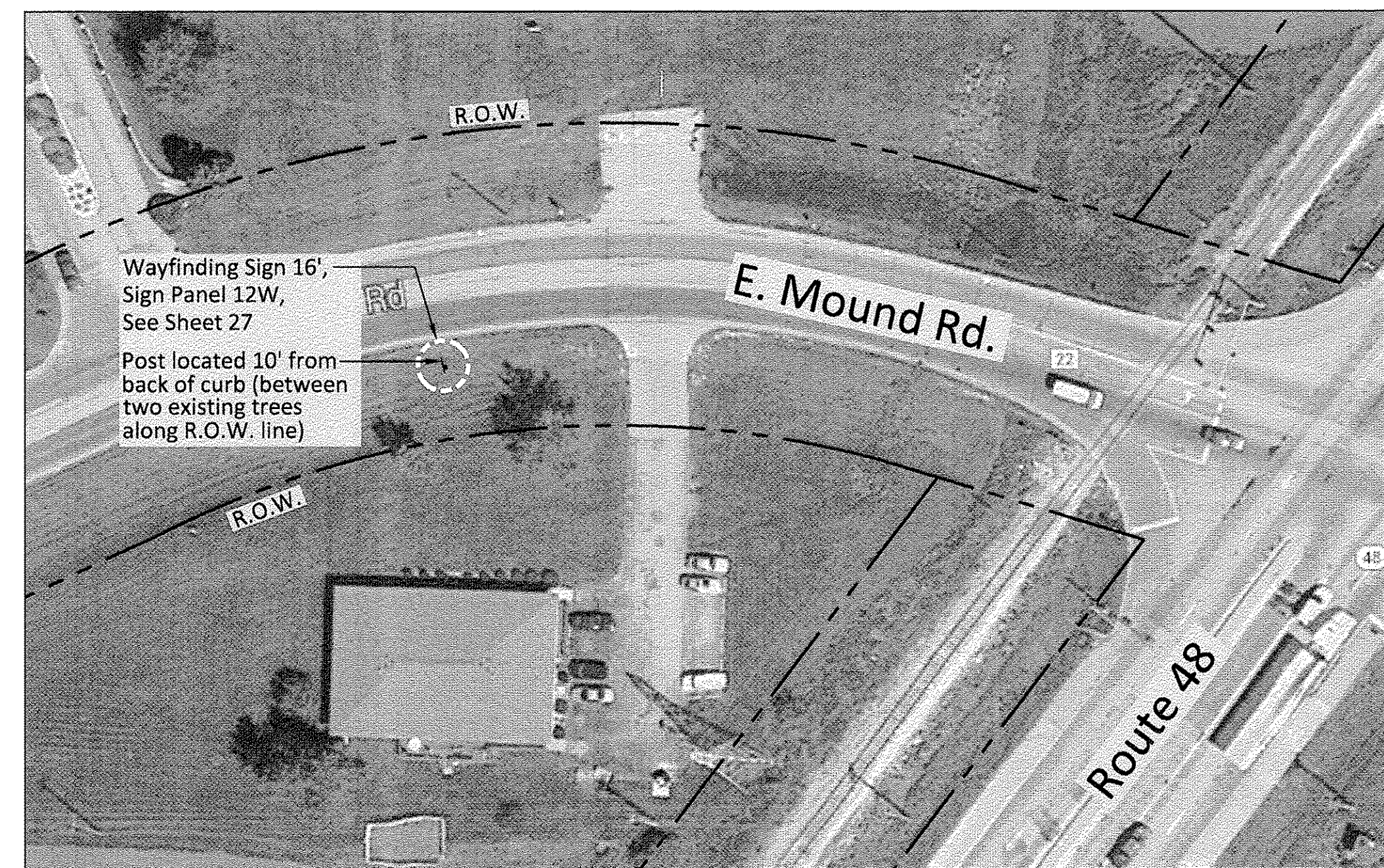
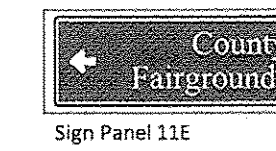
F.A.P. RTE.	SECTION	COUNTY	TOTAL SHEETS	SHEET NO.
323	10-00012-00-MS	MACON	34	22
710	CONTRACT NO. 95809			
ILLINOIS FED. AID PROJECT				



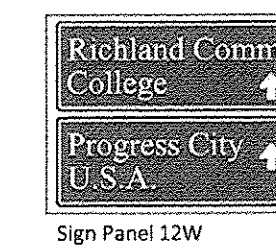
Wayfinding Sign 10N and 10S



Wayfinding Sign 11E



Wayfinding Sign 12W



NOTES:

1. All sign locations to be staked in the field by the contractor.
2. Contractor to contact J.U.L.I.E. (1-800-892-0123) before digging to locate underground utilities.
3. All utility locations are per utility and city of Decatur record drawings. Specific locations were not excavated for field verification.

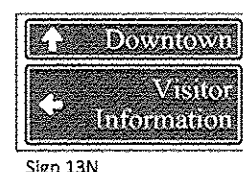
USER NAME = nbrumleve	DESIGNED -- KLM	REVISED --
PLOT SCALE = 1"=10'	DRAWN -- NFB	REVISED --
PLOT DATE = 03/24/2017	CHECKED -- KLM	REVISED --
	DATE -- 03/24/2017	REVISED --

F.A.P. RTE.	SECTION	COUNTY	TOTAL SHEETS	SHEET NO.
323	10-00012-00-MS	MACON	34	23
710	CONTRACT NO. 95809			
ILLINOIS FED. AID PROJECT				

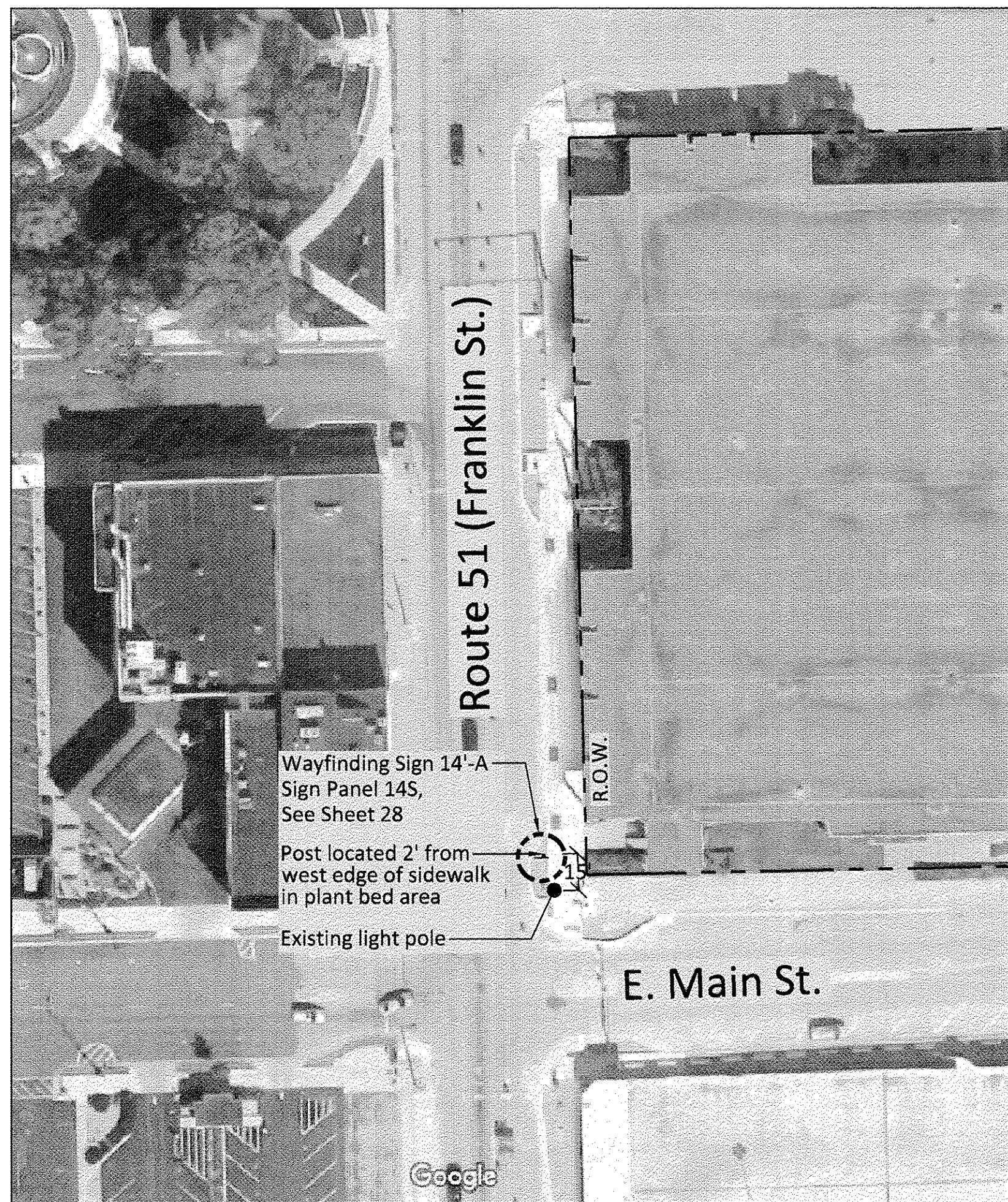


Wayfinding Sign 13N

50' 0' 50'
GRAPHIC SCALE IN FEET

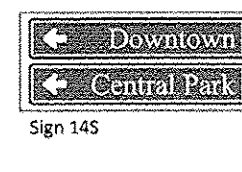


Sign 13N

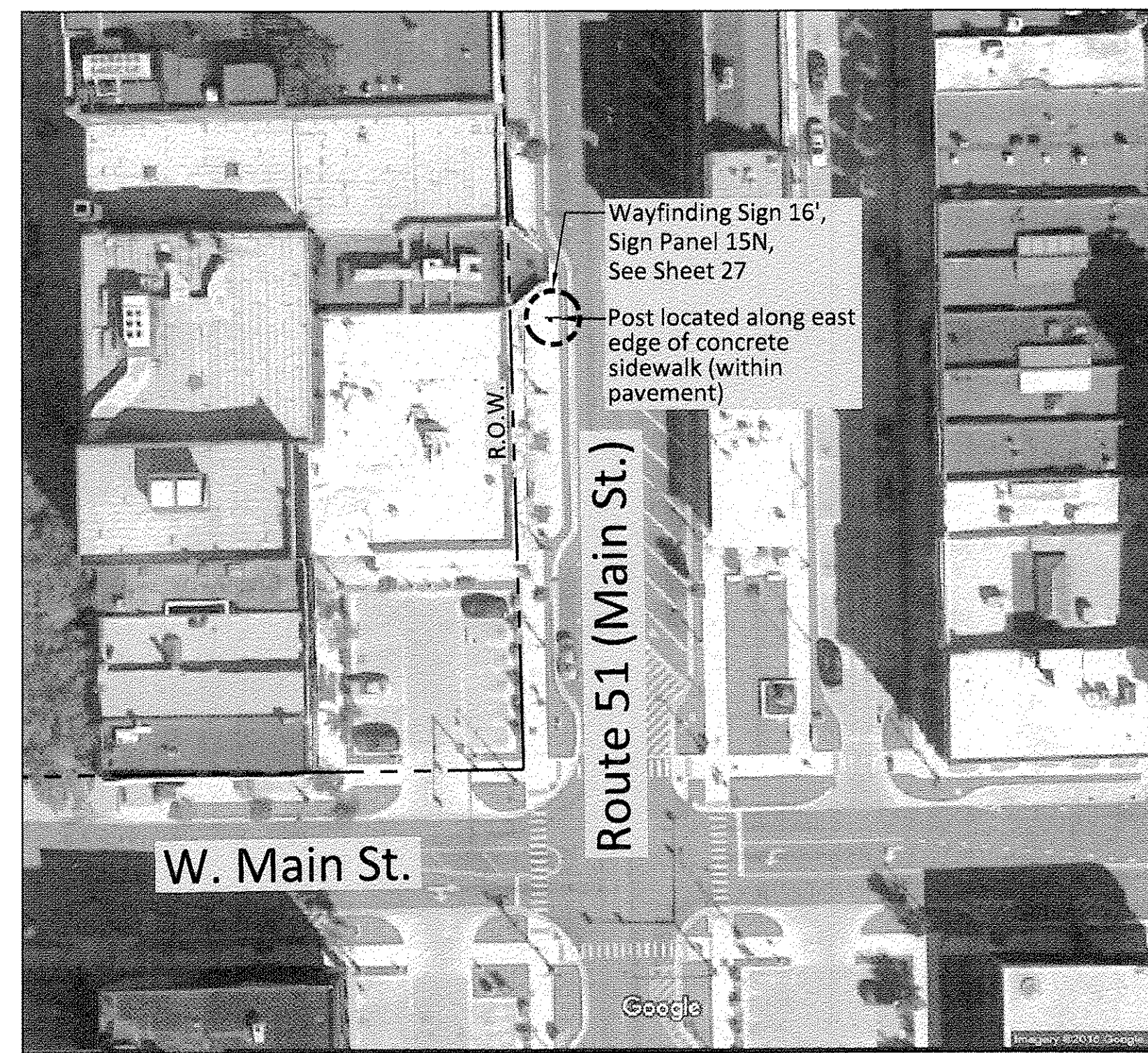


Wayfinding Sign 14S

50' 0' 50'
GRAPHIC SCALE IN FEET



Sign 14S

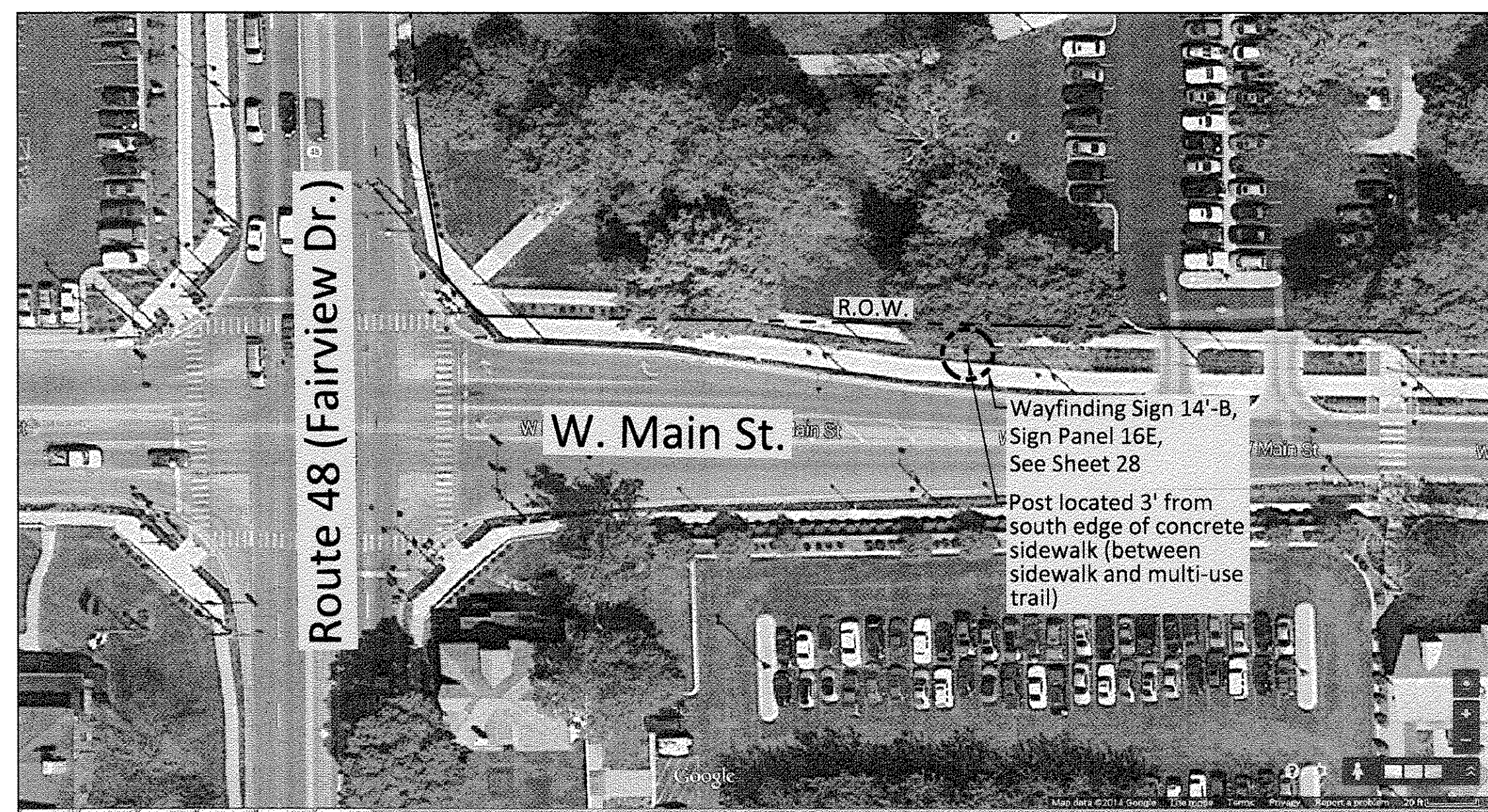


Wayfinding Sign 15N

50' 0' 50'
GRAPHIC SCALE IN FEET

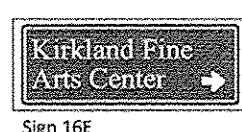


Sign 15N



Wayfinding Sign 16E

50' 0' 50'
GRAPHIC SCALE IN FEET



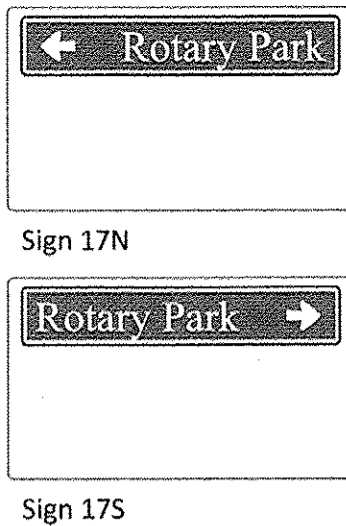
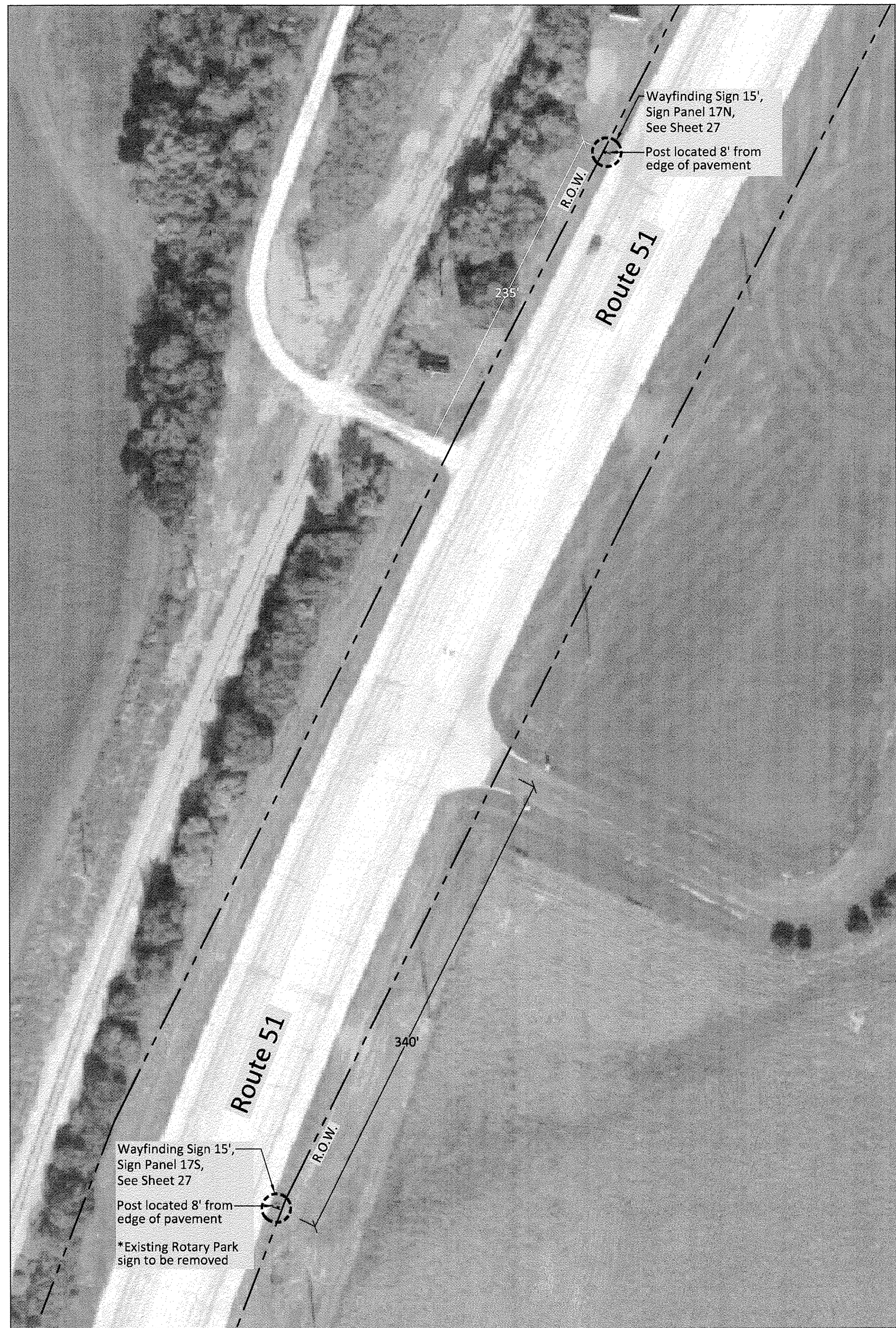
Sign 16E

NOTES:

1. All sign locations to be staked in the field by the contractor.
2. Contractor to contact J.U.L.I.E. (1-800-892-0123) before digging to locate underground utilities.
3. All utility locations are per utility and city of Decatur record drawings. Specific locations were not excavated for field verification.

USER NAME = nrumleve	DESIGNED — KLM	REVISED — —
PLOT SCALE = 1"=10'	DRAWN — NFB	REVISED — —
PLOT DATE = 03/24/2017	CHECKED — KLM	REVISED — —
	DATE — 03/24/2017	REVISED — —

F.A.P. RTE.	SECTION	COUNTY	TOTAL SHEETS	SHEET NO.
323	10-00012-00-MS	MACON	34	24
710	CONTRACT NO. 95809			
ILLINOIS FED. AID PROJECT				



Wayfinding Sign 17N and 17S



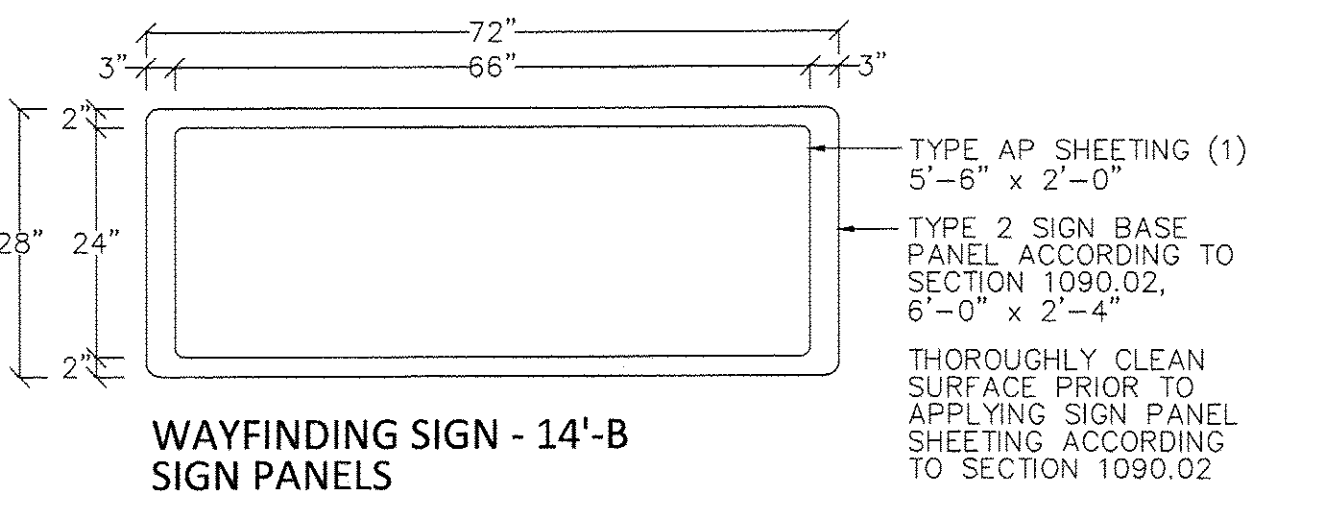
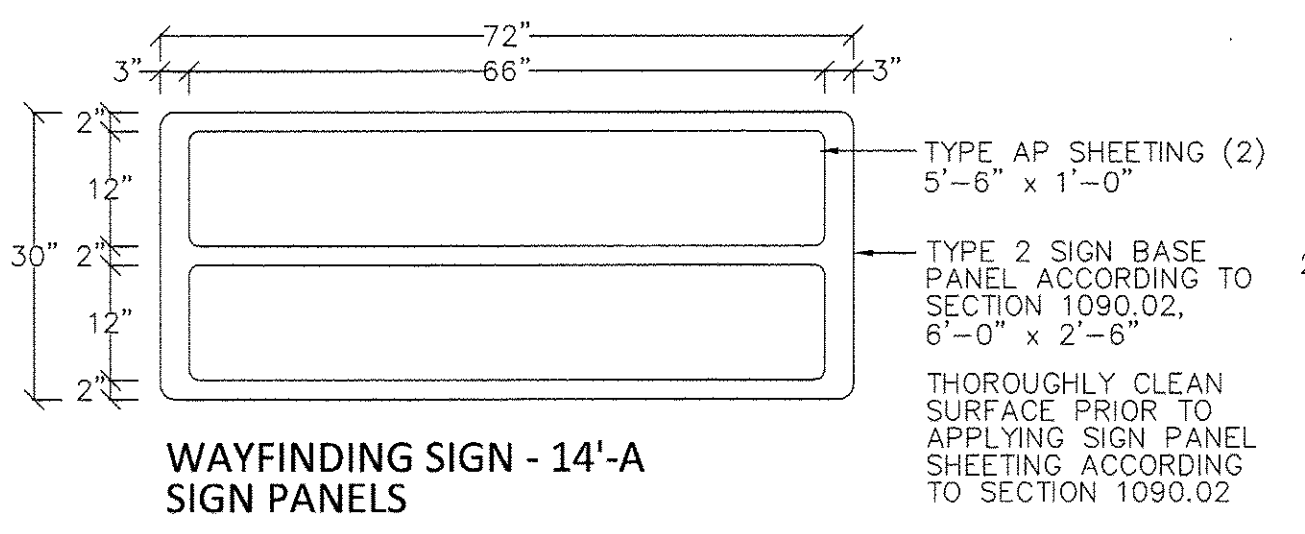
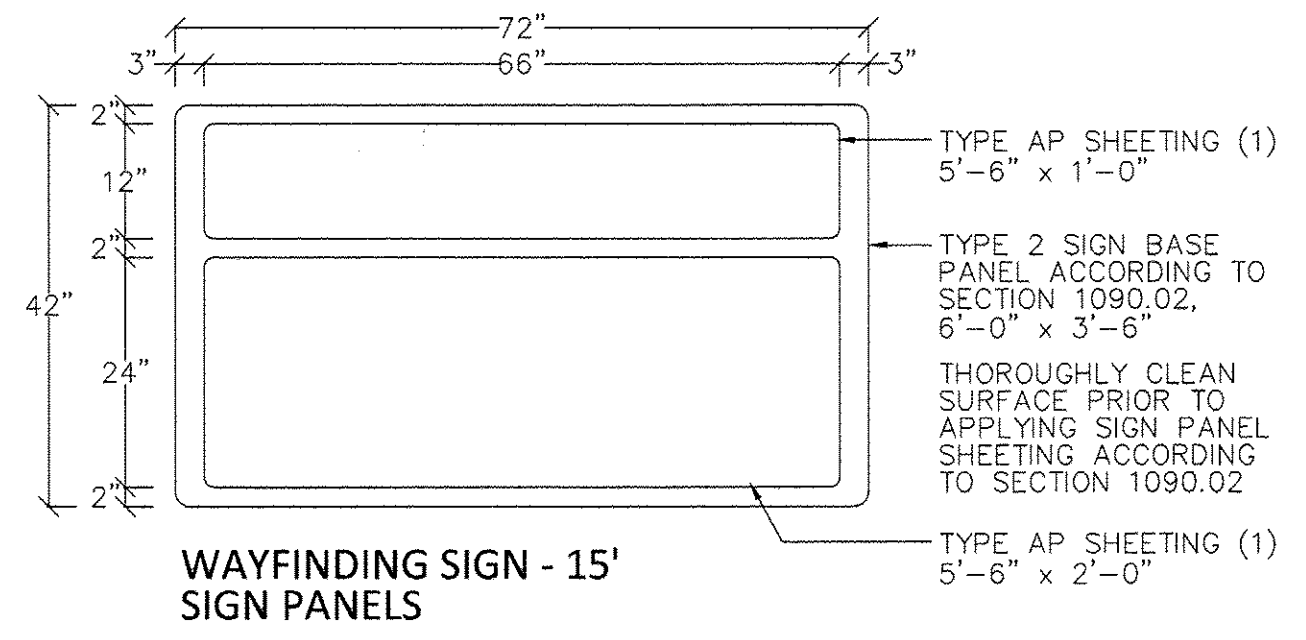
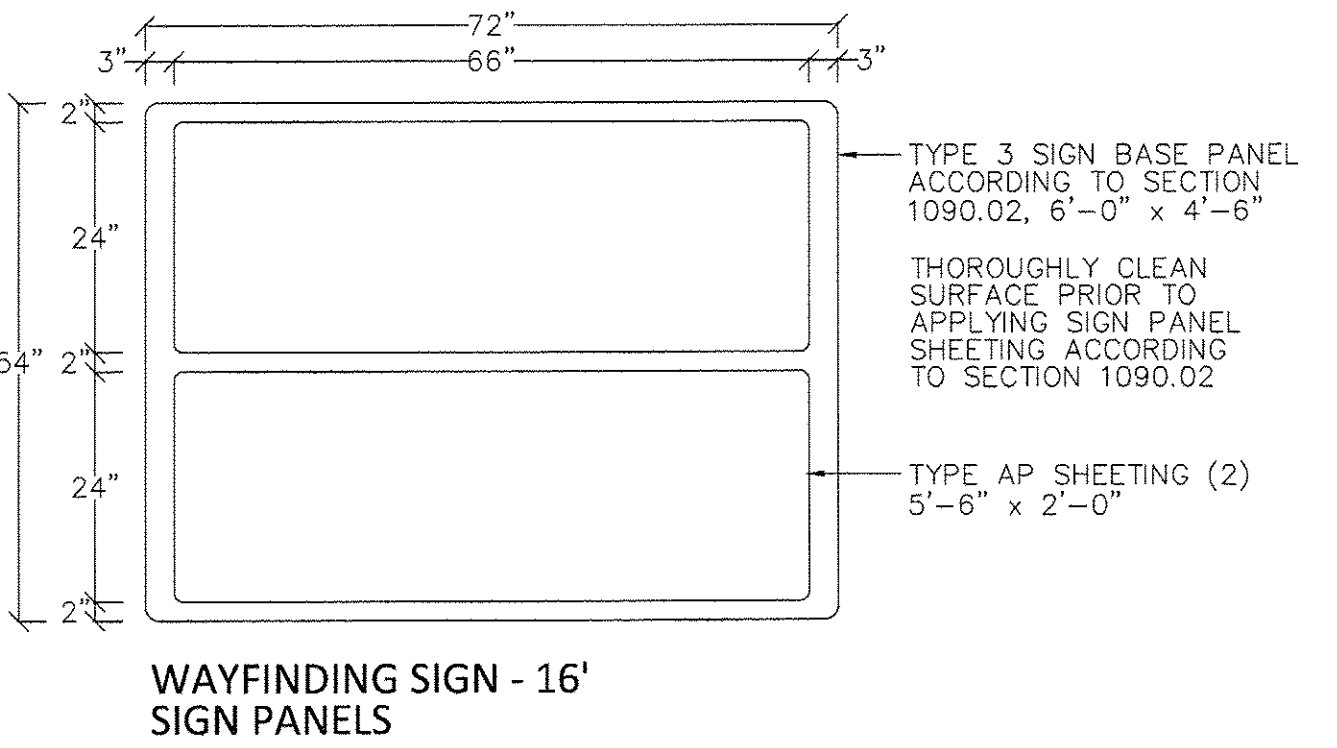
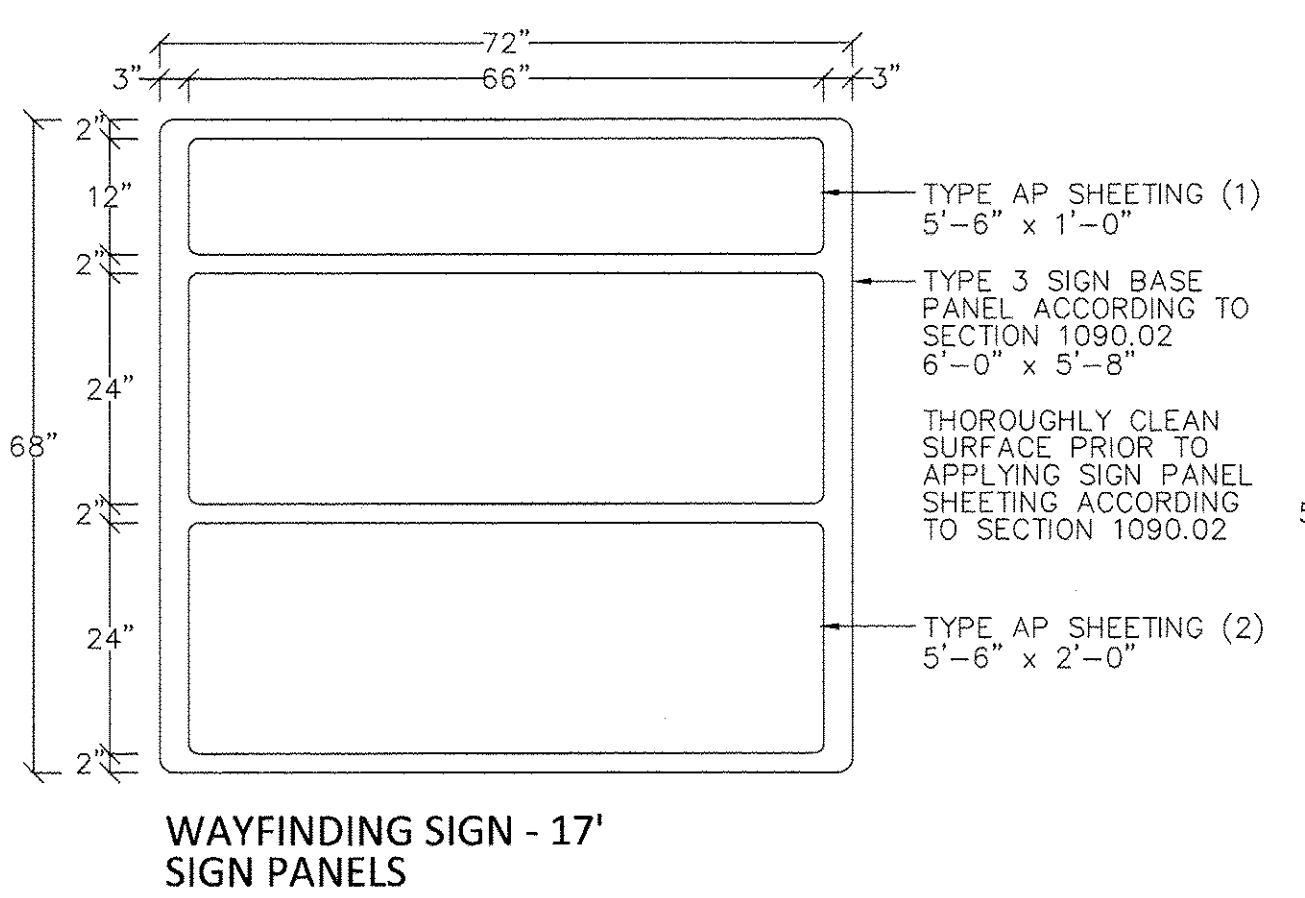
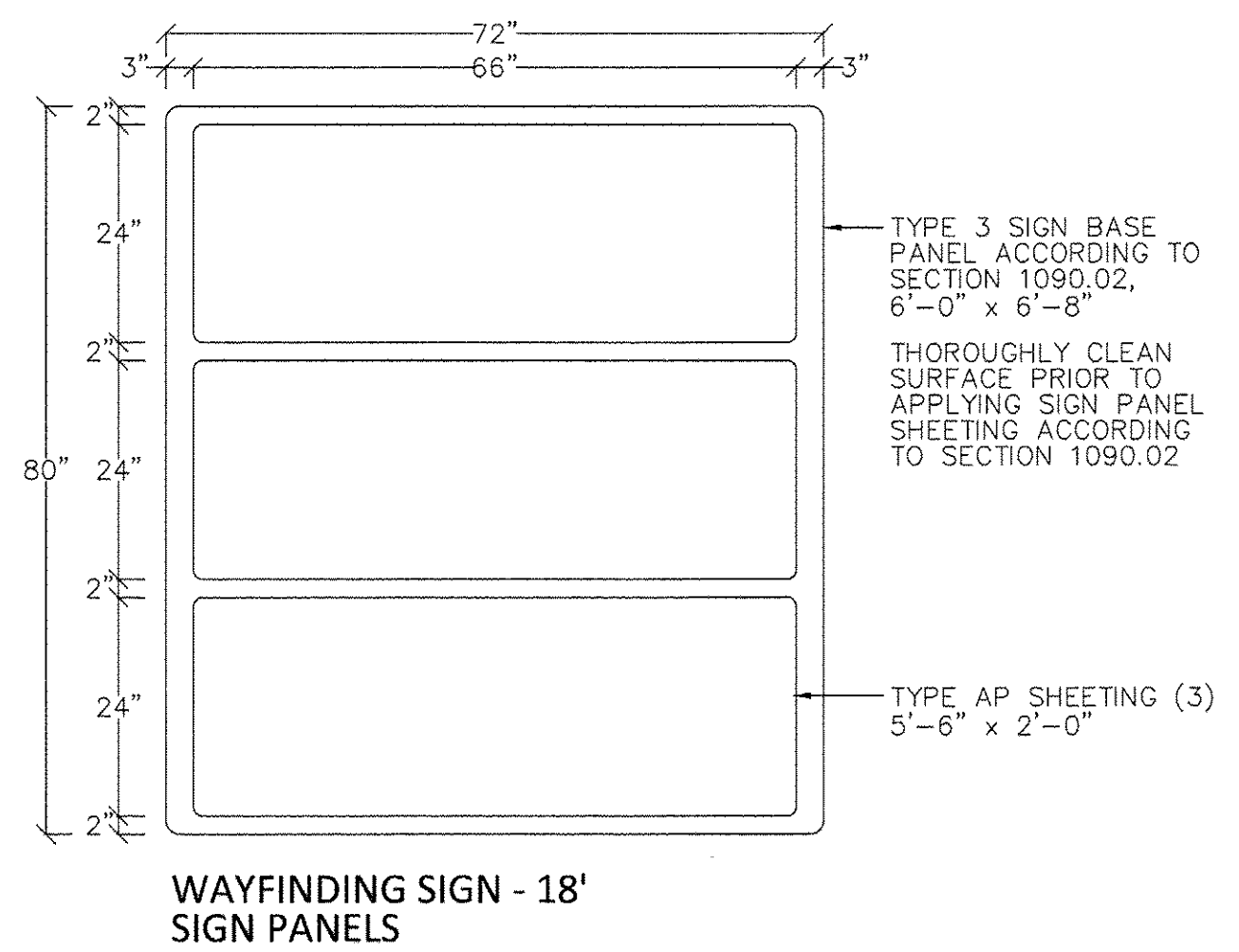
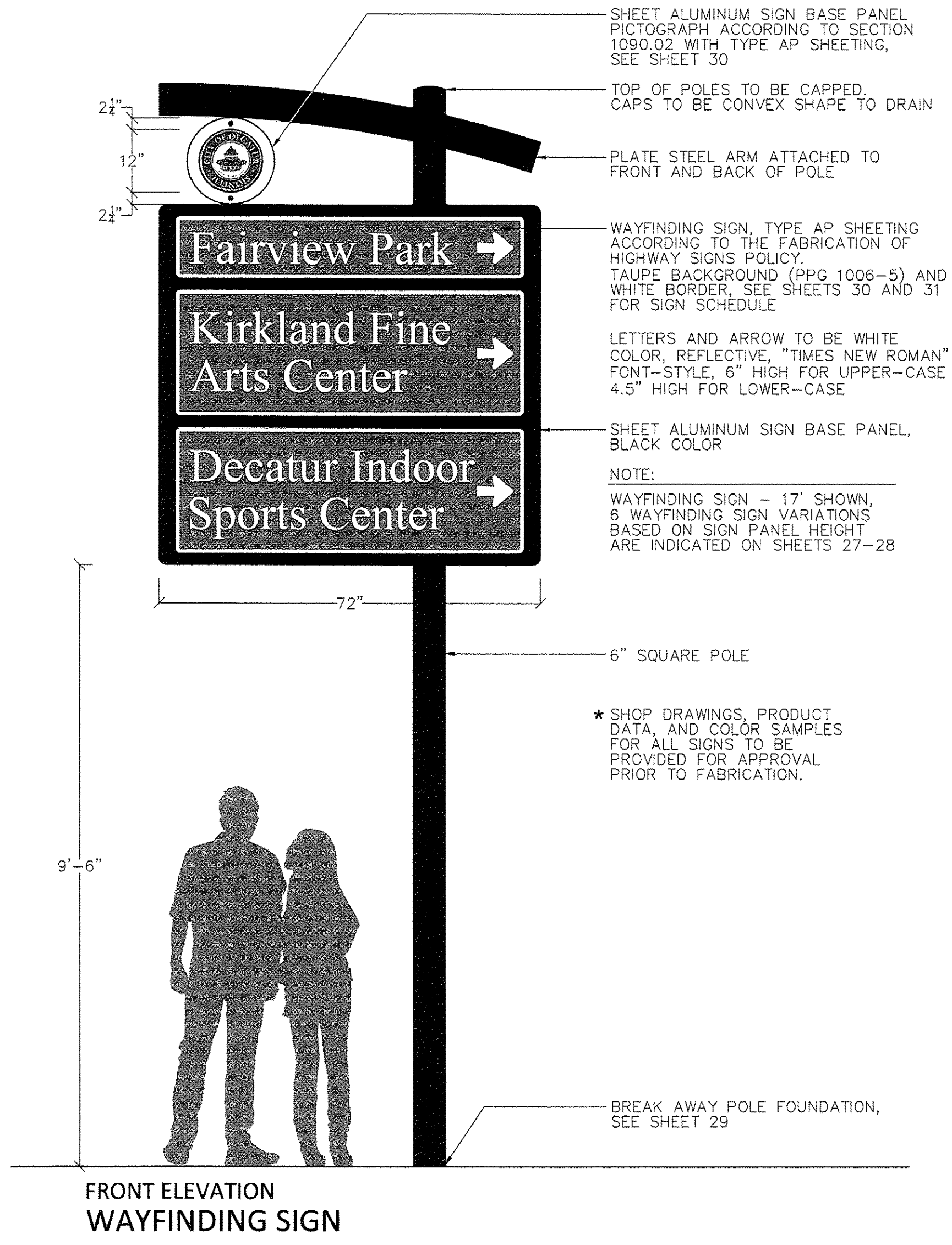
NOTES:

1. All sign locations to be staked in the field by the contractor.
2. Contractor to contact J.U.L.I.E. (1-800-892-0123) before digging to locate underground utilities.
3. All utility locations are per utility and city of Decatur record drawings. Specific locations were not excavated for field verification.

USER NAME = nbrumleve	DESIGNED -- KLM	REVISED --
PLOT SCALE = 1"=10'	DRAWN -- NFB	REVISED --
PLOT DATE = 03/24/2017	CHECKED -- KLM	REVISED --
	DATE -- 03/24/2017	REVISED --

CORRIDOR MONUMENT INSTALLATION PROJECT			
CITY OF DECATUR			
WAYFINDING SIGNS 17N & 17S			
SCALE: 1"=10'	SHEET	OF	SHEETS
STA.	TO STA.		

F.A.P. RTE.	SECTION	COUNTY	TOTAL SHEETS	SHEET NO.
323	10-00012-00-MS	MACON	34	25
710	CONTRACT NO. 95809			
ILLINOIS FED. AID PROJECT				

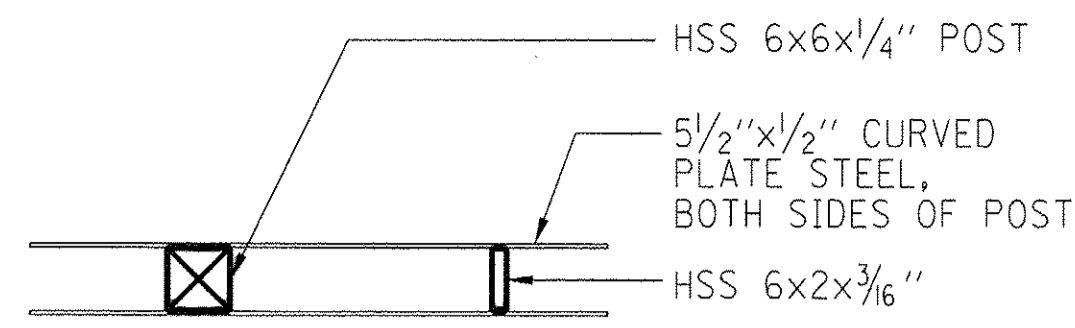


* SHOP DRAWINGS, PRODUCT DATA, AND COLOR SAMPLES FOR ALL SIGNS TO BE PROVIDED FOR APPROVAL PRIOR TO FABRICATION.

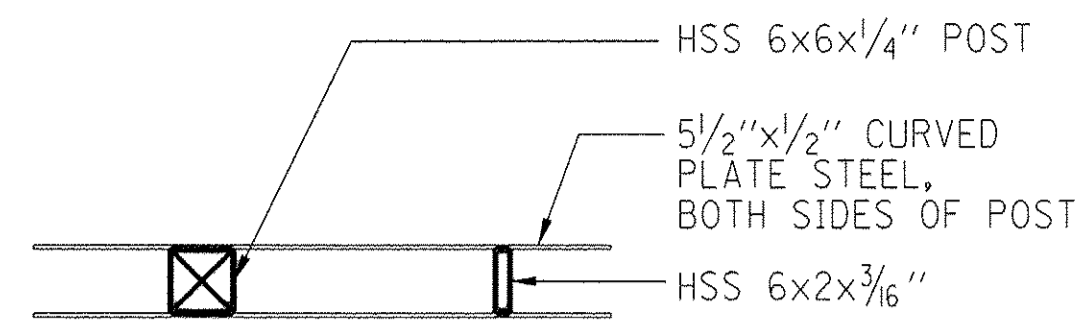
BREAK AWAY POLE FOUNDATION, SEE SHEET 29

FRONT ELEVATION WAYFINDING SIGN

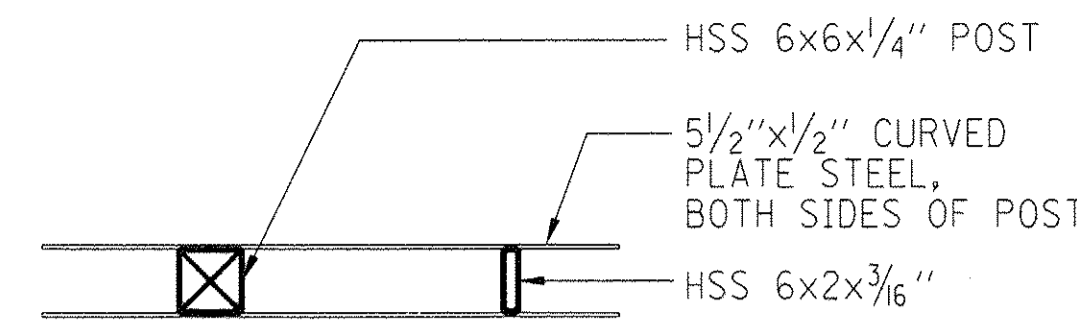
USER NAME = nbrumleve	DESIGNED -- KLM	REVISED --
PLOT SCALE = 1"=10'	DRAWN -- NFB	REVISED --
PLOT DATE = 03/24/2017	CHECKED -- KLM	REVISED --
	DATE -- 03/24/2017	REVISED --



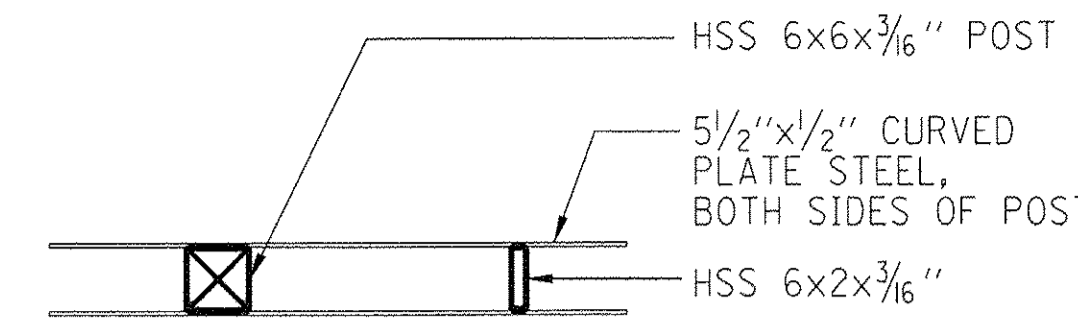
PLAN VIEW



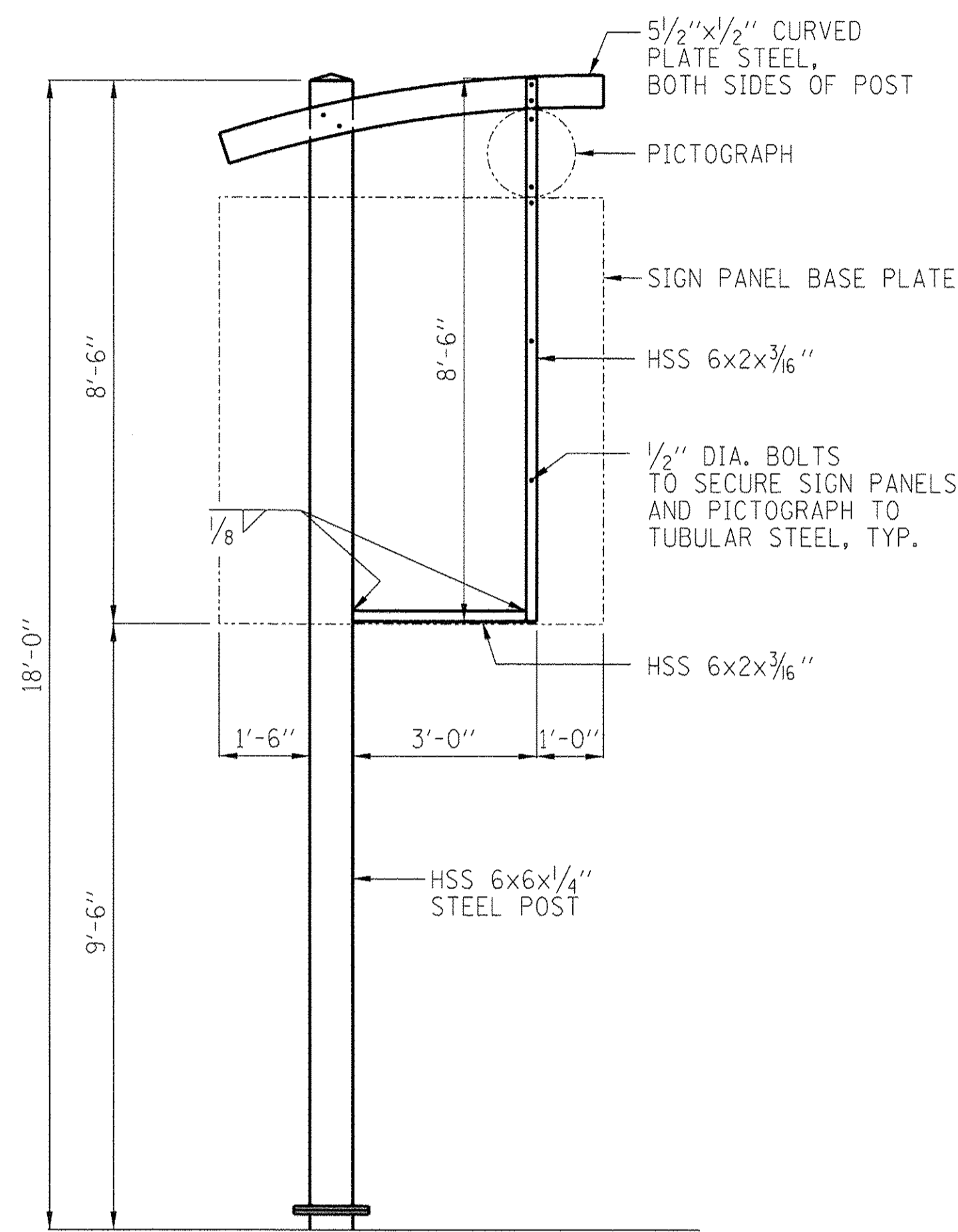
PLAN VIEW



PLAN VIEW

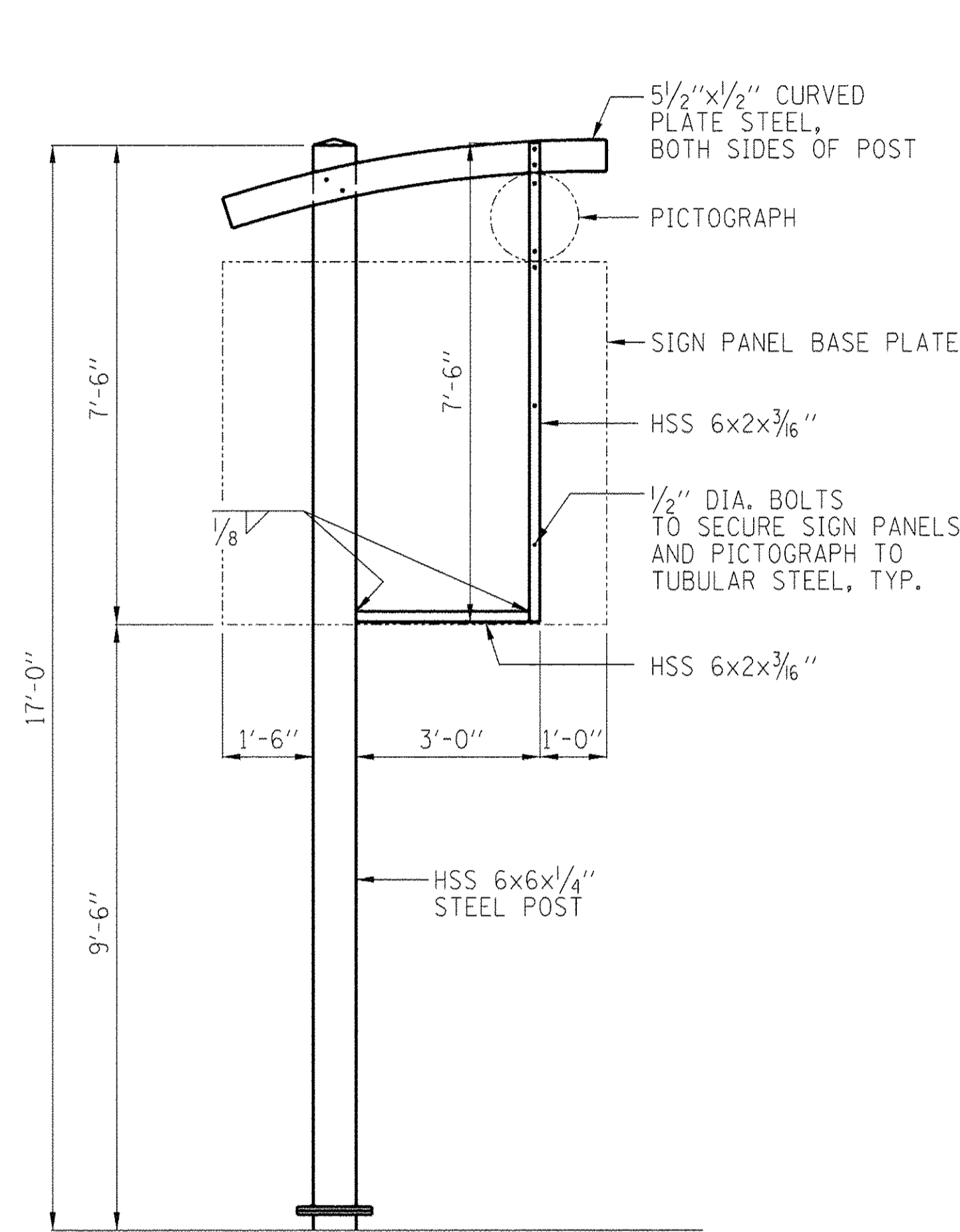


PLAN VIEW



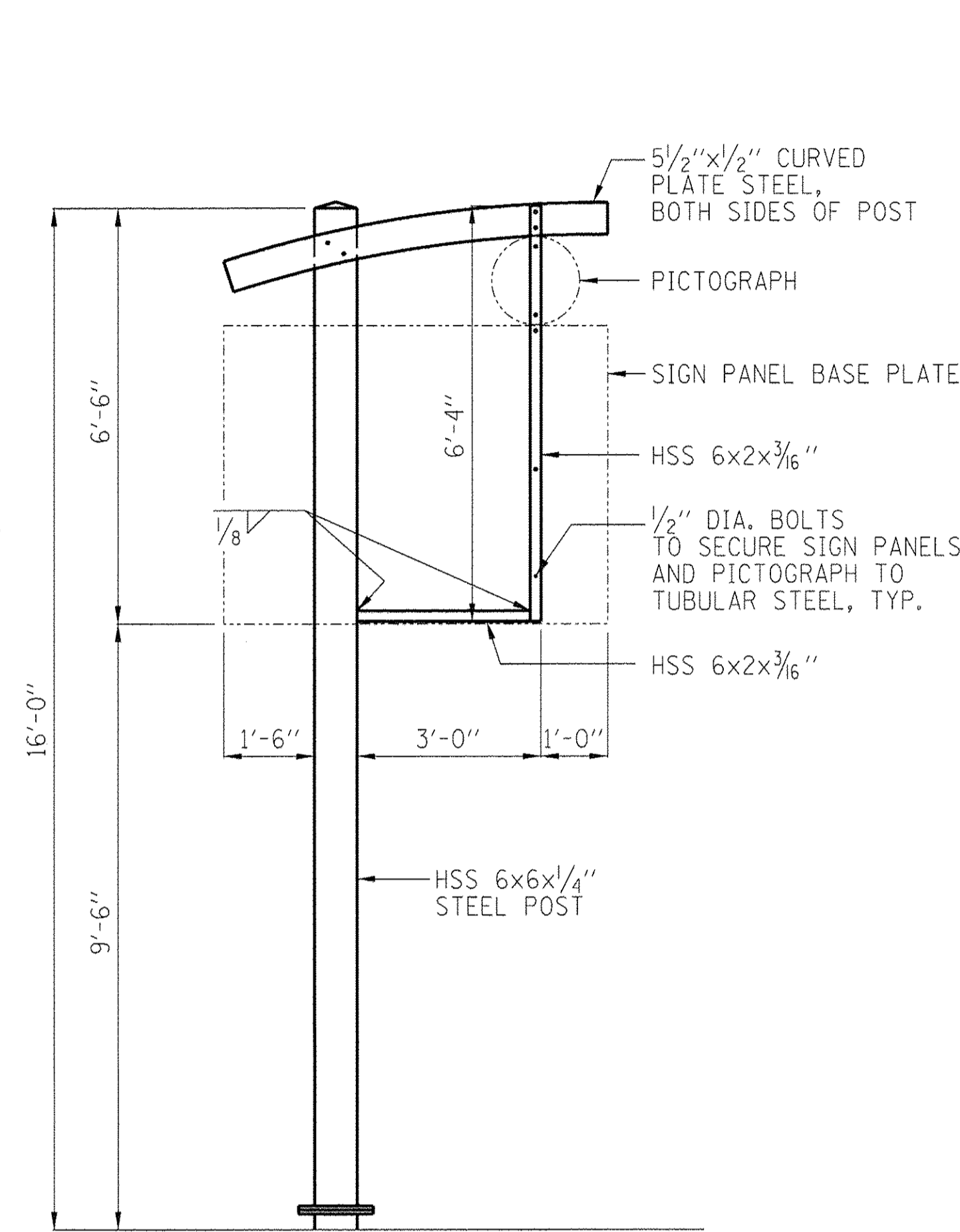
BACK SECTION

WAYFINDING SIGN - 18' (QTY=4)



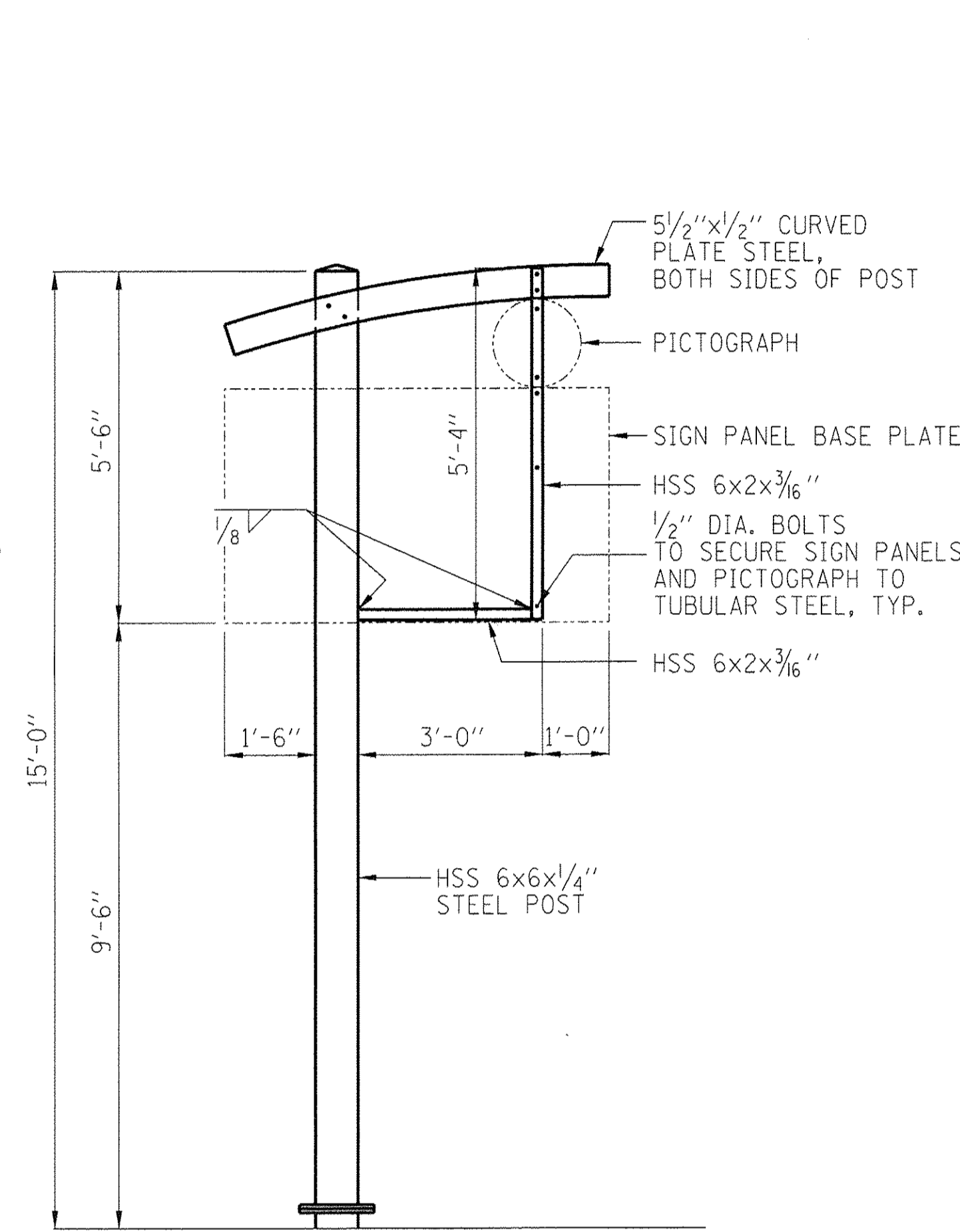
BACK SECTION

WAYFINDING SIGN - 17' (QTY=7)



BACK SECTION

WAYFINDING SIGN - 16' (QTY=7)



BACK SECTION

WAYFINDING SIGN - 15' (QTY=7)

STRUCTURAL STEEL

- ALL STEEL CONSTRUCTION AND MATERIALS SHALL CONFORM TO ASCE-7-10 AND REQUIREMENTS OF THE AISC MANUAL OF STEEL CONSTRUCTION, 14TH EDITION.
- ALL STRUCTURAL STEEL SHALL CONFORM TO ASTM A500, GRADE B FOR HOLLOW STRUCTURAL STEEL SHAPES (HSS) AND A36 FOR PLATES.
- ALL WELDING SHALL BE DONE BY AWS CERTIFIED WELDERS. ALL WELDING SHALL USE LOW HYDROGEN E-70 ELECTRODES CONFORMING TO AWS A5.18 OR APPROVED ALTERNATE. WELDING SHALL CONFORM TO THE PROVISIONS OF THE LATEST WELDING CODE (AWS D1.1)
- ALL CONNECTIONS SHALL BE WELDED OR BOLTED IN ACCORDANCE WITH THE DETAILS, SPECIFICATIONS AND THE 14TH EDITION OF THE AISC HANDBOOK. BOLTS SHALL BE ASTM A325-N, 1/2" MIN DIAMETER UNLESS SHOWN OTHERWISE.
- ALL HSS MEMBERS SHALL HAVE THE ENDS CLOSED WITH PLATES OF A MINIMUM THICKNESS OF 3/16"
- LISTED THICKNESS OF BASE PLATES IS NET FINISH THICKNESS AFTER MILLING. BASE PLATES MAY BE PRESSED FLAT AT CONTRACTORS OPTION.

GENERAL NOTES

- ALL BOLTED CONNECTIONS SHALL USE LOCK WASHERS, THREAD LOCKING COMPOUND, LOCK NUTS, OR ANY COMBINATION OF THE THREE.

DESIGN STRESSES

FY = 46 KSI (HSS)
FY = 36 KSI (PLATES)

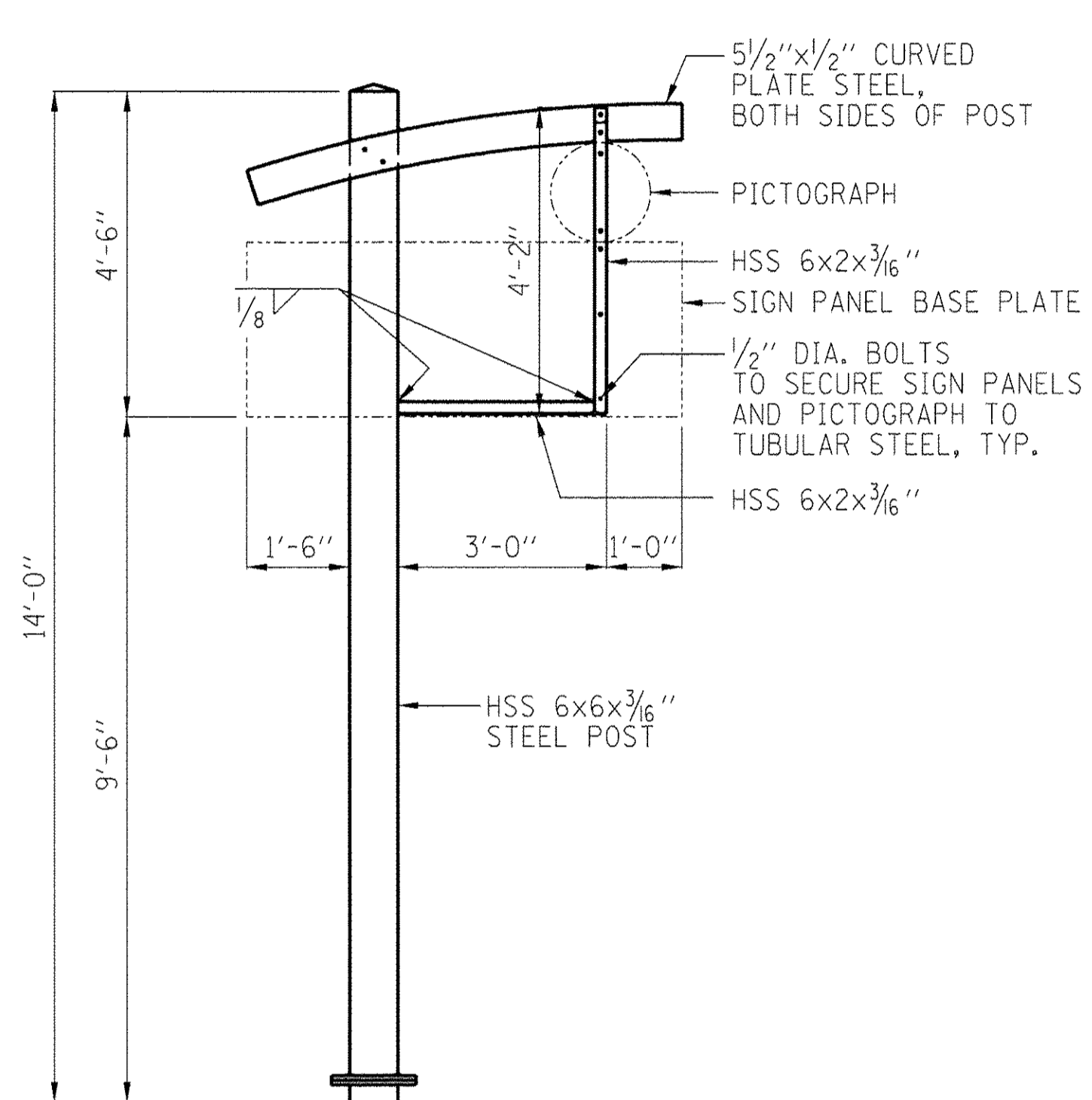
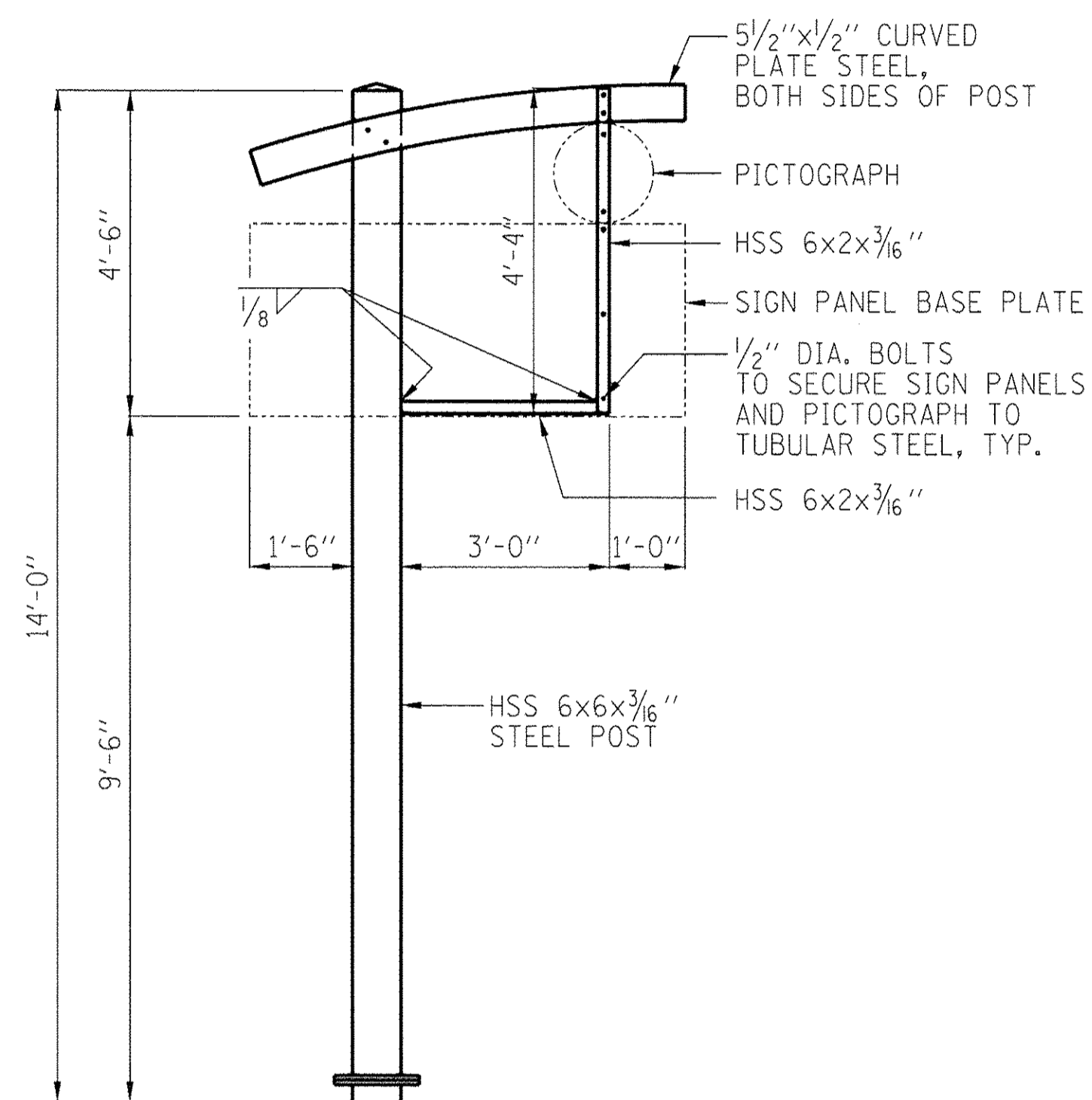
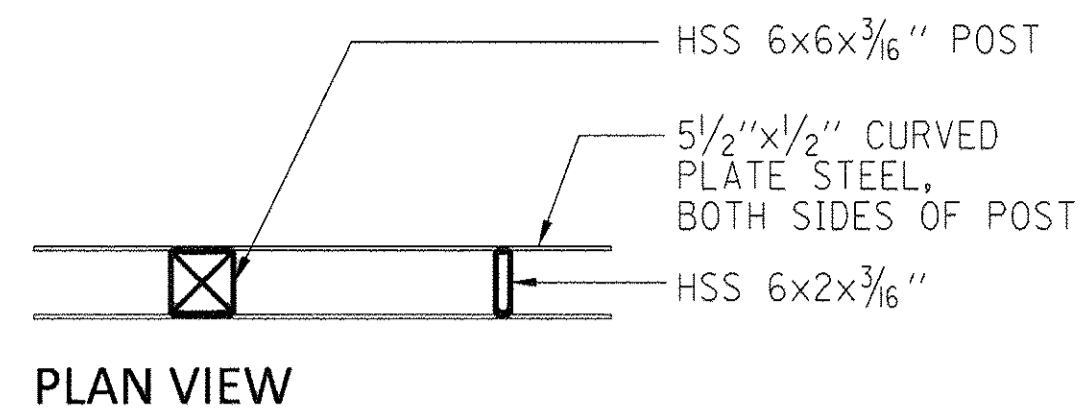
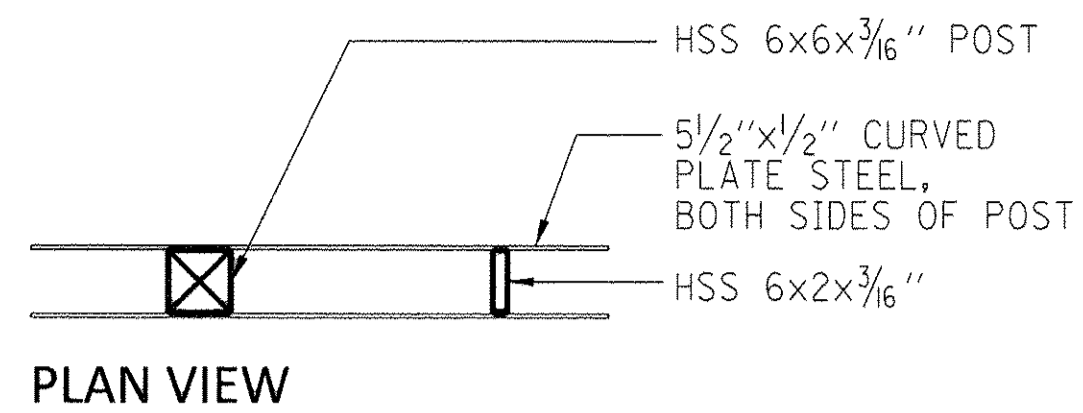
LOADING CRITERIA (ASCE 7-10)

DEAD LOAD: AS CALCULATED
WIND LOAD: DESIGN WIND LOADS BASED ON SOLID SIGNS
BASIC WIND SPEED: 105 MPH
EXPOSURE: C
IMPORTANCE FACTOR: 1.0
TOPOGRAPHY FACTOR (K_{ZT}): 1.0

FILE NAME = I:\1001\0550 - Decatur Corridor Signs\CAD\Structural\SignFrame.dgn

USER NAME = obeniz	DESIGNED - ACB	REVISED -
PLOT TIME = 12:56:28 PM	DRAWN - RLK	REVISED -
PLOT SCALE = 2.0000' / 1"	CHECKED - JMB	REVISED -
PLOT DATE = 02/03/2017	DATE - 03/24/2017	REVISED -

F.A.P. RTE.	SECTION	COUNTY	TOTAL SHEETS	SHEET NO.
323	10-00012-00-MS	MACON	34	27
CONTRACT NO. 95809				
ILLINOIS FED. AID PROJECT				



WAYFINDING SIGN - 14'-A (QTY=1)

WAYFINDING SIGN - 14'-B (QTY=7)

FILE NAME = I:\1001\6580 - Decatur Corridor Signs\0600.Structural\SignFrame.dgn

CHASTAIN & ASSOCIATES LLC
 CONSULTING ENGINEERS
 184-001397

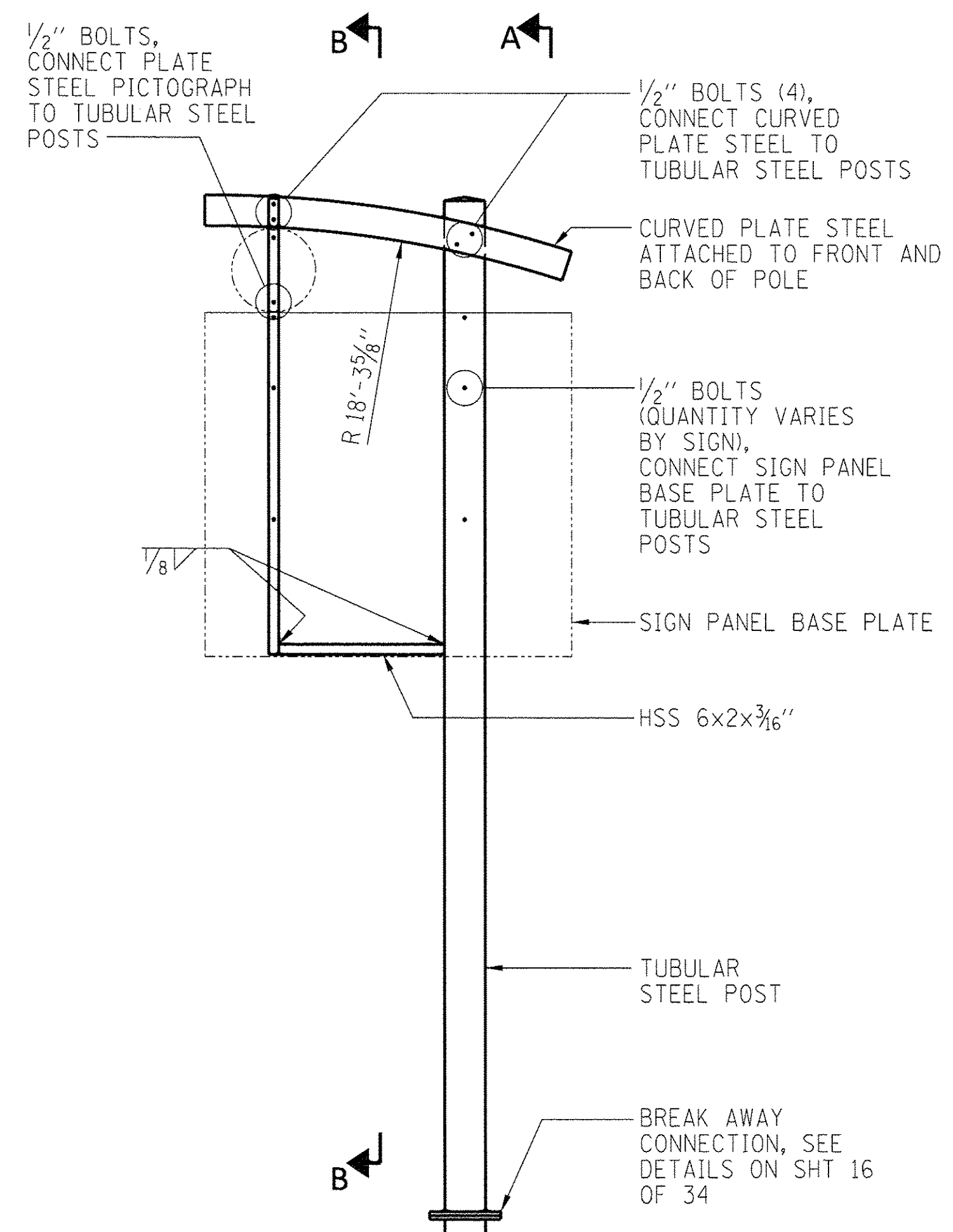
USER NAME = obenz	DESIGNED - ACB	REVISED -
PLOT TIME = 12:56:48 PM	DRAWN - RLK	REVISED -
PLOT SCALE = 2.0000' / 1"	CHECKED - JMB	REVISED -
PLOT DATE = 02/03/2017	DATE - 03/24/2017	REVISED -

STATE OF ILLINOIS
 DEPARTMENT OF TRANSPORTATION

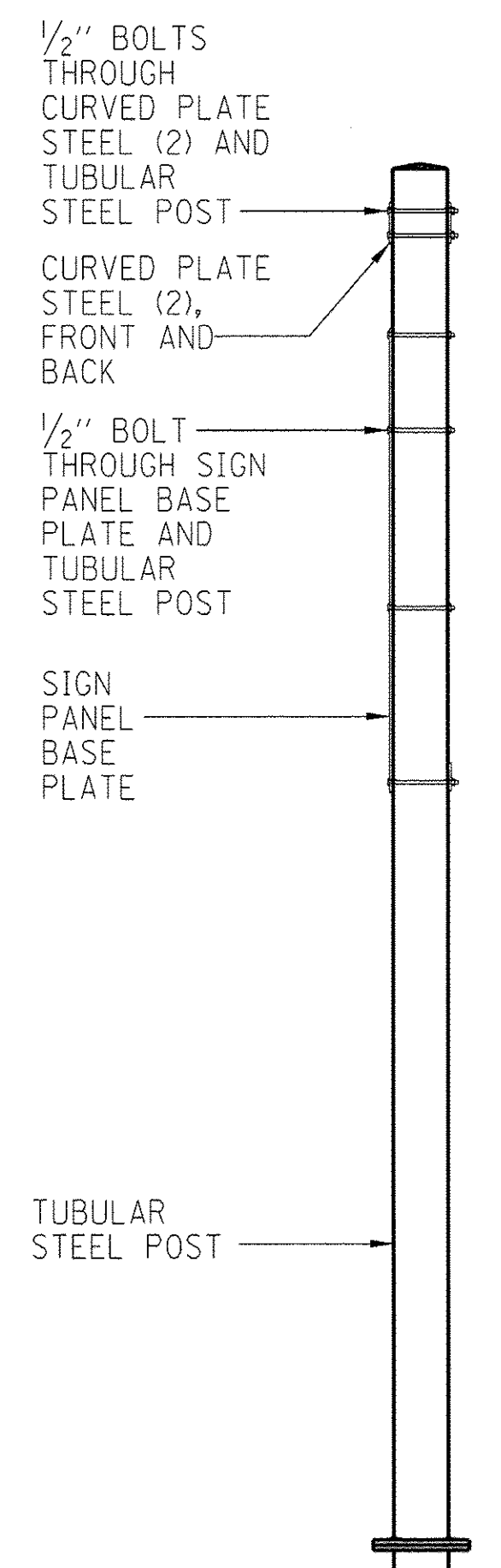
CORRIDOR MONUMENT INSTALLATION PROJECT
 CITY OF DECATUR
 WAYFINDING SIGNS

SHEET NO. OF SHEETS

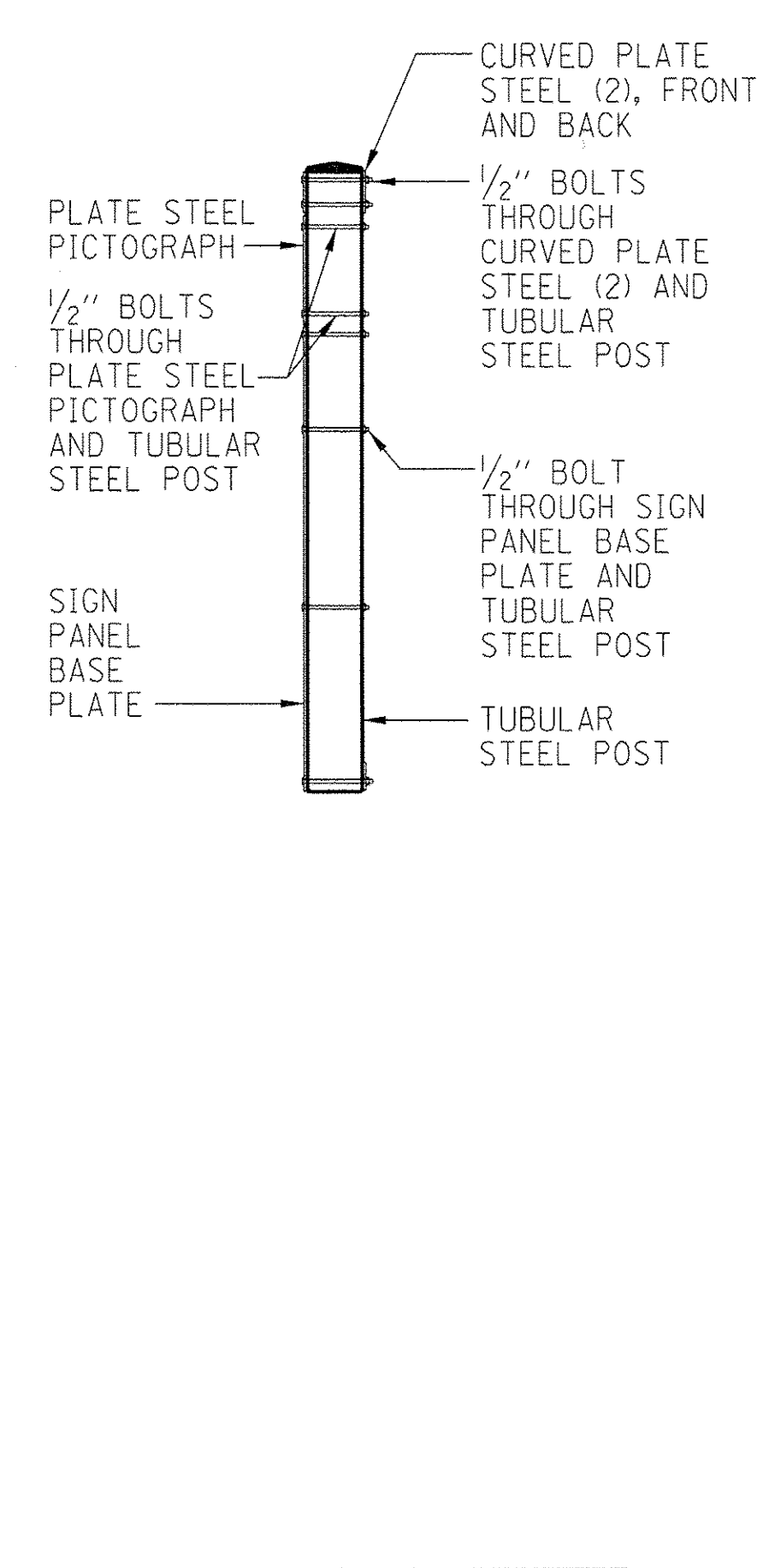
F.A.P. RTE.	SECTION	COUNTY	TOTAL SHEETS	SHEET NO.
323	10-00012-00-MS	MACON	34	28
CONTRACT NO. 95809				
ILLINOIS FED. AID PROJECT				



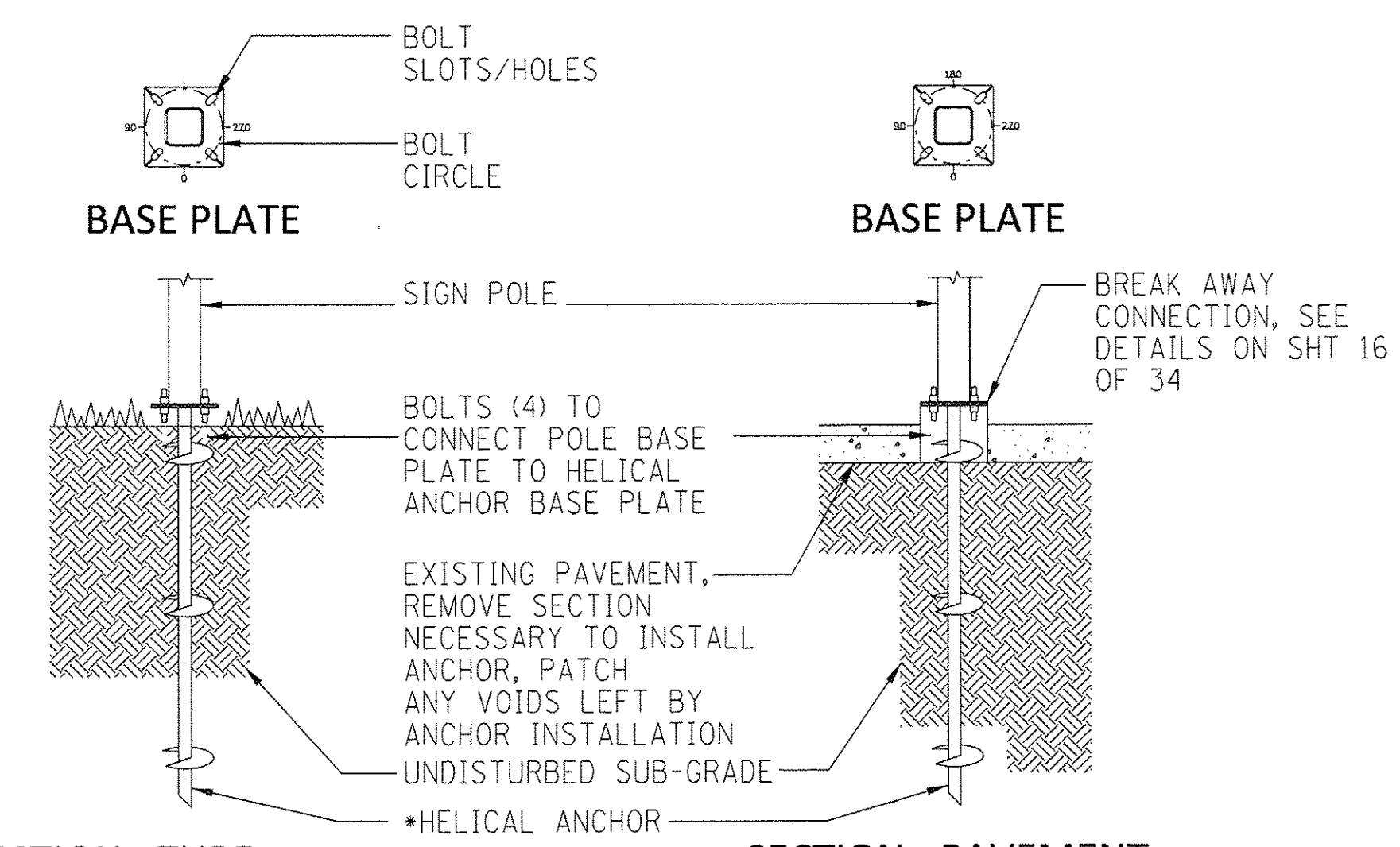
FRONT ELEVATION - CONNECTION DETAILS WAYFINDING SIGN



SIDE ELEVATION - CONNECTION DETAILS SECTION A-A



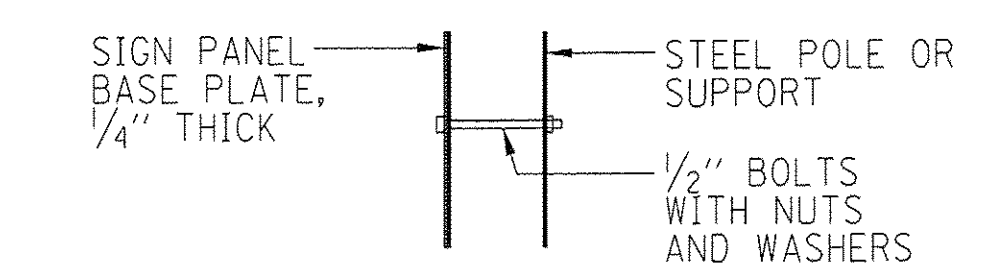
SIDE ELEVATION - CONNECTION DETAILS SECTION B-B



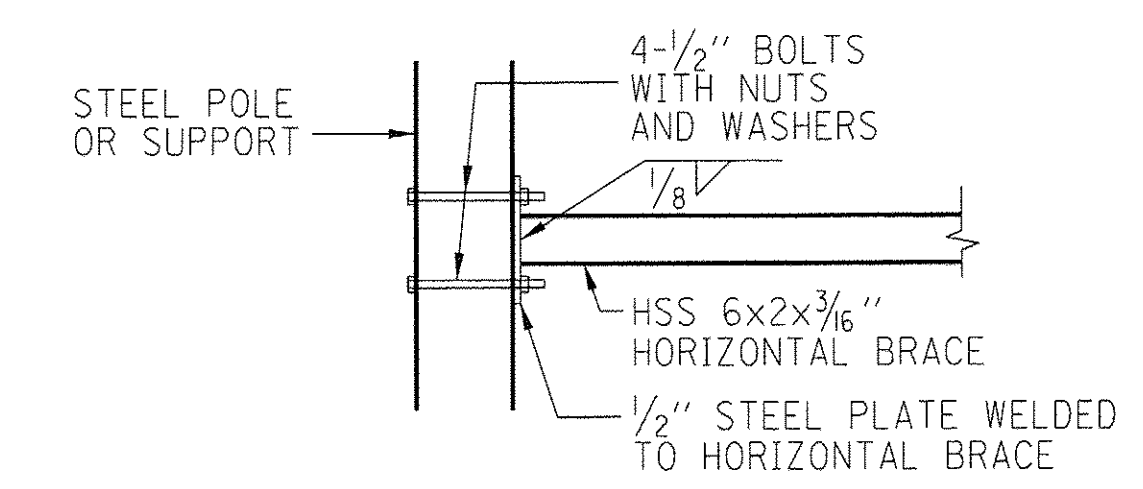
SECTION - TURF LOCATIONS SECTION - PAVEMENT LOCATIONS

*HELICAL ANCHORS SHALL BE DESIGNED TO RESIST 1,600 LB LATERAL LOAD AND A 20,000 LB-FT OVERTURNING MOMENT (POLES 16', 17', & 18') 1,000 LB LATERAL LOAD AND A 10,500 LB-FT OVERTURNING MOMENT (POLES 14' & 15')

WAYFINDING SIGN FOUNDATIONS



BOLTED CONNECTION DETAIL FOR SIGN PANEL & PICTOGRAPH



ALTERNATE BOLTED CONNECTION DETAIL FOR TUBULAR STEEL

FILE NAME = I:\DOT\6558 - Decatur Corridor - Signs\CADD\Structural\SignFrame2.dgn

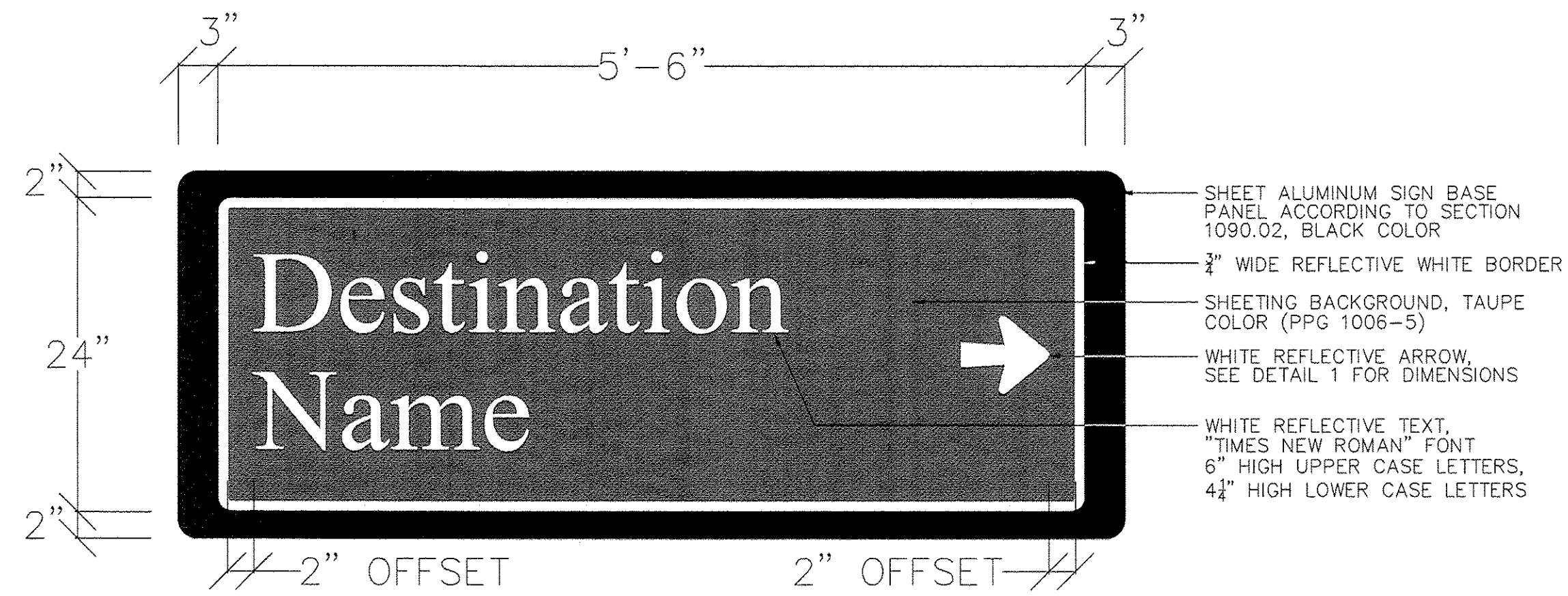
CHASTAIN & ASSOCIATES LLC
CONSULTING ENGINEERS
184-001397

USER NAME = abenz	DESIGNED - ACB	REVISED -
PLOT TIME = 1:07:55 PM	DRAWN - RLK	REVISED -
PLOT SCALE = 2.0000' / 1"	CHECKED - JMB	REVISED -
PLOT DATE = 02/03/2017	DATE - 03/24/2017	REVISED -

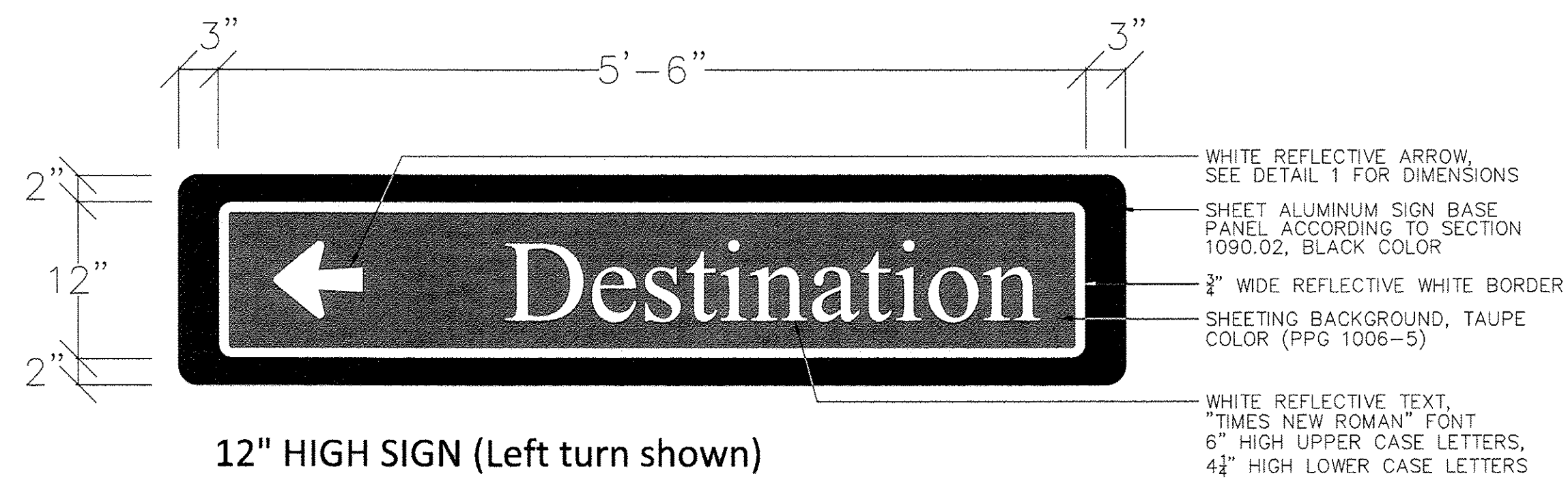
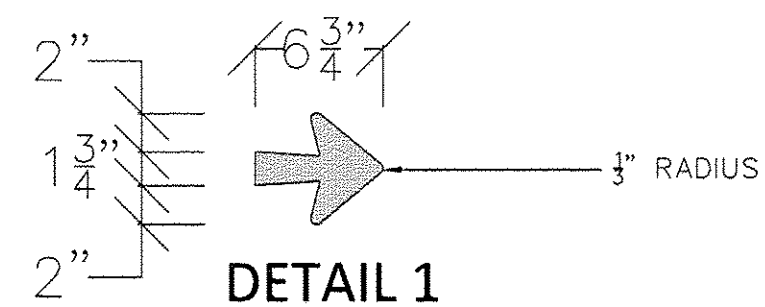
STATE OF ILLINOIS
DEPARTMENT OF TRANSPORTATION

CORRIDOR MONUMENT INSTALLATION PROJECT
CITY OF DECATUR
WAYFINDING SIGNS
SHEET NO. OF SHEETS

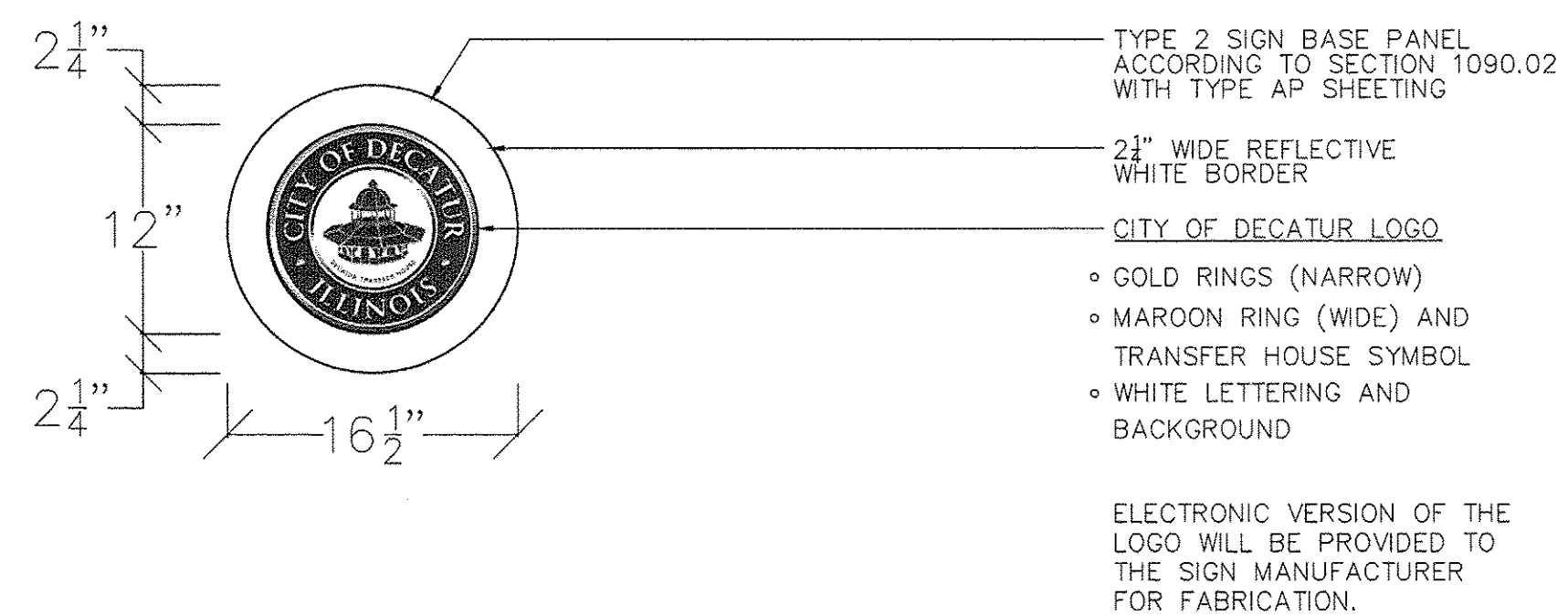
F.A.P. RTE.	SECTION	COUNTY	TOTAL SHEETS	SHEET NO.
323	10-00012-00-MS	MACON	34	29
CONTRACT NO. 95809			ILLINOIS FED. AID PROJECT	



24" HIGH SIGN (Right turn shown)



12" HIGH SIGN (Left turn shown)



Sign 1W



Sign 1E



Sign 2W



Sign 2E



Sign 2.1E



Sign 2W



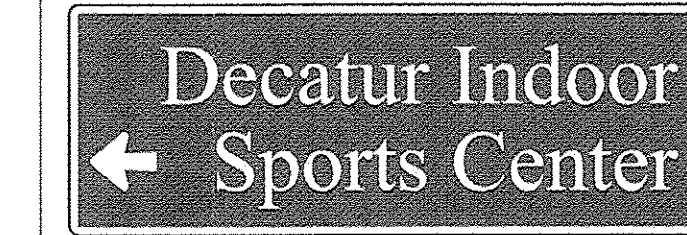
Sign 2E



Sign 2.1E



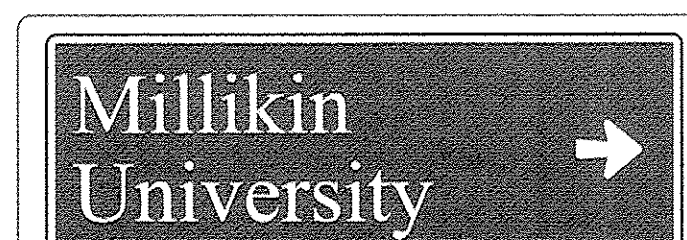
Sign 2W



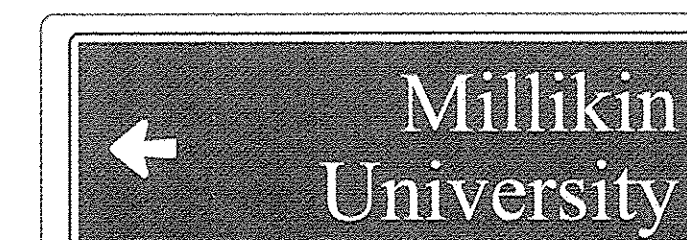
Sign 2E



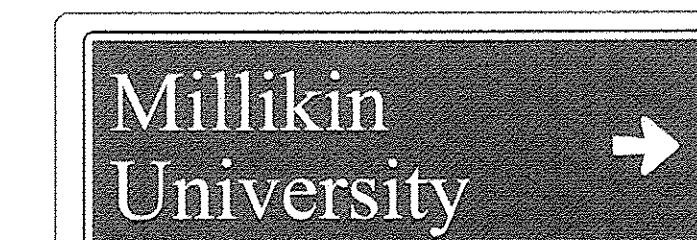
Sign 2.1E



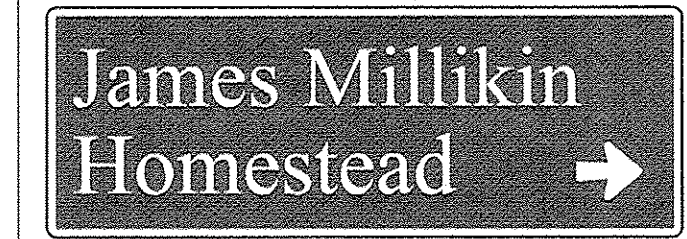
Sign 3W



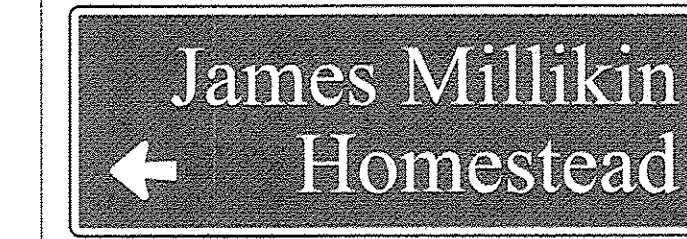
Sign 3E



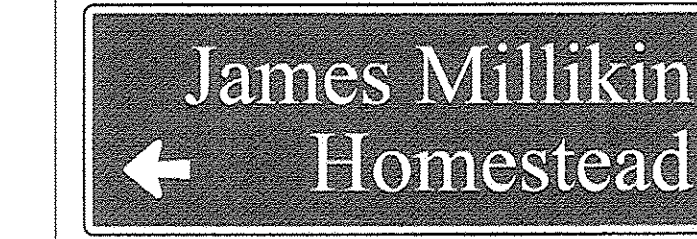
Sign 3N



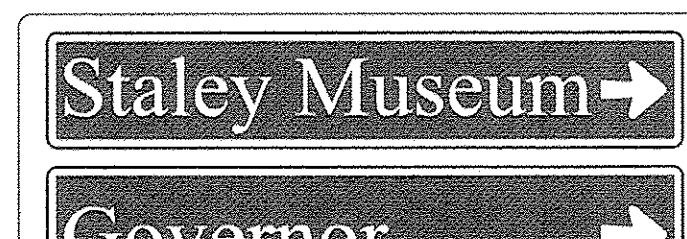
Sign 3W



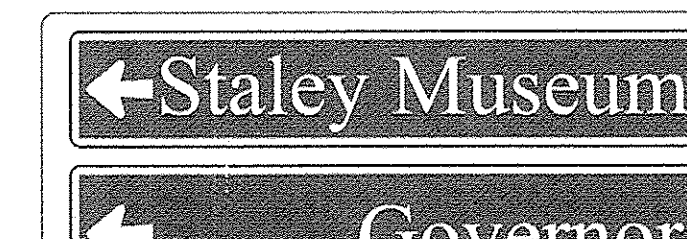
Sign 3E



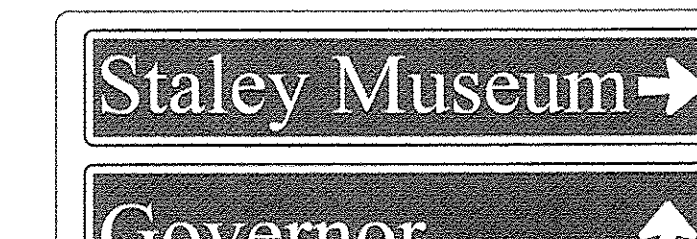
Sign 3N



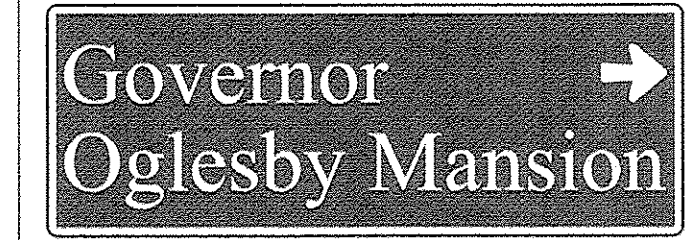
Sign 4W



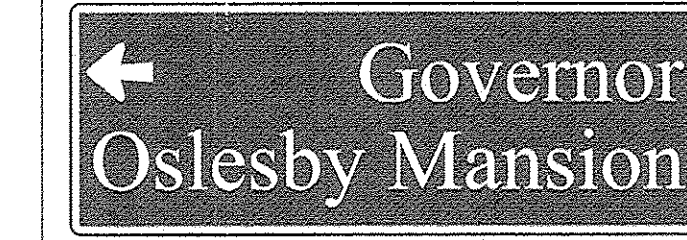
Sign 4E



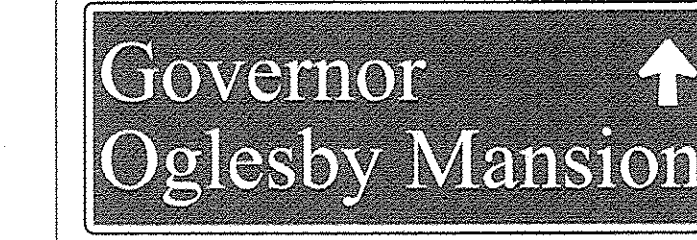
Sign 4N-1



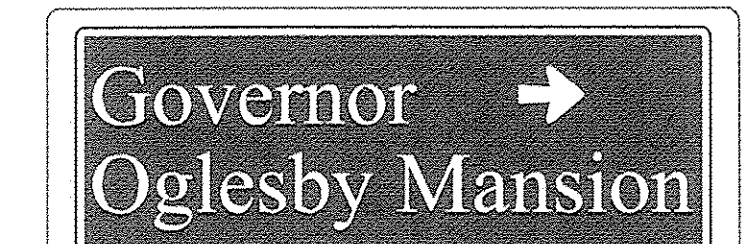
Sign 4W



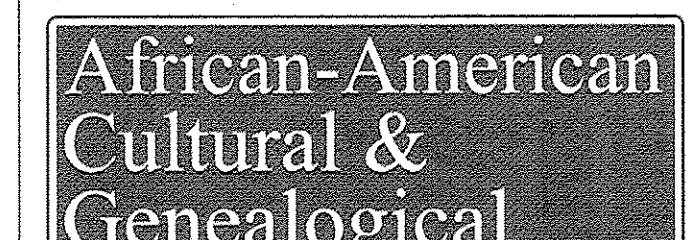
Sign 4E



Sign 4N-1



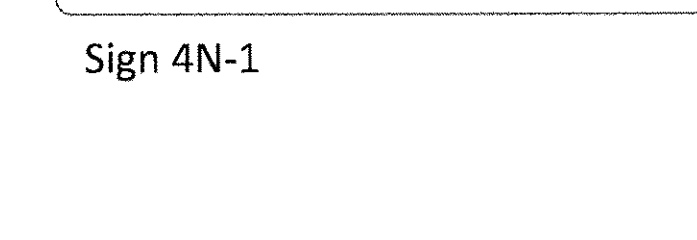
Sign 4N-2



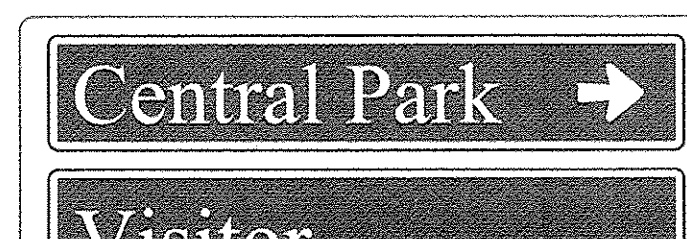
Sign 4W



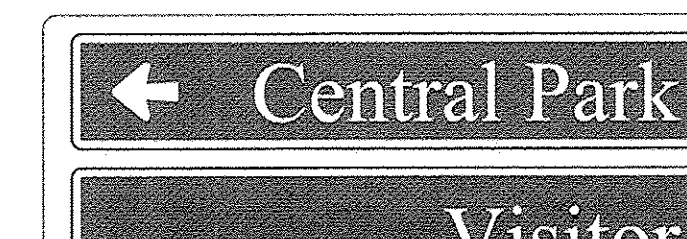
Sign 4E



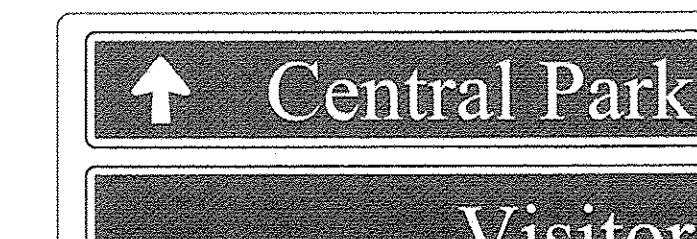
Sign 4N-1



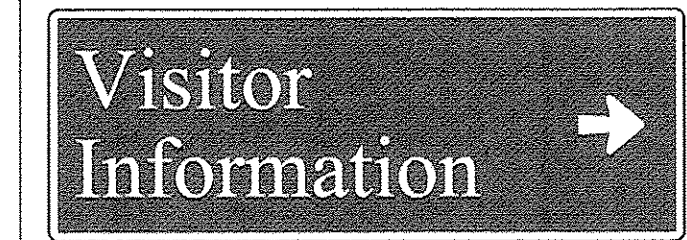
Sign 5W



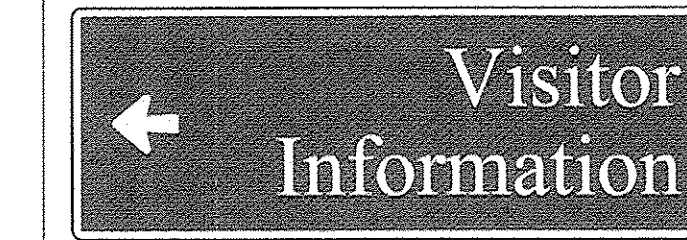
Sign 5E



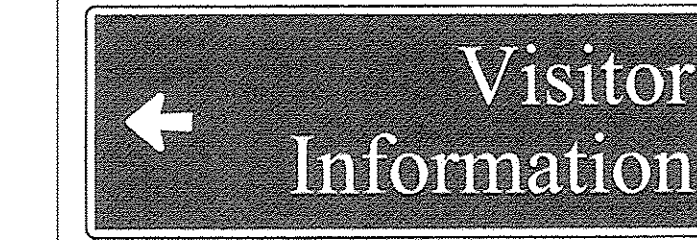
Sign 5N



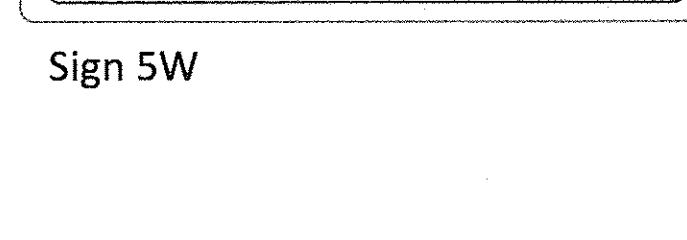
Sign 5W



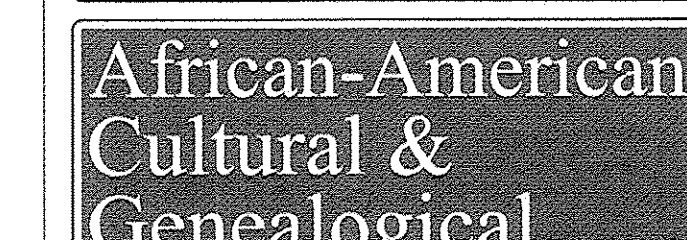
Sign 5E



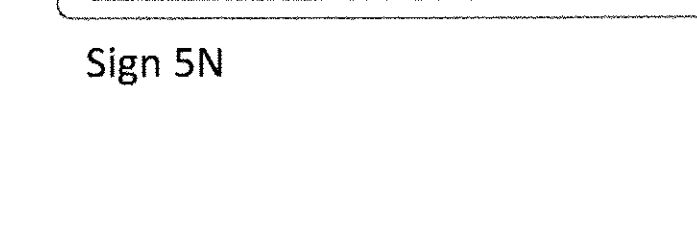
Sign 5N



Sign 5W



Sign 5E



Sign 5N

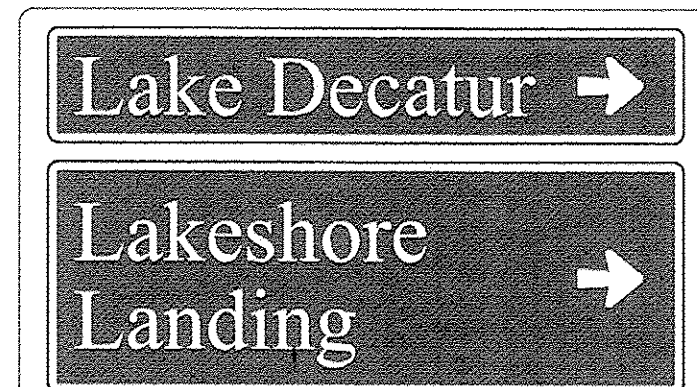
Sign 5E



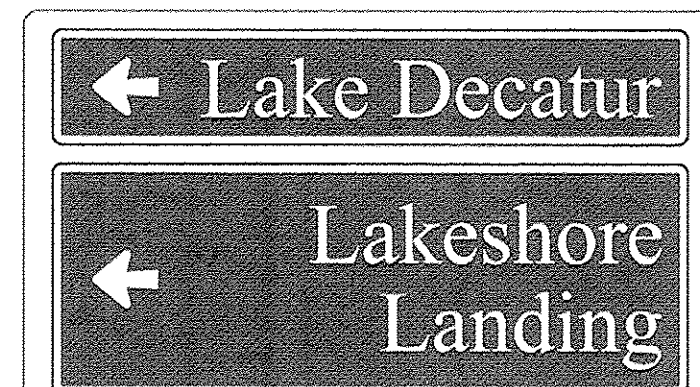
Sign 6W



Sign 6E



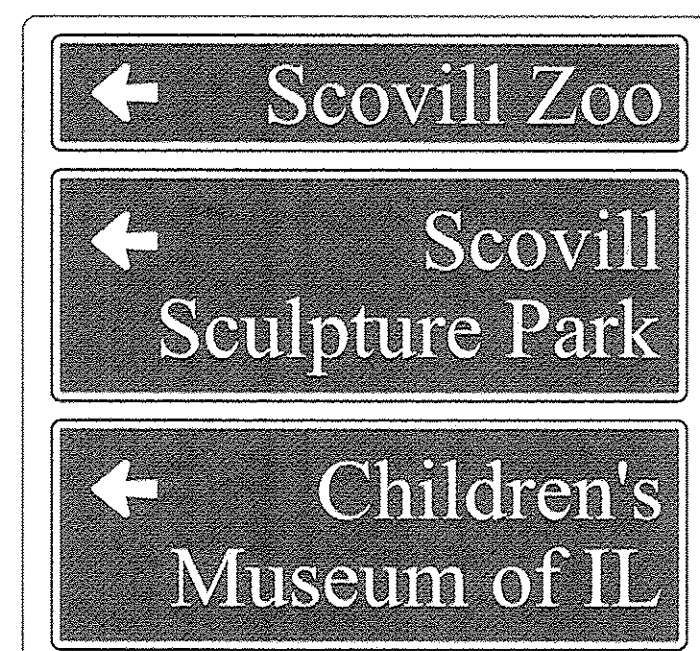
Sign 7W



Sign 7E



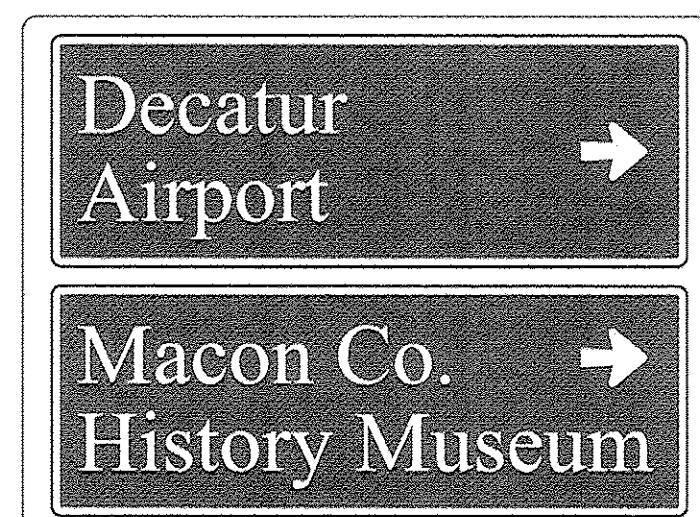
Sign 8W



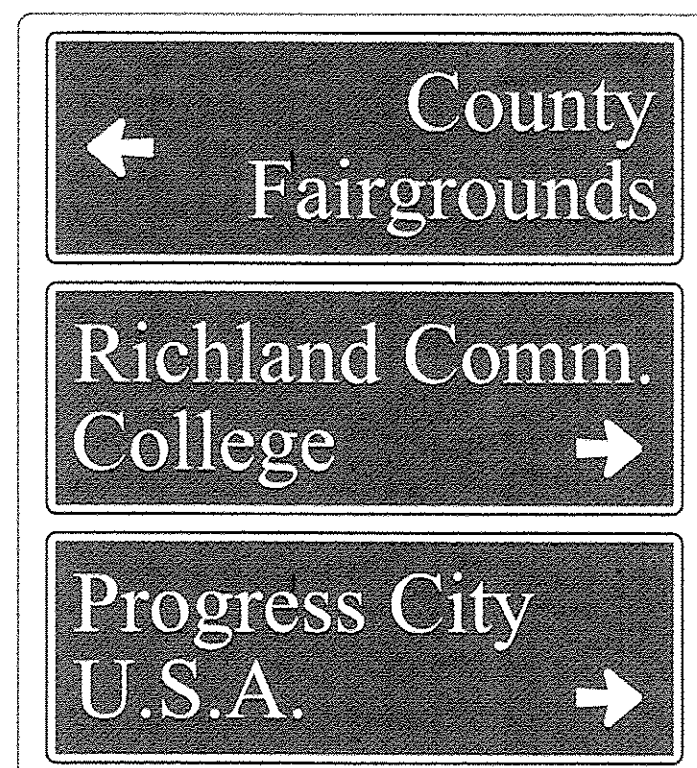
Sign 8E



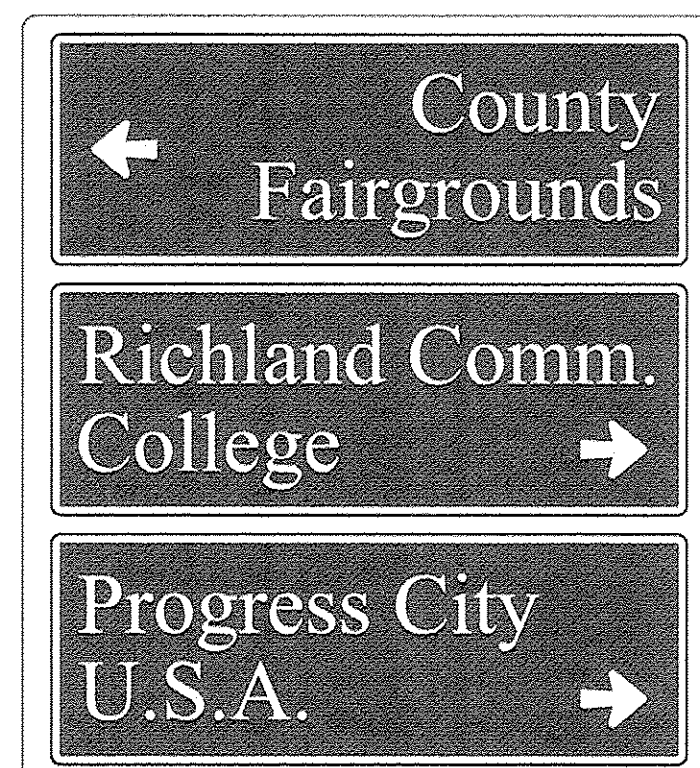
Sign 9W



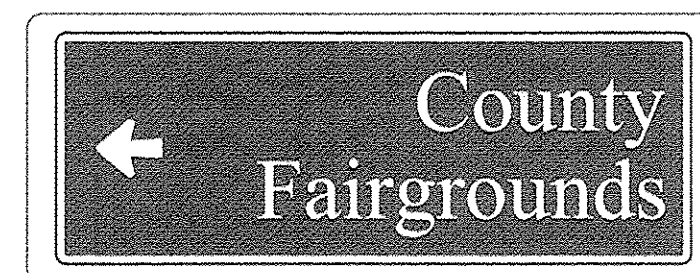
Sign 9E



Sign 10N



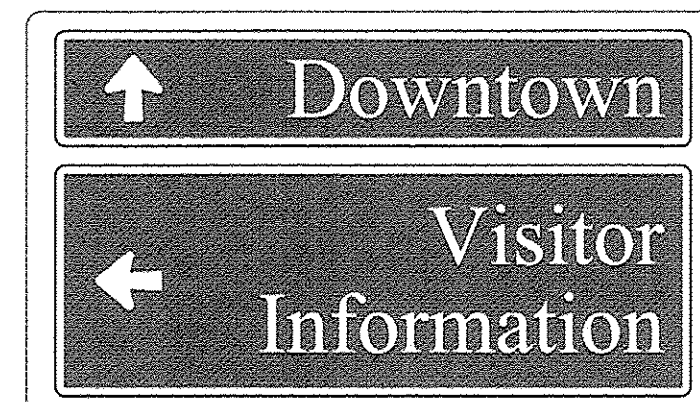
Sign 10S



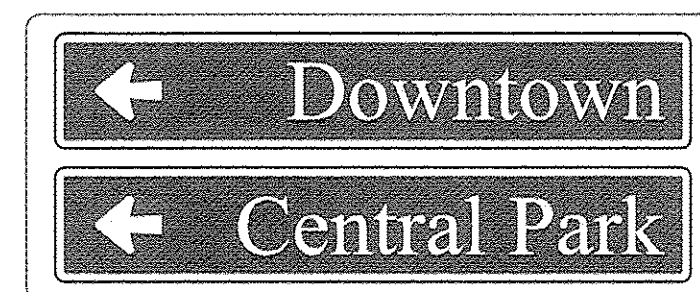
Sign 11E



Sign 12W



Sign 13N



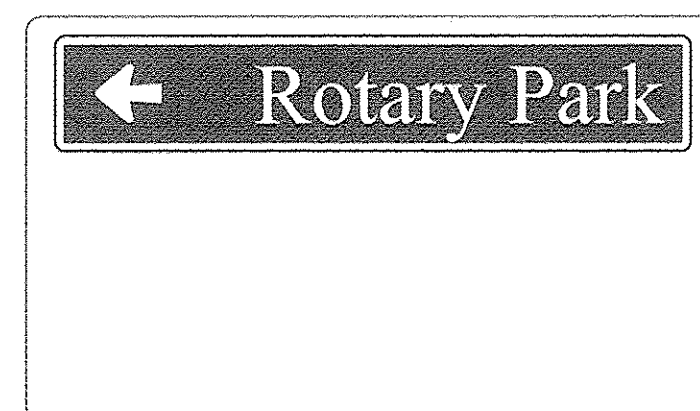
Sign 14S



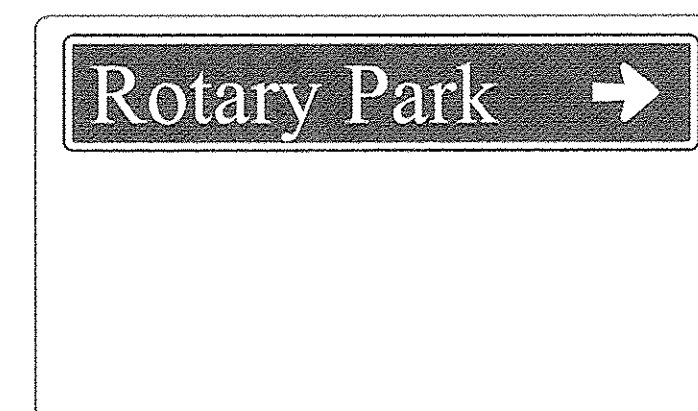
Sign 15N



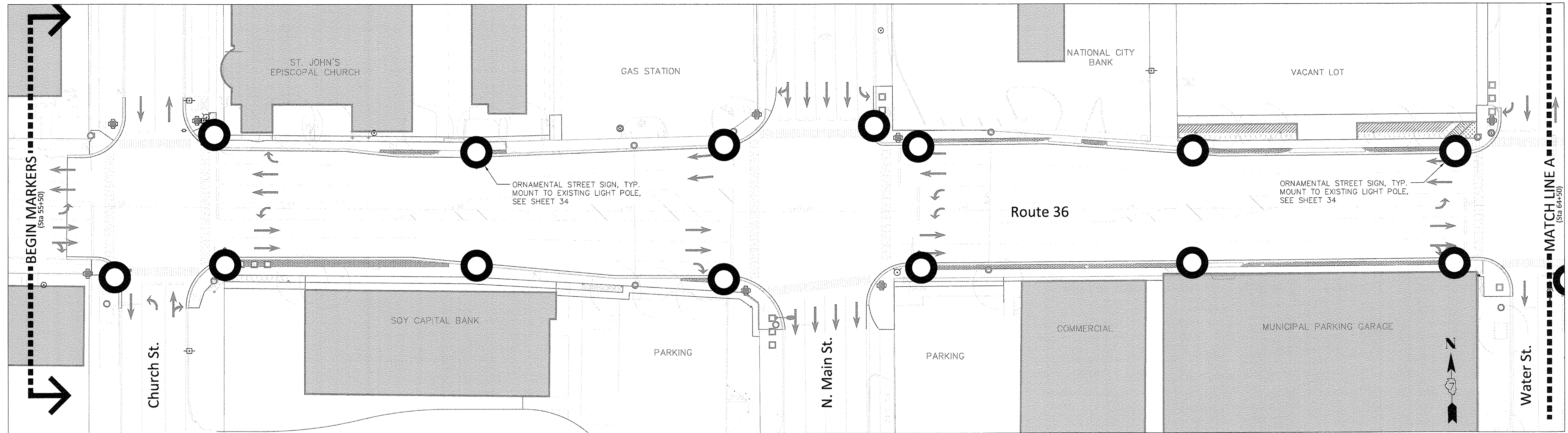
Sign 16E



Sign 17N

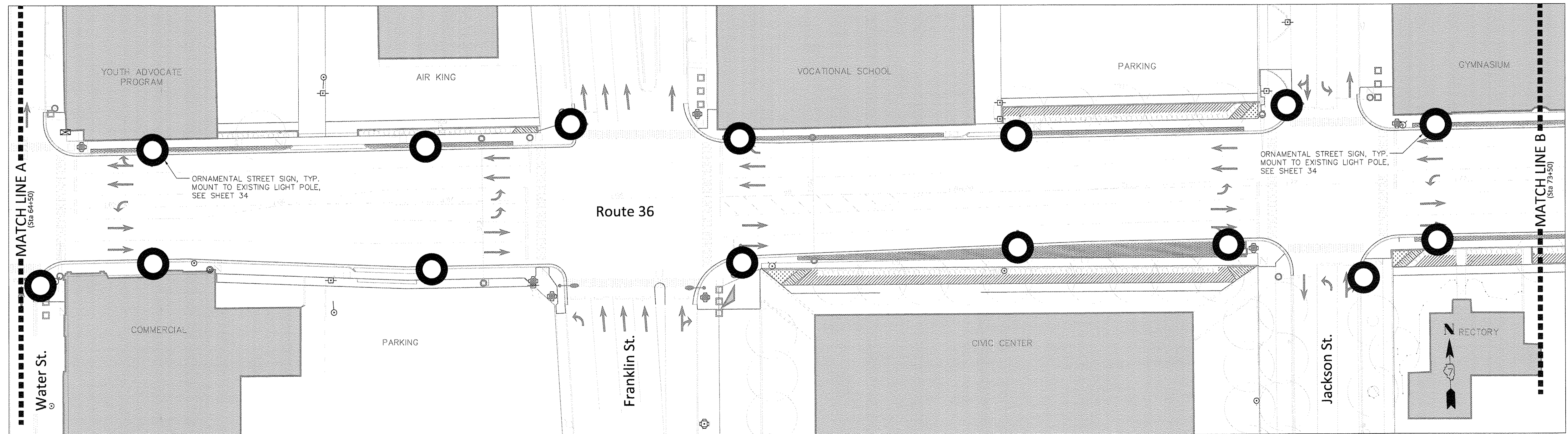
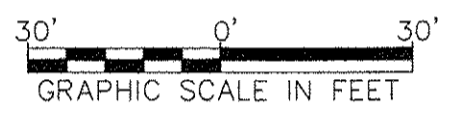


Sign 17S



Legend

- ORNAMENTAL STREET SIGN LOCATIONS, MOUNT TO EXISTING LIGHT POLES



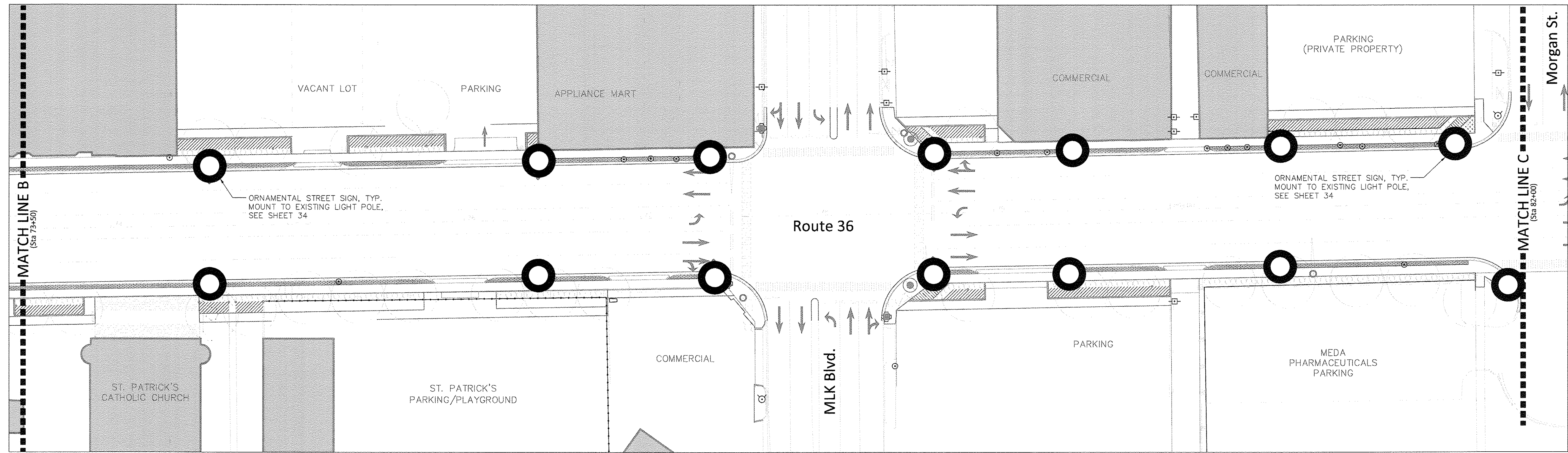
Legend

- ORNAMENTAL STREET SIGN LOCATIONS, MOUNT TO EXISTING LIGHT POLES



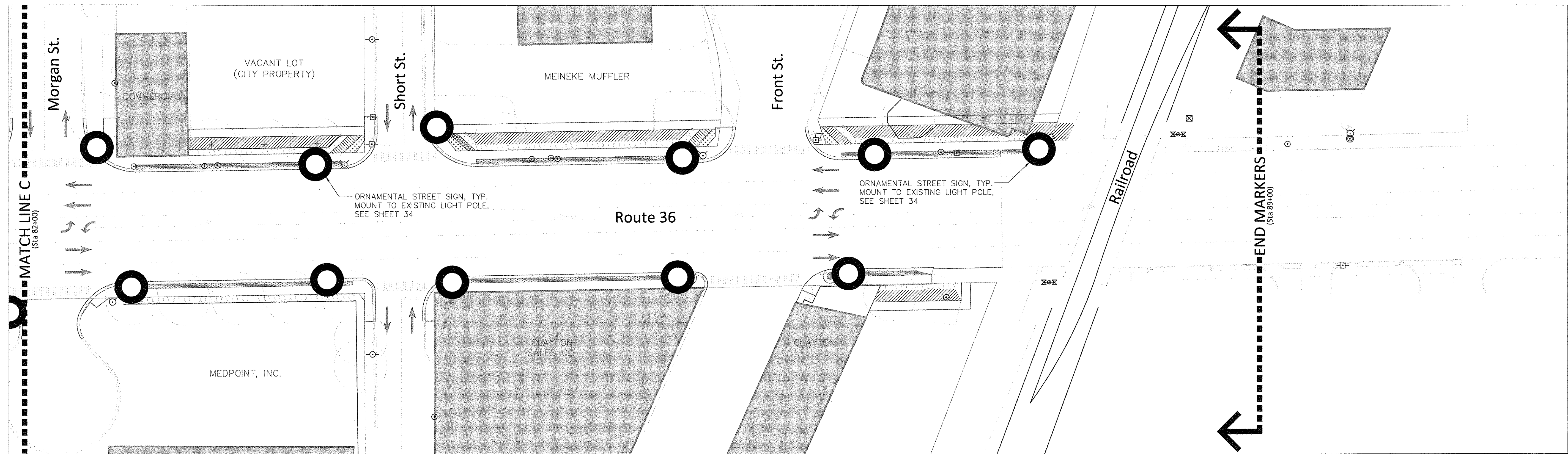
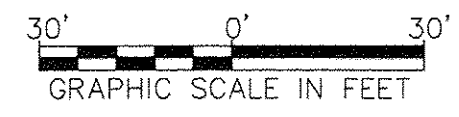
	USER NAME = nbrumleve	DESIGNED -- KLM	REVISED --	STATE OF ILLINOIS DEPARTMENT OF TRANSPORTATION	CORRIDOR MONUMENT INSTALLATION PROJECT CITY OF DECATUR ORNAMENTAL STREET SIGN - LOCATION PLAN 1			F.A.P. RTE.	SECTION	COUNTY	TOTAL SHEETS	SHEET NO.
	PLOT SCALE = 1"=10'	DRAWN -- NFB	REVISED --		323	10-00012-00-MS	MACON	34	32			
	PLOT DATE = 03/24/2017	CHECKED -- KLM	REVISED --		710	CONTRACT NO. 95809						
	DATE -- 03/24/2017	REVISOR --	REVISED --		ILLINOIS FED. AID PROJECT							

SCALE: 1"=10' SHEET OF SHEETS STA. TO STA.



Legend

- ORNAMENTAL STREET SIGN LOCATIONS, MOUNT TO EXISTING LIGHT POLES



Legend

- ORNAMENTAL STREET SIGN LOCATIONS, MOUNT TO EXISTING LIGHT POLES

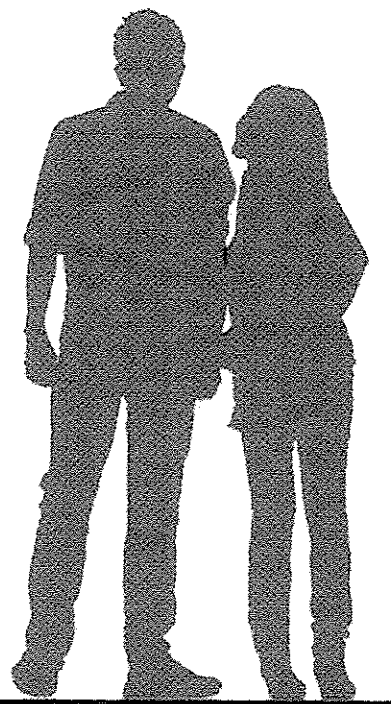
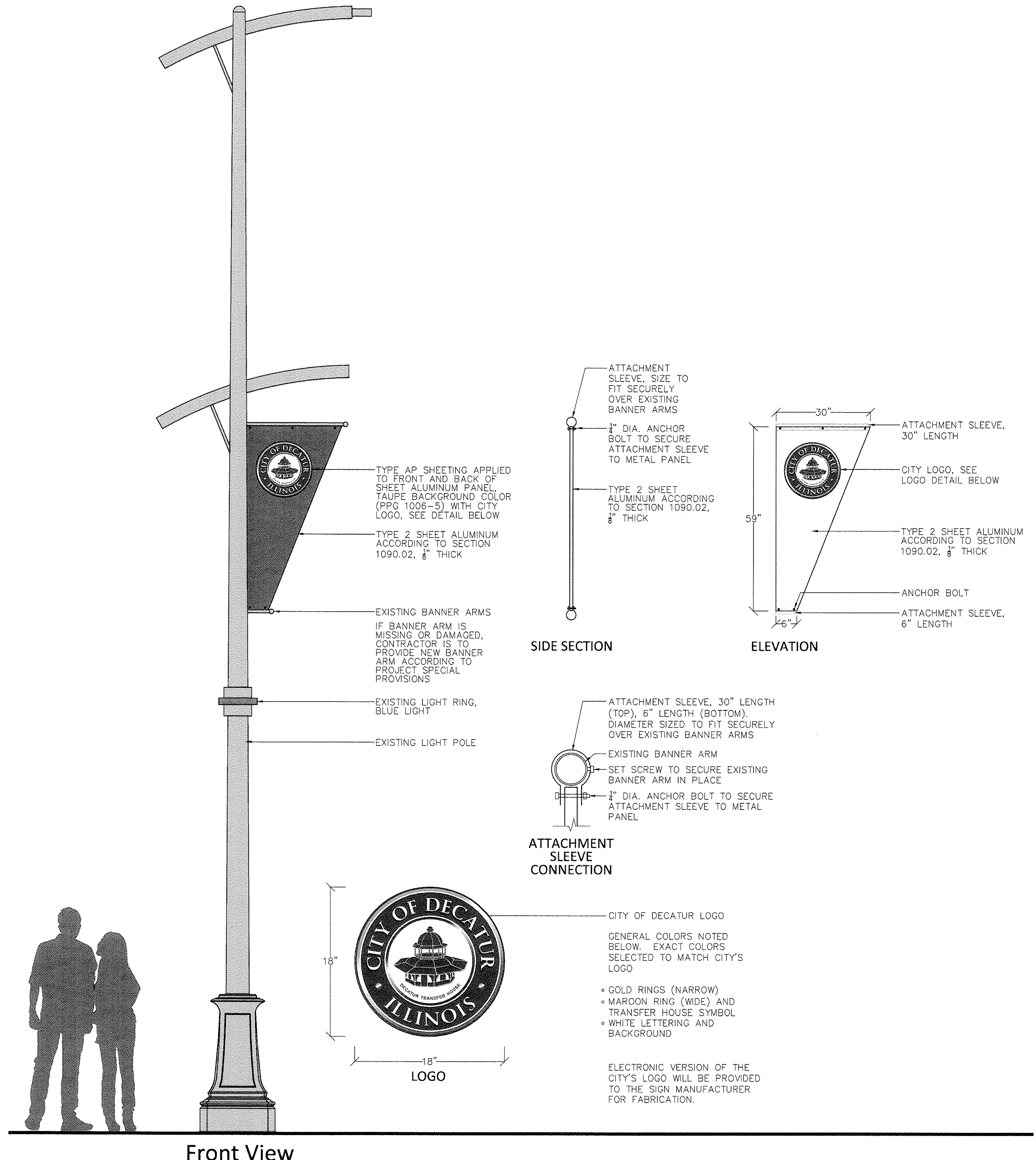


USER NAME = nbrumleve	DESIGNED -- KLM	REVISED --
PLOT SCALE = 1"=10'	DRAWN -- NFB	REVISED --
PLOT DATE = 03/24/2017	CHECKED -- KLM	REVISED --
	DATE -- 03/24/2017	REVISED --

**STATE OF ILLINOIS
DEPARTMENT OF TRANSPORTATION**

CORRIDOR MONUMENT INSTALLATION PROJECT			
CITY OF DECATUR			
ORNAMENTAL STREET SIGN - LOCATION PLAN 2			
SCALE: 1"=10'	SHEET	OF	SHEETS
	STA.	TO	STA.

F.A.P. RTE.	SECTION	COUNTY	TOTAL SHEETS	SHEET NO.
323	10-00012-00-MS	MACON	34	33
710	CONTRACT NO. 95809			
ILLINOIS FED. AID PROJECT				



Front View