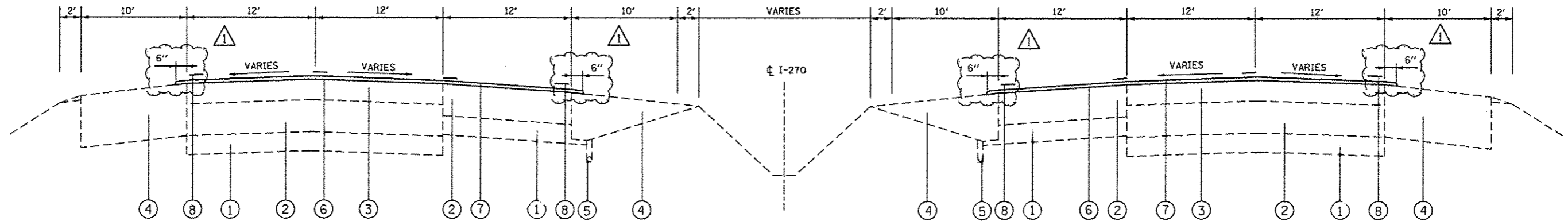


WESTBOUND  
 STA. 258+54 TO STA. 317+80  
 STA. 324+65 TO STA. 333+87  
 STA. 337+63 TO STA. 399+97  
 STA. 590+00 TO STA. 644+09  
 STA. 648760 TO STA. 686+16  
 STA. 690+00 TO STA. 793+70  
 STA. 795+82 TO STA. 839+47  
 STA. 848+05 TO STA. 852+43  
 STA. 861+00 TO STA. 885+66

EASTBOUND  
 STA. 258+56 TO STA. 317+66  
 STA. 324+52 TO STA. 334+05  
 STA. 337+78 TO STA. 399+76  
 STA. 607+50 TO STA. 644+37  
 STA. 648+81 TO STA. 685+89  
 STA. 689+72 TO STA. 794+05  
 STA. 798+40 TO STA. 857+42  
 STA. 860+67 TO STA. 871+97  
 STA. 875+58 TO STA. 880+04



WESTBOUND  
 STA. 412+30 TO STA. 415+60  
 STA. 438+89 TO STA. 522+89  
 STA. 559+16 TO STA. 587+00  
 STA. 856+00 TO STA. 858+75

EASTBOUND  
 STA. 433+16 TO STA. 492+66  
 STA. 510+96 TO STA. 533+84  
 STA. 553+95 TO STA. 607+50

LEGEND

- ① EXISTING SUB-BASE GRANULAR MATERIAL
- ② EXISTING PCC PAVEMENT, 10"
- ③ EXISTING HOT-MIX ASPHALT OVERLAY
- ④ EXISTING HOT-MIX ASPHALT SHOULDER
- ⑤ EXISTING UNDERDRAIN
- ⑥ PROPOSED BITUMINOUS MATERIALS (TACK COAT)
- ⑦ PROPOSED MICRO-SURFACING, 2-PASSES, MIX "E"
- ⑧ PROPOSED MODIFIED URETHANE PAVEMENT MARKING

△ REVISED 6-6-17

FILE NAME *	USER NAME = challandske	DESIGNED -	REVISED -	<b>STATE OF ILLINOIS DEPARTMENT OF TRANSPORTATION</b>	<b>TYPICAL SECTIONS</b>			F.A.I. RTE.	SECTION	COUNTY	TOTAL SHEETS	SHEET NO.	
Default	Documents\IDOT Offices\Dist-101 8\Projects\0875\Drawings\Road\Sheets\0875K23-shr-typoc	CHECKED -	REVISED -		SCALE: N/A	SHEET	OF	SHEETS	STA.	TO STA.	MADISON	18	5
	PLOT SCALE = 1/8" = 100.0000' / in.	DATE -	REVISED -								CONTRACT NO. 76K23		
	PLOT DATE = 6/5/2017										ILLINOIS FED. AID PROJECT		