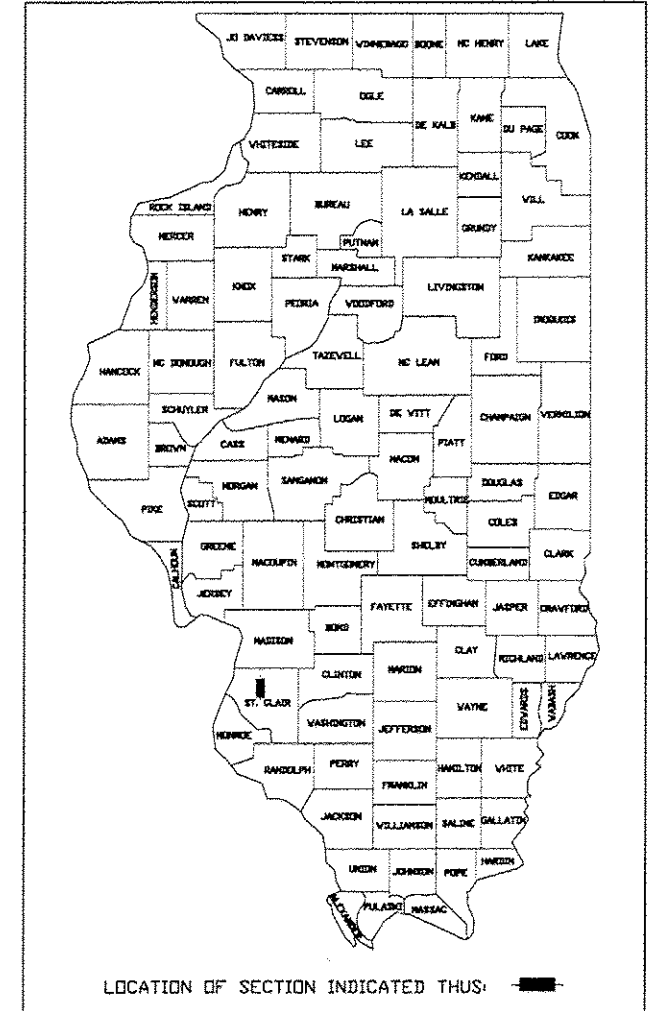


STATE OF ILLINOIS
DEPARTMENT OF TRANSPORTATION
DIVISION OF HIGHWAYS
 PLANS FOR PROPOSED FEDERAL AID PROJECT
VILLAGE OF SHILOH
 PROPOSED SHILOH STATION ROAD
 RECONSTRUCTION - PHASE 5
 FAU ROUTE 9178
 SECTION 15-00011-05-PV
 PROJECT NO. M-5011(477)
 ST. CLAIR COUNTY
 JOB NO. C-98-326-15

FAU ROUTE	IDOT SECTION	COUNTY	TOTAL SHEETS	SHEET NO.
9178	15-00011-05-PV	ST. CLAIR	28	1
FEDERAL AID PROJECT			ILLINOIS	
IDOT JOB NO. C-98-326-15				
IDOT CONTRACT NO. 97649				



SEE PG. 2 FOR SHEET INDEX

IDOT STANDARDS

000001-06	606001-06	720011-01
001001-02	701006-05	728001-01
001006	701011-04	731001-01
280001-07	701301-04	780001-05
602301-04	701311-03	781001-04
602401-03	701501-06	BLR 22-7
602701-02	701801-06	
604001-04	701901-06	
604011-05	720001-01	
604036-03	720006-04	

UTILITIES

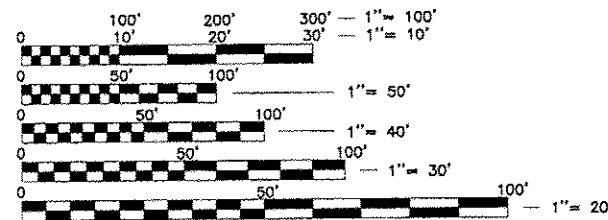
GAS/ELECTRIC
 AMEREN IP
 1050 WEST BOULEVARD
 P.O. BOX 428
 BELLEVILLE, ILLINOIS 62222

WATER
 ILLINOIS AMERICAN WATER COMPANY
 100 NORTH WATER WORKS DRIVE
 P.O. BOX 24040
 BELLEVILLE, ILLINOIS 62223

PHONE/CABLE
 AT&T
 203 GOETHE
 COLLINSVILLE, ILLINOIS 62234

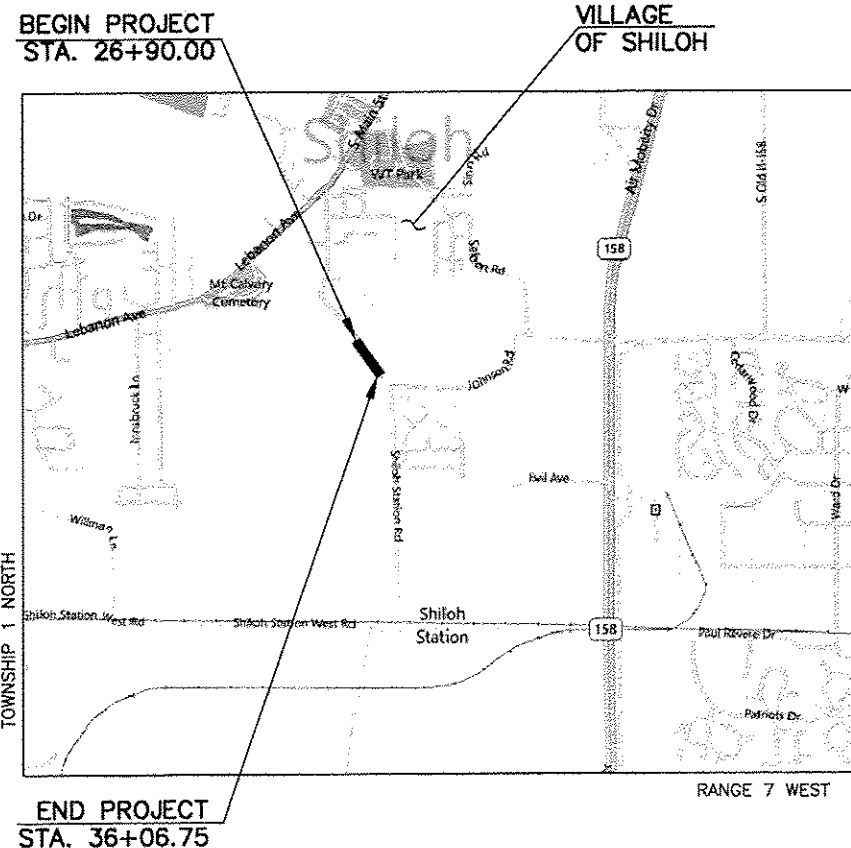
SANITARY SEWER
 VILLAGE OF SHILOH
 #1 PARK DRIVE
 SHILOH, ILLINOIS 62269

PHONE/CABLE
 CHARTER COMMUNICATIONS
 7645 MAGNA DRIVE, STE. 100
 BELLEVILLE, IL 62223



FULL SIZE PLANS HAVE BEEN PREPARED USING STANDARD ENGINEERING SCALES, REDUCED SIZED PLANS WILL NOT CONFORM TO STANDARD SCALES, IN MAKING MEASUREMENTS ON REDUCED PLANS, THE ABOVE SCALES MAY BE USED.

J.U.L.I.E.
 JOINT UTILITY LOCATION INFORMATION FOR EXCAVATION
 1-800-892-0123



LOCATION MAP
N.T.S.

SHILOH STATION ROAD DESIGN DESIGNATION:
 ROADWAY CLASSIFICATION - COLLECTOR
 URBAN DESIGN SPEED - 30 MPH
 DESIGN TRAFFIC (2031) ADT - 2,150

LENGTH OF PROJECT
 SHILOH STATION ROAD PHASE 5
 SHILOH STATION ROAD LENGTH - 916.75' (0.174 MILES)
 NET LENGTH - 916.75' (0.174 MILES)



STATE OF ILLINOIS
 DEPARTMENT OF TRANSPORTATION
 DIVISION OF HIGHWAYS

APPROVED 3/16 2017
Jan C. Van...
 MAYOR
 VILLAGE OF SHILOH

PASSED 4/12 2017
J. J. Keim
 acting DISTRICT 8 ENGINEER
 LOCAL ROADS & STREETS

RELEASED FOR BID BASED ON LIMITED REVIEW 4/12 2017
J. J. Keim
 REGION FIVE ENGINEER

PRINTED BY THE AUTHORITY OF THE STATE OF ILLINOIS

NICHOLAS T. SMOCK
 LICENSE NO. 062-062231
 EXPIRATION DATE 11-30-2017

PREPARED BY:
 THOUVENOT, WADE & MOERCHEN, INC.



CORPORATE OFFICE 4940 OLD COLLINSVILLE RD. SHANSEA, ILLINOIS 62226 TEL (618) 624-4488 FAX (618) 624-6688 WATERLOO OFFICE 113 SOUTH MAIN STREET WATERLOO, ILLINOIS 62298 TEL (618) 939-5050 FAX (618) 939-3938 EDWARDSVILLE OFFICE 800 COUNTRY CLUB VIEW, SUITE 1 EDWARDSVILLE, ILLINOIS 62025 TEL (618) 656-4040 FAX (618) 656-4343 ST. LOUIS OFFICE 720 OLIVE ST., SUITE 200A ST. LOUIS, MISSOURI 63101 TEL (314) 241-6300 FAX (314) 241-2391 ST. CHARLES OFFICE 400 N. 5TH STREET, SUITE 101 ST. CHARLES, MISSOURI 63301 TEL (636) 724-8300 FAX (636) 724-8304

Table with 2 columns: PROFESSIONAL REGISTRATIONS, LICENSE NO. Includes entries for Illinois Professional Design Firm, Professional Engineering Corp, Professional Structural Engr. Corp, Illinois Prof. Land Surveying Corp, Missouri Professional Engr. Corp, Missouri Land Surveying Corp.

SEAL Signature: _____ Signature Date: _____ Expiration Date: _____ STATEMENT OF RESPONSIBILITY I hereby confirm that the document herein to be authenticated by my seal is restricted to this sheet, and I hereby disclaim any responsibility for all other drawings, specifications, estimates, reports or other documents or instruments relating to or intended to be utilized for any other part of the architectural, engineering or survey project.

TITLE SHILOH STATION ROAD PHASE 5 GENERAL NOTES 15-00011-05-PV PROJECT SHILOH STATION ROAD RECONSTRUCTION - PHASE 5 VILLAGE OF SHILOH ST. CLAIR COUNTY, ILLINOIS

Table with 2 columns: REV, DATE, DESCRIPTION. Contains three rows with revision symbols.

Form with fields: DRAWN BY: LEM, DESIGNED BY: NTS, CHECKED BY: NTS, APPROVED BY: NTS, PROJECT NUMBER: T01150492, SHEET: 2 OF 28 SHEETS, SHILOH STATION ROAD PHASE 5. Includes checkboxes for ISSUED FOR REVIEW, ISSUED FOR BIDDING, ISSUED FOR CONSTR., RECORD DRAWING.

INDEX OF SHEETS

- 1. COVER SHEET
2. GENERAL NOTES
3. SUMMARY OF QUANTITIES
4. TYPICAL SECTIONS
5.-6. SCHEDULE OF QUANTITIES
7.-8. ROADWAY PLAN & PROFILE SHEET
9. DETOUR PLANS
10.-11. DRAINAGE PLAN & WEST PROFILE
12.-13. DRAINAGE PLAN & EAST PROFILE
14. EROSION CONTROL PLAN
15. PAVEMENT MARKING & SIGNAGE PLAN
16.-17. ENTRANCE DETAILS
18. MISCELLANEOUS DETAILS
19.-27. CROSS SECTIONS
28. R.O.W./EASEMENT LOCATION

LEGEND

Table with 2 columns: LINETYPE LEGEND, SYMBOL LEGEND. Lists various utility lines and symbols like CENTERLINE, EASEMENT, EDGE OF PAVEMENT (GRAVEL), ELECTRIC LINE (OVERHEAD), FIBER OPTIC LINE (UNDERGROUND), GAS LINE, EXISTING RIGHT-OF-WAY LINE, PROPOSED RIGHT-OF-WAY LINE, PERIMETER EROSION BARRIER, EXISTING STORM CULVERT, TREE LINE, WATER LINE, ELECTRIC GUYWIRE, ELECTRIC METER, ELECTRIC POWERPOLE, ELECTRIC RISER, FIBER OPTIC RISER, GAS RISER, GAS VALVE, GENERAL SIGN, STORM CATCH BASIN, STORM CURB INLET, STORM GRATE INLET, STORM JUNCTION BOX, TELEPHONE HANDHOLE, TELEPHONE MANHOLE, TELEPHONE RISER, TREE - DECIDUOUS, WATER - FIRE HYDRANT, WATER - GATE VALVE.

GENERAL NOTES

- 1. ANY FACILITIES OR APPURTENANCES, WHICH ARE THE PROPERTY OF ANY PUBLIC UTILITY LOCATED WITHIN THE LIMITS OF CONSTRUCTION, SHALL BE RELOCATED OR ADJUSTED BY THEIR RESPECTIVE OWNERS. THE CONTRACTOR SHALL NOTIFY AND COOPERATE WITH THE OWNERS OF ANY SUCH FACILITY IN THEIR REMOVAL AND ADJUST HIS OPERATIONS, IN ORDER THAT, THE UTILITY'S OPERATIONS AND THE CONSTRUCTION OF THIS PROJECT MAY PROGRESS IN A REASONABLE MANNER.
2. THE TYPE, SIZE, AND LOCATION OF UTILITIES, AS DELINEATED IN THESE TOPOGRAPHIC LAND SURVEY DOCUMENTS AND/OR CIVIL ENGINEERING DESIGN DOCUMENTS, HAVE BEEN DETERMINED BY REVIEW OF AVAILABLE EXISTING "AS-BUILT" OR RECORD DRAWINGS, FIELD SURVEY OF J.U.L.I.E. MARKED UTILITIES, OR FIELD SURVEY OF ABOVE GROUND SURFACE UTILITY FEATURES. THE OWNER AND ENGINEER HAVE NOT UNDERTAKEN SUBSURFACE EXPLORATORY INVESTIGATIONS TO CONFIRM OR VERIFY THE UTILITIES SHOWN ON THESE DOCUMENTS; THEREFORE THEIR EXACT LOCATION, SIZE, AND FUNCTION MUST BE CONSIDERED APPROXIMATE AND MUST BE FIELD CONFIRMED BY THE CONTRACTOR.
3. THE ENGINEER AND OWNER FURTHER DO NOT WARRANT THAT ALL UTILITIES HAVE BEEN ILLUSTRATED ON THESE DOCUMENTS. THE CONTRACTOR IS SOLELY RESPONSIBLE FOR CONTACTING J.U.L.I.E. FOR FIELD VERIFICATION OF ALL UTILITIES ON THE SITE PRIOR TO COMMENCEMENT OF CONSTRUCTION. IF THE CONTRACTOR DETERMINES THAT SUBSTANTIAL DISCREPANCY EXISTS BETWEEN FIELD VERIFIED UTILITIES AND THESE PLANS, WHICH WOULD SIGNIFICANTLY AFFECT THE FUNCTION, COST, OR PERFORMANCE OF THE PROJECT, THE CONTRACTOR SHALL IMMEDIATELY CONTACT THE ENGINEER FOR CLARIFICATION AND PROJECT DIRECTION.
4. THE CONTRACTOR SHALL CONFINE HIS OPERATIONS TO THE AREA LOCATED WITHIN THE TEMPORARY CONSTRUCTION EASEMENTS, AS SHOWN ON THE PLANS. ANY AREA DISTURBED BEYOND THESE LIMITS SHALL BE RESTORED TO ITS ORIGINAL CONDITION AT THE CONTRACTOR'S EXPENSE.
5. ALL EXISTING ROADWAY FEATURES, SUCH AS CULVERTS, HEADWALLS, RIP RAP, CURB, PAVEMENT, FENCING, ETC., LOCATED WITHIN THE CONSTRUCTION LIMITS ARE TO BE REMOVED UNLESS NOTED OTHERWISE ON THE PLANS.
6. EVERY TREE SHALL BE SAVED, IF POSSIBLE. THE ENGINEER IN THE FIELD WILL VERIFY AND MARK ALL TREES REQUIRED TO BE REMOVED. SHOULD THE ENGINEER'S DECISION INCREASE OR DECREASE THE QUANTITIES OF WORK TO BE PERFORMED FROM THE PLANS, THE CONTRACTOR SHALL ACCEPT PAYMENT AS STATED IN ARTICLE 104.03 OF THE STANDARD SPECIFICATIONS. TREES OUTSIDE THE LIMITS OF CONSTRUCTION SHALL NOT BE DISTURBED UNLESS DESIGNATED BY THE ENGINEER.
7. THE SAW CUTTING OF EXISTING PAVEMENT, NECESSARY FOR ITS REMOVAL, SHALL BE INCLUDED IN THE COST OF THE ITEM FOR WHICH THE SAW CUT IS BEING MADE. THE REMOVAL OF ALL OIL & CHIP PAVEMENT SHALL BE INCLUDED IN THE PAVEMENT REMOVAL QUANTITY. SEE SPECIAL PROVISIONS FOR ADDITIONAL INFORMATION.
8. ALL TEMPORARY AND PERMANENT EROSION CONTROL DEVICES SHALL BE IMPLEMENTED AS SHOWN ON THE EROSION CONTROL PLAN. IT IS THE CONTRACTOR'S RESPONSIBILITY TO INSURE THAT ALL EROSION AND DISPLACED SEDIMENT DOES NOT MIGRATE OFF SITE. IF UNEXPECTED EROSION OR SEDIMENTATION OCCURS, OR IF THE EROSION PLAN STRUCTURES BECOME DAMAGED, THE CONTRACTOR SHALL PROVIDE SUFFICIENT MEASURES TO REPAIR, REPLACE, OR INSTALL EROSION CONTROL STRUCTURES TO INSURE OFF-SITE DAMAGE DOES NOT OCCUR. ANY SEDIMENT OR EROSION DAMAGE WHICH OCCURS OFF-SITE SHALL BE REPAIRED BY THE CONTRACTOR AT HIS/HER EXPENSE.
9. ALL EARTH SURFACES DISTURBED BY CONSTRUCTION, OR AS DIRECTED BY THE ENGINEER, SHALL BE SEEDED AND MULCHED ACCORDING TO SECTIONS 250 AND 251 OF THE STANDARD SPECIFICATIONS FOR ROAD AND BRIDGE CONSTRUCTION. ALL TEMPORARY EROSION CONTROL SEEDING SHALL BE IMPLEMENTED ACCORDING TO SECTION 280 OF THE STANDARD SPECIFICATIONS FOR ROAD AND BRIDGE CONSTRUCTION. COST BEYOND CONSTRUCTION LIMITS IS THE RESPONSIBILITY OF CONTRACTOR.
10. ANY CULVERTS DAMAGED BY OR REMOVED BY THE CONTRACTOR, OTHER THAN THOSE NOTED ON THE PLANS TO BE REMOVED, WILL HAVE TO BE REMOVED AND/OR REPLACED AT THE CONTRACTOR'S SOLE EXPENSE.
11. ALL MATERIALS, SUCH AS FRAMES AND GRATES AND STORM SEWER PIPE SCHEDULED FOR REMOVAL, THAT ARE CONSIDERED TO BE SUITABLE FOR FUTURE USE, SHALL BE SALVAGED AND STOCKPILED AS DIRECTED BY THE ENGINEER. ALL OTHER MATERIALS SCHEDULED FOR REMOVAL, BUT NOT SALVAGED, SHALL BE DISPOSED OF BY THE CONTRACTOR AT HIS/HER EXPENSE.
12. THE CONTRACTOR IS ADVISED THAT THE PROPOSED STORM SEWER ROADWAY CROSSINGS MAY CONFLICT WITH THE PROPOSED LIME STABILIZATION OPERATIONS DUE TO MINIMAL COVER OVER THE PIPES. THE CONTRACTOR SHALL EXERCISE EXTREME CAUTION IN THESE AREAS SO AS NOT TO CAUSE ANY DAMAGE TO THE PROPOSED STORM SEWERS. THIS MAY NECESSITATE VARYING THE METHODS OF LIME STABILIZATION. NO DIRECT PAYMENT SHALL BE MADE FOR THESE ACCOMMODATIONS.
13. ALL TRAFFIC CONTROL, INCLUDING, BUT NOT LIMITED TO WORK ZONE, TEMPORARY, AND PERMANENT, SHALL BE FURNISHED, INSTALLED, MAINTAINED, RELOCATED, AND/OR REMOVED ACCORDING TO SECTION 701 OF THE LATEST EDITION OF THE IDOT STANDARD SPECIFICATIONS FOR ROAD AND BRIDGE CONSTRUCTION AND THE LATEST EDITION OF THE MANUAL ON UNIFORM TRAFFIC CONTROL DEVICES.
14. TRAFFIC CONTROL SIGNS SHALL BE 48" FLUORESCENT ORANGE.
15. THE CONTRACTOR IS RESPONSIBLE FOR CONTACTING THE VILLAGE OF SHILOH AT LEAST FORTY-EIGHT (48) HOURS IN ADVANCE PRIOR TO COMMENCEMENT OF ANY CONSTRUCTION ACTIVITIES OR WORK REQUIRING INSPECTION OR APPROVAL BY THE AFFECTED UNITS OF GOVERNMENT.
16. IT IS NOT WARRANTED THAT THESE PLANS CONTAIN COMPLETE INFORMATION REGARDING EASEMENTS, RESERVATIONS, RESTRICTIONS, RIGHTS-OF-WAY, BUILDING LINE SETBACKS, AND OTHER ENCUMBRANCES. FOR COMPLETE INFORMATION, A TITLE OPINION OR COMMITMENT FOR TITLE INSURANCE SHOULD BE OBTAINED AND THOROUGHLY REVIEWED.
17. PRIOR TO CONSTRUCTING ANY ENTRANCE, THE PROPERTY OWNER WILL BE NOTIFIED IN WRITING, INFORMING THEM OF CONSTRUCTION AND THE ESTIMATED DATES CONSTRUCTION WILL TAKE PLACE.
18. ALL GRADING, EXCAVATION AND FILL, NECESSARY TO SATISFY THE ADDITIONAL DRIVEWAY LENGTHS SHALL BE INCLUDED IN COST OF DRIVEWAY PLACEMENT TYPE. NO ADDITIONAL COST WILL BE ALLOWED.
19. ANY SUBSURFACE UTILITY WITHIN THE CONSTRUCTION LIMITS IS TO BE VERIFIED FOR ACTIVITY AND ALL ABANDONED UTILITIES ARE TO BE REMOVED. COST IS INCLUDED IN THE COST OF EARTH EXCAVATION.
20. IF ASH TREES ARE REMOVED ON THE PROJECT, THE CONTRACTOR SHALL BECOME FAMILIAR AND COMPLY WITH MEASURES SPECIFIED BY THE ILLINOIS DEPARTMENT OF AGRICULTURE (IDOA) TO PREVENT THE SPREAD OF THE EMERALD ASH BORER. THE IDOA INFORMATION FOR ASH TREE REMOVAL CAN BE FOUND ON THE IDOA WEBSITE AT WWW.AGR.STATE.IL.US/EAB.

COMMITMENTS

DUE TO POTENTIAL SUITABLE HABITAT FOR THE INDIANA BAT WITHIN THE PROJECT CORRIDOR, NO TREES ARE TO BE REMOVED BETWEEN APRIL 1ST AND SEPTEMBER 30TH OF ANY YEAR

THOUVENOT, WADE & MOERCHEN, INC.
ENGINEERS • SURVEYORS • PLANNERS



CORPORATE OFFICE
4340 OLD COLLINSVILLE RD.
SWANSEA, ILLINOIS 62226
TEL (618) 624-4488
FAX (618) 624-6688

WATERLOO OFFICE
113 SOUTH MAIN STREET
WATERLOO, ILLINOIS 62298
TEL (618) 939-5050
FAX (618) 939-3938

EDWARDSVILLE OFFICE
600 COUNTRY CLUB VIEW, SUITE 1
EDWARDSVILLE, ILLINOIS 62025
TEL (618) 656-4040
FAX (618) 656-4343

ST. LOUIS OFFICE
720 OLIVE ST., SUITE 200A
ST. LOUIS, MISSOURI 63101
TEL (314) 241-6300
FAX (314) 241-2391

ST. CHARLES OFFICE
400 N. 5TH STREET, SUITE 101
ST. CHARLES, MISSOURI 63301
TEL (636) 724-8300
FAX (636) 724-8304

PROFESSIONAL REGISTRATIONS	LICENSE NO.
ILLINOIS PROFESSIONAL DESIGN FIRM	184-001200
PROFESSIONAL ENGINEERING CORP.	62-03370
PROFESSIONAL STRUCTURAL ENGR. CORP.	61-002202
ILLINOIS PROF. LAND SURVEYING CORP.	048-000028
MISSOURI PROFESSIONAL ENGR. CORP.	NC 001528
MISSOURI LAND SURVEYING CORP.	NC 000348

SEAL

Signature: _____
Expiration Date: _____

STATEMENT OF RESPONSIBILITY
I hereby confirm that the document herein to be authenticated by my seal is restricted to this sheet, and I hereby disclaim any responsibility for all other drawings, specifications, estimates, reports or other documents or instruments relating to or intended to be utilized for any other part of the architectural, engineering or survey project.

TITLE
SHILOH STATION ROAD PHASE 5
SUMMARY OF QUANTITIES
15-00011-05-PV

PROJECT:
SHILOH STATION ROAD
RECONSTRUCTION - PHASE 5
VILLAGE OF SHILOH
ST. CLAIR COUNTY, ILLINOIS

REV	DATE	DESCRIPTION
△		
△		
△		

DRAWN BY: LEM	SHEET
DESIGNED BY: NTS	3
CHECKED BY: NTS	OF 28 SHEETS
APPROVED BY: NTS	SHILOH STATION ROAD PHASE 5
PROJECT NUMBER: T01150492	
<input checked="" type="checkbox"/> ISSUED FOR REVIEW	<input type="checkbox"/> ISSUED FOR BIDDING
<input type="checkbox"/> ISSUED FOR CONSTR.	<input type="checkbox"/> RECORD DRAWING

CODE NO.	PAY ITEM	UNIT	TOTAL QUANTITY
20100110	TREE REMOVAL (6 TO 15 UNITS DIAMETER)	UNIT	58
20100210	TREE REMOVAL (OVER 15 UNITS DIAMETER)	UNIT	444
20200100	EARTH EXCAVATION	CU YD	2275
20800150	TRENCH BACKFILL	CU YD	192
△ 25000110	SEEDING, CLASS 1A	ACRE	1
△ 25000400	NITROGEN FERTILIZER NUTRIENT	POUND	90
△ 25000500	PHOSPHORUS FERTILIZER NUTRIENT	POUND	90
△ 25000600	POTASSIUM FERTILIZER NUTRIENT	POUND	90
△ 25100115	MULCH, METHOD 2	ACRE	1
28000250	TEMPORARY EROSION CONTROL SEEDING	POUND	100
28000400	PERIMETER EROSION BARRIER	FOOT	483
28000500	INLET AND PIPE PROTECTION	EACH	12
30200650	PROCESSING MODIFIED SOIL 12"	SQ YD	3237
30201500	LIME	TON	62
35101600	AGGREGATE BASE COURSE, TYPE B 4"	SQ YD	1050
35102000	AGGREGATE BASE COURSE, TYPE B 8"	SQ YD	289
40200500	AGGREGATE SURFACE COURSE, TYPE A 6"	SQ YD	62
40201000	AGGREGATE FOR TEMPORARY ACCESS	TON	230
40600290	BITUMINOUS MATERIALS (TACK COAT)	POUND	1556
40603085	HOT-MIX ASPHALT BINDER COURSE, IL-19.0, N70	TON	1185
40603315	HOT-MIX ASPHALT SURFACE COURSE, MIX "C", N70	TON	279
40800050	INCIDENTAL HOT-MIX ASPHALT SURFACING	TON	50
42300200	PORTLAND CEMENT CONCRETE DRIVEWAY PAVEMENT, 6 INCH	SQ YD	345
42400100	PORTLAND CEMENT CONCRETE SIDEWALK 4 INCH	SQ FT	9453
44000100	PAVEMENT REMOVAL	SQ YD	2183

CODE NO.	PAY ITEM	UNIT	TOTAL QUANTITY
44000200	DRIVEWAY PAVEMENT REMOVAL	SQ YD	546
48101620	AGGREGATE SHOULDERS, TYPE B 10"	SQ YD	23
50105220	PIPE CULVERT REMOVAL	FOOT	186
550A2320	STORM SEWERS, RUBBER GASKET, CLASS A, TYPE 1 12"	FOOT	359
550A2330	STORM SEWERS, RUBBER GASKET, CLASS A, TYPE 1 15"	FOOT	375
550B2330	STORM SEWERS, RUBBER GASKET, CLASS B, TYPE 1 15"	FOOT	81
60219000	MANHOLES, TYPE A, 4'-DIAMETER, TYPE B GRATE	EACH	1
60219570	MANHOLES, TYPE A, 4'-DIAMETER, TYPE 3V FRAME AND GRATE	EACH	4
60236200	INLETS, TYPE A, TYPE B GRATE	EACH	1
60604400	COMBINATION CONCRETE CURB AND GUTTER, TYPE B-6.18	FOOT	1720
67100100	MOBILIZATION	LSUM	1
70300100	SHORT TERM PAVEMENT MARKING	FOOT	92
70300220	TEMPORARY PAVEMENT MARKING - LINE 4"	FOOT	1824
72800100	TELESCOPING STEEL SIGN SUPPORT	FOOT	60
△ 78000200	THERMOPLASTIC PAVEMENT MARKING - LINE 4"	FOOT	1824
△ 78100100	RAISED REFLECTIVE PAVEMENT MARKER	EACH	11
X0325299	INLET MODIFICATION	EACH	2
△ X0327618	LANDSCAPING, SPECIAL	LSUM	1
X5510100	STORM SEWER REMOVAL	FOOT	111
X6020074	INLETS, TYPE A, TYPE 3V FRAME AND GRATE	EACH	3
X7010216	TRAFFIC CONTROL AND PROTECTION, (SPECIAL)	LSUM	1
XX003140	SHORT-TERM PAVEMENT MARKING REMOVAL	FOOT	31
XX005431	LOCATING UNDERGROUND UTILITY	EACH	10
XX006119	TRAFFIC CONTROL AND PROTECTION (DETOUR)	LSUM	1

△ SPECIALTY ITEM

* SEE PROJECT SPECIAL PROVISIONS

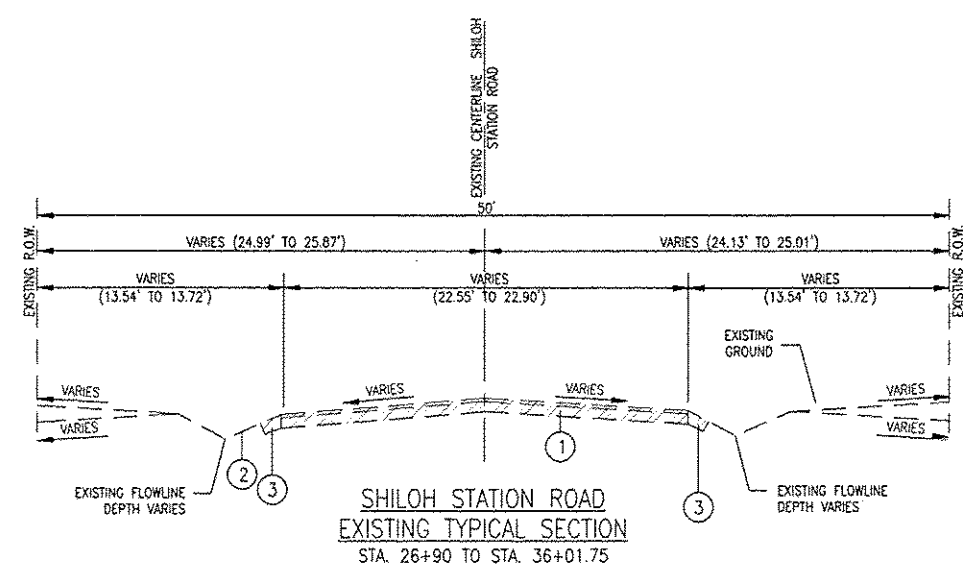
THOUVENOT, WADE & MOERCHEN, INC.
ENGINEERS ♦ SURVEYORS ♦ PLANNERS



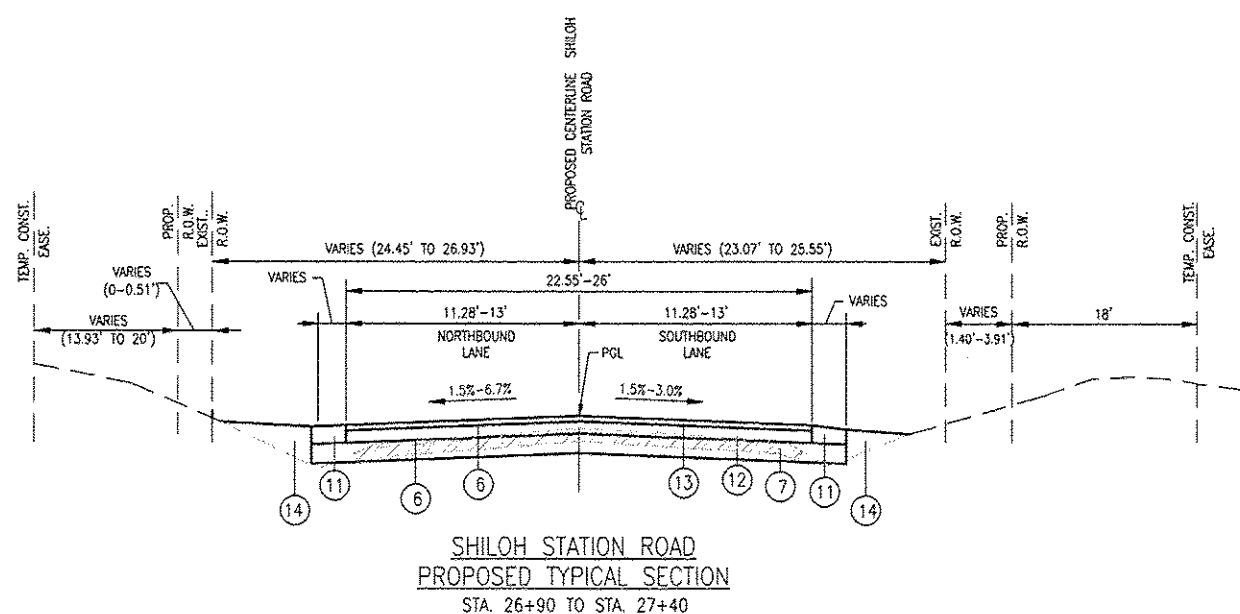
- CORPORATE OFFICE**
4940 OLD COLLINSVILLE RD.
SWANSEA, ILLINOIS 62226
TEL (618) 624-4488
FAX (618) 624-6688
- WATERLOO OFFICE**
113 SOUTH MAIN STREET
WATERLOO, ILLINOIS 62298
TEL (618) 939-5050
FAX (618) 939-3938
- EDWARDSVILLE OFFICE**
600 COUNTRY CLUB VIEW, SUITE 1
EDWARDSVILLE, ILLINOIS 62025
TEL (618) 656-4040
FAX (618) 656-4343
- ST. LOUIS OFFICE**
720 OLIVE ST., SUITE 200A
ST. LOUIS, MISSOURI 63101
TEL (314) 241-6300
FAX (314) 241-2391
- ST. CHARLES OFFICE**
400 N. 5TH STREET, SUITE 101
ST. CHARLES, MISSOURI 63301
TEL (636) 724-8300
FAX (636) 724-8304

PROFESSIONAL REGISTRATIONS	LICENSE NO.
ILLINOIS PROFESSIONAL DESIGN FIRM	184-001220
PROFESSIONAL ENGINEERING CORP.	62-035370
PROFESSIONAL STRUCTURAL ENGR. CORP.	81-008202
ILLINOIS PRF. LAND SURVEYING CORP.	048-000029
MISSOURI PROFESSIONAL ENGR. CORP.	NC 601528
MISSOURI LAND SURVEYING CORP.	NC 000346

Signature: _____
Signature Date: _____
STATEMENT OF RESPONSIBILITY
I hereby confirm that the document herein to be authenticated by my seal is restricted to this sheet, and I hereby disclaim any responsibility for all other drawings, specifications, estimates, reports or other documents or instruments relating to or intended to be utilized for any other part of the architectural, engineering or survey project.

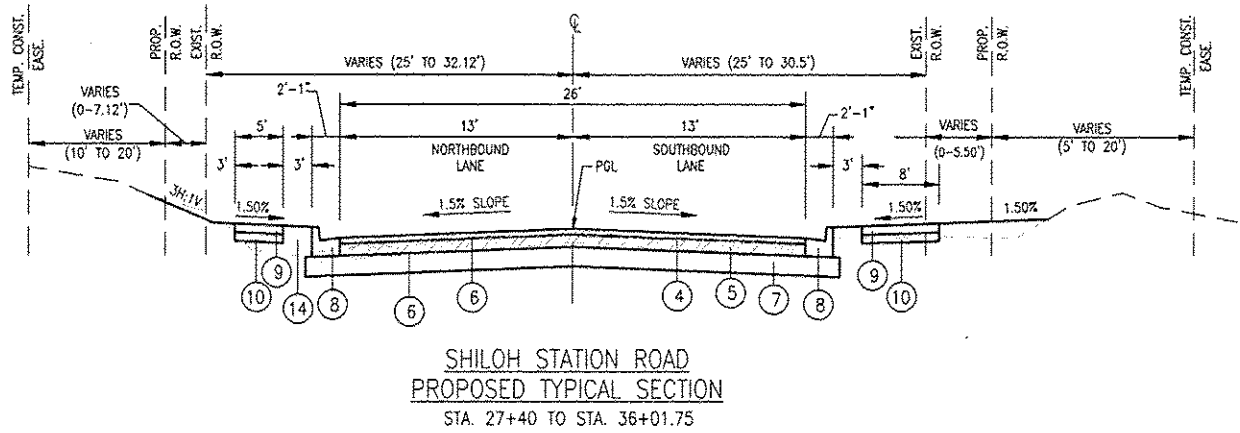


ITEM ① INCLUDED IN COST OF PAVEMENT REMOVAL



- LEGEND**
- ① EXISTING PAVEMENT (ASSUMED 6" THICKNESS)
 - ② EXISTING GROUND
 - ③ EXISTING GRAVEL SHOULDERS
 - ④ PROPOSED HOT-MIX ASPHALT SURFACE COURSE, MIX C, N70, 2"
 - ⑤ PROPOSED HOT-MIX ASPHALT BINDER COURSE, IL19.0, N70, B 1/2"
 - ⑥ PROPOSED BITUMINOUS MATERIALS-TACK COAT
 - ⑦ PROPOSED PROCESSING MODIFIED SOIL, 12" (MINIMUM 1' OUTSIDE BACK OF CURB)
 - ⑧ PROPOSED COMBINATION CONCRETE CURB & GUTTER, TYPE B-6.18
 - ⑨ PROPOSED PORTLAND CEMENT CONCRETE SIDEWALK, 4"
 - ⑩ PROPOSED AGGREGATE BASE COURSE, TYPE B, 4"
 - ⑪ PROPOSED AGGREGATE SHOULDERS, TYPE B, 11"
 - ⑫ PROPOSED AGGREGATE BASE COURSE, TYPE B, 8"
 - ⑬ PROPOSED INCIDENTAL HMA SURFACING, 3"
 - ▨ HATCHED AREA INDICATES ITEM TO BE REMOVED

MIXTURE USE	SURFACE (4)	BINDER (5)	INCIDENTAL SURFACE (12)
AC/PG	PG 64-22	PG 64-22	PG 64-22
RAP % (MAX)	SEE SPECIAL PROVISIONS		
DESIGN AIR VOIDS	4.0% @ Ndes=70	4.0% @ Ndes=70	4.0% @ Ndes=70
MIX COMPOSITION (GRADATION MIXTURE)	IL 19.0		
FRICTION ACC	MIXTURE C	MIXTURE B	MIXTURE C



TITLE SHILOH STATION ROAD PHASE 5 TYPICAL SECTIONS 15-00011-05-PV
PROJECT SHILOH STATION ROAD RECONSTRUCTION - PHASE 5 VILLAGE OF SHILOH ST. CLAIR COUNTY, ILLINOIS

REV.	DATE	DESCRIPTION
△		
△		
△		

DRAWN BY	DESIGNED BY	CHECKED BY	APPROVED BY	PROJECT NUMBER	SHEET
LEM	NTS	NTS	NTS	SHILOH STATION ROAD PHASE 5	4
					OF 28 SHEETS
					ISSUED FOR REVIEW
					ISSUED FOR CONSTR.
					RECORD DRAWING

THOUVENOT, WADE & MOERCHEN, INC.
ENGINEERS ♦ SURVEYORS ♦ PLANNERS



- CORPORATE OFFICE**
4840 OLD COLLINSVILLE RD.
SWANSEA, ILLINOIS 62226
TEL (618) 624-4488
FAX (618) 624-6688
- WATERLOO OFFICE**
113 SOUTH MAIN STREET
WATERLOO, ILLINOIS 62298
TEL (618) 939-5050
FAX (618) 939-3938
- EDWARDSVILLE OFFICE**
600 COUNTRY CLUB VIEW, SUITE 1
EDWARDSVILLE, ILLINOIS 62025
TEL (618) 656-4040
FAX (618) 656-4343
- ST. LOUIS OFFICE**
720 OLIVE ST., SUITE 200A
ST. LOUIS, MISSOURI 63101
TEL (314) 241-6300
FAX (314) 241-2391
- ST. CHARLES OFFICE**
400 N. 5TH STREET, SUITE 101
ST. CHARLES, MISSOURI 63301
TEL (636) 724-8300
FAX (636) 724-8304

PROFESSIONAL REGISTRATIONS	LICENSE NO.
ILLINOIS PROFESSIONAL DESIGN FIRM	184-001220
PROFESSIONAL ENGINEERING CORP.	62-033370
PROFESSIONAL STRUCTURAL ENGR. CORP.	61-053202
ILLINOIS PROF. LAND SURVEYING CORP.	048-000029
MISSOURI PROFESSIONAL ENGR. CORP.	NC 001528
MISSOURI LAND SURVEYING CORP.	NC 000348

SEAL

Signature: _____
Expiration Date: _____

STATEMENT OF RESPONSIBILITY
I hereby confirm that the document herein to be authenticated by my seal is restricted to this sheet, and I hereby disclaim any responsibility for all other drawings, specifications, estimates, reports or other documents or instruments relating to or intended to be utilized for any other part of the architectural, engineering or survey project.

FROM LOCATION STATION, DIRECTION	TO LOCATION STATION, DIRECTION	TEMPORARY EROSION CONTROL SEEDING (LBS)	PERIMETER EROSION BARRIER (FOOT)	INLET & PIPE PROTECTION (EACH)	SEEDING CLASS 1A (ACRES)	NITROGEN FERTILIZER NUTRIENT (LBS)	PHOSPHOROUS FERTILIZER NUTRIENT (LBS)	POTASSIUM FERTILIZER NUTRIENT (LBS)	MULCH METHOD 2 (ACRES)
26+74 RT	27+67 RT		92						
26+90	36+05	100			1.00	90	90	90	1.00
27+21.47 LT				1					
27+21.49 RT				1					
29+06.55 LT				1					
29+06.57 LT				1					
29+49 RT	29+69 RT		20						
29+80 RT	32+14 RT		234						
30+81.65 LT				1					
30+81.65 RT				1					
30+94.27 RT				1					
32+36 RT	32+75 RT		39						
33+11.94 LT				1					
33+11.94 RT				1					
34+86.94 LT				1					
34+86.94 RT				1					
35+31 RT	36+29 RT		98						
39+54.67 RT				1					
TOTAL		100	483	12	1	90	90	90	1

FROM LOCATION STATION, DIRECTION	TO LOCATION STATION, DIRECTION	TREE REMOVAL 6 TO 15 (UNIT)	TREE REMOVAL OVER 15 (UNIT)	PAVEMENT REMOVAL (SQ YD)	DRIVEWAY PAVEMENT REMOVAL (SQ YD)	PIPE CULVERT REMOVAL (FOOT)	STORM SEWER REMOVAL (FOOT)	SHORT TERM PAVEMENT MARKING REMOVAL (SQ FT)
26+90.00	36+01.75			2183				31
27+50 LT	27+71 LT					21		
27+52 RT	27+89 RT		48					
27+60.76 LT					46			
27+73.32 RT					38			
28+97 LT	29+39 LT	12	72				63	
29+28 RT	29+91 RT							
29+43.77 RT					21			
29+75.64 RT					45			
29+87 LT	31+24 LT	24	170					
30+19 LT	30+44 LT					25		
30+30.37 LT								
30+82 LT	30+94 RT						100	
31+80.96 LT					49			
32+23.91 RT					72			
33+12 LT	33+42 LT					30		
33+30.17 LT								
33+52 LT	34+25 LT	22	154					
34+58.71 LT					37			
34+77 RT						47		
34+91.43 RT					39			
35+12.98 RT					76			
35+43 LT	35+54 LT						11	
TOTAL		58	444	2183	546	186	111	31

LOCATION STATION, DIRECTION	ENTRANCE TYPE	"L" ADJUSTMENT LENGTH OF DRIVE BEHIND ENTRANCE APRON (FEET)	AGGREGATE BASE COURSE TYPE B - 8" (SQ YD)	AGGREGATE TEMPORARY ACCESS (TON)	AGGREGATE SURFACE COURSE, TYPE A 6" (SQ YD)	INCIDENTAL HOT-MIX ASPHALT SURFACING (TON)	PORTLAND CEMENT CONCRETE DRIVEWAY PAVEMENT 6" (SQ YD)
26+90.00 - 27+40.00	BEGINNING JOINT		134.8			22.7	
27+60.76 LT	P.E.	25.0	34.4			5.8	16.1
27+73.32 RT	P.E.	14.5	22.2			3.7	29.6
29+43.77 RT	P.E.	7.5	9.3			1.6	26.1
29+75.64 RT	P.E.	18.0	25.1			4.2	29.7
30+30.37 LT	P.E.	13.1	26.8			4.5	22.1
31+90.96 LT	P.E.	13.0	18.6			3.1	19.2
32+23.91 RT	P.E.	9.2			26.0		47.7
33+30.17 LT	P.E.	26.5			5.4		63.2
34+58.71 LT	P.E.	12.7	18.0			3.0	19.7
34+91.43 RT	P.E.	8.9					31.9
35+12.98 RT	P.E.	9.8			30.9		39.4
36+01.75 - 36+06.75	END JOINT					1.6	
AS NEEDED	N/A			230			
TOTAL			289	230	62	50	345

FROM LOCATION STATION, DIRECTION	TO LOCATION STATION, DIRECTION	TYPE	THERMOPLASTIC PAVEMENT MARKING - LINE 4" (FOOT)	TEMPORARY PAVEMENT MARKING - LINE 4" (FOOT)	SHORT TERM PAVEMENT MARKING (FOOT)	RAISED REFLECTIVE PAVEMENT MARKERS (EACH)	TELESCOPING STEEL SIGN SUPPORT (FOOT)
26+90.00	36+01.75	DOUBLE YELLOW	1824	1824	92		
27+40	36+01.75	TWO WAY AMBER				11	15
29+94							15
32+56							30
36+00							60
TOTAL			1824	1824	92	11	60

SHILOH STATION ROAD PHASE 5 SCHEDULES 15-00011-05-PV

SHILOH STATION ROAD RECONSTRUCTION - PHASE 5 VILLAGE OF SHILOH ST. CLAIR COUNTY, ILLINOIS

REV#	DATE	DESCRIPTION
△		
△		
△		

DRAWN BY: LEM	SHEET
DESIGNED BY: NTS	5
CHECKED BY: NTS	OF 28 SHEETS
APPROVED BY: NTS	SHILOH STATION ROAD PHASE 5
PROJECT NUMBER: T01150492	
ISSUED FOR REVIEW	ISSUED FOR BIDDING
ISSUED FOR CONSTR.	RECORD DRAWING

THOUVENOT, WADE & MOERCHEN, INC.
ENGINEERS ♦ SURVEYORS ♦ PLANNERS



- CORPORATE OFFICE**
4940 OLD COLLINSVILLE RD.
SWANSEA, ILLINOIS 62226
TEL (618) 624-4488
FAX (618) 624-6688
- WATERLOO OFFICE**
113 SOUTH MAIN STREET
WATERLOO, ILLINOIS 62298
TEL (618) 939-5050
FAX (618) 939-3938
- EDWARDSVILLE OFFICE**
600 COUNTRY CLUB VIEW, SUITE 1
EDWARDSVILLE, ILLINOIS 62025
TEL (618) 656-4040
FAX (618) 656-4343
- ST. LOUIS OFFICE**
720 OLIVE ST., SUITE 208A
ST. LOUIS, MISSOURI 63101
TEL (314) 241-6300
FAX (314) 241-2391
- ST. CHARLES OFFICE**
400 N. 5TH STREET, SUITE 101
ST. CHARLES, MISSOURI 63301
TEL (636) 724-8300
FAX (636) 724-8304

PROFESSIONAL REGISTRATIONS	LICENSE NO.
ILLINOIS PROFESSIONAL DESIGN FIRM	194-001220
PROFESSIONAL ENGINEERING CORP.	62-053370
PROFESSIONAL STRUCTURAL ENGR. CORP.	81-000202
ILLINOIS PROF. LAND SURVEYING CORP.	048-000029
MISSOURI PROFESSIONAL ENGR. CORP.	NC 001520
MISSOURI LAND SURVEYING CORP.	NC 000346

SEAL

Signature: _____
 Date: _____

STATEMENT OF RESPONSIBILITY
 I hereby confirm that the document herein to be authenticated by my seal is restricted to this sheet, and I hereby disclaim any responsibility for all other drawings, specifications, estimates, reports or other documents or instruments relating to or intended to be utilized for any other part of the architectural, engineering or survey project.

EARTHWORK SCHEDULE					
FROM LOCATION STATION	TO LOCATION STATION	EARTH EXCAVATION (CY)	EMBANKMENT (CY)	EARTH EXCAVATION ADJUSTED FOR 25% SHRINKAGE (CY)	BALANCE WASTE (+) SHORTAGE (-) (CY)
NOTE: PAVEMENT THICKNESS ASSUMED TO BE 6" (NOT INCLUDED IN EARTHWORK QUANTITIES)					
26+90	36+01.75	2275	610	1513	763
TOTALS		1240			0
TOTAL EARTH EXCAVATION		1240	TOTAL FURNISHED EXCAVATION		

STORM SEWER AND DRAINAGE STRUCTURES										
FROM LOCATION STATION, DIRECTION	TO LOCATION STATION, DIRECTION	STORM SEWERS RUBBER GASKET CLASS A, TYPE 1 - 12" (FOOT)	STORM SEWERS RUBBER GASKET CLASS A, TYPE 1 - 15" (FOOT)	STORM SEWERS RUBBER GASKET CLASS B, TYPE 1 - 15" (FOOT)	MANHOLES TYPE A 4' DIAMETER TYPE 3V FRAME AND GRATE (EACH)	MANHOLES TYPE A 4' DIAMETER TYPE B GRATE (EACH)	INLETS TYPE A TYPE B GRATE (EACH)	INLETS TYPE A TYPE 3V FRAME AND GRATE (EACH)	INLET MODIFICATION (EACH)	TRENCH BACKFILL (CY)
27+06.49 RT	27+21.49 RT		15							2.6
27+21.47 LT							1			
27+21.47 LT	27+21.49 RT	29								4.1
27+21.49 RT						1				
27+21.49 RT	29+06.56 RT		185							35.5
29+06.56 RT					1					
29+06.56 RT	29+06.57 LT	29								4.2
29+06.57 LT								1		
29+06.56 RT	30+81.65 RT		175							112.5
30+81.65 RT					1					
30+81.65 RT	30+81.65 LT	29								4.2
30+81.65 LT								1		
30+81.65 RT	30+94.27 RT			81						
33+11.94 RT								1		
33+11.94 RT	33+11.94 LT	29								1.9
33+11.94 LT					1					
33+11.94 LT	34+86.94 LT	175								17.1
34+86.94 LT					1					
34+86.94 LT	35+54.54 LT	68								10.4
35+54.54 LT									1	
35+54.67 RT									1	
TOTAL		359	375	81	4	1	1	3	2	192

PAVING AND SIDEWALK SCHEDULE										
FROM LOCATION STATION, DIRECTION	TO LOCATION STATION, DIRECTION	PROCESING MODIFIED SOILS (SQ YD)	LIME (TON)	AGGREGATE BASE COURSE TYPE B - 4" (SQ YD)	HOT - MIX ASPHALT BINDER COURSE 1L - 19.0, N 70 (TON)	HOT - MIX ASPHALT SURFACE COURSE MIX "C", N 70 (TON)	BITUMINOUS MATERIALS (TACK COAT) (POUND)	PORTLAND CEMENT CONCRETE SIDEWALK - 4" (SQ FT)	COMBINATION CONCRETE CURB & GUTTER TYPE B - 6.18 (FOOT)	AGGREGATE SHOULDERS TYPE B 10" (SQ YD)
26+90.00	27+40.00									23.1
26+90.00	36+01.75	3237.1	62.3				1556.0		1720.0	
27+40.00	36+01.75				1185.1	278.8				
27+40.18 RT	27+62.26 RT			19.5				175.9		
27+68.78 LT	30+18.94 LT			139.6				1256.0		
27+84.38 RT	29+34.13 RT			132.5				1192.7		
29+53.42 RT	29+64.52 RT			9.8				88.3		
29+86.77 RT	32+04.87 RT			193.0				1737.0		
30+41.80 LT	31+82.03 LT			78.2				704.0		
32+01.66 LT	33+20.25 LT			65.9				593.2		
32+41.77 RT	34+81.99 RT			213.5				1921.7		
33+40.08 LT	34+48.39 LT			60.2				541.5		
34+68.66 LT	36+01.95 LT			74.1				666.5		
35+29.75 RT	36+01.72 RT			64.0				575.7		
TOTAL		3237	62	1050	1185	279	1556	9453	1720	23

TITLE: **SHILOH STATION ROAD PHASE 5 SCHEDULES**
 15-00011-05-PV

PROJECT: **SHILOH STATION ROAD RECONSTRUCTION - PHASE 5 VILLAGE OF SHILOH ST. CLAIR COUNTY, ILLINOIS**

REV	DATE	DESCRIPTION
△		
△		
△		

DRAWN BY: LEM	SHEET
DESIGNED BY: NTS	6
CHECKED BY: NTS	OF 28 SHEETS
APPROVED BY: NTS	SHILOH STATION ROAD PHASE 5
PROJECT NUMBER: T01150492	
<input checked="" type="checkbox"/> ISSUED FOR REVIEW	<input type="checkbox"/> ISSUED FOR BIDDING
<input type="checkbox"/> ISSUED FOR CONSTR.	<input type="checkbox"/> RECORD DRAWING

THOUVENOT, WADE & MOERCHEN, INC.
ENGINEERS • SURVEYORS • PLANNERS



- CORPORATE OFFICE**
4940 OLD COLLINSVILLE RD.
SWANSEA, ILLINOIS 62226
TEL (618) 624-4488
FAX (618) 624-6688
- WATERLOO OFFICE**
113 SOUTH MAIN STREET
WATERLOO, ILLINOIS 62298
TEL (618) 939-5050
FAX (618) 939-3938
- EDWARDSVILLE OFFICE**
600 COUNTRY CLUB VIEW, SUITE 1
EDWARDSVILLE, ILLINOIS 62025
TEL (618) 656-4040
FAX (618) 656-4343
- ST. LOUIS OFFICE**
720 OLIVE ST., SUITE 200A
ST. LOUIS, MISSOURI 63101
TEL (314) 241-6300
FAX (314) 241-2391
- ST. CHARLES OFFICE**
400 N. 5TH STREET, SUITE 101
ST. CHARLES, MISSOURI 63301
TEL (636) 724-8300
FAX (636) 724-8304

PROFESSIONAL REGISTRATIONS	LICENSE NO.
ILLINOIS PROFESSIONAL DESIGN FIRM	184-001226
PROFESSIONAL ENGINEERING CORP.	62-035370
PROFESSIONAL STRUCTURAL ENGR. CORP.	81-005102
ILLINOIS PROF. LAND SURVEYING CORP.	048-000029
MISSOURI PROFESSIONAL ENGR. CORP.	MC 001528
MISSOURI LAND SURVEYING CORP.	MC 000346

SEAL

Signature: _____
 Signature Date: _____
 Expiration Date: _____

STATEMENT OF RESPONSIBILITY
 I hereby confirm that the document herein to be authenticated by my seal is restricted to this sheet, and I hereby disclaim any responsibility for all other drawings, specifications, estimates, reports or other documents or instruments relating to or intended to be utilized for any other part of the architectural, engineering or survey project.

TITLE: SHILOH STATION ROAD PHASE 5
PLAN AND PROFILE
15-00011-05-PV

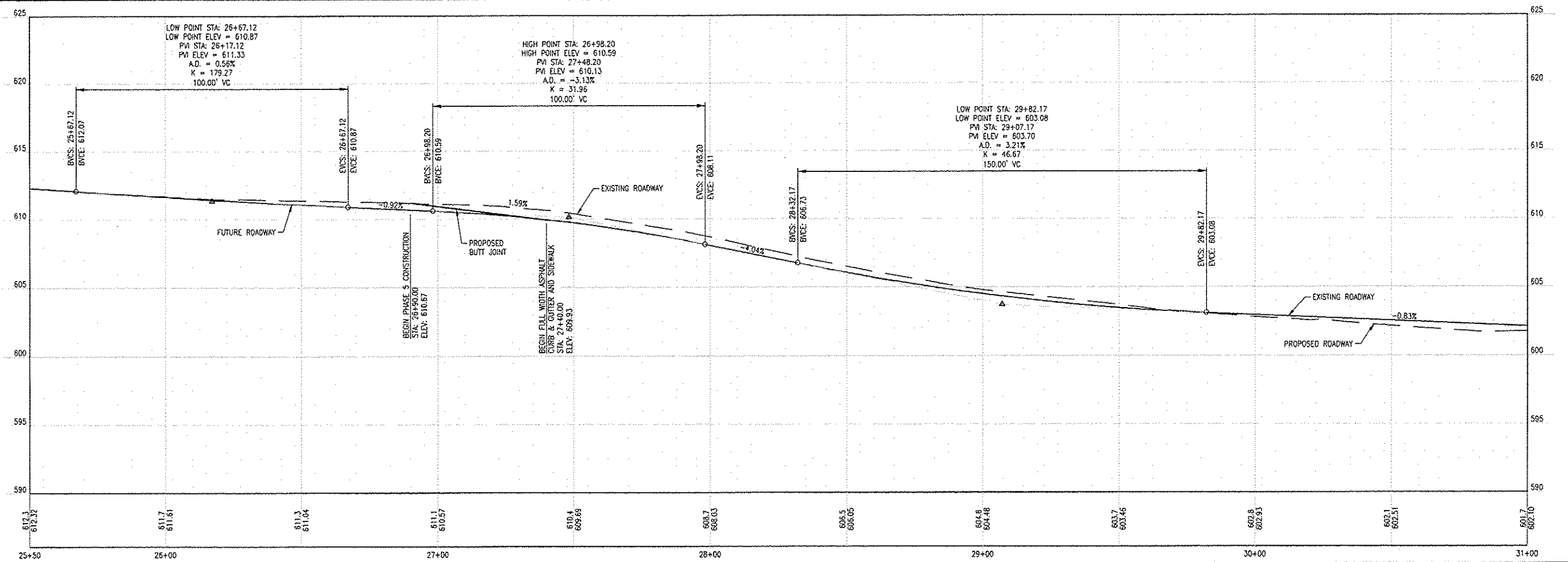
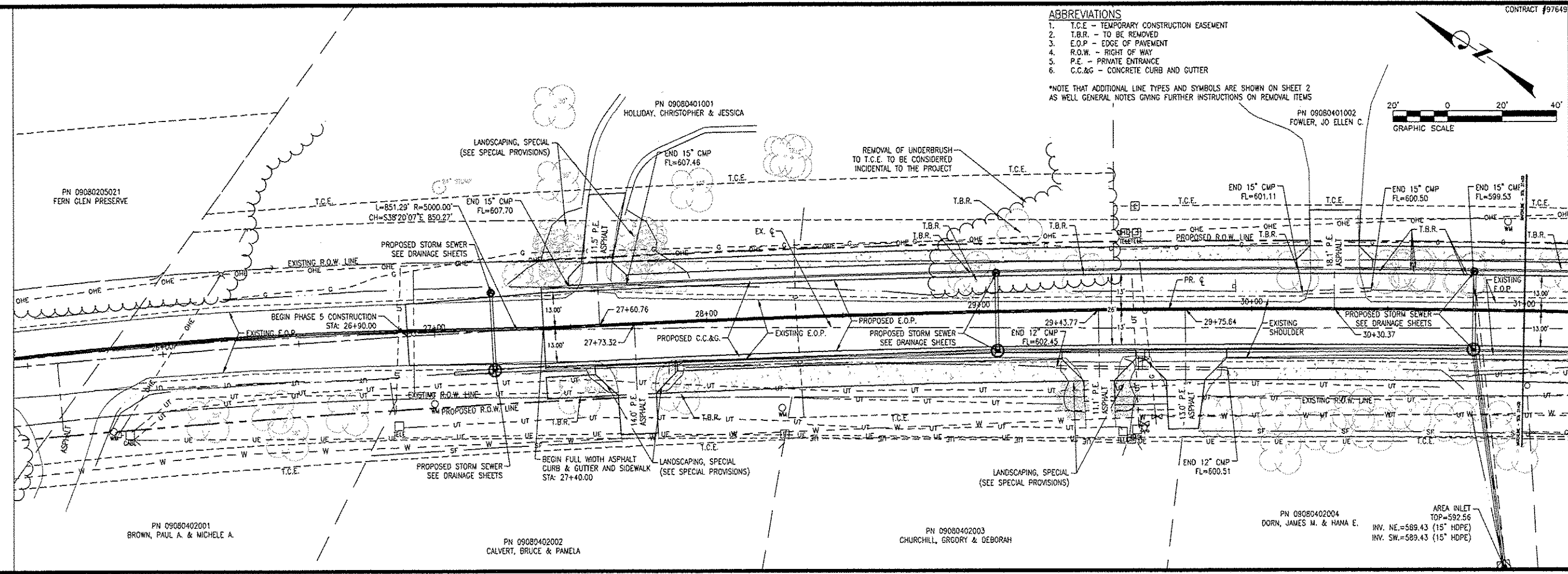
PROJECT: SHILOH STATION ROAD RECONSTRUCTION - PHASE 5
VILLAGE OF SHILOH
ST. CLAIR COUNTY, ILLINOIS

REV.	DATE	DESCRIPTION
△		
△		
△		

DRAWN BY: LEM	SHEET
DESIGNED BY: NTS	7
CHECKED BY: NTS	OF 28 SHEETS
APPROVED BY: NTS	
PROJECT NUMBER: T01150492	SHILOH STATION ROAD PHASE 5
<input checked="" type="checkbox"/> ISSUED FOR REVIEW	<input type="checkbox"/> ISSUED FOR BIDDING
<input type="checkbox"/> ISSUED FOR CONSTR.	<input type="checkbox"/> RECORD DRAWINGS

- ABBREVIATIONS**
1. T.C.E. - TEMPORARY CONSTRUCTION EASEMENT
 2. T.B.R. - TO BE REMOVED
 3. E.O.P. - EDGE OF PAVEMENT
 4. R.O.W. - RIGHT OF WAY
 5. P.E. - PRIVATE ENTRANCE
 6. C.C.&G. - CONCRETE CURB AND GUTTER

*NOTE THAT ADDITIONAL LINE TYPES AND SYMBOLS ARE SHOWN ON SHEET 2 AS WELL GENERAL NOTES GIVING FURTHER INSTRUCTIONS ON REMOVAL ITEMS



P:\150492\15-00011-05-PV.dwg
 Plotted By: samuel 4/27/2017 11:12am



- ☒ **CORPORATE OFFICE**
4940 OLD COLLINSVILLE RD.
SWANSEA, ILLINOIS 62226
TEL (618) 824-4488
FAX (618) 824-8688
- ☐ **WATERLOO OFFICE**
113 SOUTH MAIN STREET
WATERLOO, ILLINOIS 62298
TEL (618) 939-5050
FAX (618) 939-3938
- ☐ **EDWARDSVILLE OFFICE**
600 COUNTRY CLUB VIEW, SUITE 1
EDWARDSVILLE, ILLINOIS 62025
TEL (618) 656-4040
FAX (618) 656-4343
- ☐ **ST. LOUIS OFFICE**
720 OLIVE ST., SUITE 200A
ST. LOUIS, MISSOURI 63101
TEL (314) 241-8300
FAX (314) 241-2391
- ☐ **ST. CHARLES OFFICE**
400 N. 5TH STREET, SUITE 101
ST. CHARLES, MISSOURI 63301
TEL (636) 724-8300
FAX (636) 724-8304

PROFESSIONAL REGISTRATIONS	LICENSE NO.
ILLINOIS PROFESSIONAL DESIGN FIRM	184-001220
PROFESSIONAL ENGINEERING CORP.	62-035370
PROFESSIONAL STRUCTURAL ENGR. CORP.	61-005202
ILLINOIS PROF. LAND SURVEYING CORP.	049-000029
MISSOURI PROFESSIONAL ENGR. CORP.	NC 001528
MISSOURI LAND SURVEYING CORP.	NC 000348

Signature: _____
Signature Date: _____
Expiration Date: _____

STATEMENT OF RESPONSIBILITY
I hereby confirm that the document herein to be authenticated by my seal is restricted to this sheet, and I hereby disclaim any responsibility for all other drawings, specifications, estimates, reports or other documents or instruments relating to or intended to be utilized for any other part of the architectural, engineering or survey project.

TITLE: SHILOH STATION ROAD PHASE 5 PLAN AND PROFILE
PROJECT: SHILOH STATION ROAD RECONSTRUCTION - PHASE 5 VILLAGE OF SHILOH ST. CLAIR COUNTY, ILLINOIS

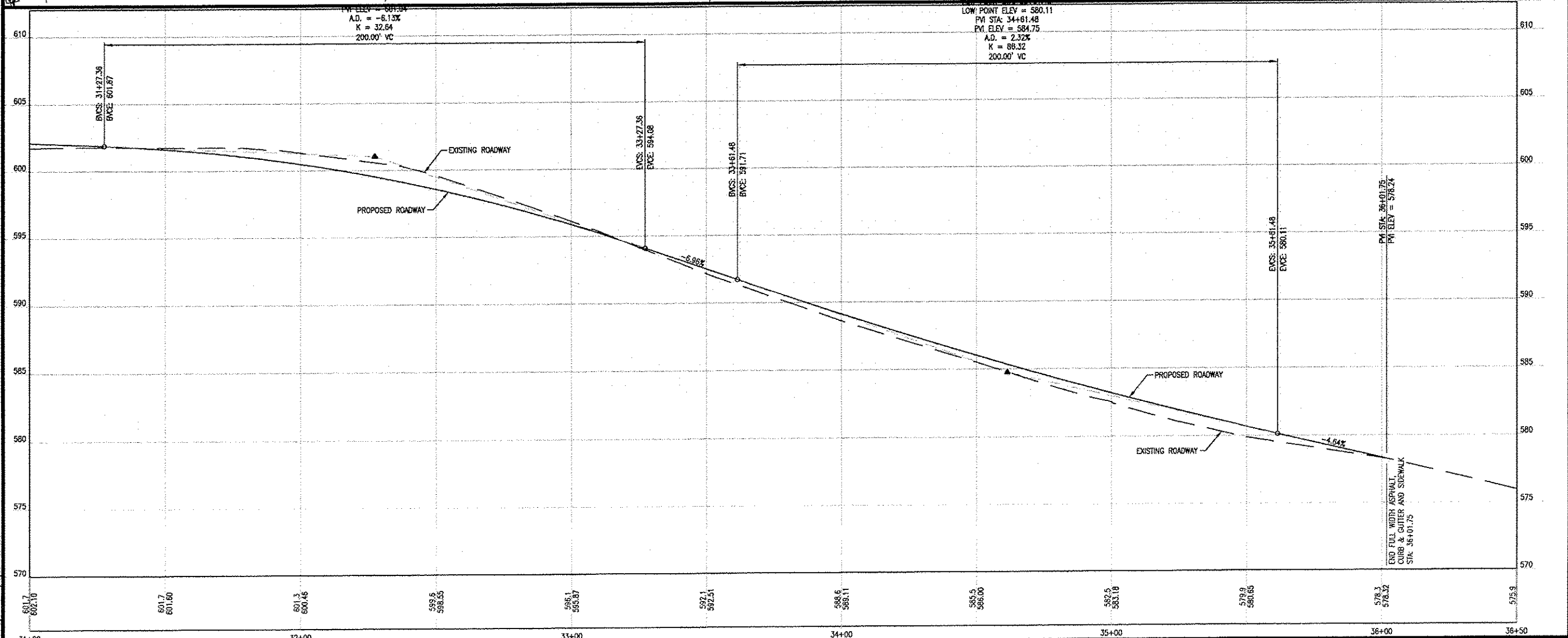
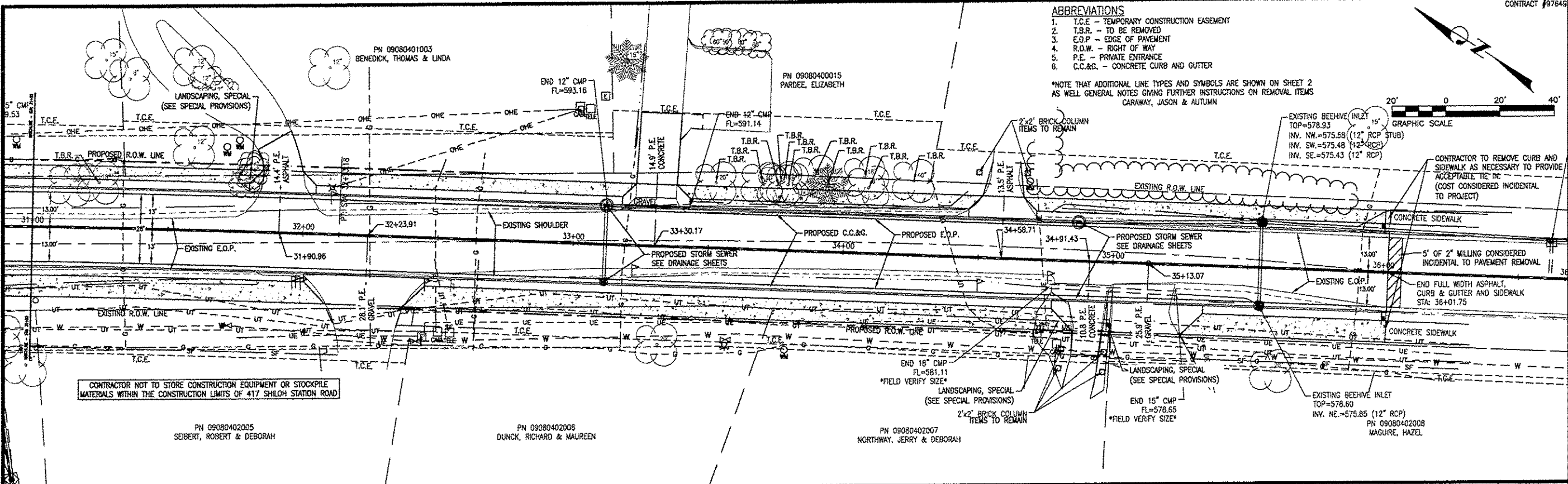
15-00011-05-PV

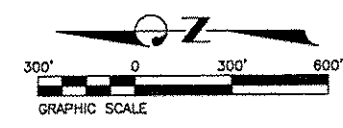
REV	DATE	DESCRIPTION
△		
△		
△		

DRAWN BY: LEM	SHEET
DESIGNED BY: NTS	8
CHECKED BY: NTS	OF 28 SHEETS
APPROVED BY: NTS	SHILOH STATION ROAD PHASE 5
PROJECT NUMBER: T01150492	
ISSUED FOR REVIEW	ISSUED FOR BIDDING
ISSUED FOR CONSTR.	RECORD DRAWING

- ABBREVIATIONS**
- T.C.E. - TEMPORARY CONSTRUCTION EASEMENT
 - T.B.R. - TO BE REMOVED
 - E.O.P. - EDGE OF PAVEMENT
 - R.O.W. - RIGHT OF WAY
 - P.E. - PRIVATE ENTRANCE
 - C.C.&G. - CONCRETE CURB AND GUTTER

*NOTE THAT ADDITIONAL LINE TYPES AND SYMBOLS ARE SHOWN ON SHEET 2 AS WELL GENERAL NOTES GIVING FURTHER INSTRUCTIONS ON REMOVAL ITEMS CARAWAY, JASON & AUTUMN





**THOUVENOT,
WADE &
MOERCHEN, INC.**
ENGINEERS • SURVEYORS • PLANNERS



- CORPORATE OFFICE**
4940 OLD COLLINGSVILLE RD.
SWANSEA, ILLINOIS 62226
TEL (618) 624-4488
FAX (618) 624-6688
- WATERLOO OFFICE**
113 SOUTH MAIN STREET
WATERLOO, ILLINOIS 62298
TEL (618) 939-5050
FAX (618) 939-3938
- EDWARDSVILLE OFFICE**
600 COUNTRY CLUB VIEW, SUITE 1
EDWARDSVILLE, ILLINOIS 62025
TEL (618) 656-4040
FAX (618) 656-4343
- ST. LOUIS OFFICE**
720 OLIVE ST., SUITE 200A
ST. LOUIS, MISSOURI 63101
TEL (314) 241-6300
FAX (314) 241-2391
- ST. CHARLES OFFICE**
400 N. 5TH STREET, SUITE 101
ST. CHARLES, MISSOURI 63301
TEL (636) 724-8300
FAX (636) 724-8304

PROFESSIONAL REGISTRATIONS	LICENSE NO.
ILLINOIS PROFESSIONAL DESIGN FIRM	184-001220
PROFESSIONAL ENGINEERING CORP.	62-053370
PROFESSIONAL STRUCTURAL ENGR. CORP.	81-003202
ILLINOIS PROF. LAND SURVEYING CORP.	048-000079
MISSOURI PROFESSIONAL ENGR. CORP.	NC 001328
MISSOURI LAND SURVEYING CORP.	NC 000348

SEAL

Signature: _____
 Signature Date: _____
 Expiration Date: _____

STATEMENT OF RESPONSIBILITY
 I hereby confirm that the document herein to be authenticated by my seal is restricted to this sheet, and I hereby disclaim any responsibility for all other drawings, specifications, estimates, reports or other documents or instruments relating to or intended to be utilized for any other part of the architectural, engineering or survey project.

**TITLE: SHILOH STATION ROAD PHASE 5
DETOUR PLAN
15-00011-05-PV**

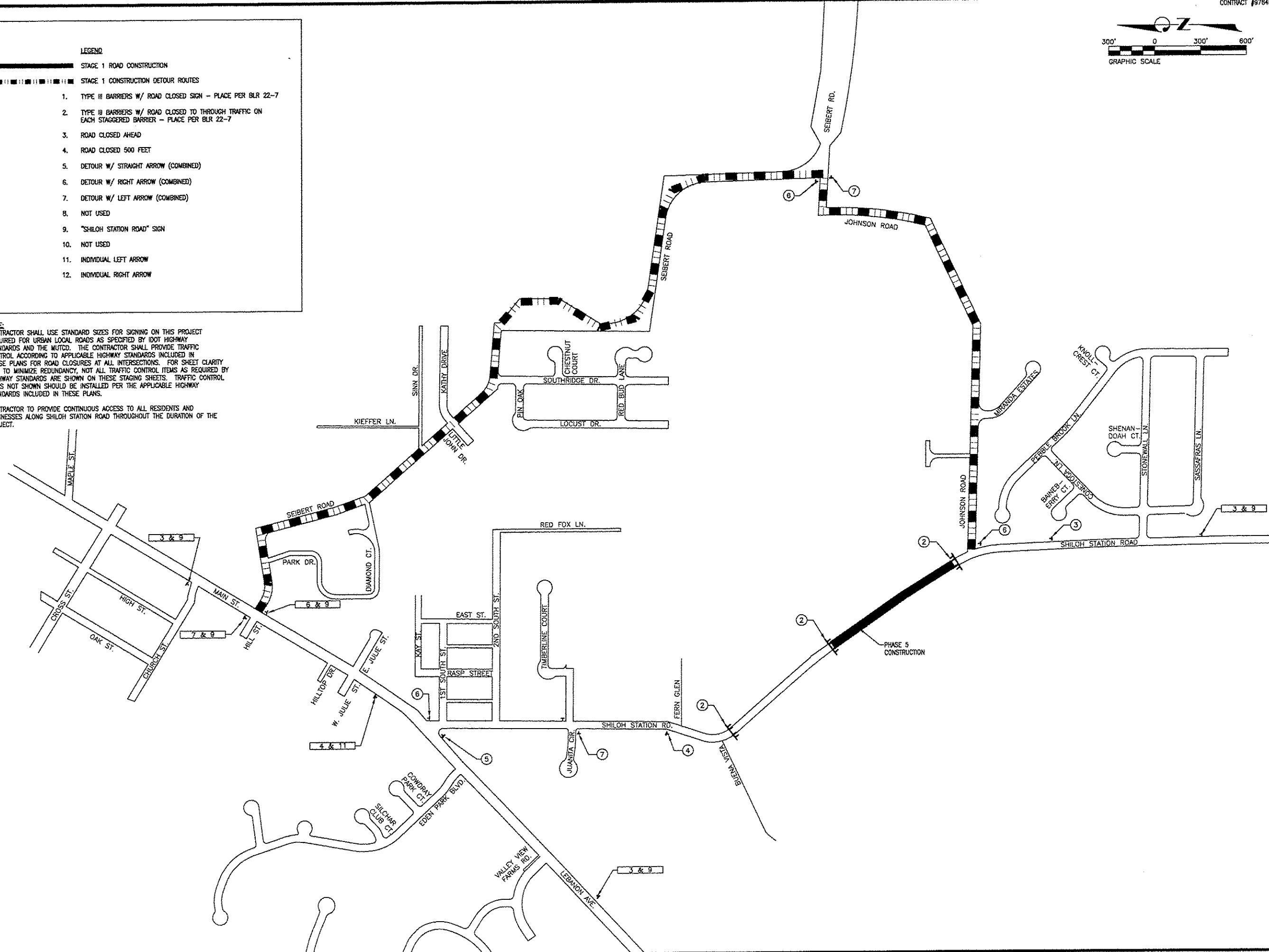
**PROJECT: SHILOH STATION ROAD
RECONSTRUCTION - PHASE 5
VILLAGE OF SHILOH
ST. CLAIR COUNTY, ILLINOIS**

REV.	DATE	DESCRIPTION

DRAWN BY: LEM	SHEET
DESIGNED BY: NTS	9
CHECKED BY: NTS	OF 28 SHEETS
APPROVED BY: NTS	SHILOH STATION ROAD PHASE 5
PROJECT NUMBER: T01150492	
<input checked="" type="checkbox"/> ISSUED FOR REVIEW	<input type="checkbox"/> ISSUED FOR BIDDING
<input type="checkbox"/> ISSUED FOR CONSTR.	<input type="checkbox"/> RECORD DRAWING

- LEGEND**
- STAGE 1 ROAD CONSTRUCTION
 - STAGE 1 CONSTRUCTION DETOUR ROUTES
 - 1. TYPE III BARRIERS W/ ROAD CLOSED SIGN - PLACE PER BLR 22-7
 - 2. TYPE III BARRIERS W/ ROAD CLOSED TO THROUGH TRAFFIC ON EACH STAGGERED BARRIER - PLACE PER BLR 22-7
 - 3. ROAD CLOSED AHEAD
 - 4. ROAD CLOSED 500 FEET
 - 5. DETOUR W/ STRAIGHT ARROW (COMBINED)
 - 6. DETOUR W/ RIGHT ARROW (COMBINED)
 - 7. DETOUR W/ LEFT ARROW (COMBINED)
 - 8. NOT USED
 - 9. "SHILOH STATION ROAD" SIGN
 - 10. NOT USED
 - 11. INDIVIDUAL LEFT ARROW
 - 12. INDIVIDUAL RIGHT ARROW

- NOTE:**
1. CONTRACTOR SHALL USE STANDARD SIZES FOR SIGNING ON THIS PROJECT REQUIRED FOR URBAN LOCAL ROADS AS SPECIFIED BY FOOT HIGHWAY STANDARDS AND THE MUTCD. THE CONTRACTOR SHALL PROVIDE TRAFFIC CONTROL ACCORDING TO APPLICABLE HIGHWAY STANDARDS INCLUDED IN THESE PLANS FOR ROAD CLOSURES AT ALL INTERSECTIONS. FOR SHEET CLARITY AND TO MINIMIZE REDUNDANCY, NOT ALL TRAFFIC CONTROL ITEMS AS REQUIRED BY HIGHWAY STANDARDS ARE SHOWN ON THESE STAGING SHEETS. TRAFFIC CONTROL ITEMS NOT SHOWN SHOULD BE INSTALLED PER THE APPLICABLE HIGHWAY STANDARDS INCLUDED IN THESE PLANS.
 2. CONTRACTOR TO PROVIDE CONTINUOUS ACCESS TO ALL RESIDENTS AND BUSINESSES ALONG SHILOH STATION ROAD THROUGHOUT THE DURATION OF THE PROJECT.





- CORPORATE OFFICE**
4940 OLD COLLINSVILLE RD.
SWANSEA, ILLINOIS 62226
TEL (618) 624-4488
FAX (618) 624-6688
- WATERLOO OFFICE**
113 SOUTH MAIN STREET
WATERLOO, ILLINOIS 62298
TEL (618) 939-5050
FAX (618) 939-3938
- EDWARDSVILLE OFFICE**
600 COUNTRY CLUB VIEW, SUITE 1
EDWARDSVILLE, ILLINOIS 62025
TEL (618) 656-4040
FAX (618) 656-4343
- ST. LOUIS OFFICE**
720 OLIVE ST., SUITE 200A
ST. LOUIS, MISSOURI 63101
TEL (314) 241-6300
FAX (314) 241-2391
- ST. CHARLES OFFICE**
400 N. 5TH STREET, SUITE 101
ST. CHARLES, MISSOURI 63301
TEL (636) 724-8300
FAX (636) 724-8304

PROFESSIONAL REGISTRATIONS	LICENSE NO.
ILLINOIS PROFESSIONAL DESIGNER	184-001229
PROFESSIONAL ENGINEERING CORP.	62-033370
PROFESSIONAL STRUCTURAL ENGR. CORP.	81-000202
ILLINOIS PROF. LAND SURVEYING CORP.	048-000029
MISSOURI PROFESSIONAL ENGR. CORP.	NC 001528
MISSOURI LAND SURVEYING CORP.	MC 000348

SEAL

Signature: _____
Expiration Date: _____

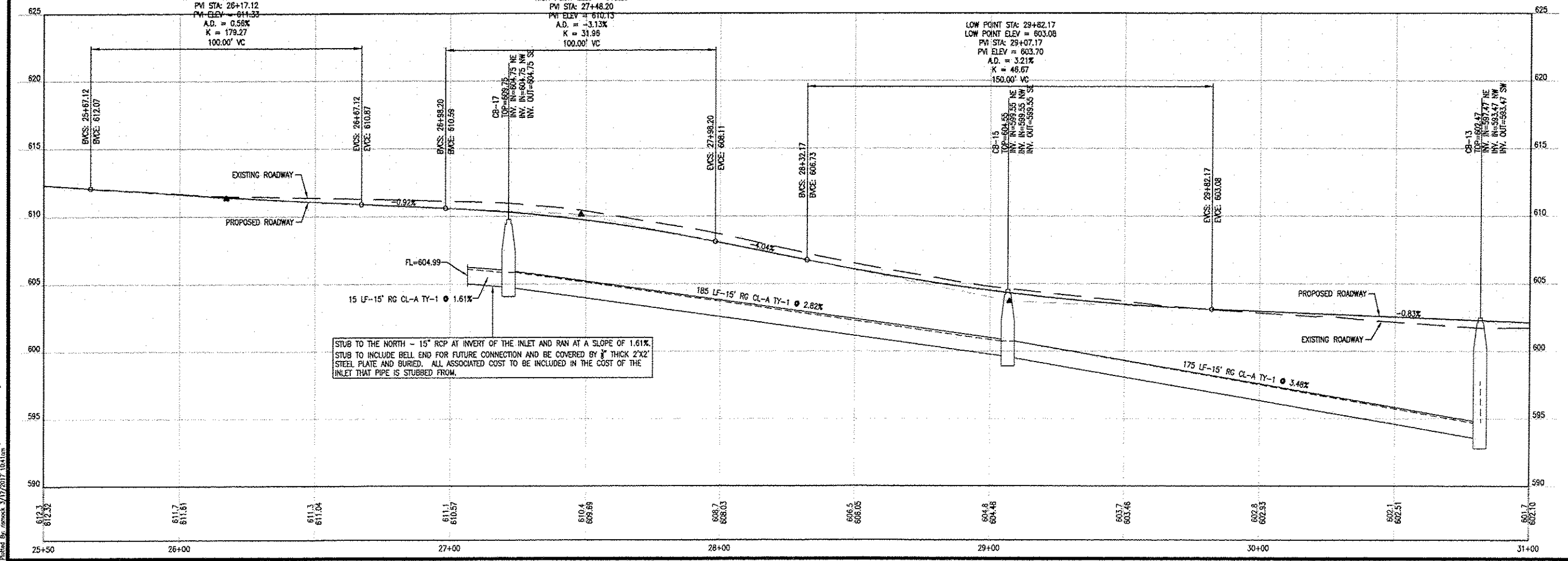
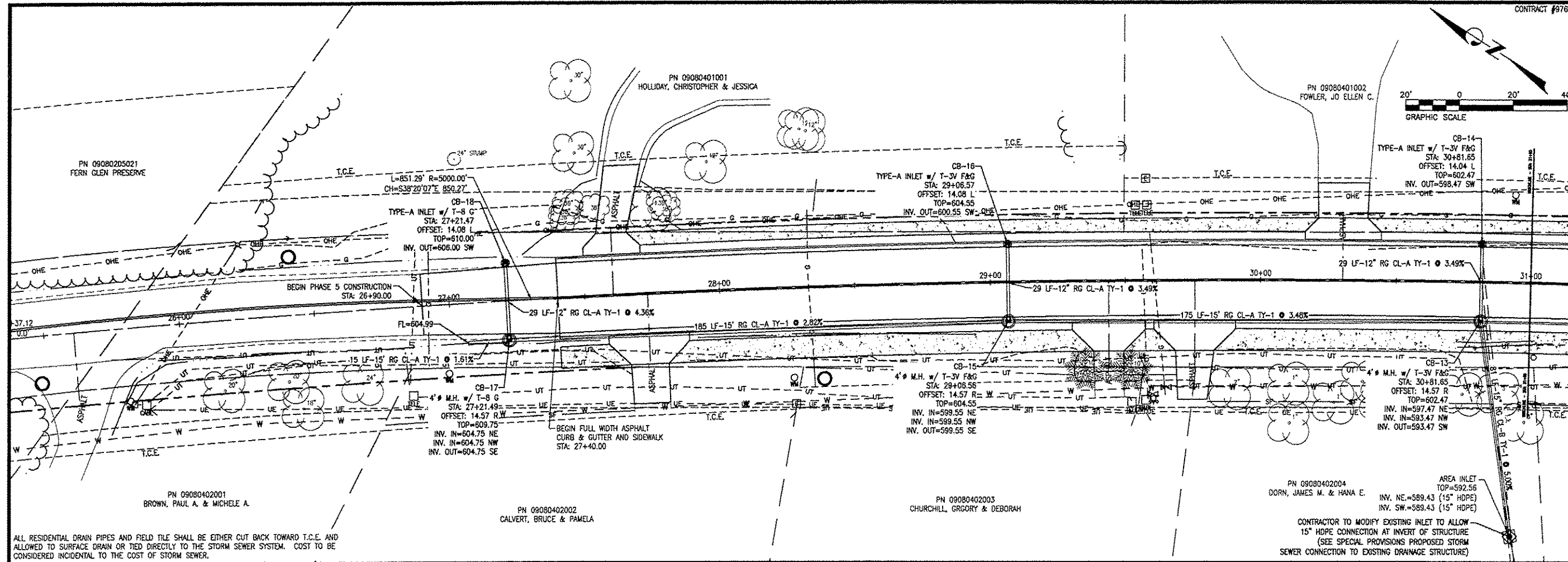
STATEMENT OF RESPONSIBILITY
I hereby confirm that the document herein to be authorized by my seal is restricted to this sheet, and I hereby disclaim any responsibility for all other drawings, specifications, estimates, reports or other documents or instruments relating to or intended to be utilized for any other part of the architectural, engineering or survey project.

TITLE: SHILOH STATION ROAD PHASE 5 DRAINAGE WEST 15-00011-05-PV

PROJECT: SHILOH STATION ROAD RECONSTRUCTION - PHASE 5 VILLAGE OF SHILOH ST. CLAIR COUNTY, ILLINOIS

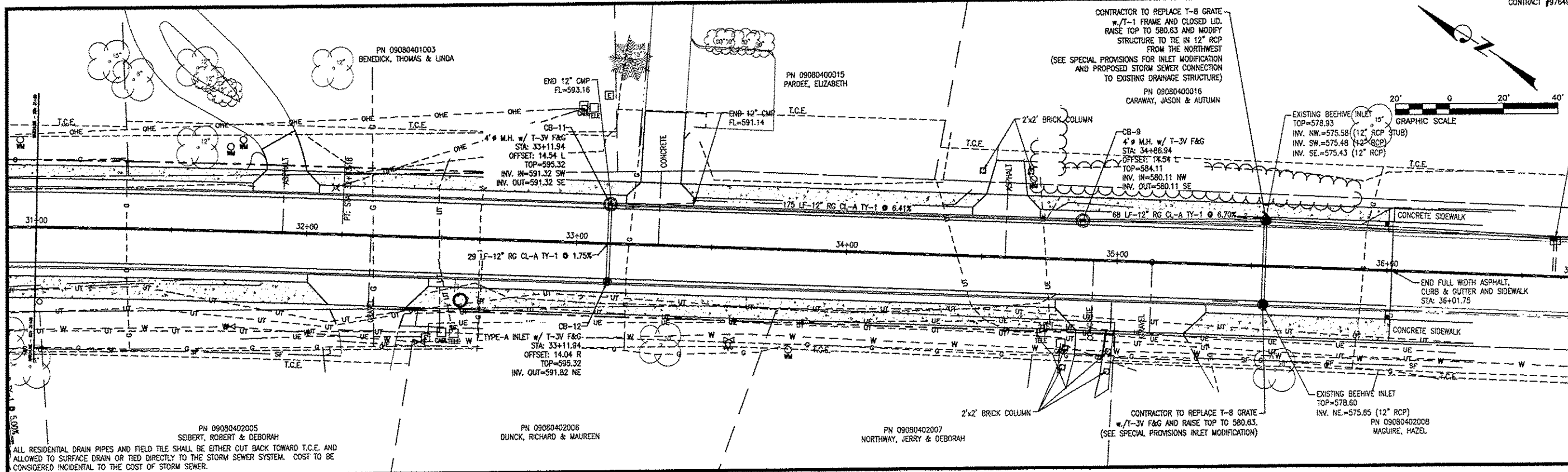
REV	DATE	DESCRIPTION
△		
△		
△		

DRAWN BY: LEM	SHEET
DESIGNED BY: NTS	10
CHECKED BY: NTS	OF 28 SHEETS
APPROVED BY: NTS	
PROJECT NUMBER: T01150492	
<input checked="" type="checkbox"/> ISSUED FOR REVIEW	<input type="checkbox"/> ISSUED FOR BIDDING
<input type="checkbox"/> ISSUED FOR CONSTR.	<input type="checkbox"/> RECORD DRAWING



ALL RESIDENTIAL DRAIN PIPES AND FIELD TILE SHALL BE EITHER CUT BACK TOWARD T.C.E. AND ALLOWED TO SURFACE DRAIN OR TIED DIRECTLY TO THE STORM SEWER SYSTEM. COST TO BE CONSIDERED INCIDENTAL TO THE COST OF STORM SEWER.

STUB TO THE NORTH - 15" RCP AT INVERT OF THE INLET AND RAN AT A SLOPE OF 1.61%. STUB TO INCLUDE BELL END FOR FUTURE CONNECTION AND BE COVERED BY 3" THICK 2'X2' STEEL PLATE AND BURIED. ALL ASSOCIATED COST TO BE INCLUDED IN THE COST OF THE INLET THAT PIPE IS STUBBED FROM.



THOUVENOT, WADE & MOERCHEN, INC.
ENGINEERS • SURVEYORS • PLANNERS

TWM

CORPORATE OFFICE
4940 OLD COLLINSVILLE RD.
SWANSEA, ILLINOIS 62226
TEL (618) 624-4488
FAX (618) 624-8688

WATERLOO OFFICE
113 SOUTH MAIN STREET
WATERLOO, ILLINOIS 62298
TEL (618) 939-5050
FAX (618) 939-3938

EDWARDSVILLE OFFICE
600 COUNTRY CLUB VIEW, SUITE 1
EDWARDSVILLE, ILLINOIS 62025
TEL (618) 656-4040
FAX (618) 656-4343

ST. LOUIS OFFICE
720 OLIVE ST., SUITE 200A
ST. LOUIS, MISSOURI 63101
TEL (314) 241-6300
FAX (314) 241-2391

ST. CHARLES OFFICE
400 N. 5TH STREET, SUITE 101
ST. CHARLES, MISSOURI 63301
TEL (636) 724-8300
FAX (636) 724-8304

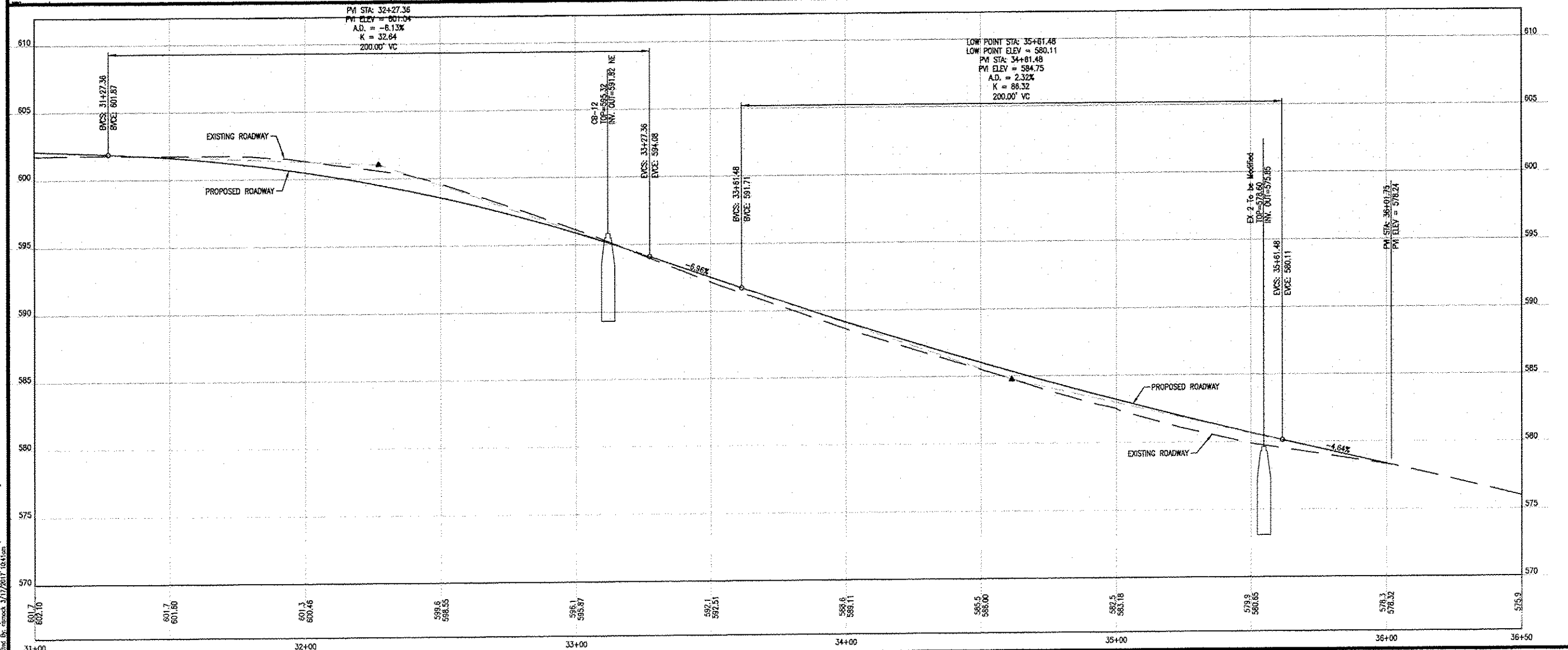
PROFESSIONAL REGISTRATIONS

ILLINOIS PROFESSIONAL DESIGN FIRM	LICENSE NO.
ILLINOIS PROFESSIONAL DESIGN FIRM	184-001220
PROFESSIONAL ENGINEERING CORP.	62-033370
PROFESSIONAL STRUCTURAL ENGR. CORP.	81-005202
ILLINOIS PROF. LAND SURVEYING CORP.	048-000028
MISSOURI PROFESSIONAL ENGR. CORP.	MC 001528
MISSOURI LAND SURVEYING CORP.	MC 000346

SEAL

Signature: _____
Signature Date: _____
Expiration Date: _____

STATEMENT OF RESPONSIBILITY
I hereby confirm that the document herein to be authorized by my seal is restricted to this sheet, and I hereby disclaim any responsibility for all other drawings, specifications, estimates, reports or other documents or instruments relating to or intended to be utilized for any other part of the architectural, engineering or survey project.



TITLE
SHILOH STATION ROAD PHASE 5
DRAINAGE WEST
15-00011-05-PV

PROJECT
SHILOH STATION ROAD
RECONSTRUCTION - PHASE 5
VILLAGE OF SHILOH
ST. CLAIR COUNTY, ILLINOIS

REV	DATE	DESCRIPTION
△		
△		
△		

DRAWN BY	LEM	SHEET
DESIGNED BY	NTS	11
CHECKED BY	NTS	OF 28 SHEETS
APPROVED BY	NTS	
PROJECT NUMBER	T01150492	SHILOH STATION ROAD PHASE 5

ISSUED FOR REVIEW ISSUED FOR BIDDING
 ISSUED FOR CONSTR. RECORD DRAWING



- CORPORATE OFFICE**
4940 OLD COLLINSVILLE RD.
SWANSEA, ILLINOIS 62226
TEL (618) 624-4488
FAX (618) 624-8688
- WATERLOO OFFICE**
113 SOUTH MAIN STREET
WATERLOO, ILLINOIS 62298
TEL (618) 939-5050
FAX (618) 939-3938
- EDWARDSVILLE OFFICE**
600 COUNTRY CLUB VIEW, SUITE 1
EDWARDSVILLE, ILLINOIS 62025
TEL (618) 656-4040
FAX (618) 656-4343
- ST. LOUIS OFFICE**
720 OLIVE ST., SUITE 200A
ST. LOUIS, MISSOURI 63101
TEL (314) 241-6300
FAX (314) 241-2391
- ST. CHARLES OFFICE**
400 N. 5TH STREET, SUITE 101
ST. CHARLES, MISSOURI 63301
TEL (636) 724-8300
FAX (636) 724-8304

PROFESSIONAL REGISTRATIONS	LICENSE NO.
ILLINOIS PROFESSIONAL DESIGN FIRM	184-007220
PROFESSIONAL ENGINEERING CORP.	62-033570
PROFESSIONAL STRUCTURAL ENGR. CORP.	01-005202
ILLINOIS PROF. LAND SURVEYING CORP.	048-000028
MISSOURI PROFESSIONAL ENGR. CORP.	NC 001528
MISSOURI LAND SURVEYING CORP.	NC 000346

SEAL

Signature: _____
Signature Date: _____
Expiration Date: _____

STATEMENT OF RESPONSIBILITY

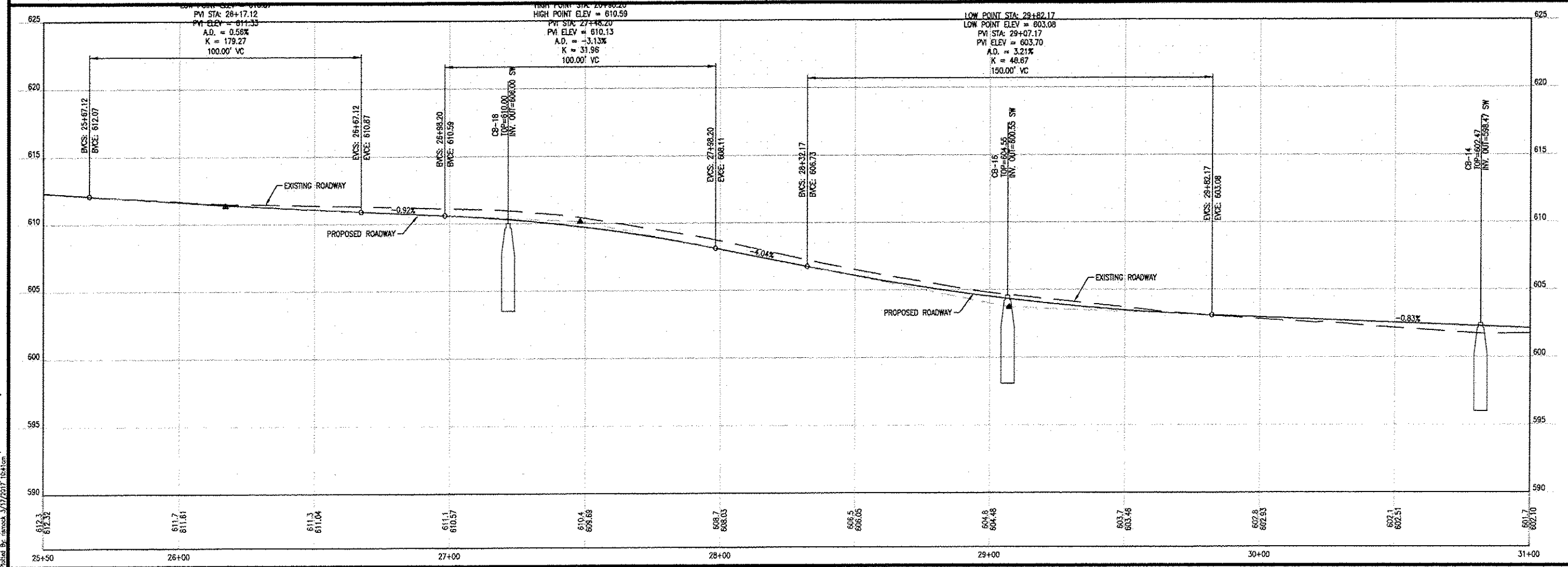
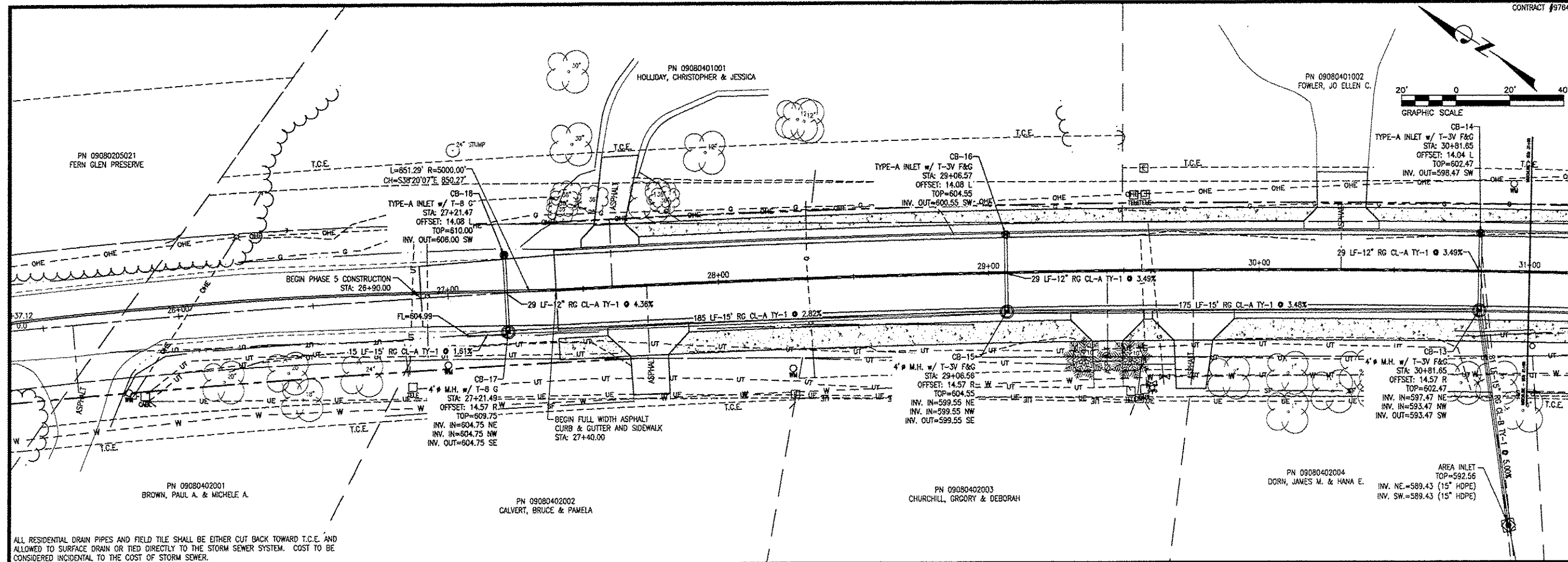
I hereby confirm that the document herein to be authenticated by my seal is restricted to this sheet, and I hereby disclaim any responsibility for all other drawings, specifications, estimates, reports or other documents or instruments relating to or intended to be utilized for any other part of the architectural, engineering or survey project.

TITLE: SHILOH STATION ROAD PHASE 5 DRAINAGE EAST 15-00011-05-PV

PROJECT: SHILOH STATION ROAD RECONSTRUCTION - PHASE 5 VILLAGE OF SHILOH ST. CLAIR COUNTY, ILLINOIS

REV	DATE	DESCRIPTION
△		
△		
△		

DRAWN BY	LEM	SHEET	
DESIGNED BY	NTS	12	OF 28 SHEETS
CHECKED BY	NTS		
APPROVED BY	NTS	SHILOH STATION ROAD PHASE 5	
PROJECT NUMBER	T01150492		
<input checked="" type="checkbox"/> ISSUED FOR REVIEW		<input type="checkbox"/> ISSUED FOR BIDDING	
<input type="checkbox"/> ISSUED FOR CONSTR.		<input type="checkbox"/> RECORD DRAWING	



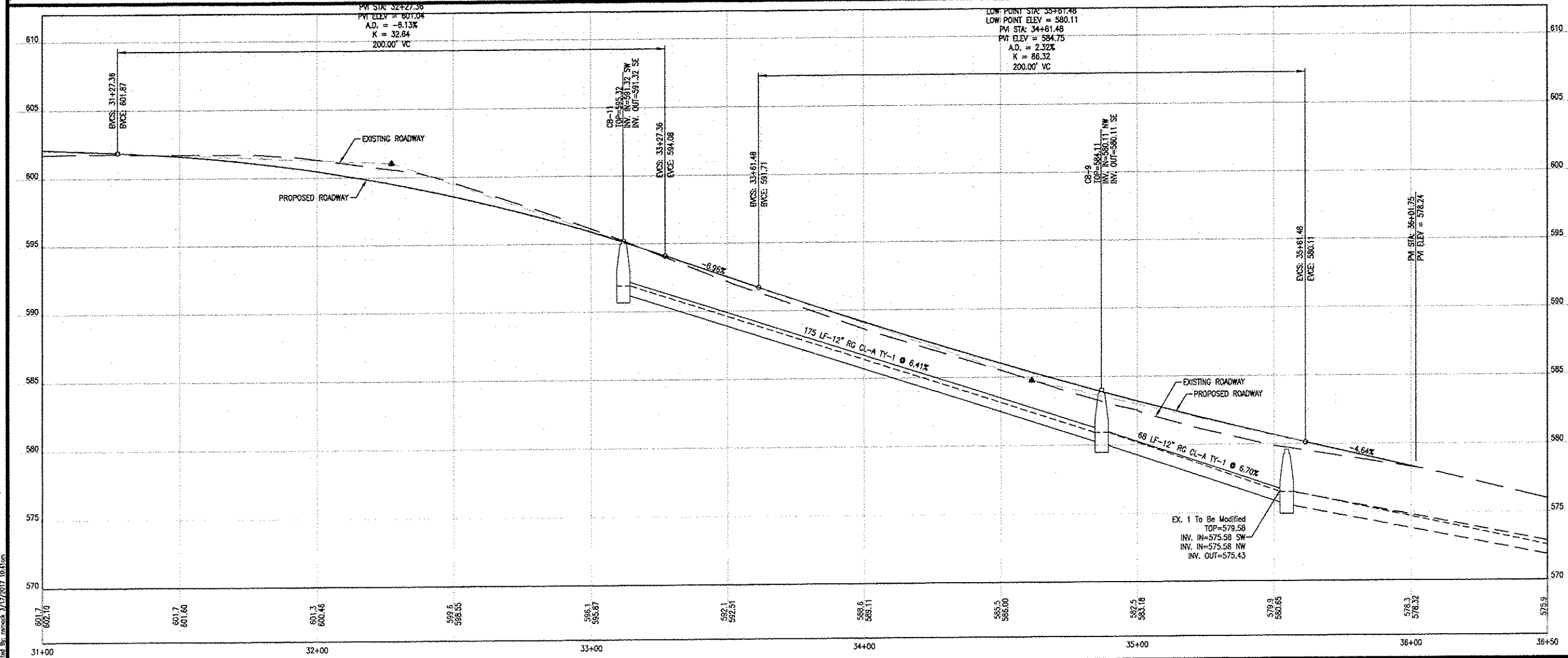
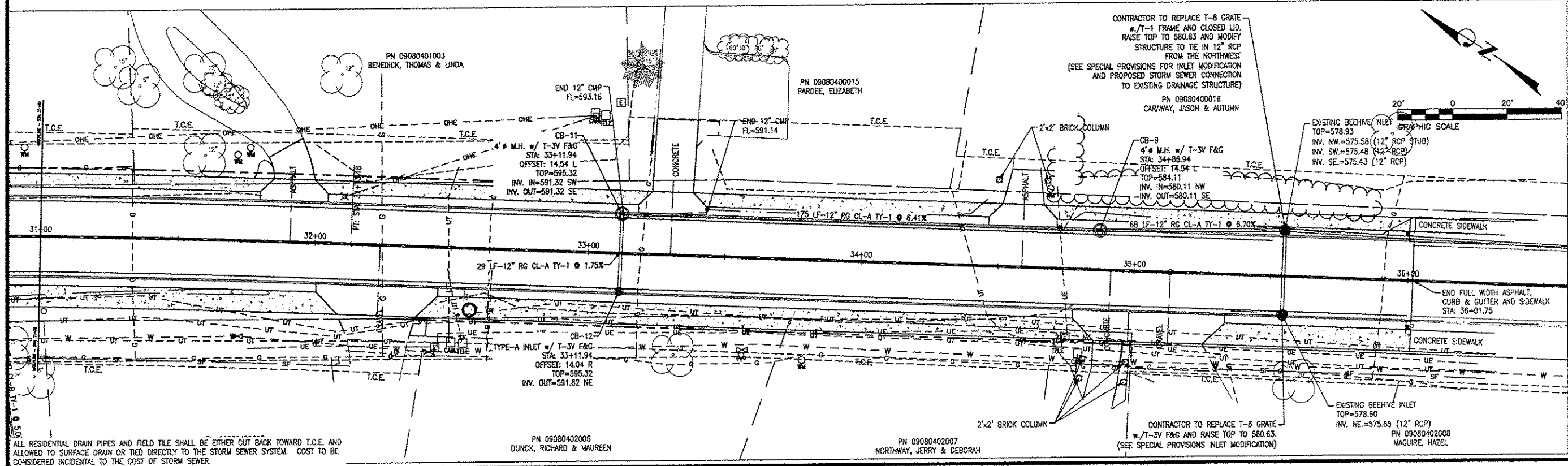
ALL RESIDENTIAL DRAIN PIPES AND FIELD TILE SHALL BE EITHER CUT BACK TOWARD T.C.E. AND ALLOWED TO SURFACE DRAIN OR TIED DIRECTLY TO THE STORM SEWER SYSTEM. COST TO BE CONSIDERED INCIDENTAL TO THE COST OF STORM SEWER.

THOUVENOT, WADE & MOERCHEN, INC.
ENGINEERS • SURVEYORS • PLANNERS



- CORPORATE OFFICE**
4940 OLD COLLINSVILLE RD.
SWANSEA, ILLINOIS 62226
TEL (618) 824-4488
FAX (618) 824-6688
- WATERLOO OFFICE**
113 SOUTH MAIN STREET
WATERLOO, ILLINOIS 62298
TEL (618) 939-5050
FAX (618) 939-3938
- EDWARDSVILLE OFFICE**
600 COUNTRY CLUB VIEW, SUITE 1
EDWARDSVILLE, ILLINOIS 62025
TEL (618) 656-4040
FAX (618) 656-4343
- ST. LOUIS OFFICE**
720 OLIVE ST., SUITE 200A
ST. LOUIS, MISSOURI 63101
TEL (314) 241-6300
FAX (314) 241-2391
- ST. CHARLES OFFICE**
400 N. 9TH STREET, SUITE 101
ST. CHARLES, MISSOURI 63301
TEL (636) 724-8300
FAX (636) 724-8304

PROFESSIONAL REGISTRATIONS	LICENSE NO.
ILLINOIS PROFESSIONAL DESIGN FIRM	184-011220
PROFESSIONAL ENGINEERING CORP.	82-035370
PROFESSIONAL STRUCTURAL ENGR. CORP.	81-005202
ILLINOIS PROF. LAND SURVEYING CORP.	048-000029
MISSOURI PROFESSIONAL ENGR. CORP.	NC 001028
MISSOURI LAND SURVEYING CORP.	NC 000346



Signature: _____
 Expiration Date: _____
STATEMENT OF RESPONSIBILITY
 I hereby confirm that the document herein to be authorized by my seal is restricted to this sheet, and I hereby disclaim any responsibility for all other drawings, specifications, estimates, reports or other documents or instruments relating to or intended to be used for any other part of the architectural, engineering or survey project.

TITLE: SHILOH STATION ROAD PHASE 5 DRAINAGE EAST 15-00011-05-PV
PROJECT: SHILOH STATION ROAD RECONSTRUCTION - PHASE 5 VILLAGE OF SHILOH ST. CLAIR COUNTY, ILLINOIS

REV	DATE	DESCRIPTION
△		
△		
△		

DRAWN BY: LEM	SHEET
DESIGNED BY: NTS	13
CHECKED BY: NTS	OF 28 SHEETS
APPROVED BY: NTS	SHILOH STATION ROAD PHASE 5
PROJECT NUMBER: T01150492	
<input checked="" type="checkbox"/> ISSUED FOR REVIEW	<input type="checkbox"/> ISSUED FOR BIDDING
<input type="checkbox"/> ISSUED FOR CONSTR.	<input type="checkbox"/> RECORD DRAWING

THOUVENOT, WADE & MOERCHEN, INC.
ENGINEERS • SURVEYORS • PLANNERS



- CORPORATE OFFICE**
4940 OLD COLLINSVILLE RD.
SWANSEA, ILLINOIS 62226
TEL (618) 624-4488
FAX (618) 624-6688
- WATERLOO OFFICE**
113 SOUTH MAIN STREET
WATERLOO, ILLINOIS 62298
TEL (618) 939-5050
FAX (618) 939-3938
- EDWARDSVILLE OFFICE**
600 COUNTRY CLUB VIEW, SUITE 1
EDWARDSVILLE, ILLINOIS 62025
TEL (618) 658-4040
FAX (618) 656-4343
- ST. LOUIS OFFICE**
720 OLIVE ST., SUITE 200A
ST. LOUIS, MISSOURI 63101
TEL (314) 241-6300
FAX (314) 241-2391
- ST. CHARLES OFFICE**
400 N. 5TH STREET, SUITE 101
ST. CHARLES, MISSOURI 63301
TEL (636) 724-8300
FAX (636) 724-8304

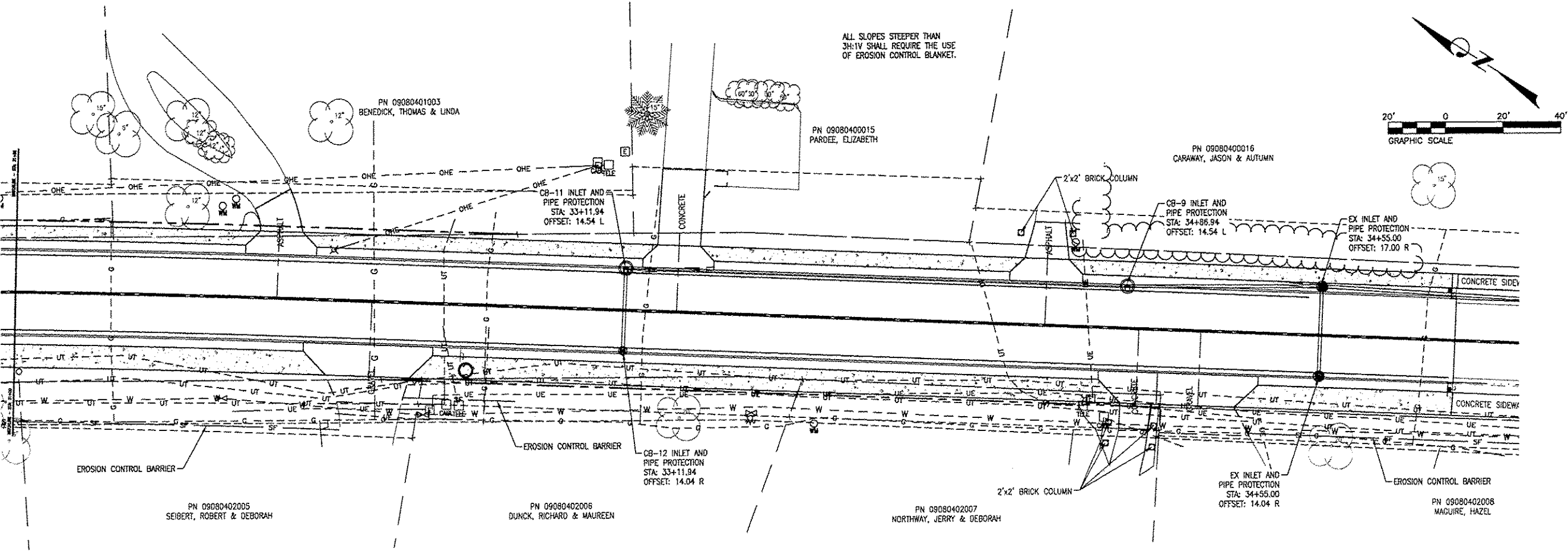
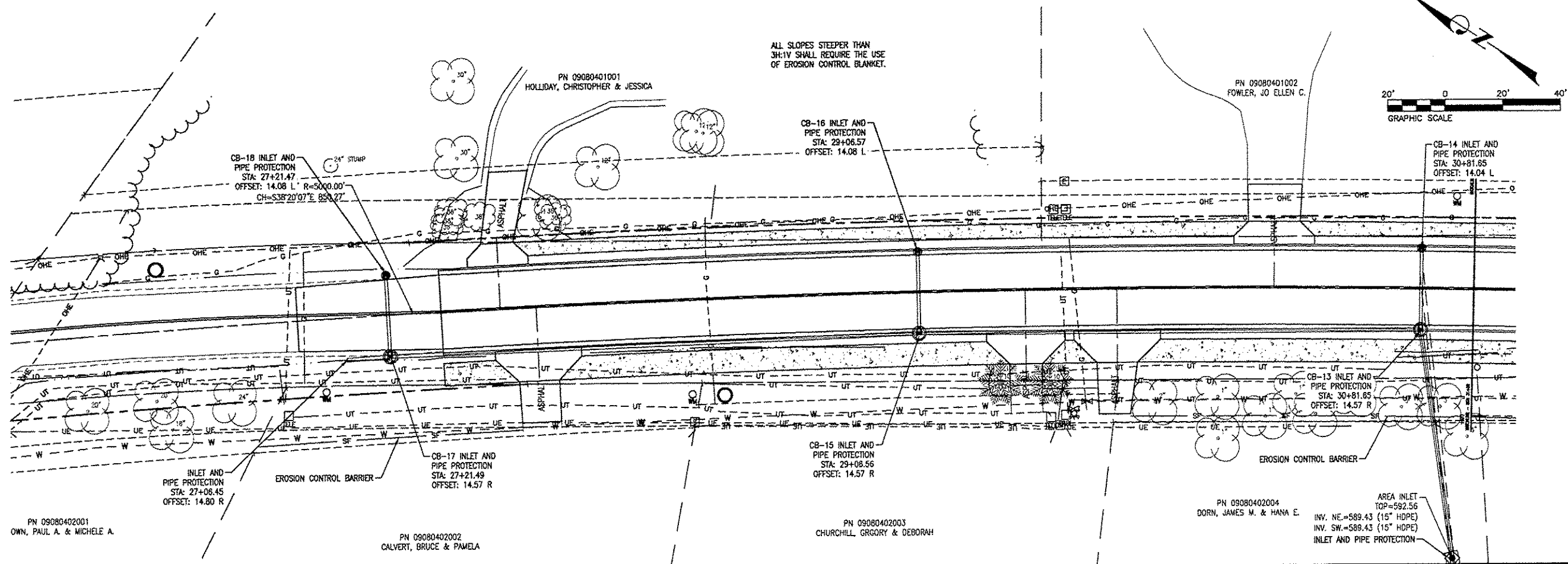
PROFESSIONAL REGISTRATIONS	LICENSE NO.
ILLINOIS PROFESSIONAL DESIGN FIRM	184-001220
PROFESSIONAL ENGINEERING CORP.	62-033370
PROFESSIONAL STRUCTURAL ENGR. CORP.	81-003202
ILLINOIS PROF. LAND SURVEYING CORP.	048-000028
MISSOURI PROFESSIONAL ENGR. CORP.	MC 001526
MISSOURI LAND SURVEYING CORP.	MC 000246

SEAL

Signature: _____
Signature Date: _____
Expiration Date: _____

STATEMENT OF RESPONSIBILITY

I hereby confirm that the document herein to be authenticated by my seal is restricted to this sheet, and I hereby disclaim any responsibility for all other drawings, specifications, estimates, reports or other documents or instruments relating to or intended to be utilized for any other part of the architectural, engineering or survey project.



TITLE: SHILOH STATION ROAD PHASE 5 EROSION CONTROL PLAN 15-00011-05-PV

PROJECT: SHILOH STATION ROAD RECONSTRUCTION - PHASE 5 VILLAGE OF SHILOH ST. CLAIR COUNTY, ILLINOIS

REV	DATE	DESCRIPTION
△		
△		
△		

DRAWN BY:	LEM	SHEET
DESIGNED BY: <td>NTS</td> <td>14</td>	NTS	14
CHECKED BY: <td>NTS</td> <td>OF 28 SHEETS</td>	NTS	OF 28 SHEETS
APPROVED BY: <td>NTS</td> <td></td>	NTS	
PROJECT NUMBER:	T01150492	SHILOH STATION ROAD PHASE 5
<input checked="" type="checkbox"/> ISSUED FOR REVIEW <input type="checkbox"/> ISSUED FOR BIDDING <input type="checkbox"/> ISSUED FOR CONSTR. <input type="checkbox"/> RECORD DRAWING		



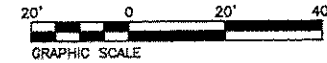
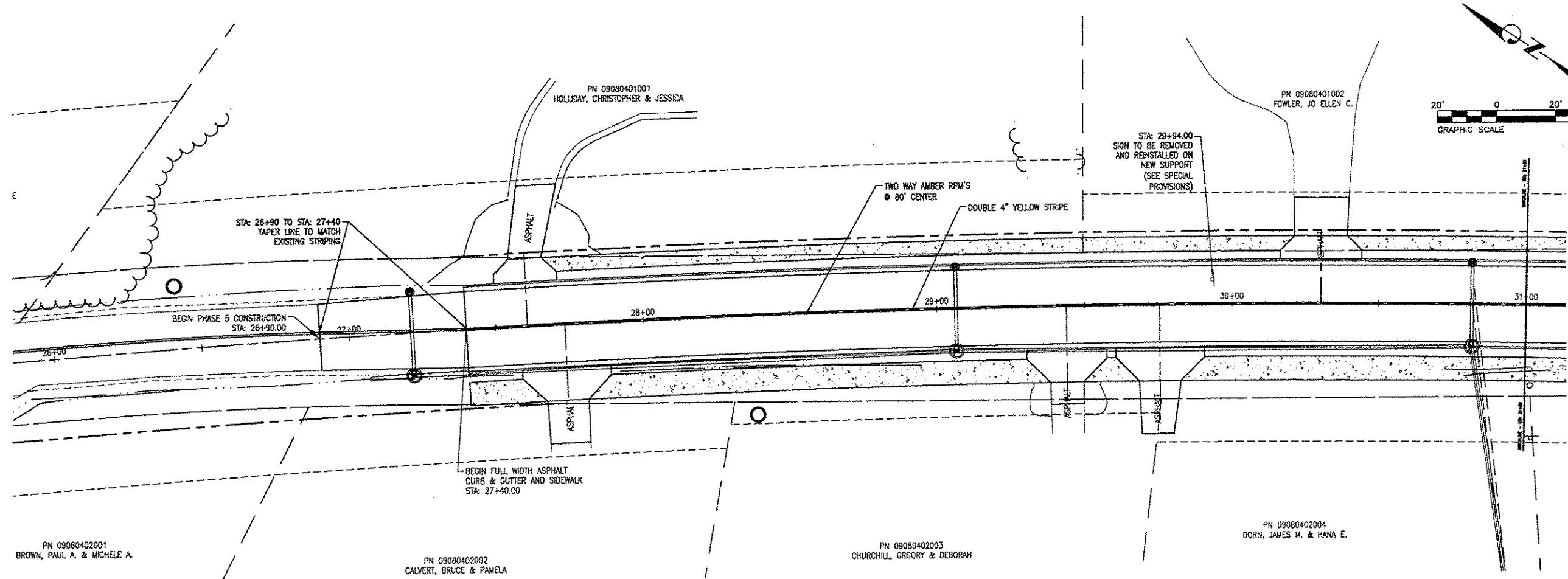
- CORPORATE OFFICE**
4940 OLD COLLINSVILLE RD.
SWANSEA, ILLINOIS 62226
TEL (618) 624-4488
FAX (618) 624-6688
- WATERLOO OFFICE**
113 SOUTH MAIN STREET
WATERLOO, ILLINOIS 62298
TEL (618) 939-5050
FAX (618) 939-3938
- EDWARDSVILLE OFFICE**
600 COUNTRY CLUB VIEW, SUITE 1
EDWARDSVILLE, ILLINOIS 62025
TEL (618) 656-4040
FAX (618) 656-4343
- ST. LOUIS OFFICE**
720 OLIVE ST., SUITE 200A
ST. LOUIS, MISSOURI 63101
TEL (314) 241-6300
FAX (314) 241-2391
- ST. CHARLES OFFICE**
400 N. 5TH STREET, SUITE 101
ST. CHARLES, MISSOURI 63301
TEL (638) 724-8300
FAX (638) 724-8304

PROFESSIONAL REGISTRATIONS	LICENSE NO.
ILLINOIS PROFESSIONAL DESIGN FIRM	184-001220
PROFESSIONAL ENGINEERING CORP.	62-035370
PROFESSIONAL STRUCTURAL ENGR. CORP.	81-003002
ILLINOIS PROF. LAND SURVEYING CORP.	048-000029
MISSOURI PROFESSIONAL ENGR. CORP.	NC 001528
MISSOURI LAND SURVEYING CORP.	NC 000346

SEAL

Signature: _____
Signature Date: _____
Expiration Date: _____

STATEMENT OF RESPONSIBILITY
I hereby confirm that the document herein to be authenticated by my seal is restricted to this sheet, and I hereby disclaim any responsibility for all other drawings, specifications, estimates, reports or other documents or instruments relating to or intended to be utilized for any other part of the architectural, engineering or survey project.

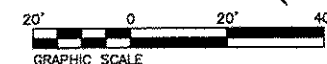
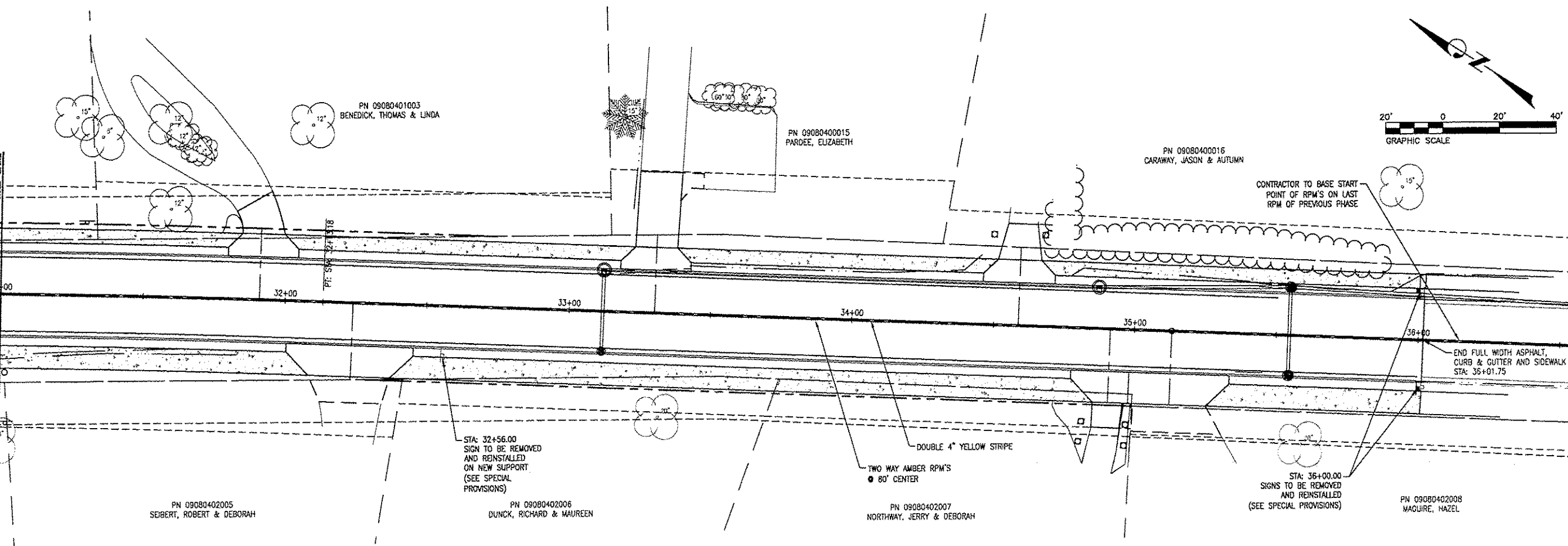


PN 09080402001
BROWN, PAUL A. & MICHELE A.

PN 09080402002
CALVERT, BRUCE & PAMELA

PN 09080402003
CHURCHILL, GREGORY & DEBORAH

PN 09080402004
DORN, JAMES M. & HANA E.



PN 09080402005
SEIBERT, ROBERT & DEBORAH

PN 09080402006
DUNCK, RICHARD & MAUREEN

PN 09080402007
NORTHWAY, JERRY & DEBORAH

PN 09080402008
MAQUIRE, HAZEL

TITLE
SHILOH STATION ROAD PHASE 5
PAVEMENT MARKING AND SIGNAGE
15-00011-05-PV

PROJECT
SHILOH STATION ROAD
RECONSTRUCTION - PHASE 5
VILLAGE OF SHILOH
ST. CLAIR COUNTY, ILLINOIS

REV	DATE	DESCRIPTION

DRAWN BY	LEM	SHEET
DESIGNED BY	NTS	15
CHECKED BY	NTS	OF 28 SHEETS
APPROVED BY	NTS	SHILOH STATION ROAD PHASE 5
PROJECT NUMBER	T01150492	
<input checked="" type="checkbox"/> ISSUED FOR REVIEW	<input type="checkbox"/> ISSUED FOR BIDDING	
<input type="checkbox"/> ISSUED FOR CONSTR.	<input type="checkbox"/> RECORD DRAWING	

THOUVENOT, WADE & MOERCHEN, INC.
ENGINEERS • SURVEYORS • PLANNERS



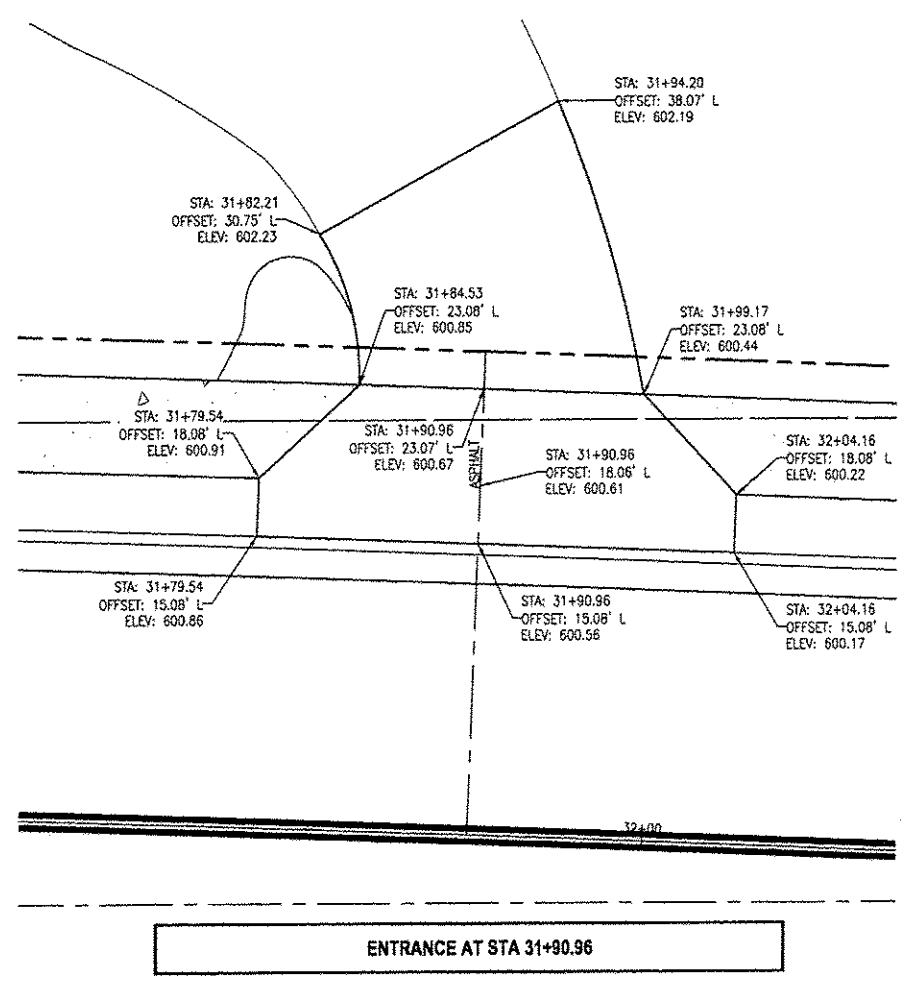
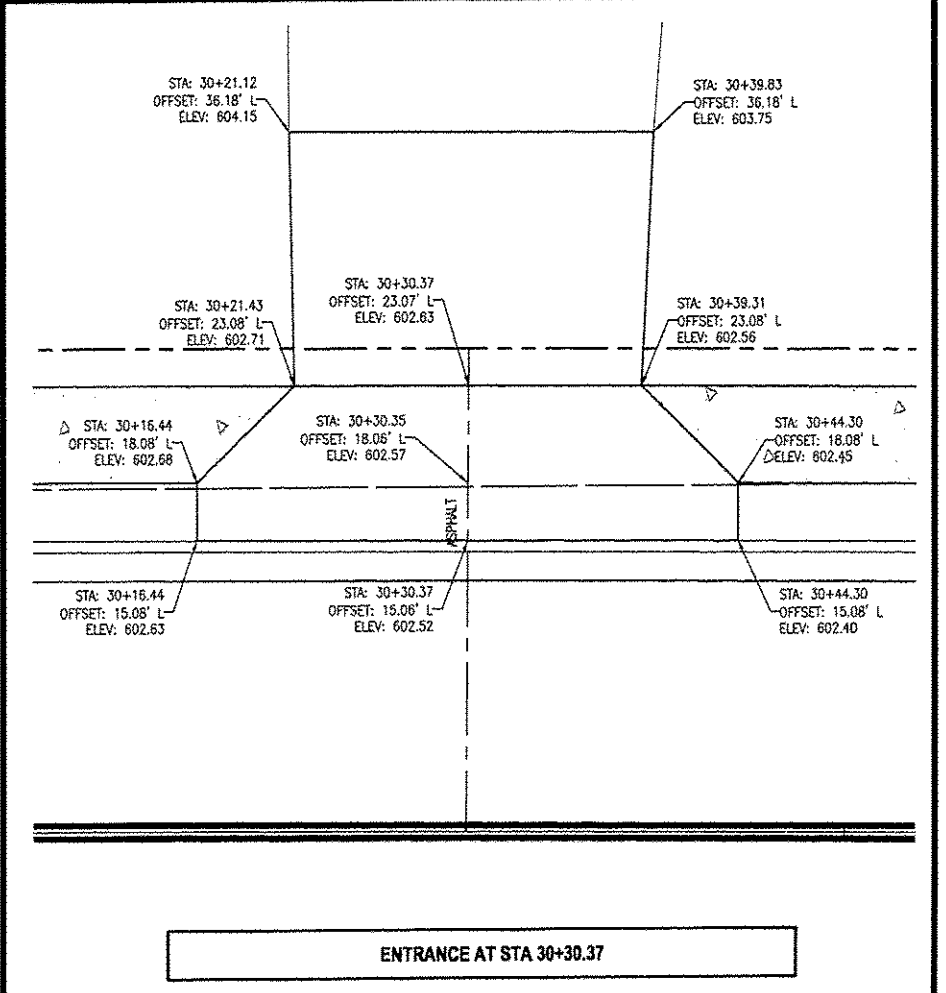
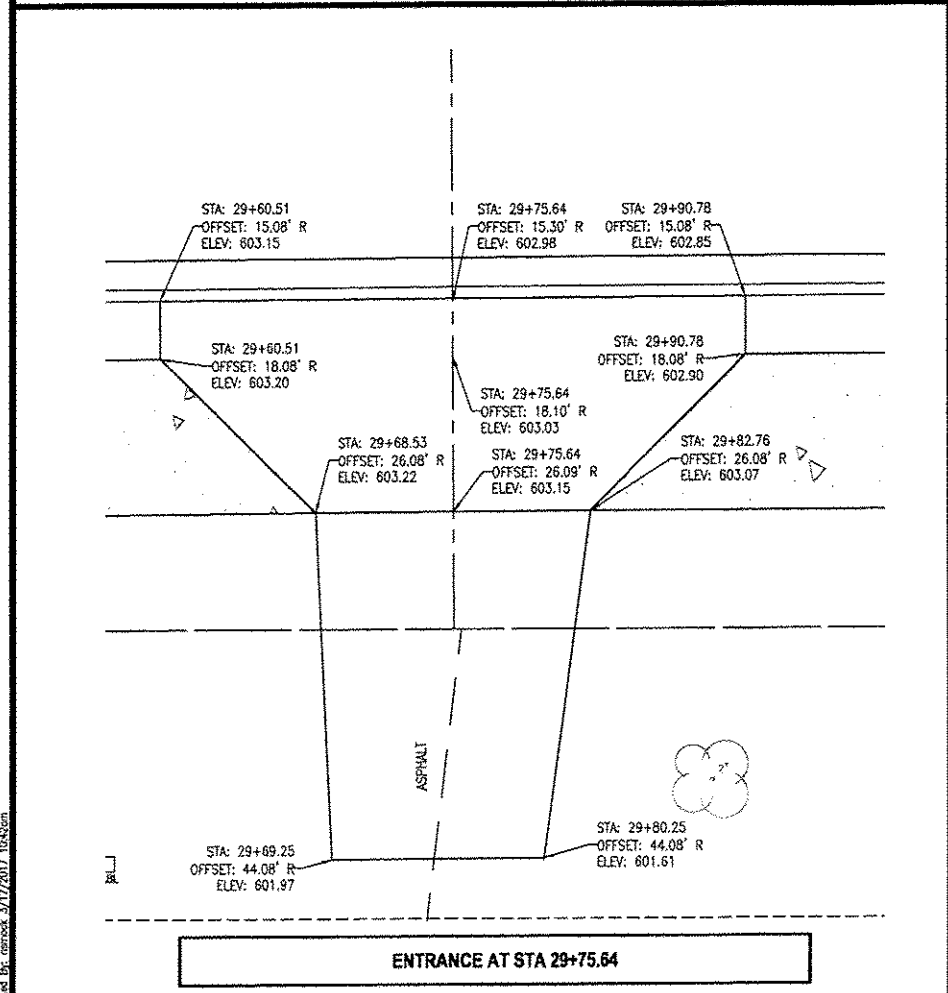
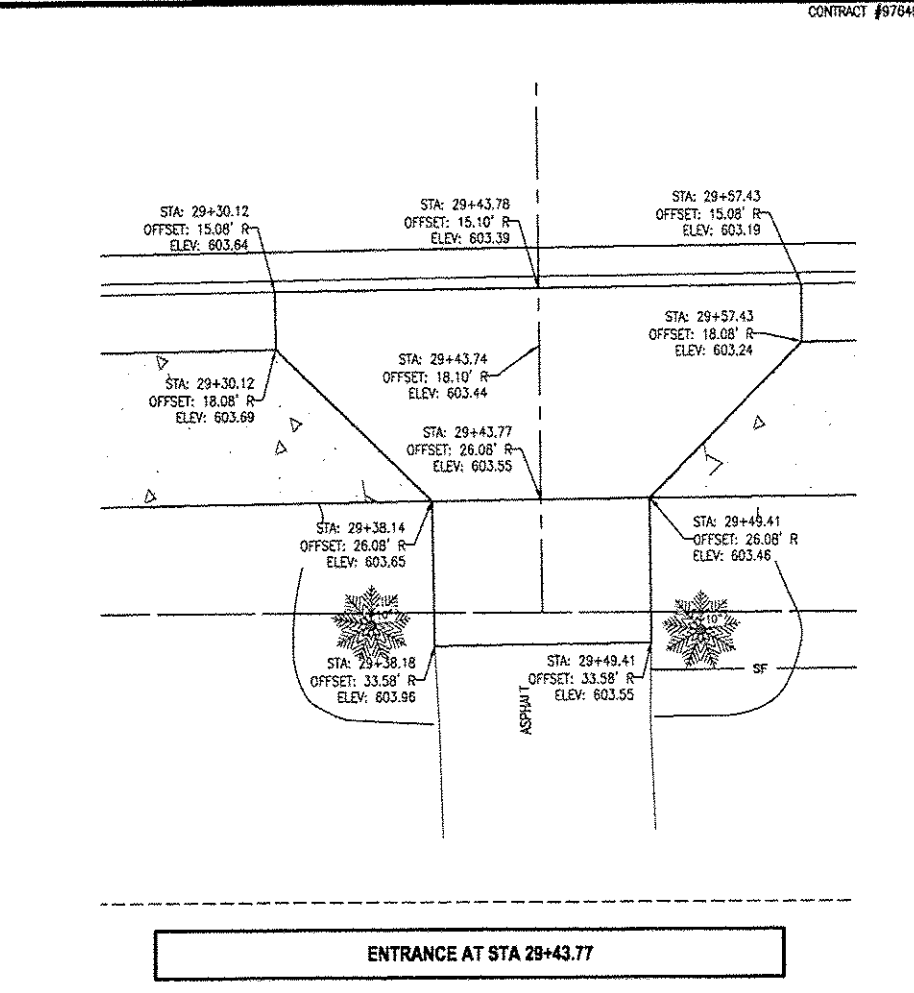
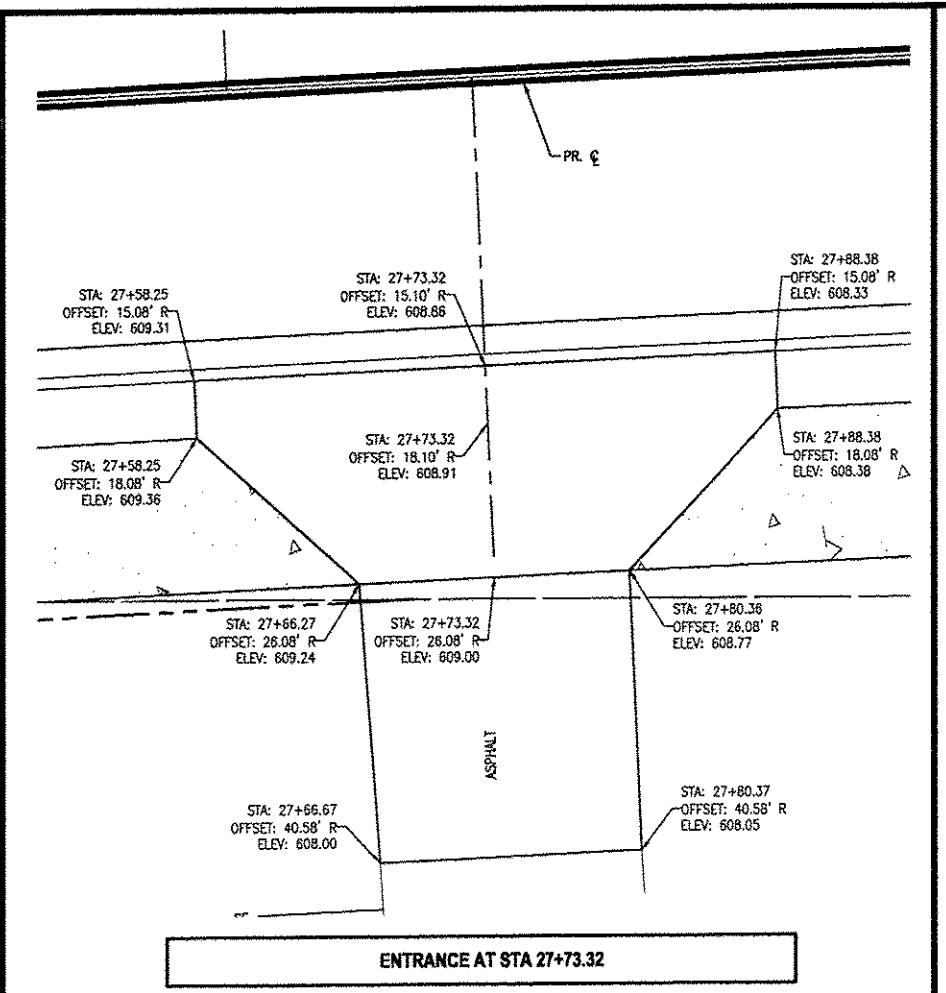
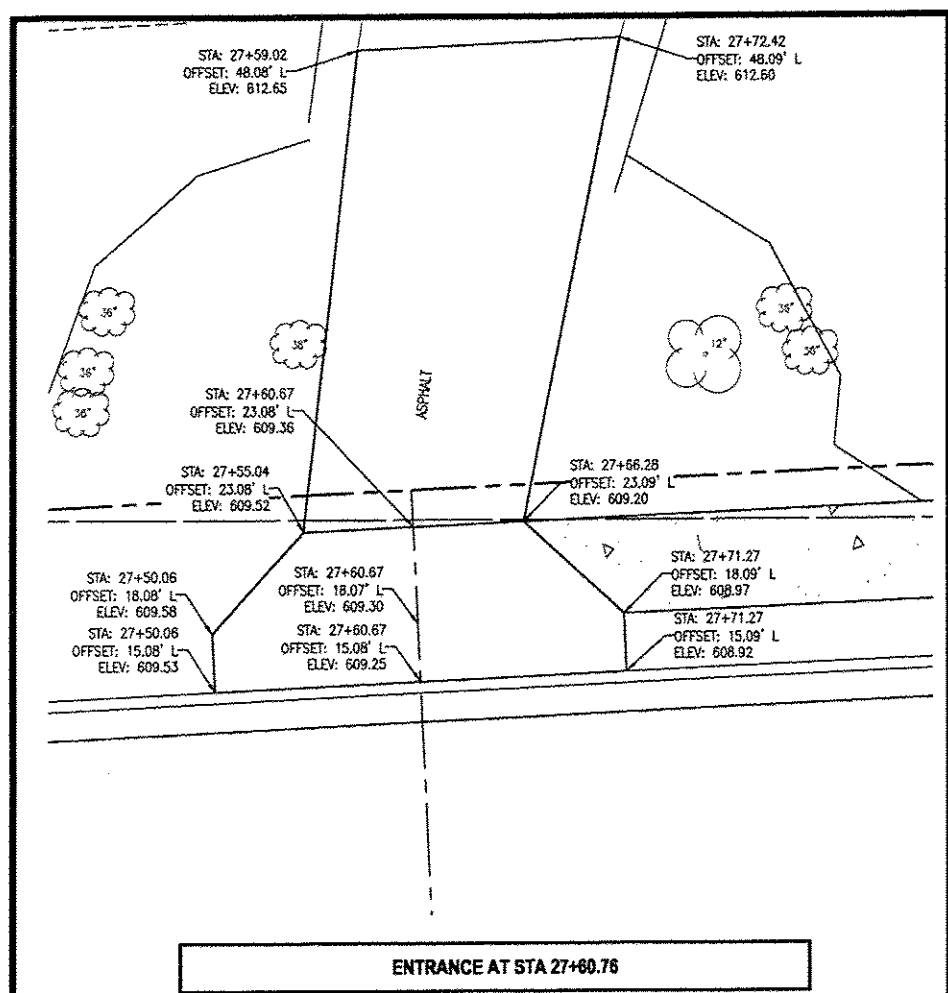
- CORPORATE OFFICE**
4940 OLD COLLINSVILLE RD.
SWANSEA, ILLINOIS 62226
TEL (618) 624-4488
FAX (618) 624-6688
- WATERLOO OFFICE**
113 SOUTH MAIN STREET
WATERLOO, ILLINOIS 62298
TEL (618) 939-5050
FAX (618) 939-3938
- EDWARDSVILLE OFFICE**
600 COUNTRY CLUB VIEW, SUITE 1
EDWARDSVILLE, ILLINOIS 62025
TEL (618) 656-4040
FAX (618) 656-4343
- ST. LOUIS OFFICE**
720 OLIVE ST., SUITE 200A
ST. LOUIS, MISSOURI 63101
TEL (314) 241-6300
FAX (314) 241-2391
- ST. CHARLES OFFICE**
400 N. 5TH STREET, SUITE 101
ST. CHARLES, MISSOURI 63301
TEL (636) 724-8300
FAX (636) 724-8304

PROFESSIONAL REGISTRATIONS	LICENSE NO.
ILLINOIS PROFESSIONAL DESIGN FIRM	184-001228
PROFESSIONAL ENGINEERING FIRM	62-035376
PROFESSIONAL STRUCTURAL ENGR. CORP.	61-005202
ILLINOIS PROF. LAND SURVEYING CORP.	648-000029
MISSOURI PROFESSIONAL ENGR. CORP.	MC 001528
MISSOURI LAND SURVEYING CORP.	MC 000346

SEAL

Signature: _____
Signature Date: _____
Expiration Date: _____

STATEMENT OF RESPONSIBILITY
I hereby confirm that the document herein to be authorized by my seal is restricted to this sheet, and I hereby disclaim any responsibility for all other drawings, specifications, estimates, reports or other documents or instruments relating to or intended to be utilized for any other part of the architectural, engineering or survey project.



TITLE: SHILOH STATION ROAD PHASE 5
ENTRANCE APRONS
15-00011-05-PV

PROJECT: SHILOH STATION ROAD
RECONSTRUCTION - PHASE 5
VILLAGE OF SHILOH
ST. CLAIR COUNTY, ILLINOIS

REV	DATE	DESCRIPTION

DRAWN BY: LEM	SHEET
DESIGNED BY: NTS	16
CHECKED BY: NTS	OF 28 SHEETS
APPROVED BY: NTS	
PROJECT NUMBER: T01150492	SHILOH STATION ROAD PHASE 5

ISSUED FOR REVIEW ISSUED FOR BIDDING
 ISSUED FOR CONSTR. RECORD DRAWING

THOUVENOT, WADE & MOERCHEN, INC.
ENGINEERS • SURVEYORS • PLANNERS



- CORPORATE OFFICE**
4940 OLD COLLINSVILLE RD.
SWANSEA, ILLINOIS 62226
TEL (618) 624-4488
FAX (618) 624-8688
- WATERLOO OFFICE**
113 SOUTH MAIN STREET
WATERLOO, ILLINOIS 62298
TEL (618) 939-5050
FAX (618) 939-3938
- EDWARDSVILLE OFFICE**
600 COUNTRY CLUB VIEW, SUITE 1
EDWARDSVILLE, ILLINOIS 62025
TEL (618) 656-4040
FAX (618) 656-4343
- ST. LOUIS OFFICE**
720 OLIVE ST., SUITE 200A
ST. LOUIS, MISSOURI 63101
TEL (314) 241-6300
FAX (314) 241-2391
- ST. CHARLES OFFICE**
400 N. 5TH STREET, SUITE 101
ST. CHARLES, MISSOURI 63301
TEL (636) 724-8300
FAX (636) 724-8304

PROFESSIONAL REGISTRATIONS	LICENSE NO.
ILLINOIS PROFESSIONAL DESIGN FIRM	184-001220
PROFESSIONAL ENGINEERING CORP.	62-035370
PROFESSIONAL STRUCTURAL ENGR. CORP.	81-065282
ILLINOIS PROF. LAND SURVEYING CORP.	048-000029
MISSOURI PROFESSIONAL ENGR. CORP.	NC 001528
MISSOURI LAND SURVEYING CORP.	NC 003246

SEAL

Signature: _____
Signature Date: _____
Expiration Date: _____

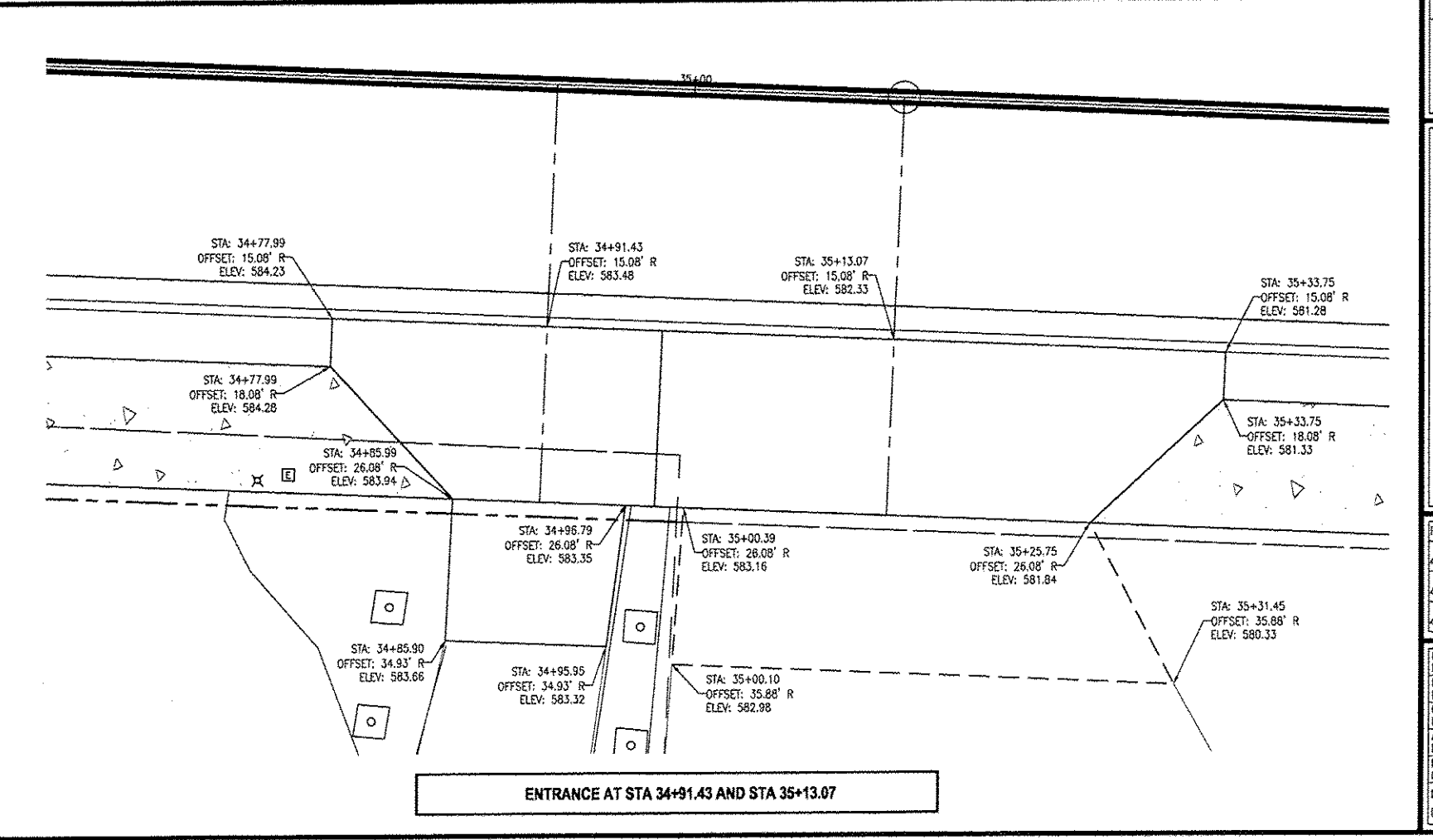
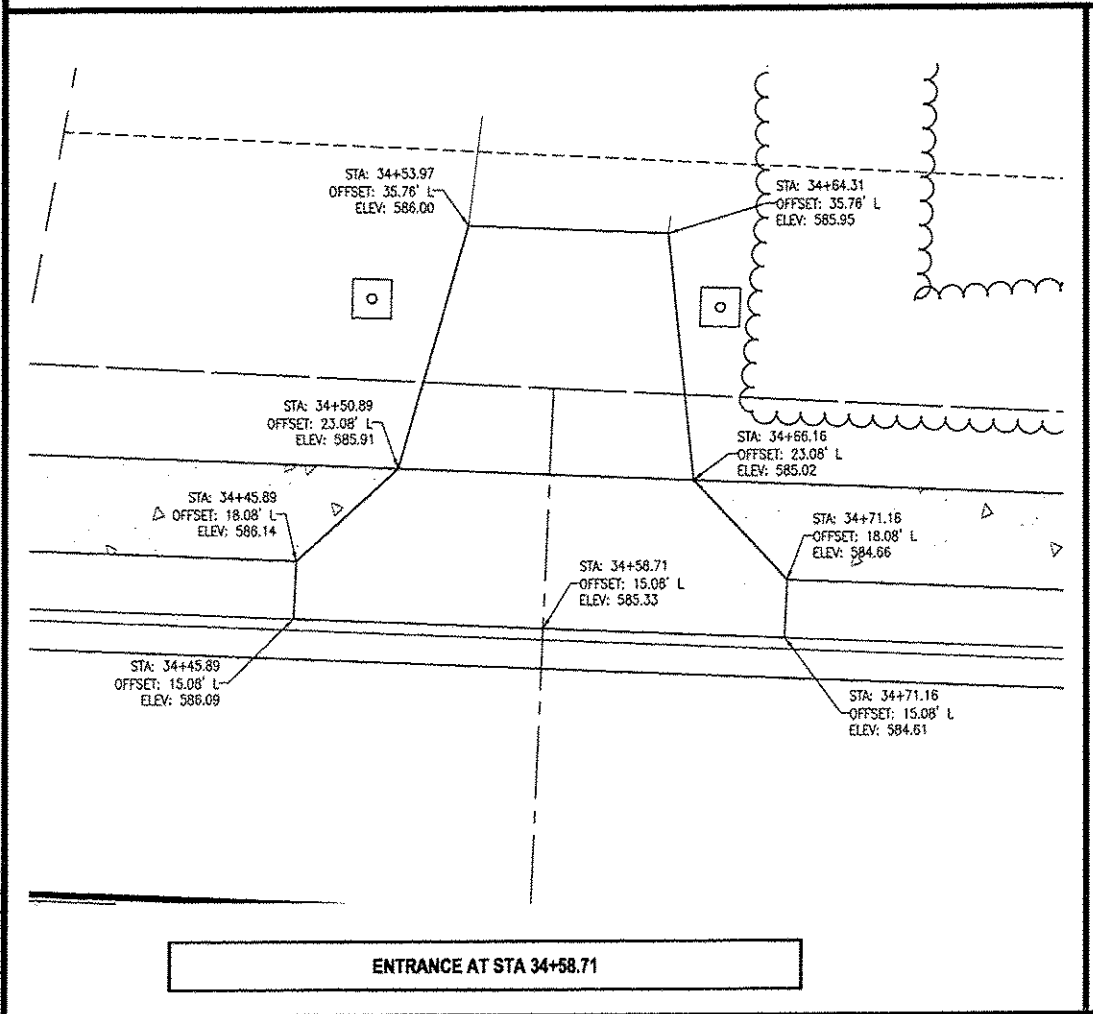
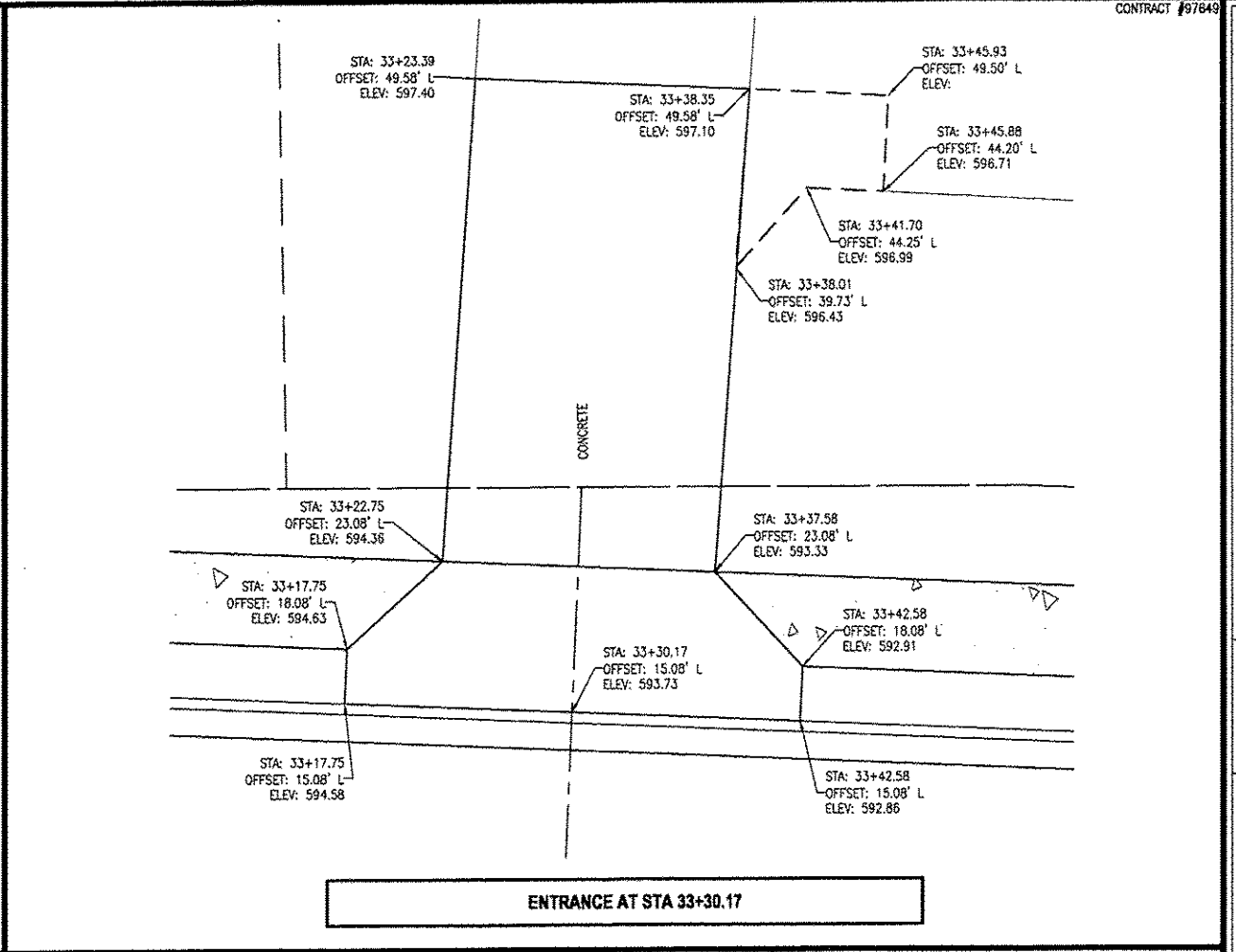
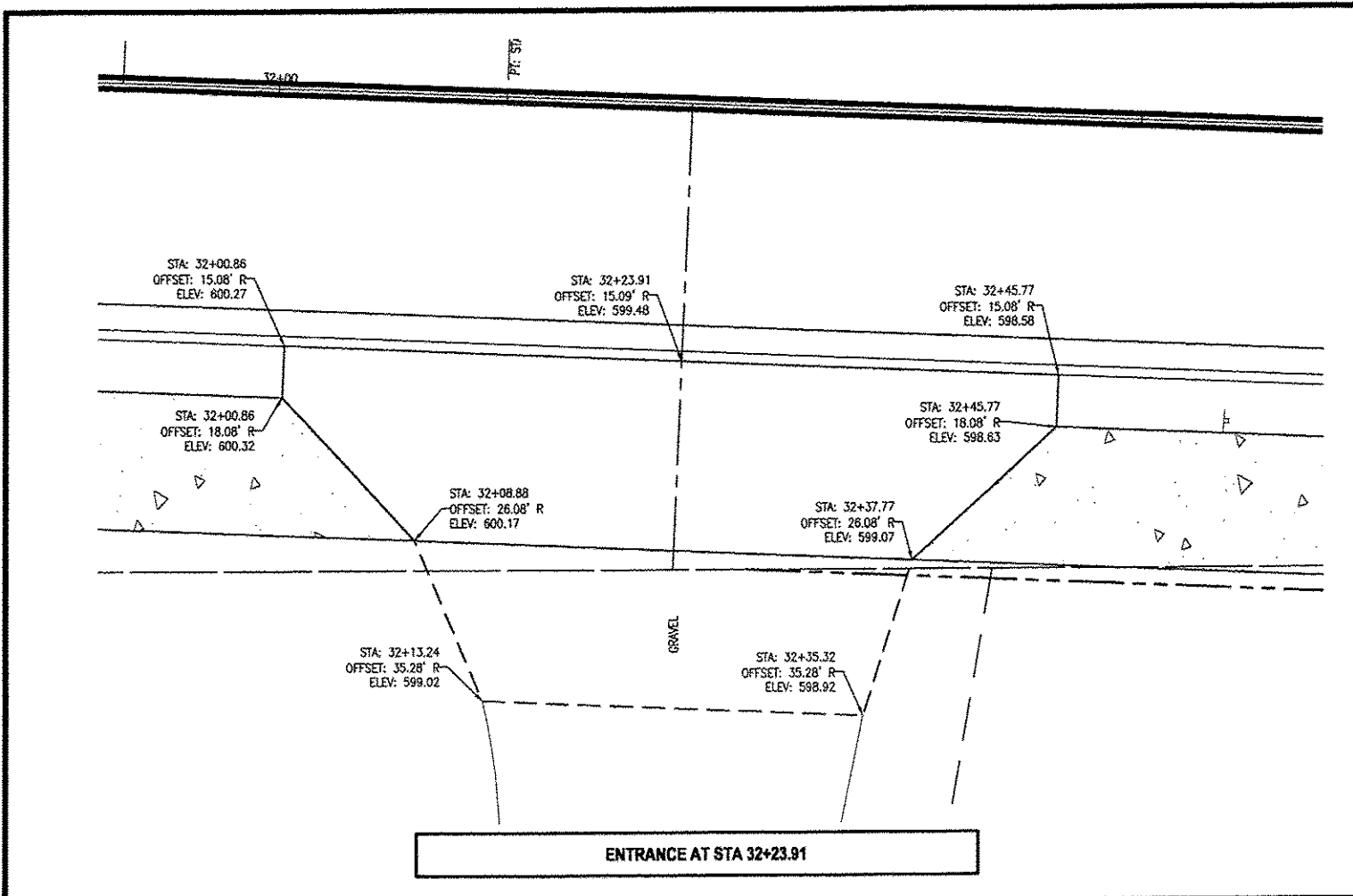
STATEMENT OF RESPONSIBILITY
I hereby confirm that the document herein to be authenticated by my seal is restricted to this sheet, and I hereby disclaim any responsibility for all other drawings, specifications, estimates, reports or other documents or instruments relating to or intended to be utilized for any other part of the architectural, engineering or survey project.

TITLE: SHILOH STATION ROAD PHASE 5
ENTRANCE APRONS
15-0001-05-PV

PROJECT: SHILOH STATION ROAD
RECONSTRUCTION - PHASE 5
VILLAGE OF SHILOH
ST. CLAIR COUNTY, ILLINOIS

REV	DATE	DESCRIPTION

DRAWN BY:	LEM	SHEET
DESIGNED BY:	NTS	17
CHECKED BY:	NTS	OF 28 SHEETS
APPROVED BY:	NTS	
PROJECT NUMBER:	T01150492	SHILOH STATION ROAD PHASE 5
<input checked="" type="checkbox"/> ISSUED FOR REVIEW	<input type="checkbox"/> ISSUED FOR BIDDING	<input type="checkbox"/> RECORD DRAWING
<input type="checkbox"/> ISSUED FOR CONSTR.	<input type="checkbox"/> RECORD DRAWING	



P:\150492\15_0001-05-PV.dwg
Plotted By: barack 3/17/2017 10:42am



- CORPORATE OFFICE**
4940 OLD COLLINSVILLE RD.
SWANSEA, ILLINOIS 62228
TEL (618) 624-4488
FAX (618) 624-9688
- WATERLOO OFFICE**
113 SOUTH MAIN STREET
WATERLOO, ILLINOIS 62298
TEL (618) 939-5050
FAX (618) 939-3938
- EDWARDSVILLE OFFICE**
600 COUNTRY CLUB VIEW, SUITE 1
EDWARDSVILLE, ILLINOIS 62025
TEL (618) 656-4040
FAX (618) 656-4343
- ST. LOUIS OFFICE**
720 OLIVE ST., SUITE 200A
ST. LOUIS, MISSOURI 63101
TEL (314) 241-8300
FAX (314) 241-2391
- ST. CHARLES OFFICE**
400 N. 5TH STREET, SUITE 101
ST. CHARLES, MISSOURI 63301
TEL (636) 724-8300
FAX (636) 724-8304

PROFESSIONAL REGISTRATIONS	LICENSE NO.
ILLINOIS PROFESSIONAL DESIGN FPM	184-001220
PROFESSIONAL ENGINEERING CORP.	02-033370
PROFESSIONAL STRUCTURAL ENGR. CORP.	81-005202
ILLINOIS PROF. LAND SURVEYING CORP.	046-000029
MISSOURI PROFESSIONAL ENGR. CORP.	MC 001528
MISSOURI LAND SURVEYING CORP.	MC 000346

SEAL

Signature: _____
Signature Date: _____
Expiration Date: _____

STATEMENT OF RESPONSIBILITY
I hereby confirm that the document herein to be authenticated by my seal is restricted to this sheet, and I hereby disclaim any responsibility for all other drawings, specifications, estimates, reports or other documents or instruments relating to or intended to be utilized for any other part of the architectural, engineering or survey project.

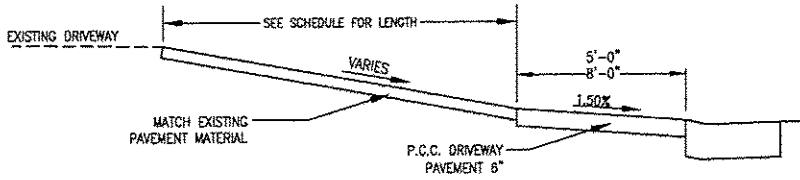
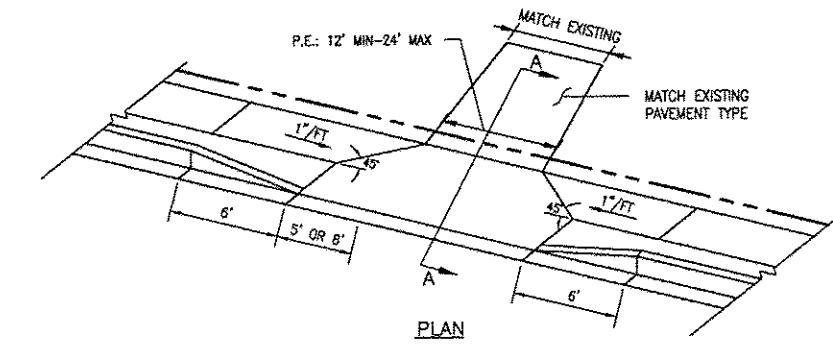
TITLE
SHILOH STATION ROAD PHASE 5
GENERAL NOTES
15-0001-05-PV

PROJECT:
SHILOH STATION ROAD
RECONSTRUCTION - PHASE 5
VILLAGE OF SHILOH
ST. CLAIR COUNTY, ILLINOIS

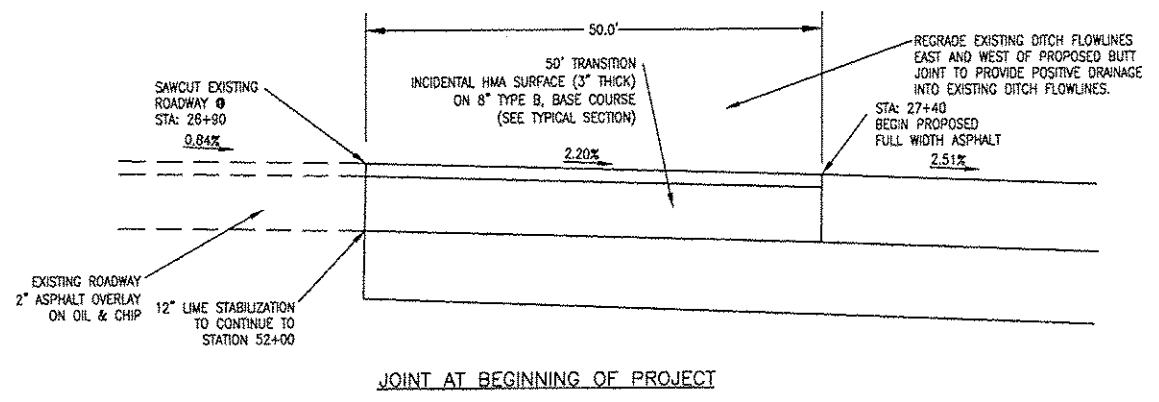
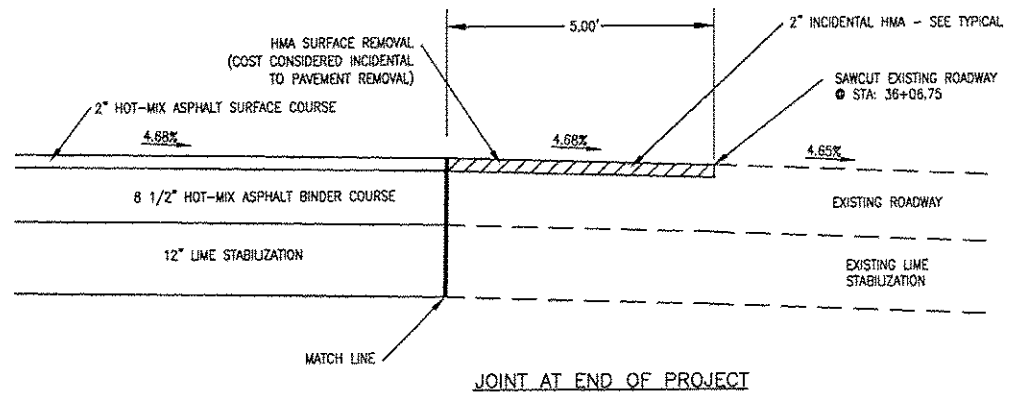
REV	DATE	DESCRIPTION
△		
△		
△		

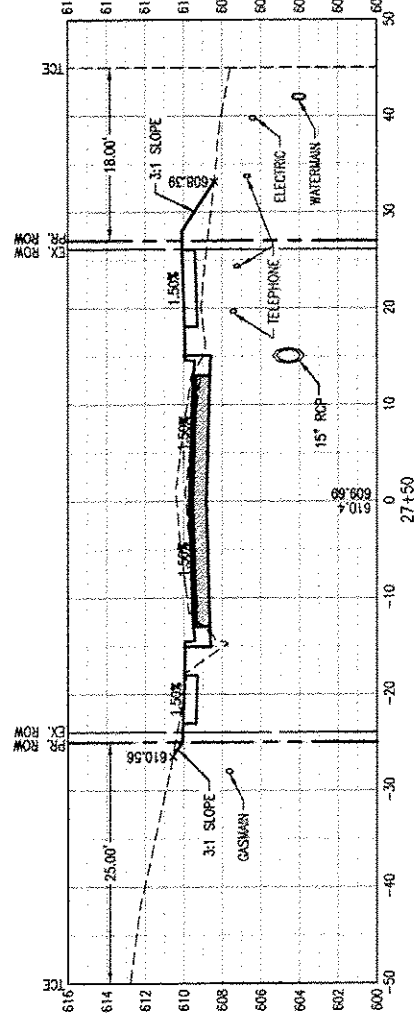
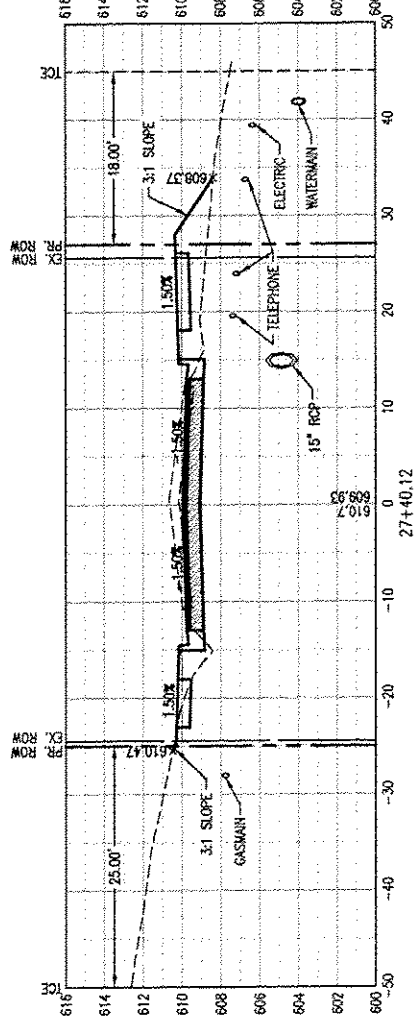
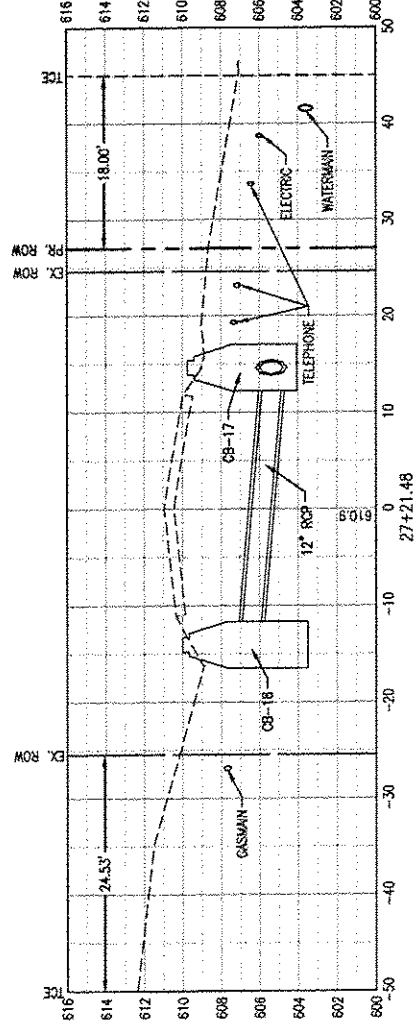
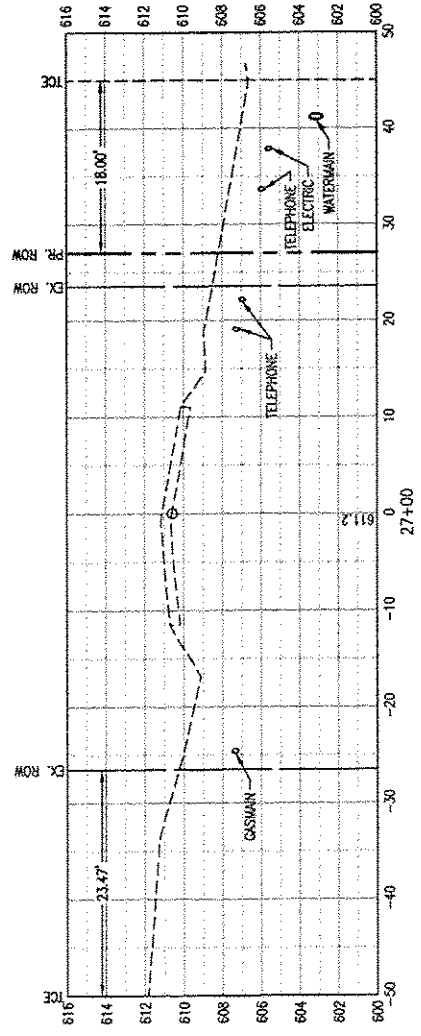
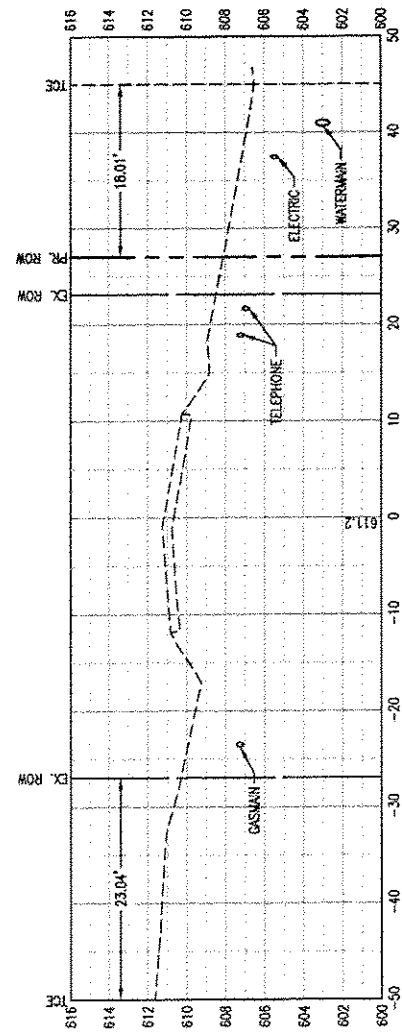
DRAWN BY:	LEW	SHEET	
DESIGNED BY:	NTS	18	
CHECKED BY:	NTS	OF 28 SHEETS	
APPROVED BY:	NTS		
PROJECT NUMBER:	T01150492		SHILOH STATION ROAD PHASE 5
<input checked="" type="checkbox"/> ISSUED FOR REVIEW		<input type="checkbox"/> ISSUED FOR BIDDING	
<input type="checkbox"/> ISSUED FOR CONSTR.		<input type="checkbox"/> RECORD DRAWING	

DETAIL OF PRIVATE ENTRANCES (8' APRON)



- NOTES:
1. CONCRETE DRIVEWAY PAVEMENT MUST BE PLACED EVEN WITH THE BACK OF SIDEWALK
 2. ALL ENTRANCES INTERSECT THE MAINLINE AT 90 DEGREES
 3. INCIDENTAL ASPHALT PAVEMENT TO BE 3" HMA SURFACE ON 8" TYPE B, BASE COURSE
 4. PCC DRIVEWAY PAVEMENT TO BE 6" THICK
 5. AGGREGATE SURFACE COURSE TO BE TYPE A 6"





SCALE
1.5 VERTICAL
1:10 HORIZONTAL

LEGEND
 EX ROW EXISTING RIGHT OF WAY
 PR ROW PROPOSED RIGHT OF WAY
 TC TEMPORARY CONSTRUCTION EASEMENT

NOTES:
 1. ALL STORM SEWER SHOWN IS PROPOSED
 2. ALL OTHER UTILITIES SHOWN ARE EXISTING
 3. DEPTHS AND LOCATION OF EXISTING UTILITIES ARE APPROXIMATE

CONTRACT #97649

THOUVENOT,
WADE &
MOERCHEN, INC.
ENGINEERS • SURVEYORS • PLANNERS



- CORPORATE OFFICE
4940 OLD COLLINSVILLE RD.
SWANSEA, ILLINOIS 62226
TEL (618) 624-4488
FAX (618) 624-6688
- WATERLOO OFFICE
113 SOUTH MAIN STREET
WATERLOO, ILLINOIS 62298
TEL (618) 639-5050
FAX (618) 639-3938
- EDWARDSVILLE OFFICE
600 COUNTRY CLUB VIEW, SUITE 1
EDWARDSVILLE, ILLINOIS 62025
TEL (618) 656-4040
FAX (618) 656-4343
- ST. LOUIS OFFICE
720 OLIVE ST., SUITE 200A
ST. LOUIS, MISSOURI 63101
TEL (314) 241-6300
FAX (314) 241-2391
- ST. CHARLES OFFICE
400 N. 5TH STREET, SUITE 101
ST. CHARLES, MISSOURI 63301
TEL (636) 724-8300
FAX (636) 724-8304

PROFESSIONAL REGISTRATIONS	LICENSE NO.
ILLINOIS PROFESSIONAL DESIGN FIRM	184-001220
PROFESSIONAL ENGINEERING CORP.	62-033370
PROFESSIONAL STRUCTURAL ENGR. CORP.	61-003202
ILLINOIS PROF. LAND SURVEYING CORP.	048-000029
MISSOURI PROFESSIONAL ENGR. CORP.	MC 001528
MISSOURI LAND SURVEYING CORP.	MC 000346

SEAL

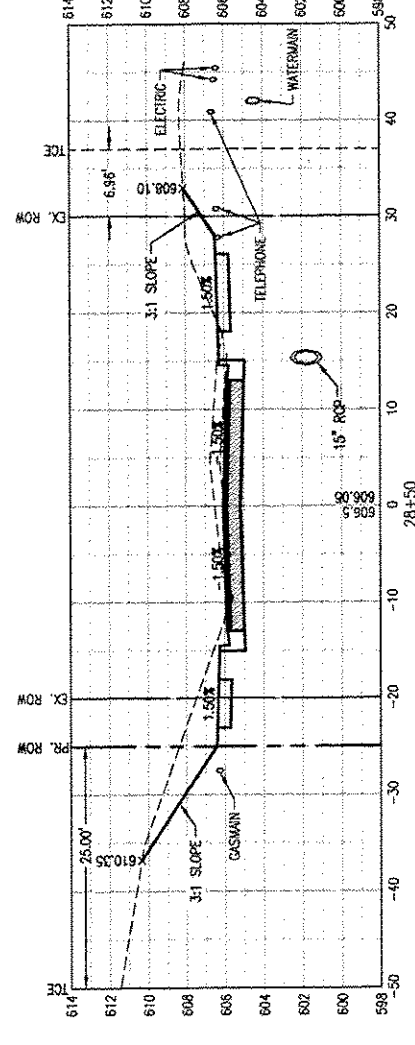
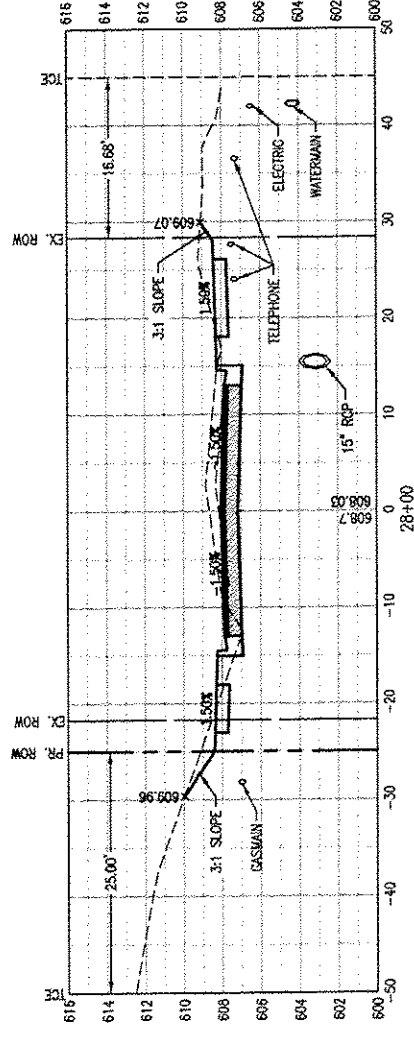
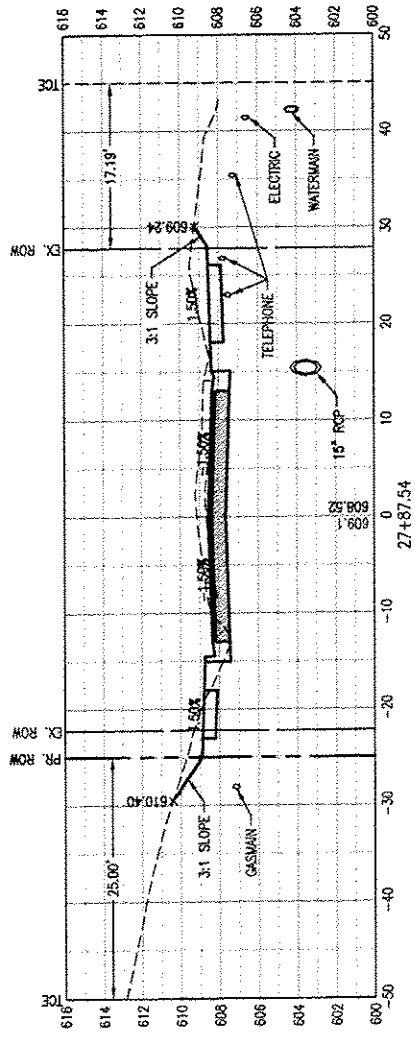
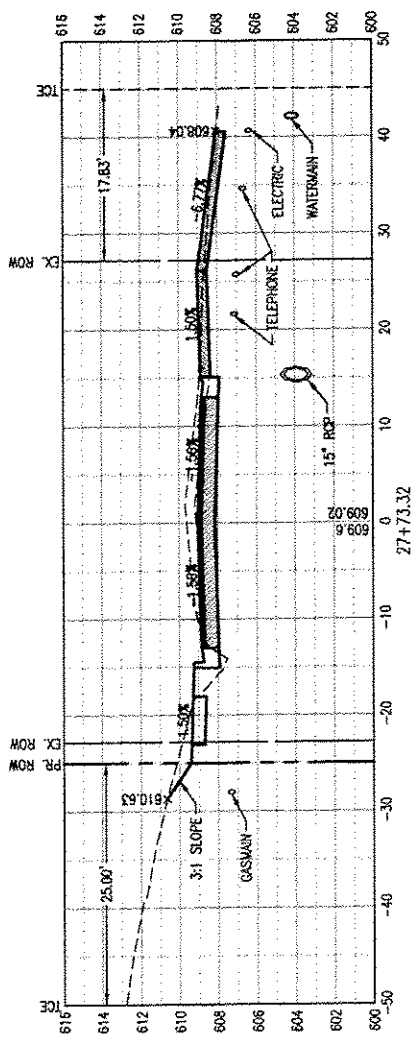
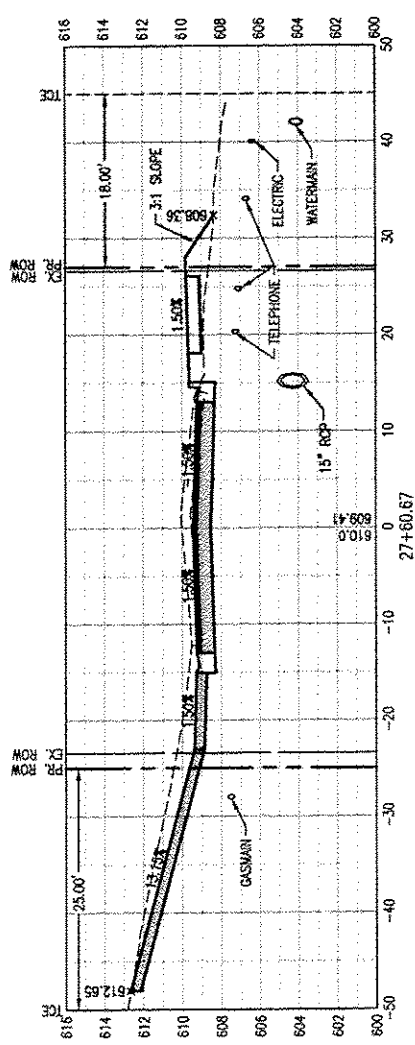
Signature: _____
 Signature Date: _____
 I hereby confirm that the document herein to be authenticated by my seal is restricted to this sheet, and I hereby disclaim any responsibility for all other drawings, specifications, estimates, reports or other documents or instruments relating to or intended to be utilized for any other part of the architectural, engineering or survey project.

TITLE: SHILOH STATION ROAD PHASE 5
CROSS SECTIONS
15-00011-05-PV

PROJECT: SHILOH STATION ROAD
RECONSTRUCTION - PHASE 5
VILLAGE OF SHILOH
ST. CLAIR COUNTY, ILLINOIS

REV	DATE	DESCRIPTION
△		
△		
△		

DRAWN BY: LEM	SHEET
DESIGNED BY: NTS	19
CHECKED BY: NTS	OF 28 SHEETS
APPROVED BY: NTS	SHILOH STATION ROAD PHASE 5
PROJECT NUMBER: T01150492	
<input checked="" type="checkbox"/> ISSUED FOR REVIEW	<input type="checkbox"/> ISSUED FOR BIDDING
<input type="checkbox"/> ISSUED FOR CONSTR.	<input type="checkbox"/> RECORD DRAWING



SCALE
 1/2" VERTICAL
 1/10" HORIZONTAL

LEGEND
 EX. ROW EXISTING RIGHT OF WAY
 PR. ROW PROPOSED RIGHT OF WAY
 TCE TEMPORARY CONSTRUCTION EASEMENT

NOTES:
 1. ALL STORM SEWER SHOWN IS PROPOSED
 2. ALL OTHER UTILITIES SHOWN ARE EXISTING
 3. DEPTHS AND LOCATION OF EXISTING UTILITIES ARE APPROXIMATE

CONTRACT #97649

THOUMENOT, WADE & MOERCHEN, INC.
 ENGINEERS ♦ SURVEYORS ♦ PLANNERS



- ☑ **CORPORATE OFFICE**
 4940 OLD COLLINSVILLE RD.
 SWANSEA, ILLINOIS 62226
 TEL (618) 624-4488
 FAX (618) 624-6688
- ☐ **WATERLOO OFFICE**
 113 SOUTH MAIN STREET
 WATERLOO, ILLINOIS 62298
 TEL (618) 939-5050
 FAX (618) 939-3938
- ☐ **EDWARDSVILLE OFFICE**
 600 COUNTRY CLUB VIEW, SUITE 1
 EDWARDSVILLE, ILLINOIS 62025
 TEL (618) 656-4040
 FAX (618) 656-4343
- ☐ **ST. LOUIS OFFICE**
 720 OLIVE ST., SUITE 200A
 ST. LOUIS, MISSOURI 63101
 TEL (314) 241-6300
 FAX (314) 241-2391
- ☐ **ST. CHARLES OFFICE**
 400 N. 5TH STREET, SUITE 101
 ST. CHARLES, MISSOURI 63301
 TEL (636) 724-8300
 FAX (636) 724-8304

PROFESSIONAL REGISTRATIONS	LICENSE NO.
ILLINOIS PROFESSIONAL DESIGNER FIRM	184-001220
PROFESSIONAL ENGINEERING CORP.	62-035370
PROFESSIONAL STRUCTURAL ENGR. CORP.	61-005202
ILLINOIS PROF. LAND SURVEYING CORP.	046-000029
MISSOURI PROFESSIONAL ENGR. CORP.	NC 001528
MISSOURI LAND SURVEYING CORP.	NC 000246

SEAL

Signature: _____
 Signature Date: _____
 Expiration Date: _____

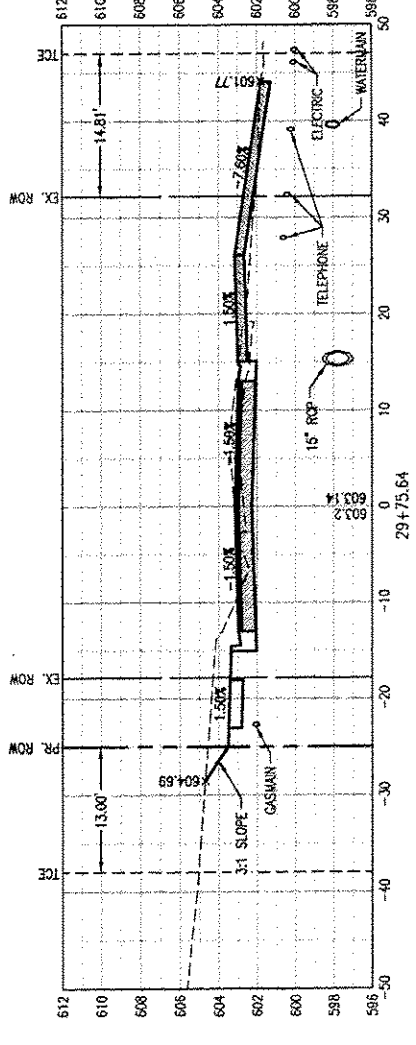
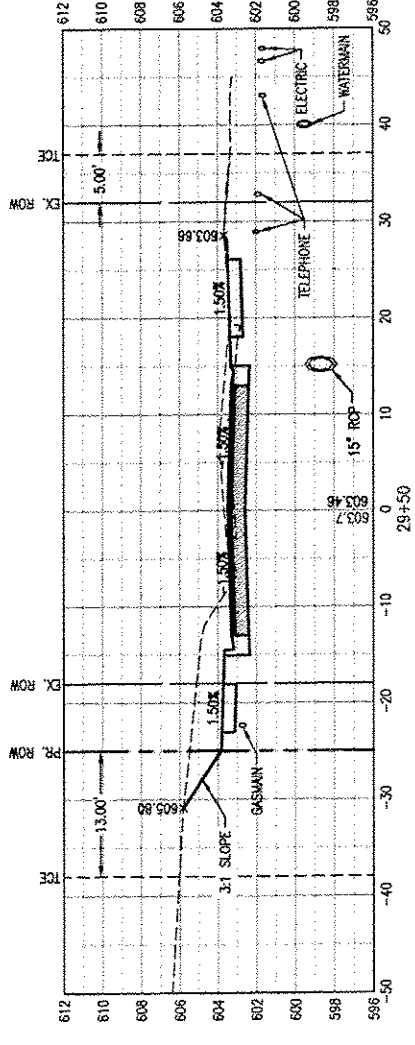
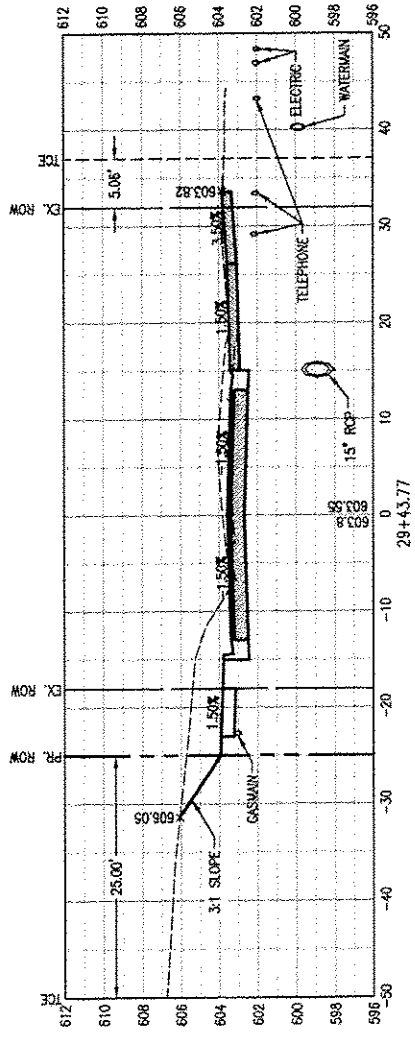
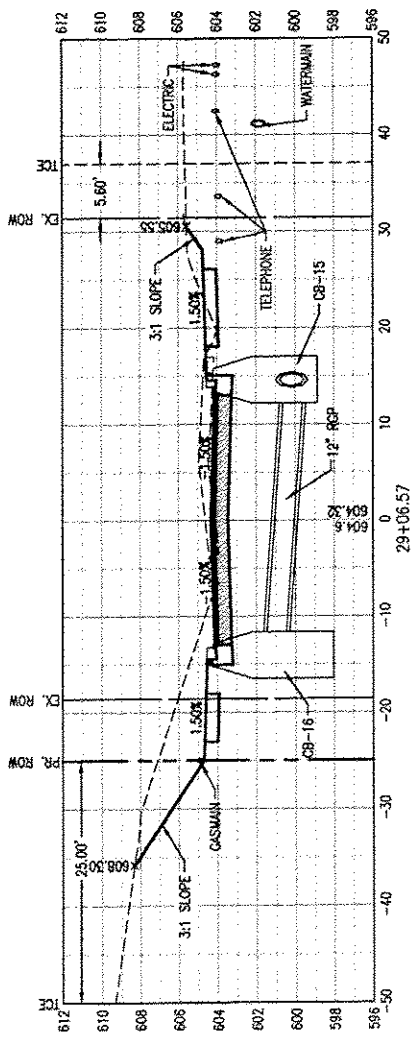
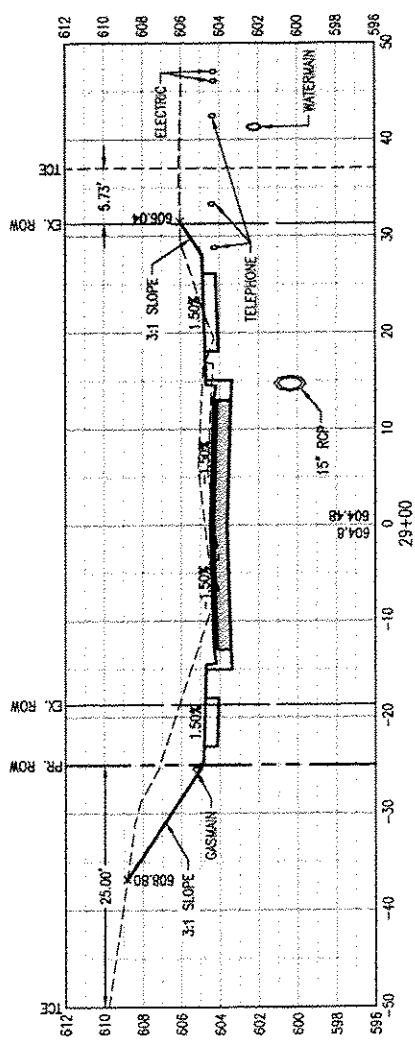
STATEMENT OF RESPONSIBILITY
 I hereby confirm that the document herein to be authenticated by my seal is restricted to this sheet, and I hereby disclaim any responsibility for all other drawings, specifications, estimates, reports or other documents or instruments relating to or intended to be utilized for any other part of the architectural, engineering or survey project.

TITLE: **SHILOH STATION ROAD PHASE 5**
 CROSS SECTIONS
 15-00011-05-PV

PROJECT: **SHILOH STATION ROAD RECONSTRUCTION - PHASE 5**
 VILLAGE OF SHILOH
 ST. CLAIR COUNTY, ILLINOIS

REV	DATE	DESCRIPTION

DRAWN BY: _____	LEM	SHEET
DESIGNED BY: _____	NTS	20
CHECKED BY: _____	NTS	OF 28 SHEETS
APPROVED BY: _____	NTS	SHILOH STATION ROAD PHASE 5
PROJECT NUMBER: T01150492		
<input checked="" type="checkbox"/> ISSUED FOR REVIEW	<input type="checkbox"/> ISSUED FOR BIDDING	
<input type="checkbox"/> ISSUED FOR CONSTR.	<input type="checkbox"/> RECORD DRAWING	



SCALE
 1:5 VERTICAL
 1:10 HORIZONTAL

LEGEND
 EX. ROW = EXISTING RIGHT OF WAY
 PR. ROW = PROPOSED RIGHT OF WAY
 TCE = TEMPORARY CONSTRUCTION EASEMENT

NOTES:
 1. ALL STORM SEWER SHOWN IS PROPOSED
 2. ALL OTHER UTILITIES SHOWN ARE EXISTING
 3. DEPTHS AND LOCATION OF EXISTING UTILITIES ARE APPROXIMATE

THOUVENOT, WADE & MOERCHEN, INC.
 ENGINEERS • SURVEYORS • PLANNERS

TWM

CORPORATE OFFICE
 4940 OLD COLLINSVILLE RD.
 SWANSEA, ILLINOIS 62226
 TEL (618) 624-4488
 FAX (618) 624-6688

WATERLOO OFFICE
 113 SOUTH MAIN STREET
 WATERLOO, ILLINOIS 62298
 TEL (618) 939-5050
 FAX (618) 939-3938

EDWARDSVILLE OFFICE
 600 COUNTRY CLUB VIEW, SUITE 1
 EDWARDSVILLE, ILLINOIS 62025
 TEL (618) 656-4040
 FAX (618) 656-4343

ST. LOUIS OFFICE
 720 OLIVE ST., SUITE 200A
 ST. LOUIS, MISSOURI 63101
 TEL (314) 241-6300
 FAX (314) 241-2391

ST. CHARLES OFFICE
 400 N. 5TH STREET, SUITE 101
 ST. CHARLES, MISSOURI 63301
 TEL (636) 724-8300
 FAX (636) 724-8304

PROFESSIONAL REGISTRATIONS	LICENSE NO.
ILLINOIS PROFESSIONAL DESIGN FIRM	184-001220
ILLINOIS PROFESSIONAL ENGINEERING CORP.	62-035370
PROFESSIONAL STRUCTURAL ENGR. CORP.	81-005202
ILLINOIS PROF. LAND SURVEYING CORP.	048-000029
MISSOURI PROFESSIONAL ENGR. CORP.	NC 001528
MISSOURI LAND SURVEYING CORP.	HC 000346

SEAL

Signature: _____
 Signature Date: _____
 Expiration Date: _____

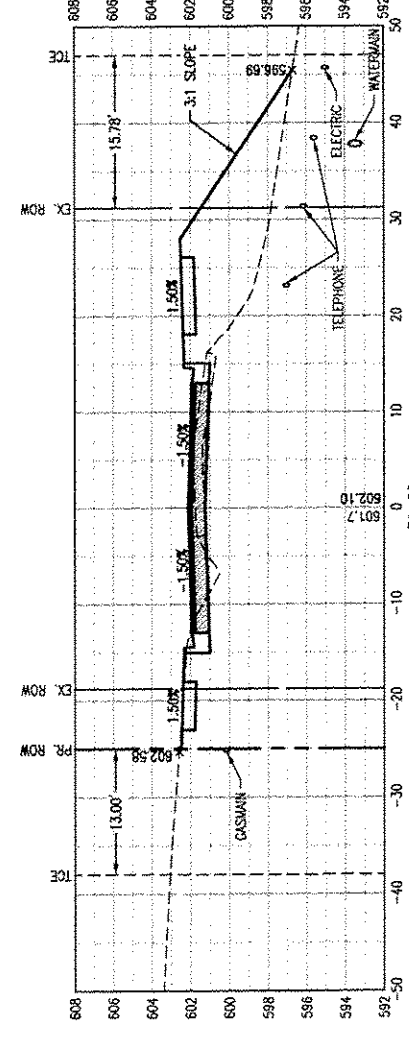
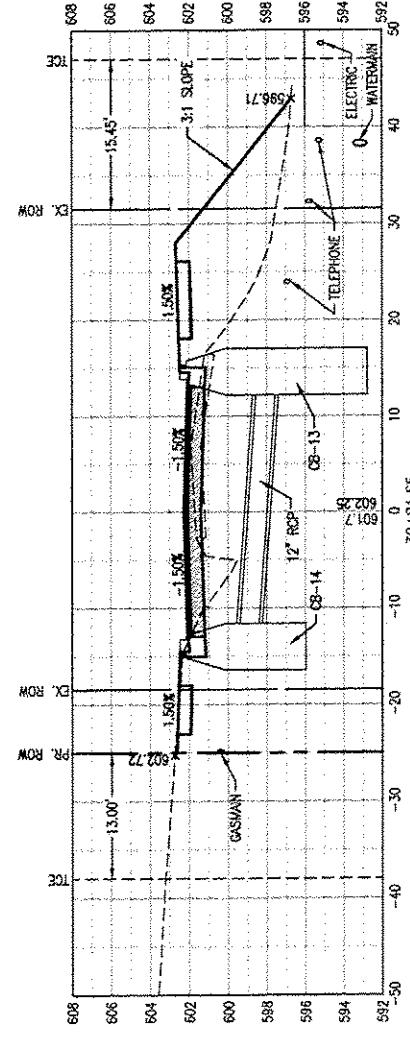
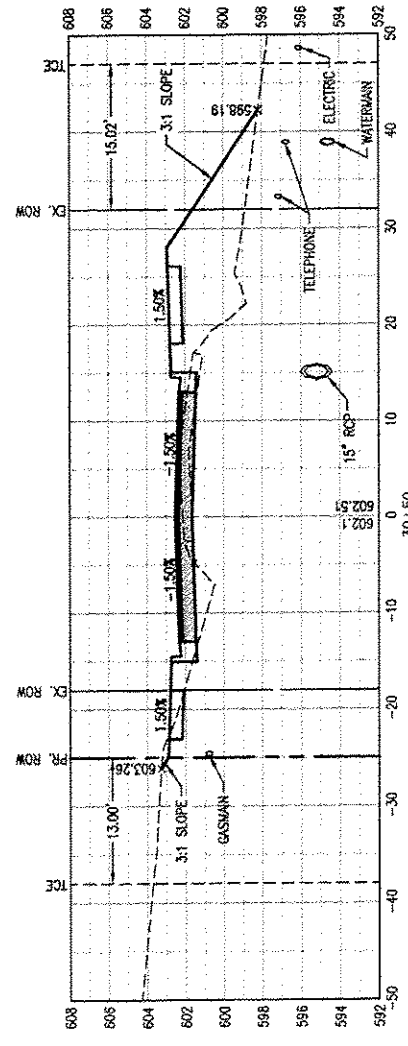
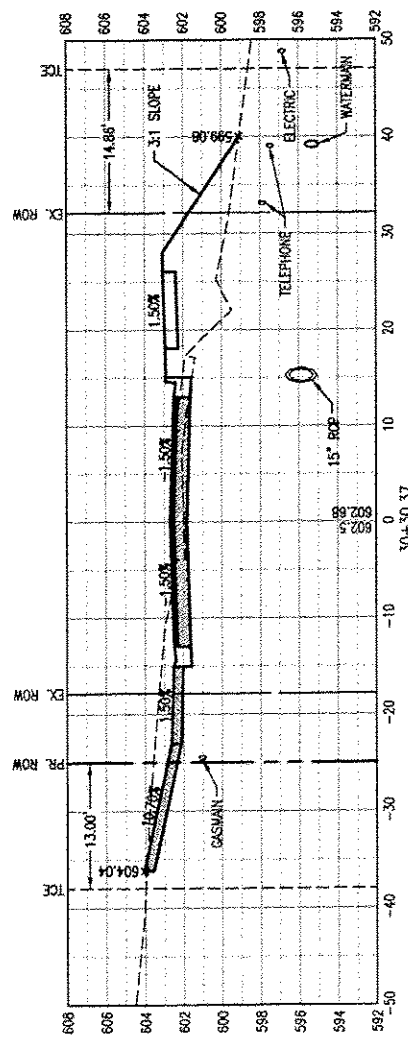
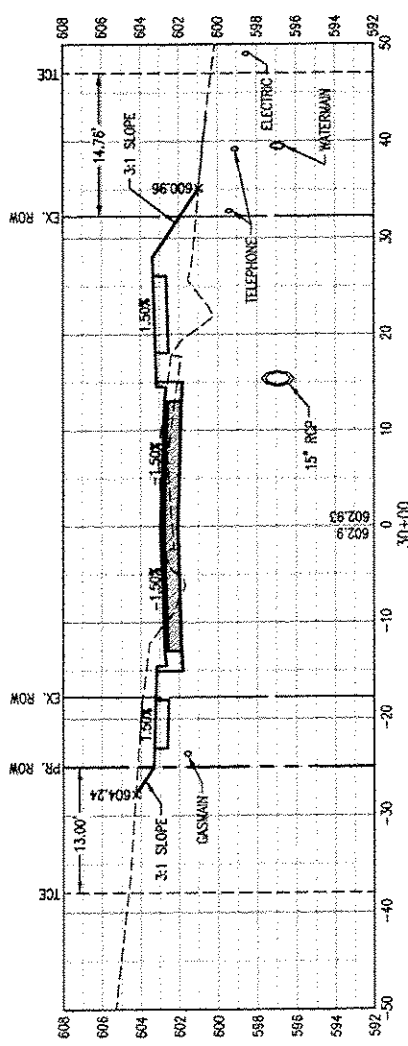
STATEMENT OF RESPONSIBILITY
 I hereby confirm that the document herein to be authorized by my seal is restricted to this sheet, and I hereby disclaim any responsibility for all other drawings, specifications, estimates, reports or other documents or instruments relating to or intended to be utilized for any other part of the architectural, engineering or survey project.

TITLE
 SHILOH STATION ROAD PHASE 5
 CROSS SECTIONS
 15-00011-05-PV

PROJECT
 SHILOH STATION ROAD
 RECONSTRUCTION - PHASE 5
 VILLAGE OF SHILOH
 ST. CLAIR COUNTY, ILLINOIS

REV	DATE	DESCRIPTION

DRAWN BY: LEM	SHEET
DESIGNED BY: NTS	21
CHECKED BY: NTS	OF 28 SHEETS
APPROVED BY: NTS	SHILOH STATION ROAD PHASE 5
PROJECT NUMBER: T01150492	
<input checked="" type="checkbox"/> ISSUED FOR REVIEW	<input type="checkbox"/> ISSUED FOR BIDDING
<input type="checkbox"/> ISSUED FOR CONSTR.	<input type="checkbox"/> RECORD DRAWING



SCALE
 1/4\"/>

LEGEND
 EX. ROW EXISTING RIGHT OF WAY
 PR. ROW PROPOSED RIGHT OF WAY
 TCE TEMPORARY CONSTRUCTION EASEMENT

NOTES:
 1. ALL STORM SEWER SHOWN IS PROPOSED
 2. ALL OTHER UTILITIES SHOWN ARE EXISTING
 3. DEPTHS AND LOCATION OF EXISTING UTILITIES ARE APPROXIMATE

THOUVENOT, WADE & MOERCHEN, INC.
 ENGINEERS ♦ SURVEYORS ♦ PLANNERS

TWM

CORPORATE OFFICE
 4940 OLD COLLINSVILLE RD.
 SWANSEA, ILLINOIS 62226
 TEL (618) 624-4488
 FAX (618) 624-6688

WATERLOO OFFICE
 113 SOUTH MAIN STREET
 WATERLOO, ILLINOIS 62298
 TEL (618) 939-5050
 FAX (618) 939-3938

EDWARDSVILLE OFFICE
 600 COUNTRY CLUB VIEW, SUITE 1
 EDWARDSVILLE, ILLINOIS 62025
 TEL (618) 656-4040
 FAX (618) 656-4343

ST. LOUIS OFFICE
 720 OLIVE ST., SUITE 200A
 ST. LOUIS, MISSOURI 63101
 TEL (314) 241-6300
 FAX (314) 241-2391

ST. CHARLES OFFICE
 400 N. 5TH STREET, SUITE 101
 ST. CHARLES, MISSOURI 63301
 TEL (636) 724-8300
 FAX (636) 724-8304

PROFESSIONAL REGISTRATIONS	LICENSE NO.
ILLINOIS PROFESSIONAL DESIGN FIRM	184-001229
PROFESSIONAL ENGINEERING CORP.	02-053370
PROFESSIONAL STRUCTURAL ENGR. CORP.	81-005202
ILLINOIS PROF. LAND SURVEYING CORP.	048-000029
MISSOURI PROFESSIONAL ENGR. CORP.	MC 001528
MISSOURI LAND SURVEYING CORP.	MC 000346

SEAL

Signature: _____
 Signature Date: _____
 Expiration Date: _____

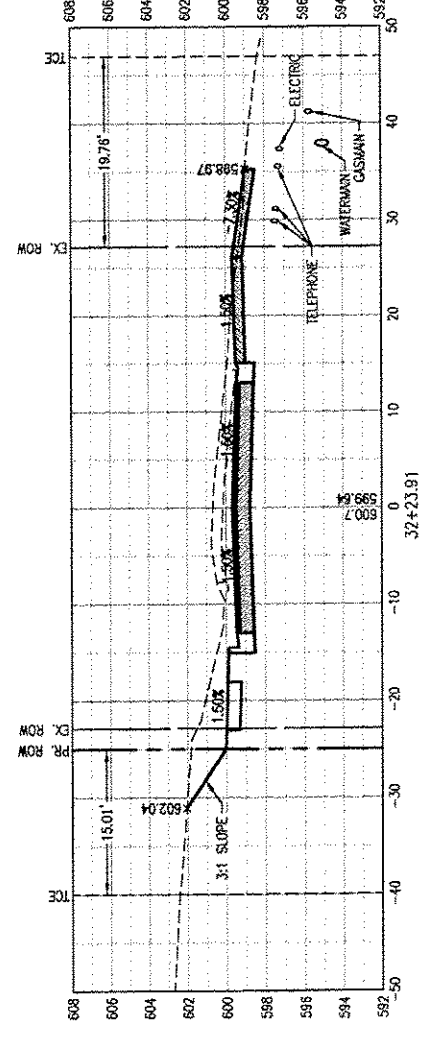
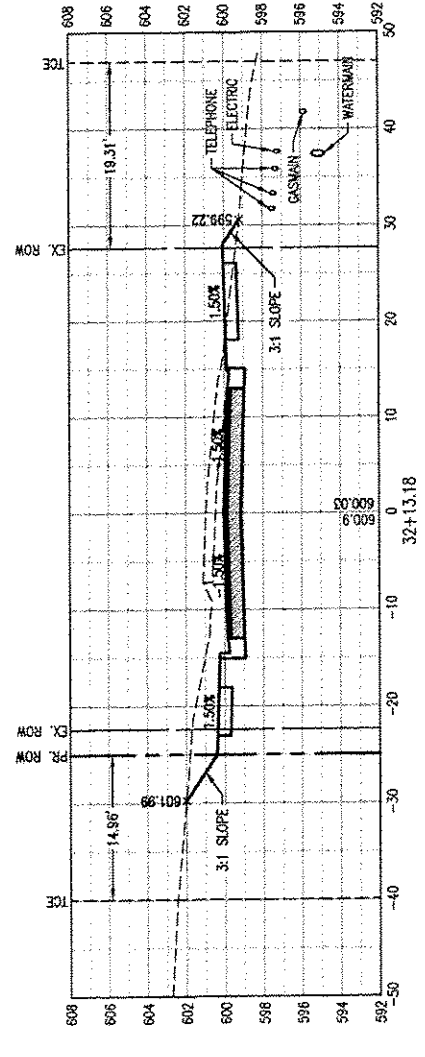
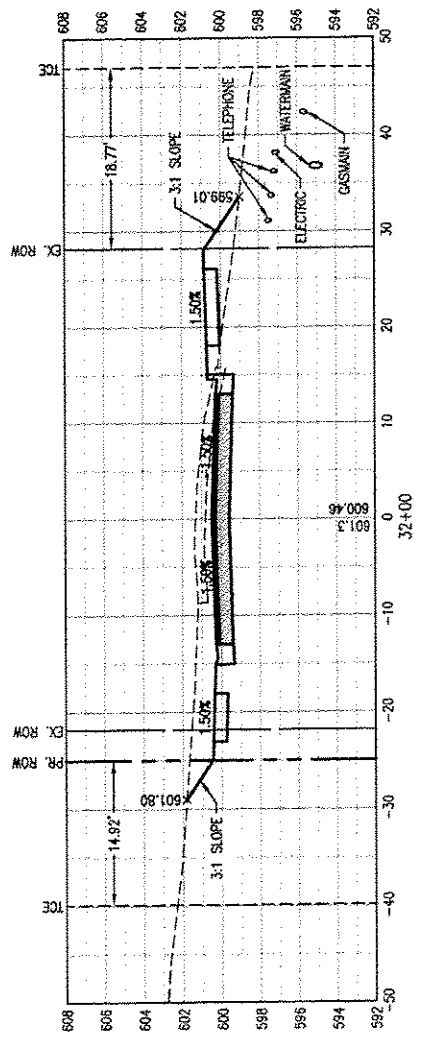
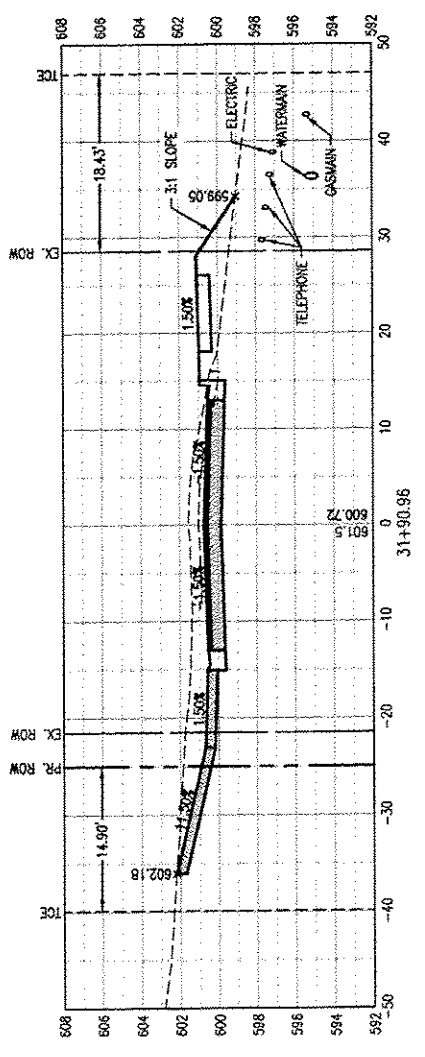
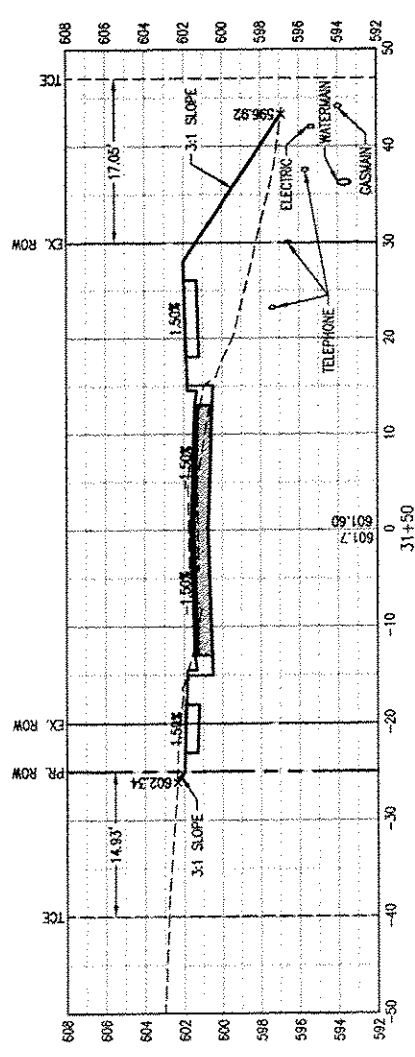
STATEMENT OF RESPONSIBILITY
 I hereby confirm that the document herein to be authenticated by my seal is restricted to this sheet, and I hereby disclaim any responsibility for all other drawings, specifications, estimates, reports or other documents or instruments relating to or intended to be utilized for any other part of the architectural, engineering or survey project.

TITLE: **SHILOH STATION ROAD PHASE 5**
 CROSS SECTIONS
 15-00011-05-PV

PROJECT: **SHILOH STATION ROAD RECONSTRUCTION - PHASE 5**
 VILLAGE OF SHILOH
 ST. CLAIR COUNTY, ILLINOIS

REV	DATE	DESCRIPTION

DRAWN BY: LEM	SHEET
DESIGNED BY: NTS	22
CHECKED BY: NTS	OF 28 SHEETS
APPROVED BY: NTS	SHILOH STATION ROAD PHASE 5
PROJECT NUMBER: T01150492	
<input checked="" type="checkbox"/> ISSUED FOR REVIEW	<input type="checkbox"/> ISSUED FOR BIDDING
<input type="checkbox"/> ISSUED FOR CONSTR.	<input type="checkbox"/> RECORD DRAWING



SCALE
 1:5 VERTICAL
 1:10 HORIZONTAL

LEGEND
 [Symbol] EXISTING RIGHT OF WAY
 [Symbol] PROPOSED RIGHT OF WAY
 [Symbol] TEMPORARY CONSTRUCTION EASEMENT

NOTES:
 1. ALL STORM SEWER SHOWN IS PROPOSED
 2. ALL OTHER UTILITIES SHOWN ARE EXISTING
 3. DEPTHS AND LOCATION OF EXISTING UTILITIES ARE APPROXIMATE

THOUVENOT, WADE & MOERCHEN, INC.
 ENGINEERS • SURVEYORS • PLANNERS

TWM

CORPORATE OFFICE
 4940 OLD COLLINSVILLE RD.
 SWANSEA, ILLINOIS 62226
 TEL (618) 624-4488
 FAX (618) 624-6688

WATERLOO OFFICE
 113 SOUTH MAIN STREET
 WATERLOO, ILLINOIS 62298
 TEL (618) 939-5050
 FAX (618) 939-3938

EDWARDSVILLE OFFICE
 800 COUNTRY CLUB VIEW, SUITE 1
 EDWARDSVILLE, ILLINOIS 62025
 TEL (618) 656-4040
 FAX (618) 656-4343

ST. LOUIS OFFICE
 720 OLIVE ST., SUITE 200A
 ST. LOUIS, MISSOURI 63101
 TEL (314) 241-6300
 FAX (314) 241-2391

ST. CHARLES OFFICE
 400 N. 5TH STREET, SUITE 101
 ST. CHARLES, MISSOURI 63301
 TEL (636) 724-8300
 FAX (636) 724-8304

PROFESSIONAL REGISTRATIONS	LICENSE NO.
ILLINOIS PROFESSIONAL DESIGN FIRM	194-01229
PROFESSIONAL ENGINEERING CORP.	62-033370
PROFESSIONAL STRUCTURAL ENGR. CORP.	81-005072
ILLINOIS PROF. LAND SURVEYING CORP.	048-000029
MISSOURI PROFESSIONAL ENGR. CORP.	NC 001528
MISSOURI LAND SURVEYING CORP.	NC 000346

SEAL

Signature: _____
 Signature Date: _____
 Expiration Date: _____

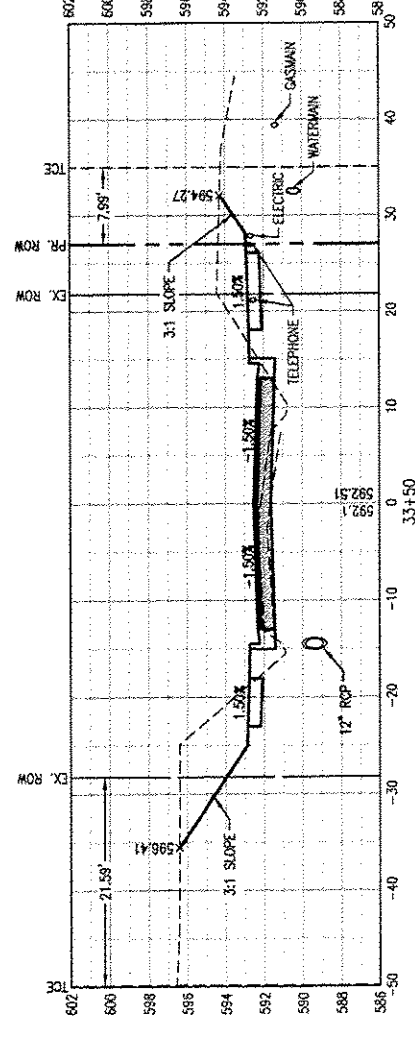
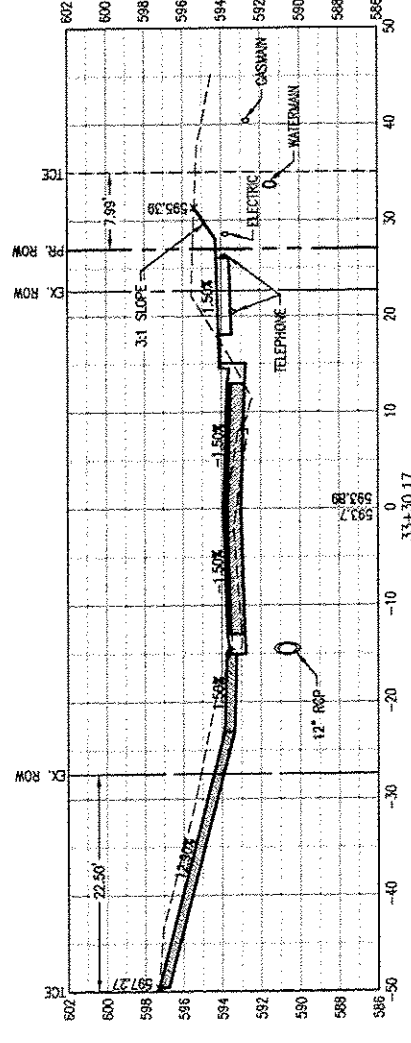
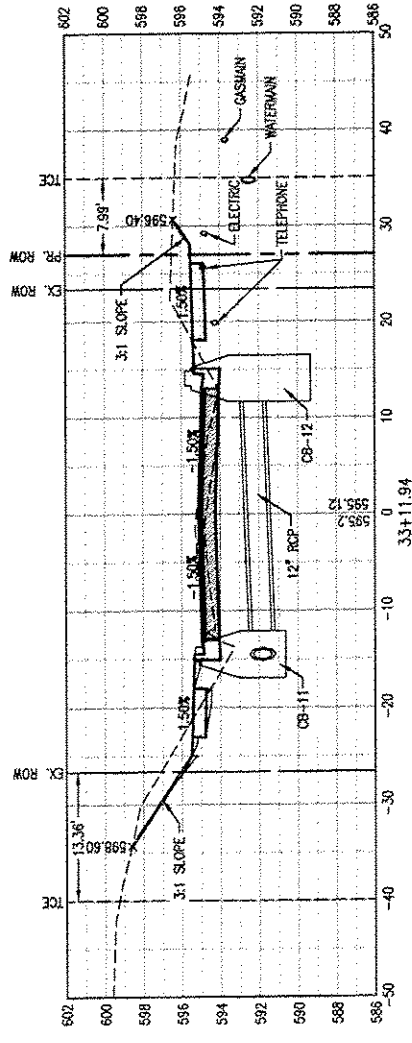
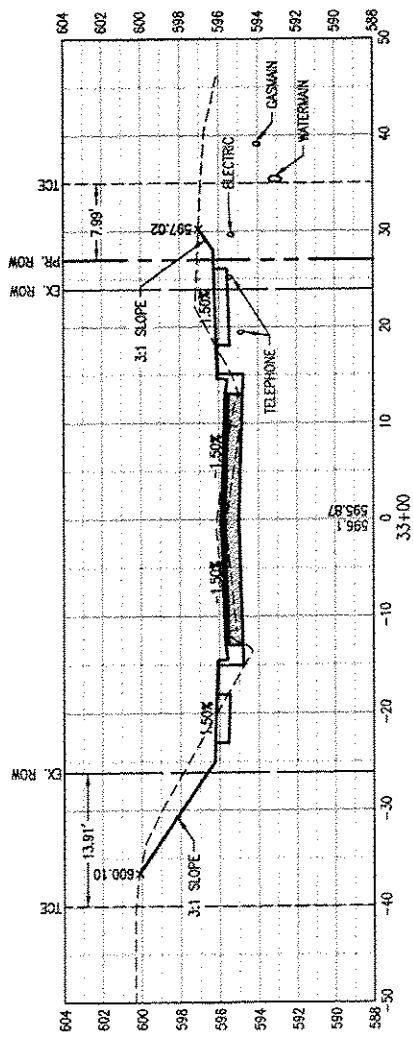
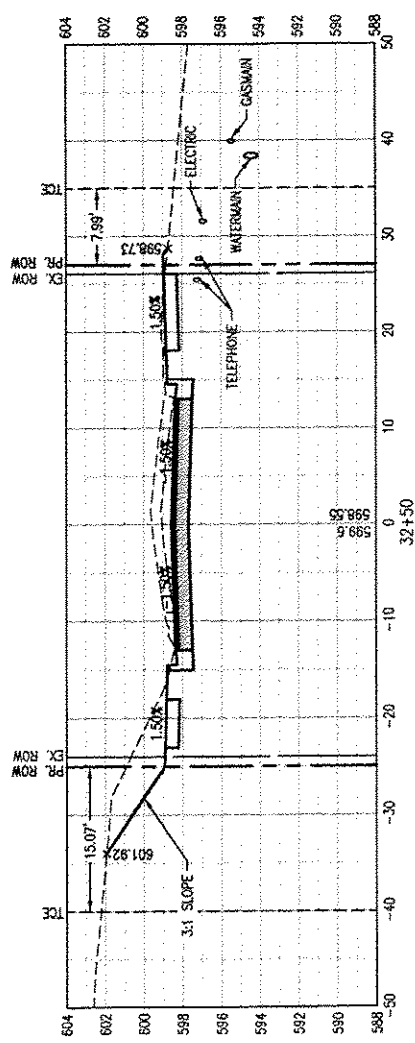
STATEMENT OF RESPONSIBILITY
 I hereby confirm that the document herein to be authenticated by my seal is restricted to this sheet, and I hereby disclaim any responsibility for all other drawings, specifications, estimates, reports or other documents or instruments relating to or intended to be utilized for any other part of the architectural, engineering or survey project.

TITLE: SHILOH STATION ROAD PHASE 5
 CROSS SECTIONS
 15-00011-05-PV

PROJECT: SHILOH STATION ROAD
 RECONSTRUCTION - PHASE 5
 VILLAGE OF SHILOH
 ST. CLAIR COUNTY, ILLINOIS

REV	DATE	DESCRIPTION

DRAWN BY: LEM	SHEET
DESIGNED BY: NTS	23
CHECKED BY: NTS	OF 28 SHEETS
APPROVED BY: NTS	SHILOH STATION ROAD PHASE 5
PROJECT NUMBER: T01150492	
<input checked="" type="checkbox"/> ISSUED FOR REVIEW	<input type="checkbox"/> ISSUED FOR BIDDING
<input type="checkbox"/> ISSUED FOR CONSTR.	<input type="checkbox"/> RECORD DRAWING



SCALE
 1/8" VERTICAL
 1:10 HORIZONTAL

LEGEND
 EX. ROW = EXISTING RIGHT OF WAY
 PR. ROW = PROPOSED RIGHT OF WAY
 TDE = TEMPORARY CONSTRUCTION EASEMENT

NOTES:
 1. ALL STORM SEWER SHOWN IS PROPOSED
 2. ALL OTHER UTILITIES SHOWN ARE EXISTING
 3. DEPTHS AND LOCATION OF EXISTING UTILITIES ARE APPROXIMATE

THOUVENOT,
 WADE &
 MOERCHEN, INC.
 ENGINEERS • SURVEYORS • PLANNERS



- CORPORATE OFFICE
 4940 OLD COLLINSVILLE RD.
 SWANSEA, ILLINOIS 62226
 TEL (618) 624-4488
 FAX (618) 624-6888
- WATERLOO OFFICE
 113 SOUTH MAIN STREET
 WATERLOO, ILLINOIS 62298
 TEL (618) 939-5050
 FAX (618) 939-3938
- EDWARDSVILLE OFFICE
 800 COUNTRY CLUB VIEW, SUITE 1
 EDWARDSVILLE, ILLINOIS 62025
 TEL (618) 856-4040
 FAX (618) 656-4343
- ST. LOUIS OFFICE
 720 OLIVE ST., SUITE 200A
 ST. LOUIS, MISSOURI 63101
 TEL (314) 241-6300
 FAX (314) 241-2391
- ST. CHARLES OFFICE
 400 N. 5TH STREET, SUITE 101
 ST. CHARLES, MISSOURI 63301
 TEL (636) 724-8300
 FAX (636) 724-8304

PROFESSIONAL REGISTRATIONS	LICENSE NO.
ILLINOIS PROFESSIONAL DESIGN FIRM	184-00120
PROFESSIONAL ENGINEERING CORP.	62-03570
PROFESSIONAL STRUCTURAL ENGR. CORP.	81-00502
ILLINOIS PROF. LAND SURVEYING CORP.	048-00029
MISSOURI PROFESSIONAL ENGR. CORP.	NC 001528
MISSOURI LAND SURVEYING CORP.	NC 000348

Signature: _____
 Signature Date: _____
 Statement Date: _____
STATEMENT OF RESPONSIBILITY
 I hereby confirm that the document herein to be
 authenticated by my seal is restricted to this sheet,
 and I hereby disclaim any responsibility for all other
 drawings, specifications, estimates, reports or other
 documents or instruments relating to or intended to
 be utilized for any other part of the architectural,
 engineering or survey project.

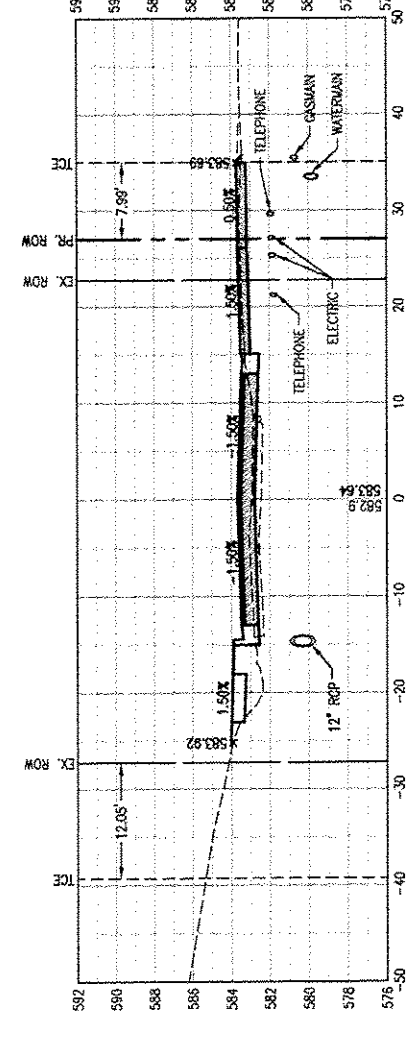
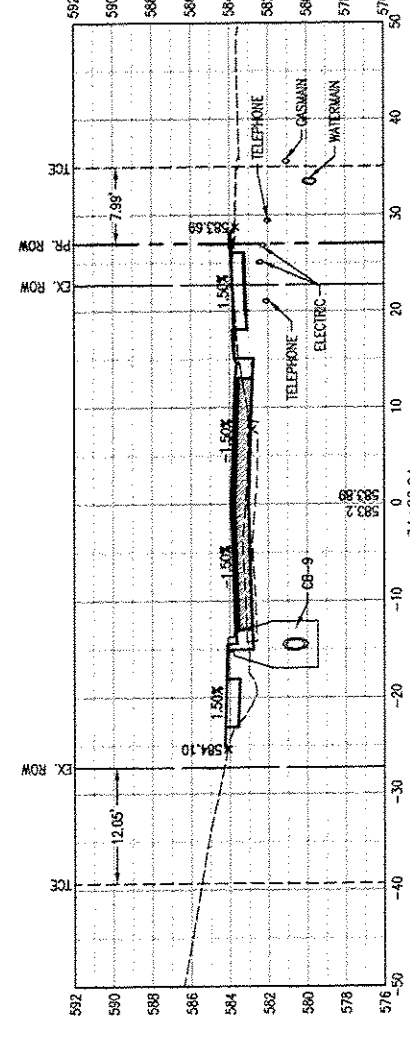
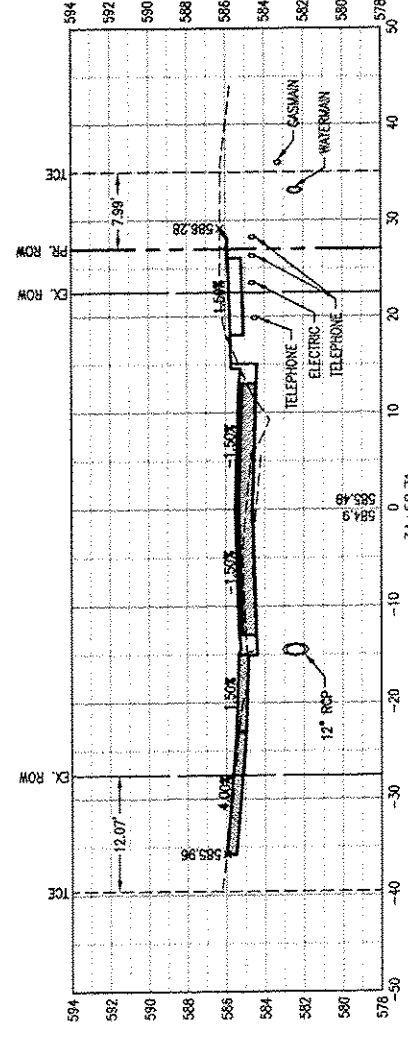
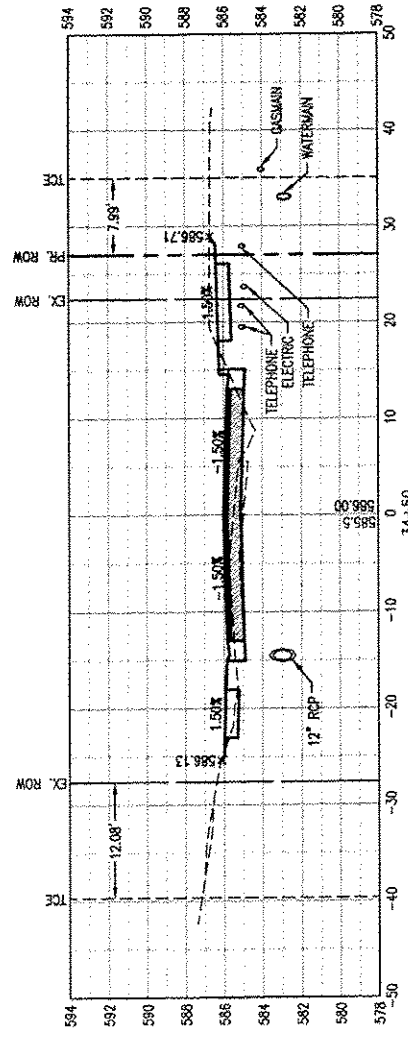
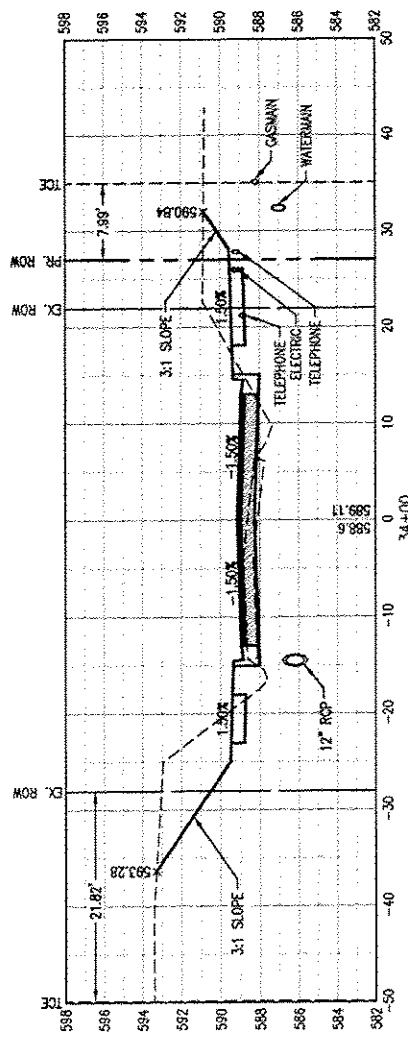
TITLE: **SHILOH STATION ROAD PHASE 5
 CROSS SECTIONS
 15-0001-05-PV**

PROJECT: **SHILOH STATION ROAD
 RECONSTRUCTION - PHASE 5
 VILLAGE OF SHILOH
 ST. CLAIR COUNTY, ILLINOIS**

REV.	DATE	DESCRIPTION

DRAWN BY: _____	LEM	SHEET
DESIGNED BY: _____	NTS	24
CHECKED BY: _____	NTS	OF 28 SHEETS
APPROVED BY: _____	NTS	SHILOH STATION ROAD PHASE 5
PROJECT NUMBER: T01150492		
<input checked="" type="checkbox"/> ISSUED FOR REVIEW	<input type="checkbox"/> ISSUED FOR BIDDING	
<input type="checkbox"/> ISSUED FOR CONSTR.	<input type="checkbox"/> RECORD DRAWING	

P:\150492\CADD - DWG\A7 Iron\150492-PLANS.dwg
 Plot Date: 3/17/2017 10:34am



SCALE
 1/8\"/>

LEGEND
 EX. ROW = EXISTING RIGHT OF WAY
 PR. ROW = PROPOSED RIGHT OF WAY
 T.C.E. = TEMPORARY CONSTRUCTION EASEMENT

NOTES:
 1. ALL STORM SEWER SHOWN IS PROPOSED
 2. ALL OTHER UTILITIES SHOWN ARE EXISTING
 3. DEPTHS AND LOCATION OF EXISTING UTILITIES ARE APPROXIMATE

THOUVENOT, WADE & MOERCHEN, INC.
 ENGINEERS • SURVEYORS • PLANNERS

TWM

CORPORATE OFFICE
 4940 OLD COLLINSVILLE RD.
 SWANSEA, ILLINOIS 62226
 TEL (618) 624-4488
 FAX (618) 624-6688

WATERLOO OFFICE
 113 SOUTH MAIN STREET
 WATERLOO, ILLINOIS 62298
 TEL (618) 939-5050
 FAX (618) 939-3938

EDWARDSVILLE OFFICE
 600 COUNTRY CLUB VIEW, SUITE 1
 EDWARDSVILLE, ILLINOIS 62025
 TEL (618) 656-4040
 FAX (618) 656-4343

ST. LOUIS OFFICE
 720 OLIVE ST., SUITE 200A
 ST. LOUIS, MISSOURI 63101
 TEL (314) 241-6300
 FAX (314) 241-2391

ST. CHARLES OFFICE
 400 N. 5TH STREET, SUITE 101
 ST. CHARLES, MISSOURI 63301
 TEL (636) 724-8300
 FAX (636) 724-8304

PROFESSIONAL REGISTRATIONS	LICENSE NO.
ILLINOIS PROFESSIONAL DESIGN FIRM	104-001220
PROFESSIONAL ENGINEERING CORP.	62-055370
PROFESSIONAL STRUCTURAL ENGR. CORP.	61-005202
ILLINOIS PROF. LAND SURVEYING CORP.	048-000229
MISSOURI PROFESSIONAL ENGR. CORP.	NC 001528
MISSOURI LAND SURVEYING CORP.	NC 000346

SEAL

Signature: _____
 Signature Date: _____
 Expiration Date: _____

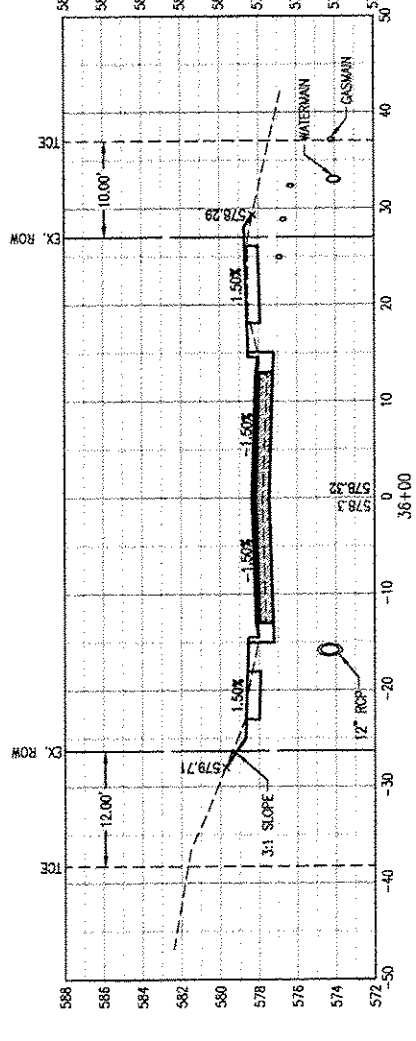
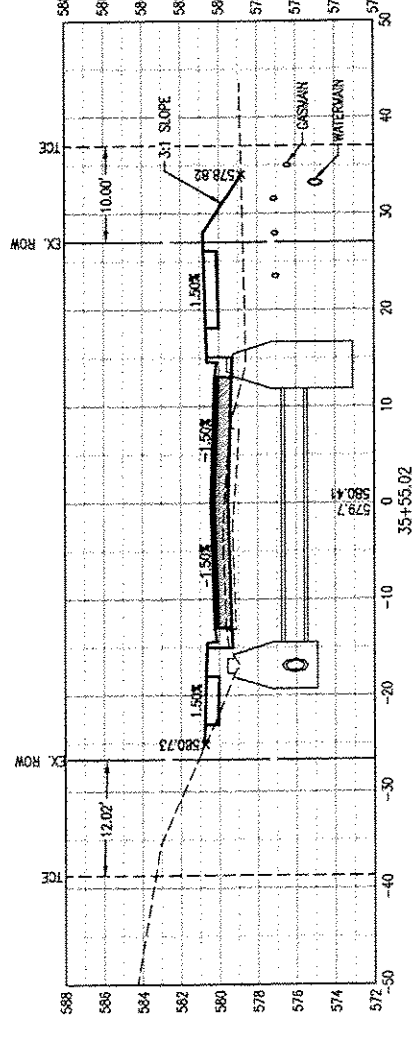
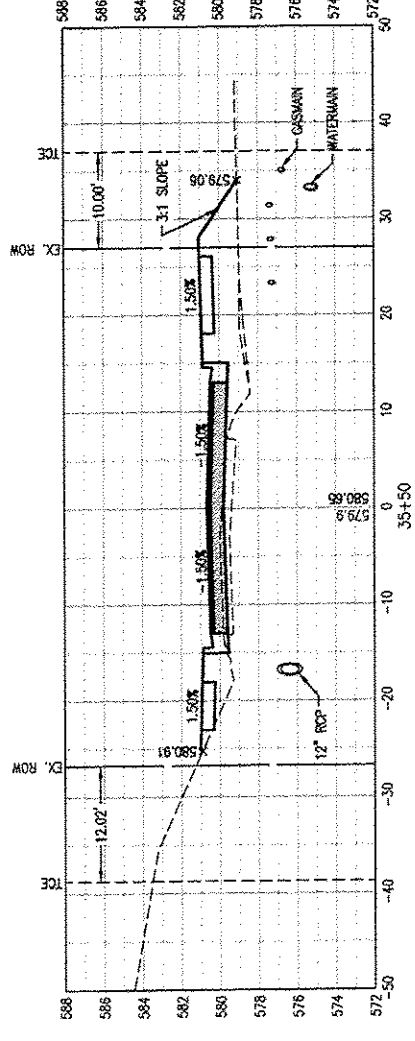
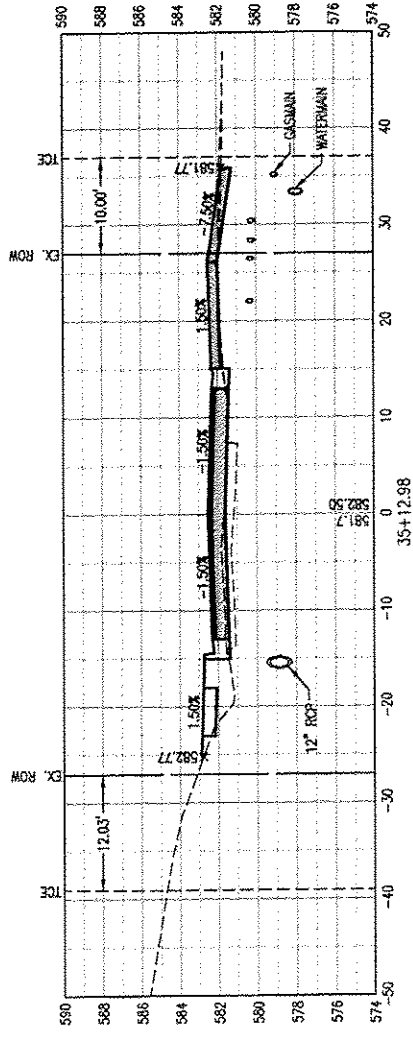
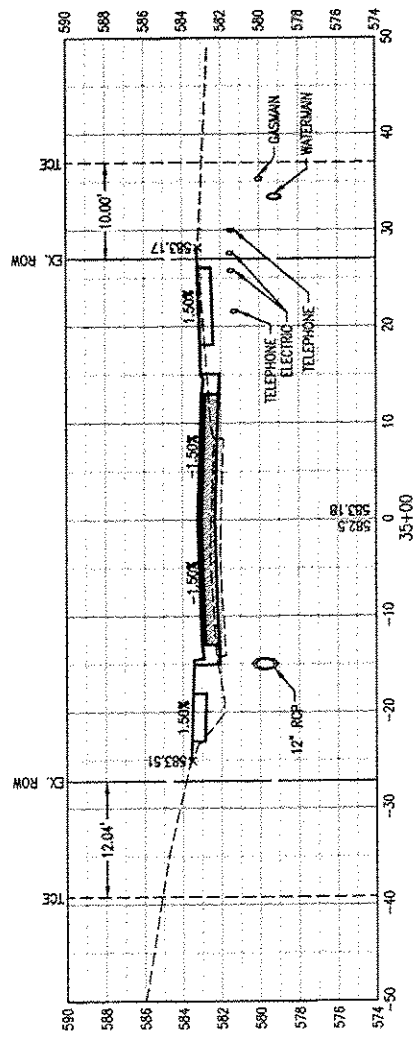
STATEMENT OF RESPONSIBILITY
 I hereby confirm that the document herein to be authenticated by my seal is restricted to this sheet, and I hereby disclaim any responsibility for all other drawings, specifications, estimates, reports or other documents or instruments relating to or intended to be utilized for any other part of the architectural, engineering or survey project.

TITLE: **SHILOH STATION ROAD PHASE 5 CROSS SECTIONS 15-0001-05-PV**

PROJECT: **SHILOH STATION ROAD RECONSTRUCTION - PHASE 5 VILLAGE OF SHILOH ST. CLAIR COUNTY, ILLINOIS**

REV	DATE	DESCRIPTION

DRAWN BY: LEM	SHEET
DESIGNED BY: NTS	25
CHECKED BY: NTS	OF 28 SHEETS
APPROVED BY: NTS	SHILOH STATION ROAD PHASE 5
PROJECT NUMBER: T01150492	
<input checked="" type="checkbox"/> ISSUED FOR REVIEW	<input type="checkbox"/> ISSUED FOR BIDDING
<input type="checkbox"/> ISSUED FOR CONSTR.	<input type="checkbox"/> RECORD DRAWING



SCALE
 1/2" VERTICAL
 1" HORIZONTAL

LEGEND
 EX. ROW = EXISTING RIGHT OF WAY
 PR. ROW = PROPOSED RIGHT OF WAY
 TCE = TEMPORARY CONSTRUCTION EASEMENT

NOTES:
 1. ALL STORM SEWER SHOWN IS PROPOSED
 2. ALL OTHER UTILITIES SHOWN ARE EXISTING
 3. DEPTHS AND LOCATION OF EXISTING UTILITIES ARE APPROXIMATE

THOUVENOT, WADE & MOERCHEN, INC.
 ENGINEERS • SURVEYORS • PLANNERS

TWM

CORPORATE OFFICE
 4940 OLD COLLINSVILLE RD.
 SWANSEA, ILLINOIS 62226
 TEL (618) 624-4488
 FAX (618) 624-6888

WATERLOO OFFICE
 113 SOUTH MAIN STREET
 WATERLOO, ILLINOIS 62298
 TEL (618) 939-5050
 FAX (618) 939-3938

EDWARDSVILLE OFFICE
 800 COUNTRY CLUB VIEW, SUITE 1
 EDWARDSVILLE, ILLINOIS 62025
 TEL (618) 656-4040
 FAX (618) 656-4343

ST. LOUIS OFFICE
 720 OLIVE ST., SUITE 200A
 ST. LOUIS, MISSOURI 63101
 TEL (314) 241-6300
 FAX (314) 241-2391

ST. CHARLES OFFICE
 400 N. 5TH STREET, SUITE 101
 ST. CHARLES, MISSOURI 63301
 TEL (636) 724-8300
 FAX (636) 724-8304

PROFESSIONAL REGISTRATIONS	LICENSE NO.
ILLINOIS PROFESSIONAL DESIGN FIRM	184-001220
PROFESSIONAL ENGINEERING CORP.	62-033370
PROFESSIONAL STRUCTURAL ENGR. CORP.	81-003202
ILLINOIS PROF. LAND SURVEYING CORP.	048-000029
MISSOURI PROFESSIONAL ENGR. CORP.	NC 001528
MISSOURI LAND SURVEYING CORP.	NC 000346

SEAL

Signature: _____
 Signature Date: _____
 Expiration Date: _____

STATEMENT OF RESPONSIBILITY
 I hereby confirm that the document herein to be authenticated by my seal is restricted to this sheet, and I hereby disclaim any responsibility for all other drawings, specifications, estimates, reports or other documents or instruments relating to or intended to be utilized for any other part of the architectural, engineering or survey project.

TITLE: **SHILOH STATION ROAD PHASE 5 CROSS SECTIONS**
 15-00011-05-PV

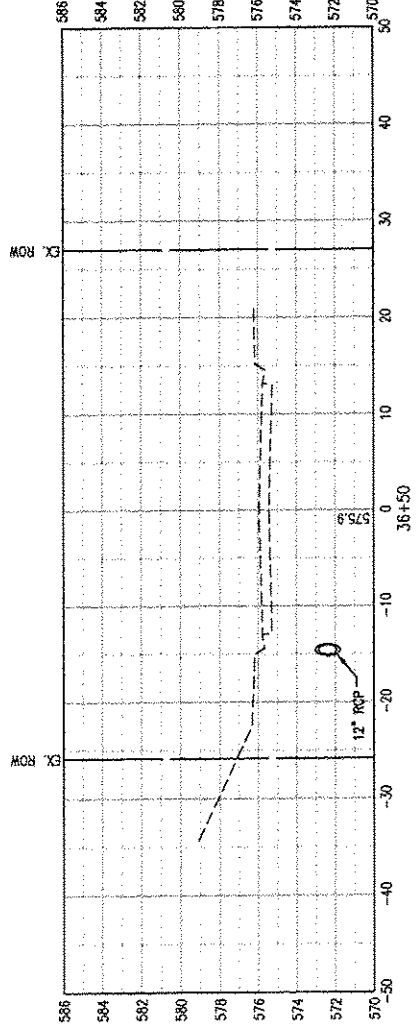
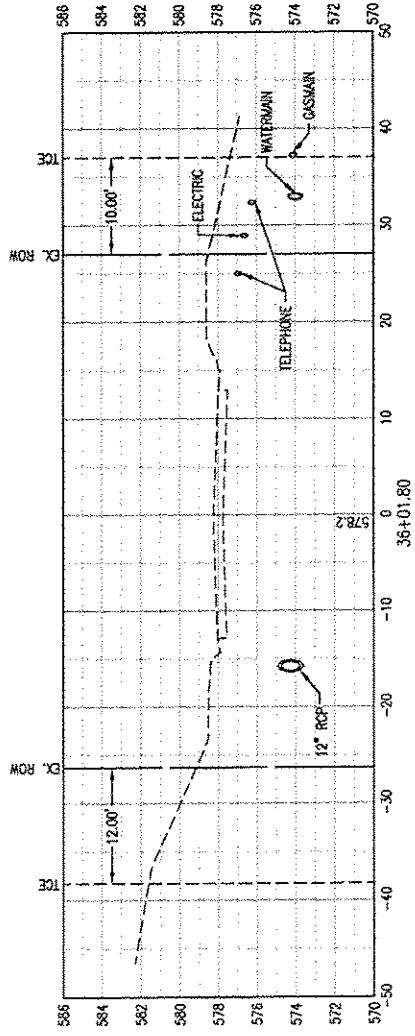
PROJECT: **SHILOH STATION ROAD RECONSTRUCTION - PHASE 5 VILLAGE OF SHILOH ST. CLAIR COUNTY, ILLINOIS**

REV#	DATE	DESCRIPTION

DRAWN BY: LEM SHEET
 DESIGNED BY: NTS
 CHECKED BY: NTS
 APPROVED BY: NTS

PROJECT NUMBER: T01150492
 ROAD PHASE 5

ISSUED FOR REVIEW ISSUED FOR BIDDING
 ISSUED FOR CONSTR. RECORD DRAWING



Total Volume Table						
Station	Cut Area	Fill Area	Cut Vol	Fill Vol	Cum Cut Vol	Cum Fill Vol
26+00.00	0.00	0.00	0.00	0.00	0.00	0.00
26+25.00	0.00	0.00	0.00	0.00	0.00	0.00
26+50.00	0.00	0.00	0.00	0.00	0.00	0.00
26+75.00	0.00	0.00	0.00	0.00	0.00	0.00
26+99.98	0.00	0.00	0.00	0.00	0.00	0.00
27+00.00	0.00	0.00	0.00	0.00	0.00	0.00
27+21.48	0.00	0.00	0.00	0.00	0.00	0.00
27+40.12	24.31	20.86	6.81	5.84	6.81	5.84
27+50.00	27.26	15.66	9.43	6.68	16.24	12.52
27+60.67	58.94	8.94	17.02	4.86	33.26	17.38
27+73.32	38.47	3.09	22.82	2.82	56.08	20.20
27+75.00	34.19	4.49	2.27	0.24	58.35	20.44
27+87.54	45.20	1.94	18.43	1.49	76.78	21.93
28+00.00	41.63	2.51	20.04	1.02	96.82	22.96
28+25.00	54.33	0.59	44.43	1.43	141.25	24.39
28+50.00	72.50	0.57	58.72	0.53	199.97	24.92
28+75.00	84.57	0.71	72.72	0.59	272.68	25.51
29+00.00	74.08	0.76	73.43	0.68	346.13	26.19
29+06.57	72.03	0.94	17.79	0.21	363.92	26.40
29+25.00	68.80	2.08	48.06	1.03	411.98	27.43
29+43.77	67.70	0.00	47.46	0.72	459.43	28.16
29+50.00	59.56	0.99	14.67	0.11	474.11	28.27
29+75.00	40.32	2.88	46.24	1.79	520.34	30.07
29+75.64	39.98	3.07	0.96	0.07	521.30	30.14
30+00.00	29.31	26.47	31.25	13.32	552.55	43.46
30+25.00	32.70	41.90	28.71	31.65	581.27	75.11
30+30.37	36.29	45.76	7.06	6.72	588.33	83.83
30+50.00	4.70	66.84	15.62	40.93	603.95	124.76
30+75.00	6.28	82.19	5.08	68.99	609.04	193.75
30+81.65	7.14	80.15	1.65	20.00	610.69	213.75
31+00.00	9.71	75.71	5.72	52.95	616.41	266.71

Total Volume Table						
Station	Cut Area	Fill Area	Cut Vol	Fill Vol	Cum Cut Vol	Cum Fill Vol
31+25.00	14.74	70.05	11.32	67.48	627.74	334.18
31+50.00	23.64	56.27	17.77	58.48	645.51	392.66
31+75.00	42.22	30.92	30.49	40.37	675.99	433.03
31+90.96	60.62	15.68	30.39	13.77	706.38	446.80
32+00.00	54.41	11.83	19.26	4.61	725.64	451.41
32+13.18	63.15	2.11	28.70	3.40	754.34	454.81
32+23.91	71.54	0.00	26.76	0.42	781.10	455.23
32+25.00	68.51	0.85	2.83	0.02	783.93	455.25
32+50.00	66.19	0.37	62.36	0.57	846.28	455.81
32+75.00	59.47	0.50	58.17	0.41	904.46	456.22
33+00.00	41.51	4.51	46.75	2.32	951.20	458.54
33+11.94	37.08	5.30	17.38	2.17	968.58	460.71
33+25.00	33.40	2.00	17.04	1.76	985.63	462.47
33+30.17	58.14	2.28	6.76	0.41	994.38	462.88
33+50.00	58.10	7.74	42.70	3.68	1037.08	466.56
33+75.00	57.53	7.63	53.53	7.12	1090.61	473.68
34+00.00	53.87	9.08	91.57	7.74	1142.18	481.42
34+25.00	41.44	7.67	44.13	7.75	1186.31	489.17
34+50.00	13.24	5.27	25.32	5.99	1211.63	495.16
34+58.71	19.12	4.20	5.22	1.53	1216.84	496.69
34+75.00	9.01	11.61	8.49	4.77	1225.33	501.46
34+86.94	7.09	14.01	3.56	5.67	1228.90	507.13
34+91.43	10.97	13.36	1.50	2.28	1230.40	509.40
35+00.00	7.31	14.93	2.90	4.49	1233.30	513.89
35+12.98	3.06	15.75	2.49	7.37	1235.79	521.26
35+25.00	0.28	29.99	0.74	10.18	1236.53	531.44
35+50.00	0.35	48.59	0.29	36.35	1236.83	567.80
35+55.02	0.54	42.83	0.08	8.49	1236.91	576.28
35+75.00	6.95	17.98	2.77	22.50	1239.68	598.79
36+00.00	20.45	2.73	12.68	9.59	1252.36	608.38
36+01.80	30667.05	0.00	1022.23	0.09	2274.60	608.47

* NOTE NET VOLUME ON THIS CHART DOES NOT INCLUDE A SHRINKAGE FACTOR

SCALE
 1/4" VERTICAL
 1/10" HORIZONTAL

LEGEND
 EX. ROW = EXISTING RIGHT OF WAY
 PR. ROW = PROPOSED RIGHT OF WAY
 TCE = TEMPORARY CONSTRUCTION EASEMENT

NOTES:
 1. ALL STORM SEWER SHOWN IS PROPOSED
 2. ALL OTHER UTILITIES SHOWN ARE EXISTING
 3. DEPTHS AND LOCATION OF EXISTING UTILITIES ARE APPROXIMATE

THOUMENOT, WADE & MOERCHEN, INC.
 ENGINEERS • SURVEYORS • PLANNERS

TWM

CORPORATE OFFICE
 4940 OLD COLLINSVILLE RD.
 SWANSEA, ILLINOIS 62226
 TEL (618) 624-4488
 FAX (618) 624-6688

WATERLOO OFFICE
 113 SOUTH MAIN STREET
 WATERLOO, ILLINOIS 62298
 TEL (618) 939-5050
 FAX (618) 939-3938

EDWARDSVILLE OFFICE
 600 COUNTRY CLUB VIEW, SUITE 1
 EDWARDSVILLE, ILLINOIS 62025
 TEL (618) 656-4040
 FAX (618) 656-4343

ST. LOUIS OFFICE
 720 OLIVE ST., SUITE 200A
 ST. LOUIS, MISSOURI 63101
 TEL (314) 241-6300
 FAX (314) 241-2391

ST. CHARLES OFFICE
 400 N. 5TH STREET, SUITE 101
 ST. CHARLES, MISSOURI 63301
 TEL (636) 724-8300
 FAX (636) 724-8304

PROFESSIONAL REGISTRATIONS	LICENSE NO.
ILLINOIS PROFESSIONAL DESIGN FIRM	184-001228
PROFESSIONAL ENGINEERING CORP.	62-035370
PROFESSIONAL STRUCTURAL ENGR. CORP.	81-005202
ILLINOIS PROF. LAND SURVEYING CORP.	048-000028
MISSOURI PROFESSIONAL ENGR. CORP.	MC 001528
MISSOURI LAND SURVEYING CORP.	MC 000348

SEAL

Signature: _____
 Signature Date: _____
 Expiration Date: _____

STATEMENT OF RESPONSIBILITY
 I hereby certify that the document herein to be authorized by my seal is restricted to this sheet, and I hereby disclaim any responsibility for all other drawings, specifications, estimates, reports or other documents or instruments relating to or intended to be utilized for any other part of the architectural, engineering or survey project.

TITLE: **SHILOH STATION ROAD PHASE 5 CROSS SECTIONS 15-00011-05-PV**

PROJECT: **SHILOH STATION ROAD RECONSTRUCTION - PHASE 5 VILLAGE OF SHILOH ST. CLAIR COUNTY, ILLINOIS**

REV.	DATE	DESCRIPTION

DRAWN BY: LEM
 DESIGNED BY: NTS
 CHECKED BY: NTS
 APPROVED BY: NTS

PROJECT NUMBER: T01150492

SHEET **27** OF 28 SHEETS

SHILOH STATION ROAD PHASE 5

ISSUED FOR REVIEW ISSUED FOR BIDDING
 ISSUED FOR CONSTR. RECORD DRAWING



- CORPORATE OFFICE**
4940 OLD COLLINSVILLE RD.
SWANSEA, ILLINOIS 62226
TEL (618) 624-4488
FAX (618) 624-6698
- WATERLOO OFFICE**
113 SOUTH MAIN STREET
WATERLOO, ILLINOIS 62298
TEL (618) 939-5050
FAX (618) 939-3938
- EDWARDSVILLE OFFICE**
600 COUNTRY CLUB VIEW, SUITE 1
EDWARDSVILLE, ILLINOIS 62025
TEL (618) 656-4040
FAX (618) 656-4343
- ST. LOUIS OFFICE**
720 OLIVE ST., SUITE 200A
ST. LOUIS, MISSOURI 63101
TEL (314) 241-6300
FAX (314) 241-2391
- ST. CHARLES OFFICE**
400 N. 5TH STREET, SUITE 101
ST. CHARLES, MISSOURI 63301
TEL (636) 724-8300
FAX (636) 724-8304

PROFESSIONAL REGISTRATIONS	LICENSE NO.
ILLINOIS PROFESSIONAL DESIGN FIRM	184-001228
PROFESSIONAL ENGINEERING CORP.	62-035370
PROFESSIONAL STRUCTURAL ENGR. CORP.	81-005202
ILLINOIS PROF. LAND SURVEYING CORP.	048-000023
MISSOURI PROFESSIONAL ENGR. CORP.	MC 001028
MISSOURI LAND SURVEYING CORP.	MC 000346

SEAL

Signature: _____
Expiration Date: _____

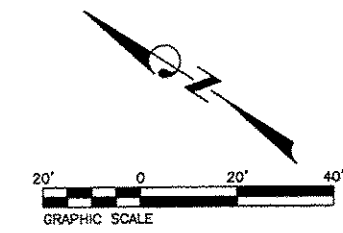
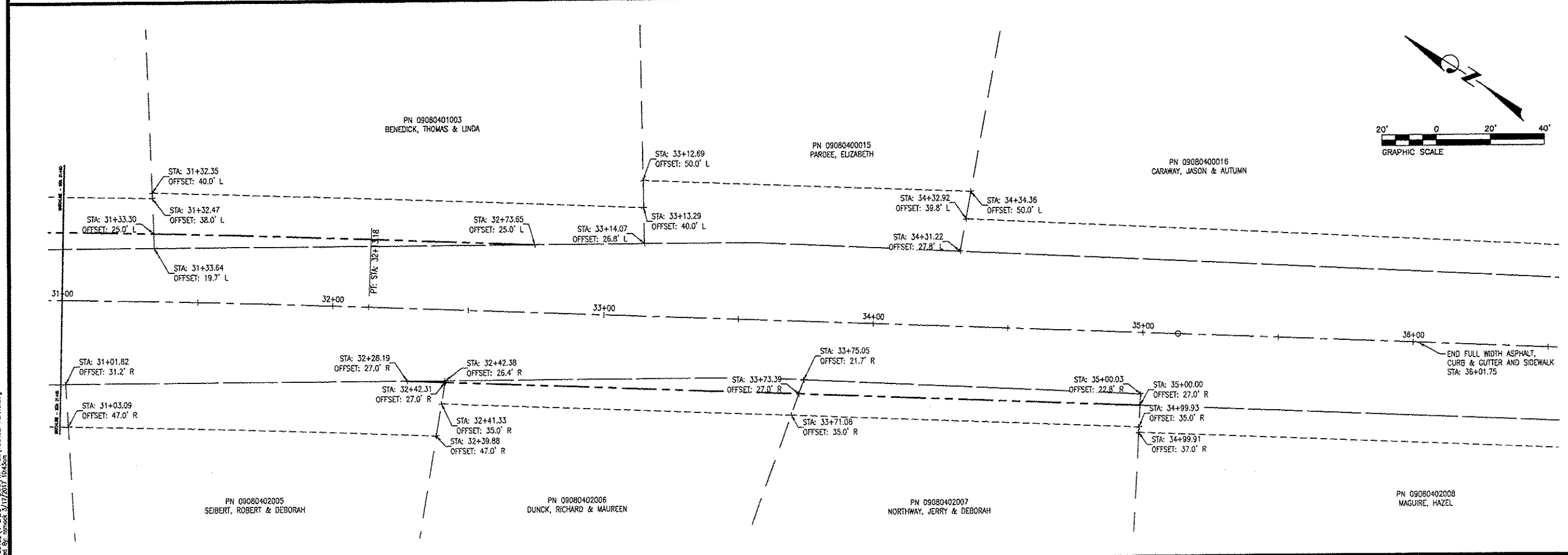
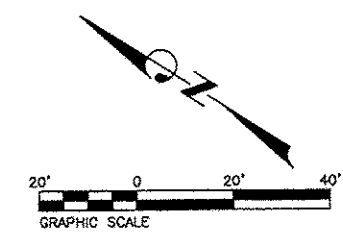
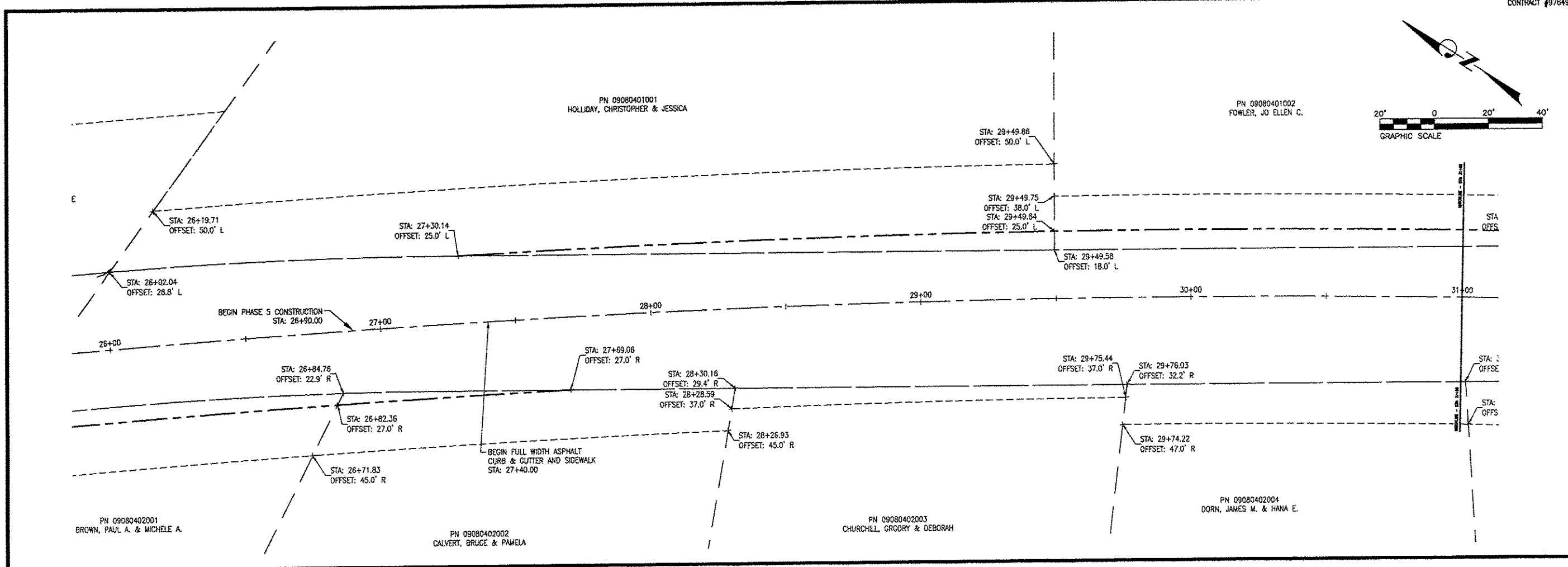
STATEMENT OF RESPONSIBILITY
I hereby confirm that the document herein to be authenticated by my seal is restricted to this sheet, and I hereby disclaim any responsibility for all other drawings, specifications, estimates, reports or other documents or instruments relating to or intended to be utilized for any other part of the architectural, engineering or survey project.

TITLE: SHILOH STATION ROAD PHASE 5 R.O.W. / EASEMENT LOCATION 15-00011-05-PV

PROJECT: SHILOH STATION ROAD RECONSTRUCTION - PHASE 5 VILLAGE OF SHILOH ST. CLAIR COUNTY, ILLINOIS

REV	DATE	DESCRIPTION

DRAWN BY: LEM	SHEET
DESIGNED BY: NTS	28
CHECKED BY: NTS	OF 28 SHEETS
APPROVED BY: NTS	SHILOH STATION ROAD PHASE 5
PROJECT NUMBER: T01150492	
<input checked="" type="checkbox"/> ISSUED FOR REVIEW	<input type="checkbox"/> ISSUED FOR BIDDING
<input type="checkbox"/> ISSUED FOR CONSTR.	<input type="checkbox"/> RECORD DRAWING



P:\50492\A_CADD - DWG\47_Town\50492-PLANS.dwg
Plotted By: jhewitt 10/24/08