

REMOVAL AND RELOCATION NOTES:

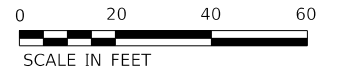
THE FOLLOWING ITEMS SHALL BE REMOVED BY THE CONTRACTOR AND SHALL BE DISPOSED OF BY THEM OUTSIDE THE RIGHT-OF-WAY AT THEIR EXPENSE. THE SALVAGE VALUE OF THE REMOVED EQUIPMENT SHALL BE REFLECTED IN THE CONTRACTOR'S BID PRICE:

- 1 EACH CONTROLLER AND CABINET (COMPLETE)
- 1 EACH SERVICE INSTALLATION
- 4 EACH TRAFFIC SIGNAL BACKPLATE
- 4 EACH 3-SECTION SIGNAL HEAD
- 12 EACH 5-SECTION SIGNAL HEAD
- 4 EACH STREET NAME SIGN
- 4 EACH STEEL MAST ARM ASSEMBLY AND POLE
- 1 EACH TRAFFIC SIGNAL POST
- 2 EACH LIGHT DETECTOR
- 2 EACH CONFIRMATION BEACON
- 1 EACH LIGHT DETECTOR AMPLIFIER
- 4 EACH TRAFFIC SIGNAL BACKPLATE

MATCH LINE STA 77+00
SEE SHEET 147

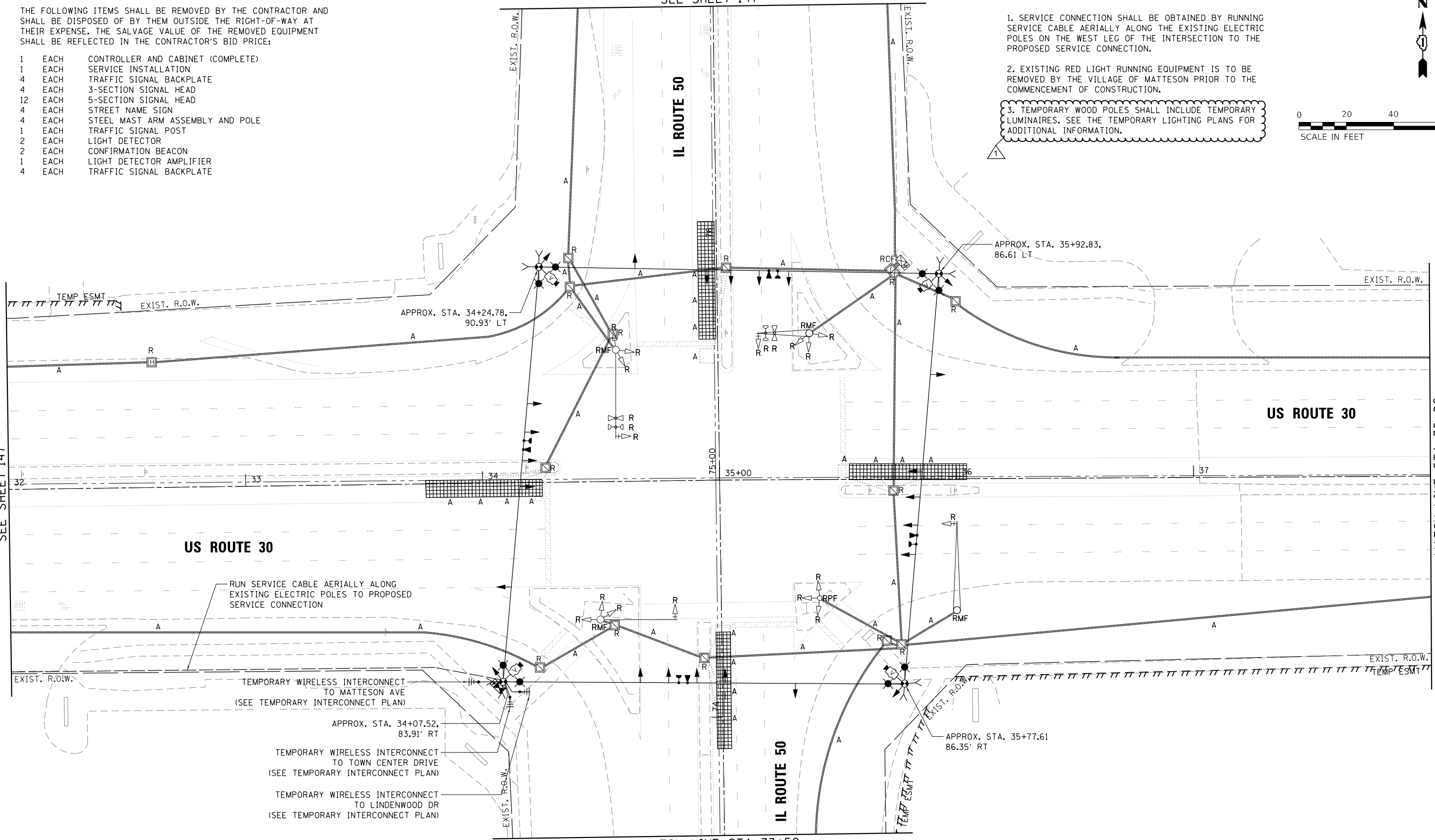
NOTES:

1. SERVICE CONNECTION SHALL BE OBTAINED BY RUNNING SERVICE CABLE AERIALY ALONG THE EXISTING ELECTRIC POLES ON THE WEST LEG OF THE INTERSECTION TO THE PROPOSED SERVICE CONNECTION.
2. EXISTING RED LIGHT RUNNING EQUIPMENT IS TO BE REMOVED BY THE VILLAGE OF MATTESON PRIOR TO THE COMMENCEMENT OF CONSTRUCTION.
3. TEMPORARY WOOD POLES SHALL INCLUDE TEMPORARY LUMINAIRES. SEE THE TEMPORARY LIGHTING PLANS FOR ADDITIONAL INFORMATION.



MATCH LINE STA 32+00
SEE SHEET 147

MATCH LINE STA 38+00
SEE SHEET 147



MATCH LINE STA 73+50
SEE SHEET 147

PRE-STAGE

▲ REVISED SHEET 06/06/2023

**TS 1355
ECON 54**

TS SHT NO. 13

MODEL: Default
FILE NAME: Z:\18-001\18-01\DOT\188 Item 14 (3) & 50\150_Design\20_CADD\Traffic_Signals\Sheet\TS-1\18-001-13.dgn



USER NAME = MET	DESIGNED - ASH	REVISED - ▲ 06/06/2023
PLOT SCALE = 40,0000' / in.	DRAWN - ASH	REVISED -
PLOT DATE = 5/19/2023	CHECKED - JAC	REVISED -
	DATE - 2-28-2023	REVISED -

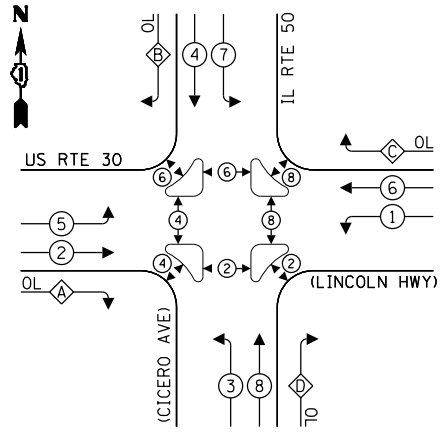
**STATE OF ILLINOIS
DEPARTMENT OF TRANSPORTATION**

**TEMPORARY TRAFFIC SIGNAL INSTALLATION AND REMOVAL PLAN
US ROUTE 30 (LINCOLN HWY) AT IL ROUTE 50 (CICERO AVE)**

SCALE: 1" = 20' SHEET OF SHEETS STA. TO STA.

F.A.P. RTE. 353 & 350	SECTION (22&23) TS-1	COUNTY COOK	TOTAL SHEETS 277	SHEET NO. 146
CONTRACT NO. 62G38			ILLINOIS FED. AID PROJECT	

PROPOSED CONTROLLER SEQUENCE

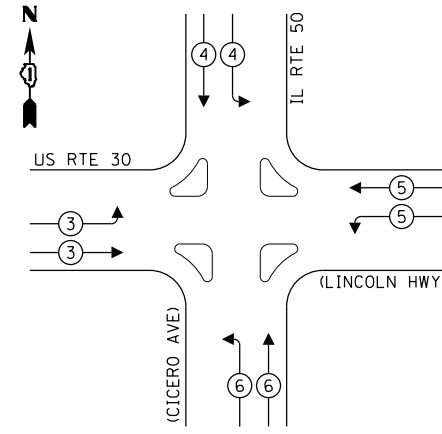


LEGEND:

- ← * → PROTECTED PHASE
- ← * - - → PROTECTED/PERMITTED PHASE
- ← * → PEDESTRIAN PHASE
- ← * OL → OVERLAP

OVERLAP LETTER	PERMISSIVE PHASE	PROTECTED PHASE
A =	2 +	3
B =	4 +	5
C =	6 +	7
D =	8 +	1

PROPOSED EMERGENCY VEHICLE PREEMPTION SEQUENCE



TRAFFIC SIGNAL ELECTRICAL SERVICE REQUIREMENTS

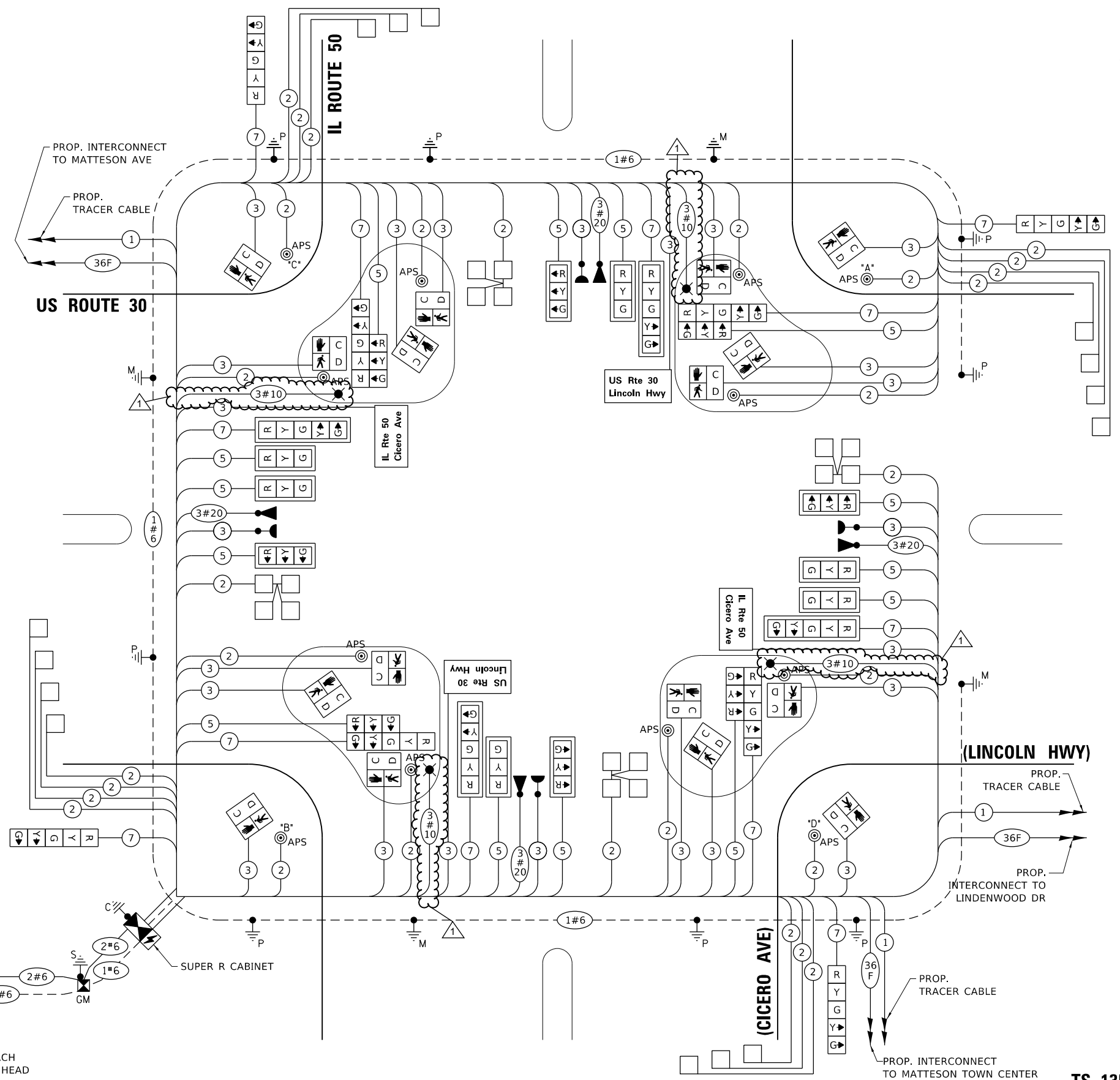
TYPE	NO. OF LAMPS	LED WATTAGE	% OPERATION	TOTAL WATTAGE
SIGNAL (RED)	26	11	50	143.0
(YELLOW)	26	20	5	26.0
(GREEN)	26	12	45	140.4
PERMISSIVE ARROW	24	10	10	24.0
PED. SIGNAL	16	20	100	320.0
CONTROLLER	1	100	100	100.0
UPS	1	25	100	25.0
VIDEO SYSTEM	-	150	100	-
BLANK-OUT SIGN	-	25	5	-
FLASHER	-	-	50	-
STREET NAME SIGN	4	120	50	240.0
LUMINAIRE	4	200	50	160.0
TOTAL =				1178.4

ENERGY COSTS TO:
 ILLINOIS DEPARTMENT OF TRANSPORTATION
 DIVISION OF HIGHWAYS / DISTRICT 1
 201 WEST CENTER COURT / SCHAUMBURG, IL 60196-1096
 ENERGY SUPPLY: CONTACT: ILYAS MAKI UDDIN
 PHONE: (708) 235-2632
 COMPANY: COMMONWEALTH EDISON
 ACCOUNT NUMBER: 02210-45049

LEFT ON GREEN ARROW ONLY

* NEEDED NEXT TO EACH 3-SECTION LEFT TURN HEAD

SIGN NUMBER	DIMENSIONS (IN X IN)	AREA (SQ FT)	SIGN PANEL TYPE	QTY REQUIRED
R10-5	24 X 30	5	1	8



TS SHT NO. 34



USER NAME = MET	DESIGNED - ASH	REVISED - 06/06/2023
PLOT SCALE = 40,0000' / in.	DRAWN - ASH	REVISED -
PLOT DATE = 5/19/2023	CHECKED - JAC	REVISED -
	DATE - 2-28-2023	REVISED -

STATE OF ILLINOIS
 DEPARTMENT OF TRANSPORTATION

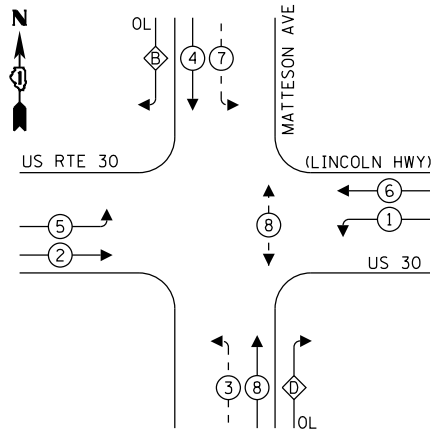
**CABLE PLAN, PHASE DESIGNATION DIAGRAM,
 AND EMERGENCY VEHICLE PREEMPTION SEQUENCE
 US ROUTE 30 AND IL ROUTE 50**

F.A.P. RTE. 353 & 350	SECTION (22&23) TS-1	COUNTY COOK	TOTAL SHEETS 277	SHEET NO. 167
ILLINOIS FED. AID PROJECT			CONTRACT NO. 62G38	

TS 1355
 ECON 54

REVISD SHEET 06/06/2023

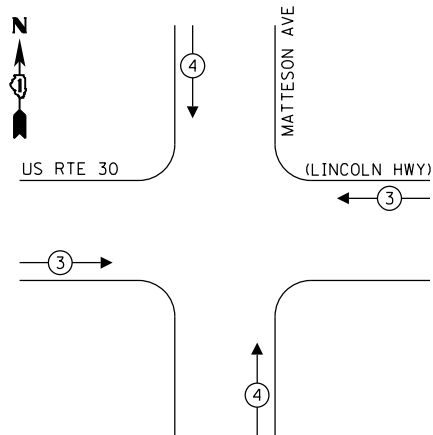
PROPOSED CONTROLLER SEQUENCE



LEGEND:

- ← * → PROTECTED PHASE
 - ← * - - PROTECTED/PERMITTED PHASE
 - ← * → PEDESTRIAN PHASE
 - ← * OL → OVERLAP
- | OVERLAP LETTER | PERMISSIVE PHASE | PROTECTED PHASE |
|----------------|------------------|-----------------|
| B | = 4 | + 5 |
| D | = 8 | + 1 |

PROPOSED EMERGENCY VEHICLE PREEMPTION SEQUENCE



TRAFFIC SIGNAL ELECTRICAL SERVICE REQUIREMENTS

TYPE	NO. OF LAMPS	LED WATTAGE	% OPERATION	TOTAL WATTAGE
SIGNAL (RED)	21	11	50	115.5
(YELLOW)	21	20	5	21.0
(GREEN)	21	12	45	113.4
PERMISSIVE ARROW	16	10	10	16.0
PED. SIGNAL	2	20	100	40.0
CONTROLLER	1	100	100	100.0
UPS	1	25	100	25.0
VIDEO SYSTEM	-	150	100	-
BLANK-OUT SIGN	-	25	5	-
FLASHER	-	-	50	-
STREET NAME SIGN	-	120	50	-
LUMINAIRE	8	200	50	800.0
ENERGY COSTS TO:			TOTAL =	1230.9

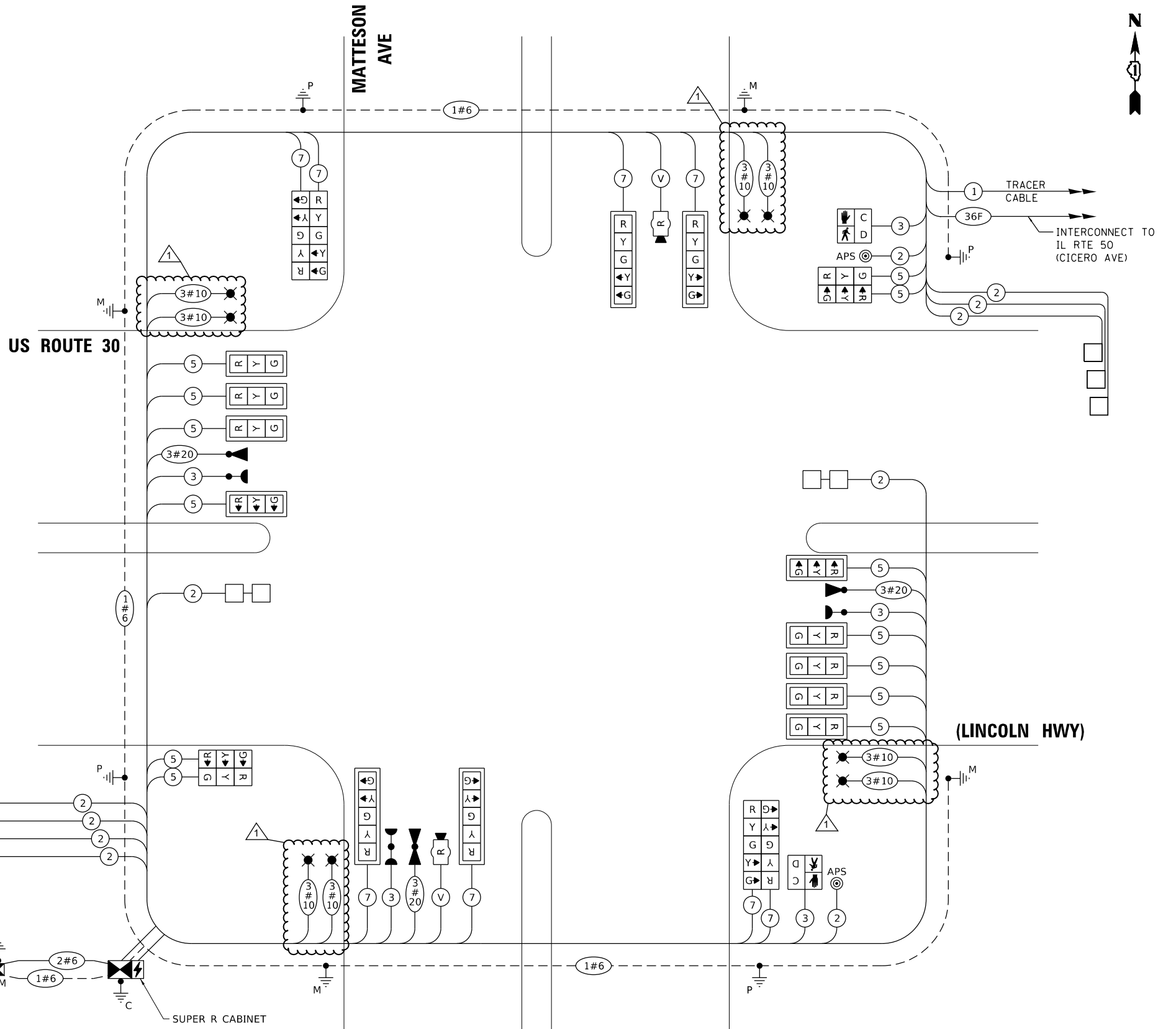
MATTESON TOWN CENTER PLAZA
 C/O BRIAN HOFFMAN, RECEIVER AND CBRE, INC.
 20. MARTINGALE ROAD, SUITE 100
 SCHAUMBURG, IL 60173

ENERGY SUPPLY: CONTACT: ILYAS MAKIYUDDIN
 PHONE: (708) 235-2632
 COMPANY: COMMONWEALTH EDISON
 ACCOUNT NUMBER: 03710-74074

**LEFT ON GREEN
 ARROW ONLY**

* NEEDED NEXT TO EACH
 3-SECTION LEFT TURN HEAD

SIGN NUMBER	DIMENSIONS (IN X IN)	AREA (SQ FT)	SIGN PANEL TYPE	QTY REQUIRED
R10-5	24 X 30	5	1	4



CABLE PLAN

TS SHT NO. 48

MODEL: Default
 FILE NAME: Z:\3180\11-01\DOT\188 Item 14 (3) & 50150 Design\02_CADD\Traffic_Signals\Sheet\TS-MattesonAve_Traffic_Signals_Schematic.dgn



USER NAME = MET
 PLOT SCALE = 40.2189 ' / in.
 PLOT DATE = 5/19/2023

DESIGNED - ASH
 DRAWN - ASH
 CHECKED - JAC
 DATE - 2-28-2023

REVISED - 06/06/2023
 REVISED -
 REVISED -
 REVISED -

STATE OF ILLINOIS
 DEPARTMENT OF TRANSPORTATION

CABLE PLAN, PHASE DESIGNATION DIAGRAM,
 AND EMERGENCY VEHICLE PREEMPTION SEQUENCE
 US ROUTE 30 AND MATTESON AVE

SHEET OF SHEETS STA. TO STA.

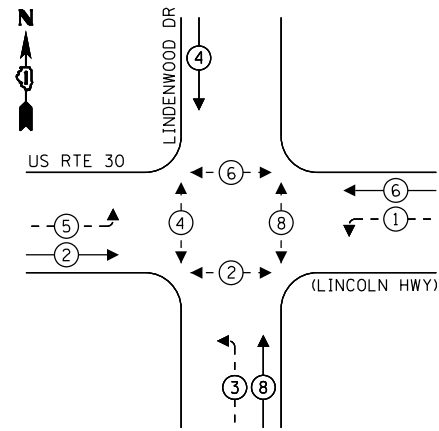
F.A.P. RTE.	SECTION	COUNTY	TOTAL SHEETS	SHEET NO.
353 & 350	(22&23) TS-1	COOK	277	180

CONTRACT NO. 62G38
 ILLINOIS FED. AID PROJECT

TS 11345
 ECON 54

REVISED SHEET 06/06/2023

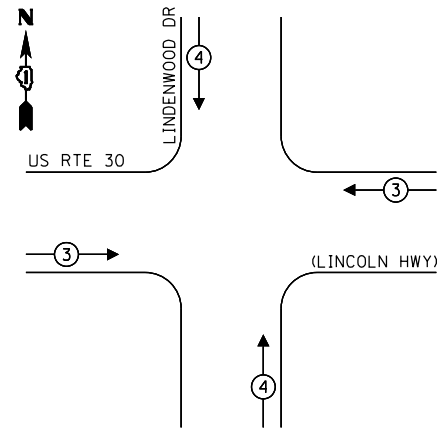
PROPOSED CONTROLLER SEQUENCE



LEGEND:

- ⊙* ← PROTECTED PHASE
- ⊙* ← → PROTECTED/PERMITTED PHASE
- ⊙* → PEDESTRIAN PHASE
- ⊙ OL OVERLAP

**PROPOSED EMERGENCY VEHICLE
PREEMPTION SEQUENCE**

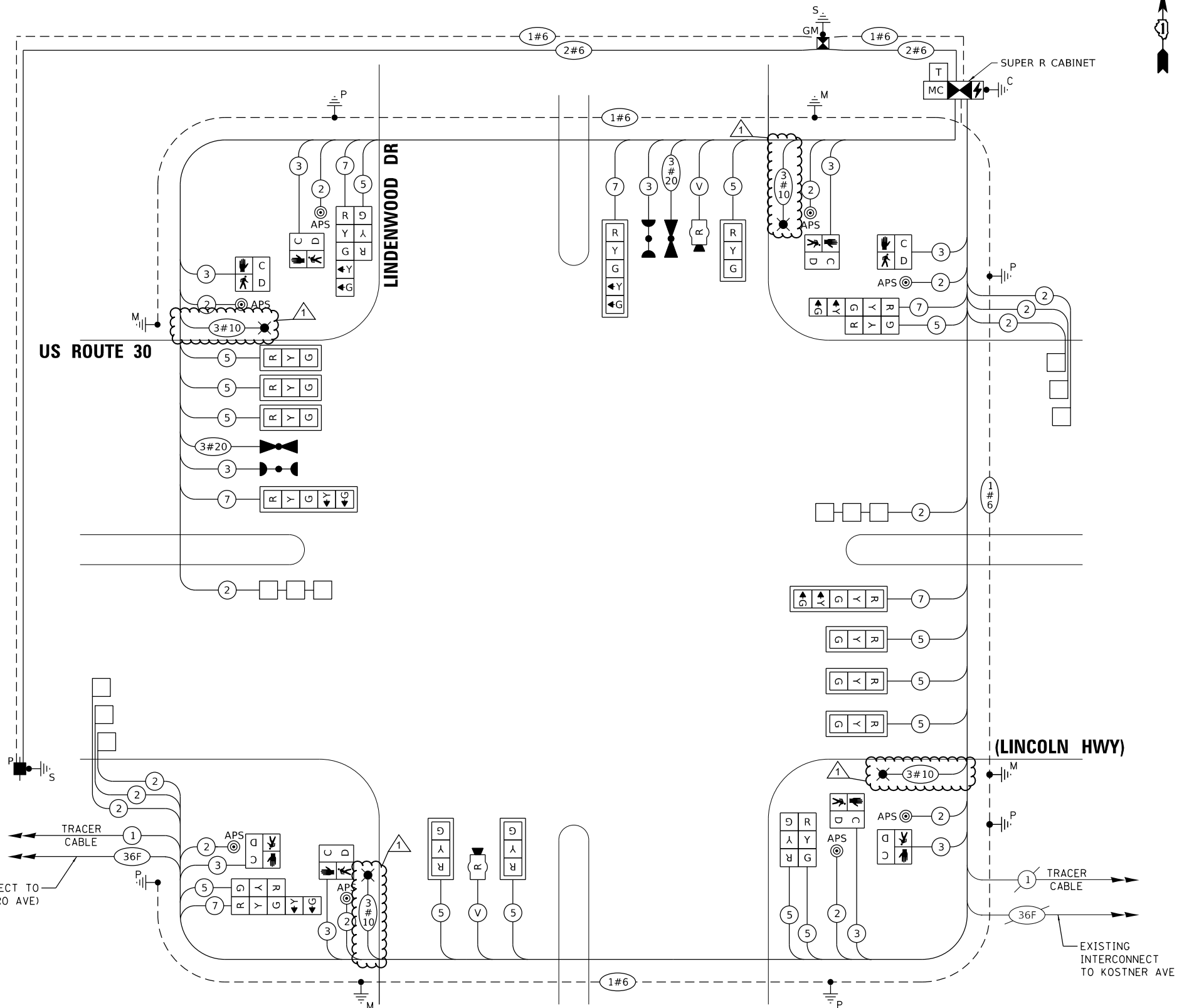


**TRAFFIC SIGNAL
ELECTRICAL SERVICE REQUIREMENTS**

TYPE	NO. OF LAMPS	LED WATTAGE	% OPERATION	TOTAL WATTAGE
SIGNAL (RED)	18	11	50	99.0
(YELLOW)	18	20	5	18.0
(GREEN)	18	12	45	97.2
PERMISSIVE ARROW	12	10	10	12.0
PED. SIGNAL	8	20	100	160.0
CONTROLLER	1	100	100	100.0
UPS	1	25	100	25.0
VIDEO SYSTEM	-	150	100	-
BLANK-OUT SIGN	-	25	5	-
FLASHER	-	-	50	-
STREET NAME SIGN	-	120	50	-
LUMINAIRE	4	200	50	400.0
ENERGY COSTS TO:			TOTAL =	911.2

LINCOLN MALL
LINCOLN MALL HOLDING LLC
1033 W VAN BUREN - 7TH FL
CHICAGO, IL 60607

ENERGY SUPPLY: CONTACT: ILYAS MAKIYUDDIN
PHONE: (708) 235-2632
COMPANY: COMMONWEALTH EDISON
ACCOUNT NUMBER: 07865-07024



CABLE PLAN
(NOT TO SCALE)

TS SHT NO. 52

MODEL: Default
FILE NAME: Z:\3130\01\1-01\DOT\188 Item 14 (3) & 50150 Design\03_CADD\Traffic_Signals\Sheet52_Traffic_Signals_Schematic.dgn



USER NAME = MET
DESIGNED - ASH
DRAWN - ASH
PLOT SCALE = 40.2189 ' / in.
CHECKED - JAC
PLOT DATE = 5/19/2023

REVISOR - [Symbol] 06/06/2023
REVISOR -
REVISOR -
REVISOR -

STATE OF ILLINOIS
DEPARTMENT OF TRANSPORTATION

CABLE PLAN, PHASE DESIGNATION DIAGRAM,
AND EMERGENCY VEHICLE PREEMPTION SEQUENCE
US ROUTE 30 AND LINDENWOOD DR

SHEET OF SHEETS STA. TO STA.

F.A.P. RTE. 353 & 350	SECTION (22&23) TS-1	COUNTY COOK	TOTAL SHEETS 277	SHEET NO. 185
CONTRACT NO. 62G38				
ILLINOIS FED. AID PROJECT				

REVISOR [Symbol] REVISED SHEET 06/06/2023

TS 1430
ECON 54

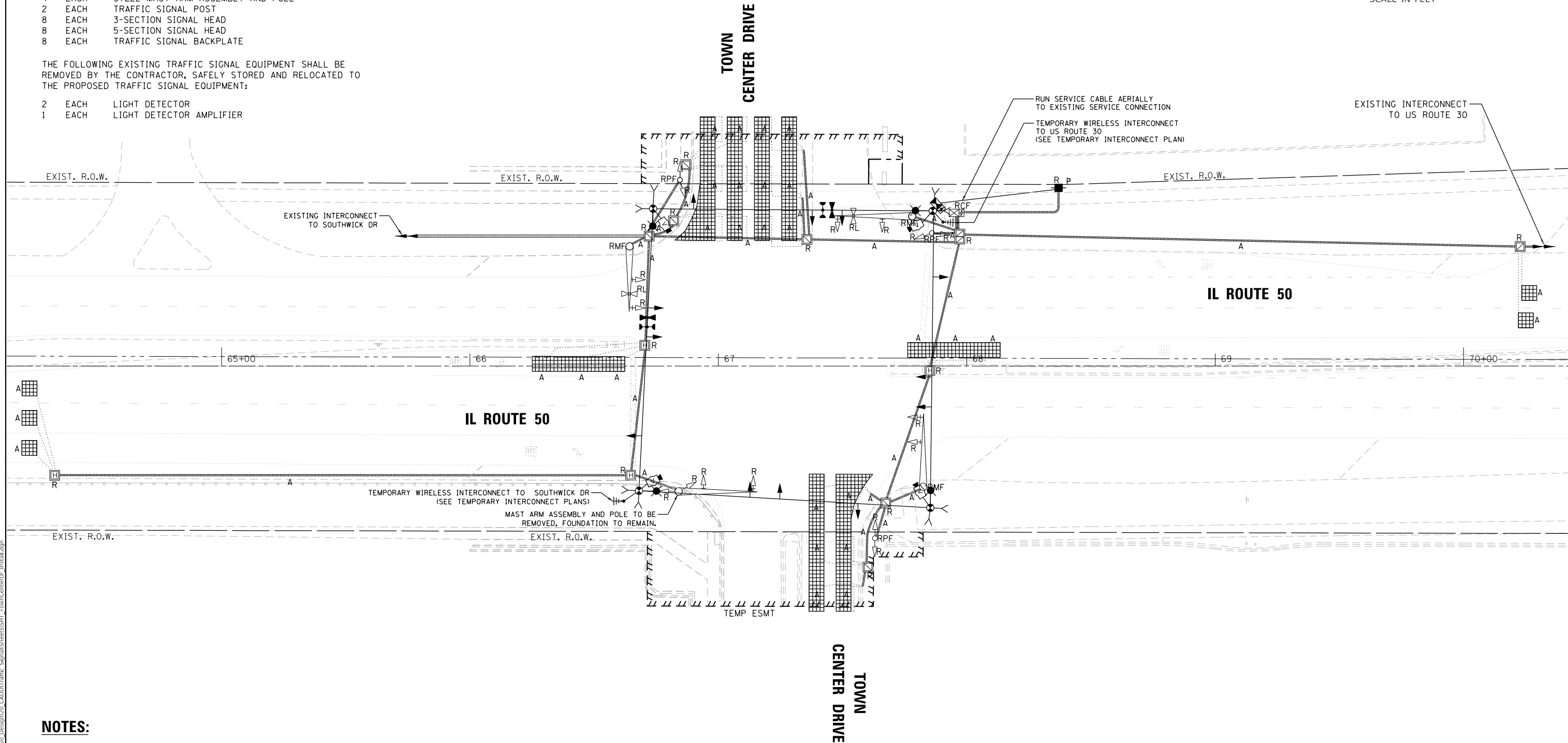
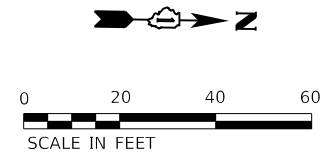
REMOVAL AND RELOCATION NOTES:

THE FOLLOWING ITEMS SHALL BE REMOVED BY THE CONTRACTOR AND SHALL BE DISPOSED OF BY THEM OUTSIDE THE RIGHT-OF-WAY AT THEIR EXPENSE. THE SALVAGE VALUE OF THE REMOVED EQUIPMENT SHALL BE REFLECTED IN THE CONTRACTOR'S BID PRICE:

- 1 EACH CONTROLLER AND CABINET (COMPLETE)
- 1 EACH SERVICE INSTALLATION
- 4 EACH STEEL MAST ARM ASSEMBLY AND POLE
- 2 EACH TRAFFIC SIGNAL POST
- 8 EACH 3-SECTION SIGNAL HEAD
- 8 EACH 5-SECTION SIGNAL HEAD
- 8 EACH TRAFFIC SIGNAL BACKPLATE

THE FOLLOWING EXISTING TRAFFIC SIGNAL EQUIPMENT SHALL BE REMOVED BY THE CONTRACTOR, SAFELY STORED AND RELOCATED TO THE PROPOSED TRAFFIC SIGNAL EQUIPMENT:

- 2 EACH LIGHT DETECTOR
- 1 EACH LIGHT DETECTOR AMPLIFIER



NOTES:

1. CARE TO BE TAKEN BY CONTRACTOR TO NOT DISTURB EXISTING GUARDRAIL IN SOUTHEAST QUADRANT OF INTERSECTION.

2. TEMPORARY WOOD POLES SHALL INCLUDE A TEMPORARY LUMINAIRE. SEE THE TEMPORARY LIGHTING PLANS FOR ADDITIONAL INFORMATION.

TS SHT NO. 54

MODEL: Default
FILE NAME: Z:\318-01\1-01\DOT 188 Item 14 (3) & 50\501_Design\20_CADD\Traffic_Signal\Sheets\TSM_TownCenterDr_Install.dgn



USER NAME = MET	DESIGNED - ASH	REVISED - 06/06/2023
PLOT SCALE = 40,0000 ' / in.	DRAWN - ASH	REVISED -
PLOT DATE = 5/19/2023	CHECKED - JAC	REVISED -
	DATE - 2-28-2023	REVISED -

STATE OF ILLINOIS
DEPARTMENT OF TRANSPORTATION

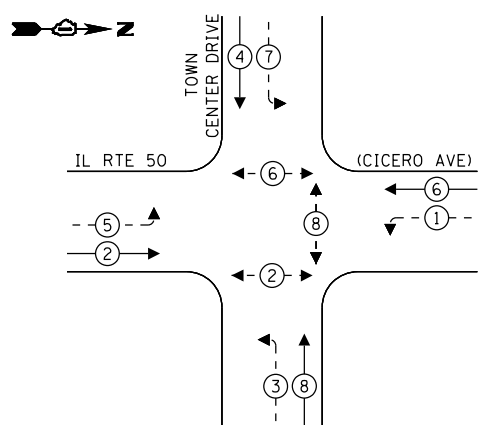
TEMPORARY TRAFFIC SIGNAL INSTALLATION AND REMOVAL PLAN
IL ROUTE 50 AND TOWN CENTER DRIVE

SCALE: 1" = 20' SHEET OF SHEETS STA. TO STA.

F.A.P. RTE. 353 & 350	SECTION (22&23) TS-1	COUNTY COOK	TOTAL SHEETS 277	SHEET NO. 187
CONTRACT NO. 62G38				
ILLINOIS FED. AID PROJECT				

REVISED SHEET 06/06/2023 **TS 2630**
ECON 54

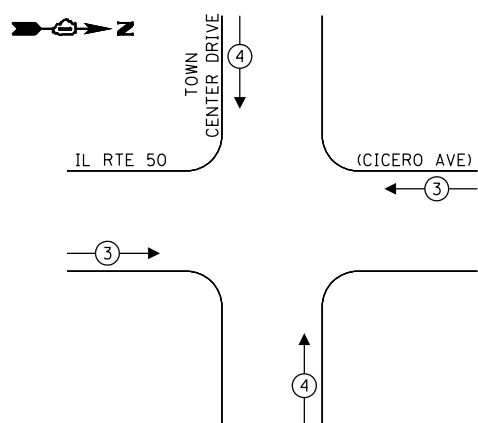
PROPOSED CONTROLLER SEQUENCE



LEGEND:

- ← ⊛ ← PROTECTED PHASE
- ← ⊛ - - PROTECTED/PERMITTED PHASE
- ← ⊛ → PEDESTRIAN PHASE
- ← ⊛ OL OVERLAP

PROPOSED EMERGENCY VEHICLE PREEMPTION SEQUENCE



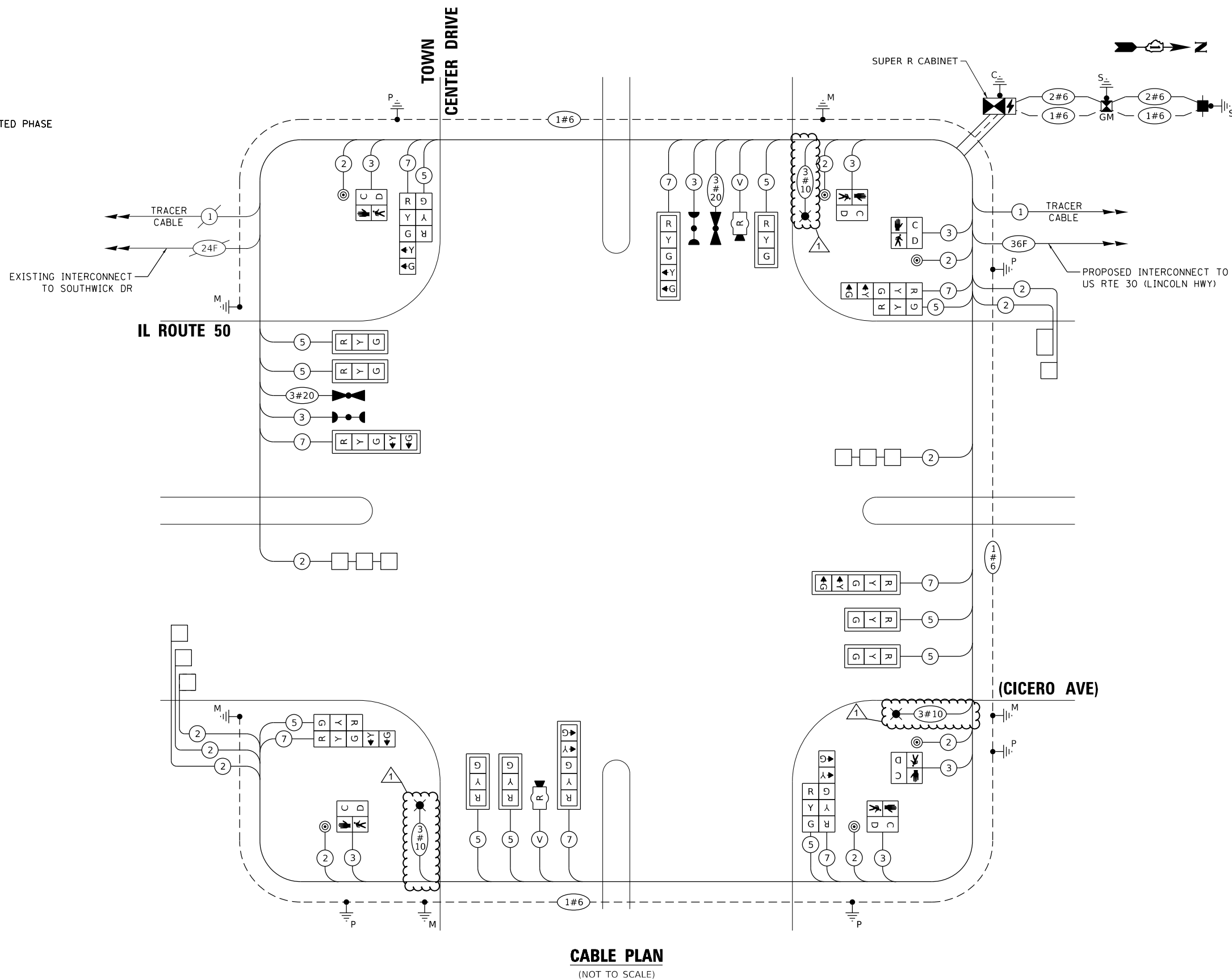
TRAFFIC SIGNAL ELECTRICAL SERVICE REQUIREMENTS

TYPE	NO. OF LAMPS	LED WATTAGE	% OPERATION	TOTAL WATTAGE
SIGNAL (RED)	19	11	50	99.0
(YELLOW)	19	20	5	18.0
(GREEN)	19	12	45	97.2
PERMISSIVE ARROW	16	10	10	16.0
PED. SIGNAL	6	20	100	120.0
CONTROLLER	1	100	100	100.0
UPS	1	25	100	25.0
VIDEO SYSTEM	-	150	100	-
BLANK-OUT SIGN	-	25	5	-
FLASHER	-	-	50	-
STREET NAME SIGN	-	120	50	-
LUMINAIRE	3	200	50	300.0
TOTAL =				787.1

ENERGY COSTS TO:

VILLAGE OF MATTESON
4900 VILLAGE COMMONS
MATTESON, IL 60443

ENERGY SUPPLY: CONTACT: ILYAS MAKIYUDDIN
PHONE: (708) 235-2632
COMPANY: COMMONWEALTH EDISON
ACCOUNT NUMBER: 10020-55095



CABLE PLAN
(NOT TO SCALE)

TS SHT NO. 65



USER NAME = MET	DESIGNED - ASH	REVISED - 06/06/2023
PLOT SCALE = 40.2189" / in.	DRAWN - ASH	REVISED -
PLOT DATE = 5/19/2023	CHECKED - JAC	REVISED -
	DATE - 2-28-2023	REVISED -

STATE OF ILLINOIS
DEPARTMENT OF TRANSPORTATION

**CABLE PLAN, PHASE DESIGNATION DIAGRAM,
AND EMERGENCY VEHICLE PREEMPTION SEQUENCE
IL ROUTE 50 AND TOWN CENTER DRIVE**

F.A.P. RTE. 353 & 350	SECTION (22&23) TS-1	COUNTY COOK	TOTAL SHEETS 277	SHEET NO. 198
ILLINOIS FED. AID PROJECT			CONTRACT NO. 62G38	

REVISD SHEET 06/06/2023

TS 2630
ECON 54