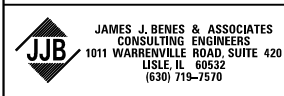


* - DENOTES SPECIALTY ITEMS

CODE NO.	ITEM	UNIT	URBAN TOTAL QUANTITY	CONSTRUCTION TYPE CODES													
				ROADWAY	ROADWAY	TRAFFIC SIGNALS IL ROUTE 7 @ 135TH STREET	TRAFFIC SIGNALS IL ROUTE 7 @ 131ST STREET	TRAFFIC SIGNAL INTERCONNECT	IL ROUTE 7 PRE-EMPTION EQUIPMENT	IL ROUTE 7 PRE-EMPTION EQUIPMENT	SHARED USE PATH	SIDEWALK	SIDEWALK	UTILITIES			
				100% FED (Covid) 0004	80% FED 20% STATE 0004	100% FED (Covid) 0021	STP-U 80% FED 15% STATE 5% ORLAND PARK 0021	100% FED (Covid) 0021	100% ORLAND FPD 0021	100% PALOS FPD 0021	100% FED (Covid) 0028	100% FED (Covid) 0021	100% FED (Covid) 0021	100% FED (Covid) 0043			
20101000	TEMPORARY FENCE	FOOT	296	296													
* 20101100	TREE TRUNK PROTECTION	EACH	10	10													
* 20101200	TREE ROOT PRUNING	EACH	10	10													
* 20101300	TREE PRUNING (1 TO 10 INCH DIAMETER)	EACH	10	10													
* 20101350	TREE PRUNING (OVER 10 INCH DIAMETER)	EACH	10	10													
20200100	EARTH EXCAVATION	CU YD	95,690		95,690												
20201200	REMOVAL AND DISPOSAL OF UNSUITABLE MATERIAL	CU YD	35,138	35,138													
20400800	FURNISHED EXCAVATION	CU YD	12,305	12,305													
20700220	POROUS GRANULAR EMBANKMENT	CU YD	1,610	1,610													
20800150	TRENCH BACKFILL	CU YD	3,779	3,779													
21001000	GEOTECHNICAL FABRIC FOR GROUND STABILIZATION	SO YD	13,942	13,942													
21101505	TOPSOIL EXCAVATION AND PLACEMENT	CU YD	5,033	5,033													
21101615	TOPSOIL FURNISH AND PLACE, 4"	SO YD	65,342	65,342													
* 25000210	SEEDING, CLASS 2A	ACRE	2.00	2.00													
* 25000314	SEEDING, CLASS 4B	ACRE	4.31	4.31													
* 25000322	SEEDING, CLASS 5A	ACRE	0.98	0.98													
* 25000400	NITROGEN FERTILIZER NUTRIENT	POUND	1,738	1,738													
* 25000600	POTASSIUM FERTILIZER NUTRIENT	POUND	1,738	1,738													
25000750	MOWING	ACRE	0.94	0.94													



USER NAME = Omar.Mesad	DESIGNED -	REVISED -
PLOT SCALE = 100.0000' / 1" =	DRAWN - OJM	REVISED -
PLOT DATE = 2/28/2023	CHECKED -	REVISED -
	DATE - 02/07/2023	REVISED -

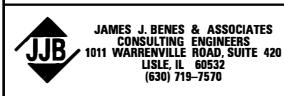
**STATE OF ILLINOIS
DEPARTMENT OF TRANSPORTATION**

SUMMARY OF QUANTITIES			
SCALE: N/A	SHEET NO.	OF SHEETS	STA. TO STA.

F.A.U. RTE. 3578	SECTION 2019-001-R	COUNTY COOK	TOTAL SHEETS 255	SHEET NO. 3
ILLINOIS FED. AID PROJECT				CONTRACT NO. 62H82

* - DENOTES SPECIALTY ITEMS

CODE NO.	ITEM	UNIT	TOTAL QUANTITY	CONSTRUCTION TYPE CODES											
				URBAN	ROADWAY	ROADWAY	TRAFFIC SIGNALS	TRAFFIC SIGNALS	TRAFFIC SIGNAL	IL ROUTE 7	IL ROUTE 7	SHARED USE PATH	SIDEWALK	SIDEWALK	UTILITIES
					100% FED (Covid)	80% FED 20% STATE	IL ROUTE 7 @ 135TH STREET	IL ROUTE 7 @ 131ST STREET	INTERCONNECT	PRE-EMPTION EQUIPMENT	PRE-EMPTION EQUIPMENT				
				0004	0004	0021	0021	0021	0021	0021	0028	0021	0021	0043	
* 25003210	INTERSEEDING, CLASS 2A	ACRE	0.07	0.07											
* 25003310	INTERSEEDING, CLASS 4	ACRE	1.09	1.09											
* 25003324	INTERSEEDING, CLASS 5B	ACRE	0.28	0.28											
* 25100900	TURF REINFORCEMENT MAT	SQ YD	1,128	1,128											
* 25200110	SODDING, SALT TOLERANT	SQ YD	3,666	3,666											
28000250	TEMPORARY EROSION CONTROL SEEDING	POUND	1,931	1,931											
* 28000400	PERIMETER EROSION BARRIER	FOOT	3,822	3,822											
* 28000500	INLET AND PIPE PROTECTION	EACH	20	20											
* 28000510	INLET FILTERS	EACH	44	44											
28100105	STONE RIPRAP CLASS A3	SQ YD	117	117											
28100107	STONE RIPRAP CLASS A4	SQ YD	524	524											
* 28200200	FILTER FABRIC	SQ YD	461	461											
30300001	AGGREGATE SUBGRADE IMPROVEMENT	CU YD	6,312	6,312											
30300112	AGGREGATE SUBGRADE IMPROVEMENT 12"	SQ YD	25,983	25,983											
31101200	SUBBASE GRANULAR MATERIAL, TYPE B 4"	SQ YD	1,993	1,993											
31101400	SUBBASE GRANULAR MATERIAL, TYPE B 6"	SQ YD	2,373								2,373				
35400300	PORTLAND CEMENT CONCRETE BASE COURSE WIDENING 8"	SQ YD	9	9											
35501316	HOT-MIX ASPHALT BASE COURSE, 8"	SQ YD	18,249	18,249											
35501324	HOT-MIX ASPHALT BASE COURSE, 10"	SQ YD	2,542	2,542											



USER NAME = Dmar_Mesad	DESIGNED -	REVISED -
PLOT SCALE = 100.0000' / 1in.	DRAWN - OJM	REVISED -
PLOT DATE = 2/28/2023	CHECKED -	REVISED -
	DATE - 02/07/2023	REVISED -

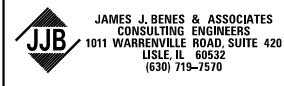
**STATE OF ILLINOIS
DEPARTMENT OF TRANSPORTATION**

SUMMARY OF QUANTITIES			
SCALE: N/A	SHEET NO.	OF SHEETS	STA. TO STA.

F.A.U. RTE.	SECTION	COUNTY	TOTAL SHEETS	SHEET NO.
3578	2019-001-R	COOK	255	4
CONTRACT NO. 62H82				
ILLINOIS FED. AID PROJECT				

* - DENOTES SPECIALTY ITEMS

CODE NO.	ITEM	UNIT	URBAN TOTAL QUANTITY	CONSTRUCTION TYPE CODES																	
				ROADWAY	ROADWAY	TRAFFIC SIGNALS IL ROUTE 7 @ 135TH STREET	TRAFFIC SIGNALS IL ROUTE 7 @ 131ST STREET	TRAFFIC SIGNAL INTERCONNECT	IL ROUTE 7 PRE-EMPTION EQUIPMENT	IL ROUTE 7 PRE-EMPTION EQUIPMENT	SHARED USE PATH	SIDEWALK	SIDEWALK	UTILITIES							
				100% FED (Covid) 0004	STP-U 80% FED 20% STATE 0004	100% FED (Covid) 0021	STP-U 80% FED 15% STATE 5% ORLAND PARK 0021	100% FED (Covid) 0021	100% ORLAND FPD 0021	100% PALOS FPD 0021	100% FED (Covid) 0028	100% FED (Covid) 0021	100% FED (Covid) 0021	100% FED (Covid) 0043							
35600708	HOT-MIX ASPHALT BASE COURSE WIDENING, 8"	SO YD	125	125																	
40600275	BITUMINOUS MATERIALS (PRIME COAT)	POUND	5,279										5,279								
40600290	BITUMINOUS MATERIALS (TACK COAT)	POUND	11,087	11,087																	
40600370	LONGITUDINAL JOINT SEALANT	FOOT	10,991	10,991																	
40600400	MIXTURE FOR CRACKS, JOINTS, AND FLANGEWAYS	TON	50	50																	
40600982	HOT-MIX ASPHALT SURFACE REMOVAL - BUTT JOINT	SO YD	52	52																	
40603085	HOT-MIX ASPHALT BINDER COURSE, IL-19.0, N70	TON	177	177																	
40604060	HOT-MIX ASPHALT SURFACE COURSE, IL-9.5, MIX "D", N50	TON	263										263								
40604062	HOT-MIX ASPHALT SURFACE COURSE, IL-9.5, MIX "D", N70	TON	2,759	2,759																	
42001300	PROTECTIVE COAT	SO YD	2,685	2,511														153	21		
42400200	PORTLAND CEMENT CONCRETE SIDEWALK 5 INCH	SO FT	1,559															1,373	186		
42400800	DETECTABLE WARNINGS	SO FT	97															73	24		
44000100	PAVEMENT REMOVAL	SO YD	21,415	21,415																	
44000157	HOT-MIX ASPHALT SURFACE REMOVAL, 2"	SO YD	3,782	3,782																	
44000200	DRIVEWAY PAVEMENT REMOVAL	SO YD	2,320	2,320																	
44000300	CURB REMOVAL	FOOT	22	22																	
44000500	COMBINATION CURB AND GUTTER REMOVAL	FOOT	1,121	1,121																	
44000600	SIDEWALK REMOVAL	SO FT	1,096	1,096																	
44201761	CLASS D PATCHES, TYPE I, 10 INCH	SO YD	95	95																	



USER NAME = Omar.Mesad	DESIGNED -	REVISED -
	DRAWN - OJM	REVISED -
PLOT SCALE = 100.0000' / 1in.	CHECKED -	REVISED -
PLOT DATE = 2/28/2023	DATE - 02/07/2023	REVISED -

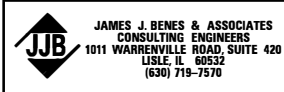
**STATE OF ILLINOIS
DEPARTMENT OF TRANSPORTATION**

SUMMARY OF QUANTITIES			
SCALE: N/A	SHEET NO. OF SHEETS	STA.	TO STA.

F.A.U. RTE.	SECTION	COUNTY	TOTAL SHEETS	SHEET NO.
3578	2019-001-R	COOK	255	5
ILLINOIS FED. AID PROJECT				CONTRACT NO. 62H82

* - DENOTES SPECIALTY ITEMS

CODE NO.	ITEM	UNIT	TOTAL QUANTITY	CONSTRUCTION TYPE CODES															
				URBAN	ROADWAY	ROADWAY	TRAFFIC SIGNALS IL ROUTE 7 @ 135TH STREET	TRAFFIC SIGNALS IL ROUTE 7 @ 131ST STREET	TRAFFIC SIGNAL INTERCONNECT	IL ROUTE 7 PRE-EMPTION EQUIPMENT	IL ROUTE 7 PRE-EMPTION EQUIPMENT	SHARED USE PATH	SIDEWALK	SIDEWALK	UTILITIES				
				100% FED (Covid) 0004	80% FED 20% STATE 0004	100% FED (Covid) 0021	5% ORLAND PARK STP-U 80% FED 15% STATE 0021	100% FED (Covid) 0021	100% ORLAND FPD 0021	100% PALOS FPD 0021	100% FED (Covid) 0028	100% FED (Covid) 0021	100% FED (Covid) 0021	100% FED (Covid) 0043					
44201765	CLASS D PATCHES, TYPE II, 10 NCH	SO YD	95	95															
44201769	CLASS D PATCHES, TYPE III, 10 INCH	SO YD	95	95															
44201771	CLASS D PATCHES, TYPE IV, 10 INCH	SO YD	95	95															
44201789	CLASS D PATCHES, TYPE II, 12 INCH	SO YD	15	15															
44201794	CLASS D PATCHES, TYPE III, 12 INCH	SO YD	192	192															
44201796	CLASS D PATCHES, TYPE IV, 12 INCH	SO YD	415	415															
48101500	AGGREGATE SHOULDERS, TYPE B 6"	SO YD	1,220	1,220															
48102100	AGGREGATE WEDGE SHOULDER, TYPE B	TON	105	105															
48203029	HOT-MIX ASPHALT SHOULDERS, 8"	SO YD	1,987	1,987															
50100400	REMOVAL OF EXISTING STRUCTURES NO. 2	EACH	1	1															
50100500	REMOVAL OF EXISTING STRUCTURES NO. 3	EACH	1	1															
50100600	REMOVAL OF EXISTING STRUCTURES NO. 4	EACH	1	1															
50100700	REMOVAL OF EXISTING STRUCTURES NO. 5	EACH	1	1															
50104400	CONCRETE HEADWALL REMOVAL	EACH	15	15															
50200100	STRUCTURE EXCAVATION	CU YD	205	205															
50200450	REMOVAL AND DISPOSAL OF UNSUITABLE MATERIAL FOR STRUCTURES	CU YD	792	792															
50300225	CONCRETE STRUCTURES	CU YD	44.3	44.3															
50300285	FORM LINER TEXTURED SURFACE	SO FT	1,458	1,458															
50500505	STUD SHEAR CONNECTORS	EACH	127	127															



USER NAME = Dmar_Mesad
 PLOT SCALE = 100.0000' / 1in.
 PLOT DATE = 2/28/2023

DESIGNED -
 DRAWN - OJM
 CHECKED -
 DATE - 02/07/2023

REVISED -
 REVISED -
 REVISED -
 REVISED -

STATE OF ILLINOIS
 DEPARTMENT OF TRANSPORTATION

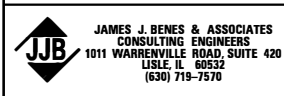
SUMMARY OF QUANTITIES

SCALE: N/A	SHEET NO.	OF	SHEETS	STA.	TO	STA.
------------	-----------	----	--------	------	----	------

F.A.U. RTE.	SECTION	COUNTY	TOTAL SHEETS	SHEET NO.
3578	2019-001-R	COOK	255	6
CONTRACT NO. 62H82				
ILLINOIS FED. AID PROJECT				

* - DENOTES SPECIALTY ITEMS

CODE NO.	ITEM	UNIT	TOTAL QUANTITY	CONSTRUCTION TYPE CODES														
				URBAN	ROADWAY	ROADWAY	TRAFFIC SIGNALS IL ROUTE 7 @ 135TH STREET	TRAFFIC SIGNALS IL ROUTE 7 @ 131ST STREET	TRAFFIC SIGNAL INTERCONNECT	IL ROUTE 7 PRE-EMPTION EQUIPMENT	IL ROUTE 7 PRE-EMPTION EQUIPMENT	SHARED USE PATH	SIDEWALK	SIDEWALK	UTILITIES			
					100% FED (Covid) 0004	80% FED 20% STATE 0004	100% FED (Covid) 0021	5% ORLAND PARK STP-U 80% FED 15% STATE 0021	100% FED (Covid) 0021	100% ORLAND FPD 0021	100% PALOS FPD 0021	100% FED (Covid) 0028	100% FED (Covid) 0021	100% FED (Covid) 0021	100% FED (Covid) 0043			
50800105	REINFORCEMENT BARS	POUND	105,280		105,280													
50800205	REINFORCEMENT BARS, EPOXY COATED	POUND	5,280		5,280													
50800515	BAR SPLICERS	EACH	136		136													
* 51200105	FURNISHING UNTREATED PILES UP TO 30 FEET	FOOT	2,938		2,938													
* 51202305	DRIVING PILES	FOOT	2,938		2,938													
* 51202900	TEST PILE TIMBER	EACH	1		1													
* 51500100	NAME PLATES	EACH	6		6													
* 52200020	TEMPORARY SOIL RETENTION SYSTEM	SO FT	5,402		5,402													
* 52200100	FURNISHING SOLDIER PILES (HP SECTION)	FOOT	1,189		1,189													
* 52200150	DRIVING SOLDIER PILES	FOOT	1,189		1,189													
* 52200250	UNTREATED TIMBER LAGGING	SO FT	1,128		1,128													
52200900	CONCRETE STRUCTURES (RETAINING WALL)	CU YD	67.8		67.8													
54001001	BOX CULVERT END SECTIONS, CULVERT NO. 1	EACH	1		1													
54001002	BOX CULVERT END SECTIONS, CULVERT NO. 2	EACH	2		2													
54001004	BOX CULVERT END SECTIONS, CULVERT NO. 4	EACH	2		2													
54003000	CONCRETE BOX CULVERTS	CU YD	483.0		483.0													
54010404	PRECAST CONCRETE BOX CULVERTS 4' X 4'	FOOT	49		49													
54010806	PRECAST CONCRETE BOX CULVERTS 8' X 6'	FOOT	113		113													
54011208	PRECAST CONCRETE BOX CULVERTS 12' X 8'	FOOT	45		45													



USER NAME = Dmar_Mesad	DESIGNED -	REVISED -
	DRAWN - OJM	REVISED -
PLOT SCALE = 100.0000' / 1in.	CHECKED -	REVISED -
PLOT DATE = 2/28/2023	DATE - 02/07/2023	REVISED -

**STATE OF ILLINOIS
DEPARTMENT OF TRANSPORTATION**

SUMMARY OF QUANTITIES			
SCALE: N/A	SHEET NO.	OF SHEETS	STA. TO STA.

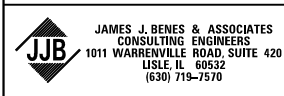
F.A.U. RTE. 3578	SECTION 2019-001-R	COUNTY COOK	TOTAL SHEETS 255	SHEET NO. 7
CONTRACT NO. 62H82				ILLINOIS FED. AID PROJECT

* - DENOTES SPECIALTY ITEMS

CODE NO.	ITEM	UNIT	URBAN TOTAL QUANTITY	CONSTRUCTION TYPE CODES																							
				ROADWAY	ROADWAY	TRAFFIC SIGNALS	TRAFFIC SIGNALS	TRAFFIC SIGNAL	IL ROUTE 7	IL ROUTE 7	SHARED USE PATH	SIDEWALK	SIDEWALK	UTILITIES													
				100% FED (Covid) 0004	STP-U 80% FED 20% STATE 0004	IL ROUTE 7 @ 135TH STREET 0021	IL ROUTE 7 @ 131ST STREET STP-U 80% FED 15% STATE 5% ORLAND PARK 0021	INTERCONNECT 0021	PRE-EMPTION EQUIPMENT 0021	PRE-EMPTION EQUIPMENT 0021	0028	0021	0021	100% FED (Covid) 0043													
54213657	PRECAST REINFORCED CONCRETE FLARED END SECTIONS 12"	EACH	10	10																							
54213660	PRECAST REINFORCED CONCRETE FLARED END SECTIONS 15"	EACH	3	3																							
54213663	PRECAST REINFORCED CONCRETE FLARED END SECTIONS 18"	EACH	2	2																							
54213681	PRECAST REINFORCED CONCRETE FLARED END SECTIONS 36"	EACH	1	1																							
54213693	PRECAST REINFORCED CONCRETE FLARED END SECTIONS 48"	EACH	6	6																							
54213705	PRECAST REINFORCED CONCRETE FLARED END SECTIONS 60"	EACH	2	2																							
54213717	PRECAST REINFORCED CONCRETE FLARED END SECTIONS 72"	EACH	4	4																							
550A0050	STORM SEWERS, CLASS A, TYPE 1 12"	FOOT	351	351																							
550A0070	STORM SEWERS, CLASS A, TYPE 1 15"	FOOT	122	122																							
550A0120	STORM SEWERS, CLASS A, TYPE 1 24"	FOOT	35	35																							
550A0160	STORM SEWERS, CLASS A, TYPE 1 36"	FOOT	140	140																							
550A0210	STORM SEWERS, CLASS A, TYPE 1 60"	FOOT	375	375																							
550A0230	STORM SEWERS, CLASS A, TYPE 1 72"	FOOT	1,137	1,137																							
550A0340	STORM SEWERS, CLASS A, TYPE 2 12"	FOOT	358	358																							
550A0360	STORM SEWERS, CLASS A, TYPE 2 15"	FOOT	5	5																							
550A0380	STORM SEWERS, CLASS A, TYPE 2 18"	FOOT	34	34																							
550A0420	STORM SEWERS, CLASS A, TYPE 2 27"	FOOT	193	193																							
550A0430	STORM SEWERS, CLASS A, TYPE 2 30"	FOOT	90	90																							
550A0480	STORM SEWERS, CLASS A, TYPE 2 48"	FOOT	753	753																							

* - DENOTES SPECIALTY ITEMS

CODE NO.	ITEM	UNIT	URBAN TOTAL QUANTITY	CONSTRUCTION TYPE CODES													
				ROADWAY	ROADWAY	TRAFFIC SIGNALS IL ROUTE 7 @ 135TH STREET	TRAFFIC SIGNALS IL ROUTE 7 @ 131ST STREET	TRAFFIC SIGNAL INTERCONNECT	IL ROUTE 7 PRE-EMPTION EQUIPMENT	IL ROUTE 7 PRE-EMPTION EQUIPMENT	SHARED USE PATH	SIDEWALK	SIDEWALK	UTILITIES			
				100% FED (Covid) 0004	80% FED 20% STATE 0004	100% FED (Covid) 0021	STP-U 80% FED 15% STATE 5% ORLAND PARK 0021	100% FED (Covid) 0021	100% ORLAND FPD 0021	100% PALOS FPD 0021	100% FED (Covid) 0028	100% FED (Covid) 0021	100% FED (Covid) 0021	100% FED (Covid) 0043			
550A0500	STORM SEWERS, CLASS A, TYPE 2 60"	FOOT	85	85													
550A0520	STORM SEWERS, CLASS A, TYPE 2 72"	FOOT	1,481	1,481													
55100500	STORM SEWER REMOVAL 12"	FOOT	265	265													
55100700	STORM SEWER REMOVAL 15"	FOOT	297	297													
55101200	STORM SEWER REMOVAL 24"	FOOT	260	260													
55101600	STORM SEWER REMOVAL 36"	FOOT	179	179													
55101900	STORM SEWER REMOVAL 48"	FOOT	865	865													
55102100	STORM SEWER REMOVAL 60"	FOOT	580	580													
* 56103300	DUCTILE IRON WATER MAIN 12"	FOOT	584														584
* 56105702	INSERTING VALVES 12"	EACH	2														2
* 56400100	FIRE HYDRANTS TO BE MOVED	EACH	1														1
* 56400300	FIRE HYDRANTS TO BE ADJUSTED	EACH	1														1
* 56400500	FIRE HYDRANTS TO BE REMOVED	EACH	1														1
* 56400820	FIRE HYDRANT WITH AUXILIARY VALVE AND VALVE BOX	EACH	1														1
58700300	CONCRETE SEALER	SO FT	2,389	2,389													
* 59100100	GEOCOMPOSITE WALL DRAIN	SO YD	770	770													
60108204	PIPE UNDERDRAINS, TYPE 2, 4"	FOOT	210	210													
60146304	PIPE UNDERDRAINS FOR STRUCTURES 4"	FOOT	375	375													
60200805	CATCH BASINS, TYPE A, 4'-DIAMETER, TYPE B GRATE	EACH	6	6													



USER NAME = Omar.Mesad	DESIGNED -	REVISED -
	DRAWN - OJM	REVISED -
PLOT SCALE = 100.0000' / 1" =	CHECKED -	REVISED -
PLOT DATE = 2/28/2023	DATE - 02/07/2023	REVISED -

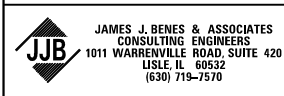
**STATE OF ILLINOIS
DEPARTMENT OF TRANSPORTATION**

SUMMARY OF QUANTITIES			
SCALE: N/A	SHEET NO.	OF SHEETS	STA. TO STA.

F.A.U. RTE. 3578	SECTION 2019-001-R	COUNTY COOK	TOTAL SHEETS 255	SHEET NO. 9
CONTRACT NO. 62H82				ILLINOIS FED. AID PROJECT

* - DENOTES SPECIALTY ITEMS

CODE NO.	ITEM	UNIT	URBAN TOTAL QUANTITY	CONSTRUCTION TYPE CODES													
				ROADWAY	ROADWAY	TRAFFIC SIGNALS	TRAFFIC SIGNALS	TRAFFIC SIGNAL	IL ROUTE 7	IL ROUTE 7	SHARED USE PATH	SIDEWALK	SIDEWALK	UTILITIES			
				100% FED (Covid) 0004	80% FED 20% STATE 0004	IL ROUTE 7 @ 135TH STREET 0021	IL ROUTE 7 @ 131ST STREET STP-U 80% FED 15% STATE 0021	INTERCONNECT 0021	PRE-EMPTION EQUIPMENT 0021	PRE-EMPTION EQUIPMENT 0021	0028	0021	0021	100% FED (Covid) 0043			
60201340	CATCH BASINS, TYPE A, 4'-DIAMETER, TYPE 24 FRAME AND GRATE	EACH	21	21													
60218400	MANHOLES, TYPE A, 4'-DIAMETER, TYPE 1 FRAME, CLOSED LID	EACH	1	1													
60219000	MANHOLES, TYPE A, 4'-DIAMETER, TYPE 8 GRATE	EACH	2	2													
60221100	MANHOLES, TYPE A, 5'-DIAMETER, TYPE 1 FRAME, CLOSED LID	EACH	2	2													
60223800	MANHOLES, TYPE A, 6'-DIAMETER, TYPE 1 FRAME, CLOSED LID	EACH	3	3													
60224459	MANHOLES, TYPE A, 8'-DIAMETER, TYPE 1 FRAME, CLOSED LID	EACH	2	2													
60237470	INLETS, TYPE A, TYPE 24 FRAME AND GRATE	EACH	8	8													
* 60248900	VALVE VAULTS, TYPE A, 5'-DIAMETER, TYPE 1 FRAME, CLOSED LID	EACH	3														3
60255500	MANHOLES TO BE ADJUSTED	EACH	2	2													
* 60265700	VALVE VAULTS TO BE ADJUSTED	EACH	4														4
* 60266600	VALVE BOXES TO BE ADJUSTED	EACH	1														1
60406100	FRAMES AND LIDS, TYPE 1, CLOSED LID	EACH	21	21													
60500040	REMOVING MANHOLES	EACH	4	4													
60500060	REMOVING INLETS	EACH	2	2													
60600095	CLASS SI CONCRETE (OUTLET)	CU YD	6	6													
60600605	CONCRETE CURB, TYPE B	FOOT	111	111													
60603800	COMBINATION CONCRETE CURB AND GUTTER, TYPE B-6.12	FOOT	983	983													
60605000	COMBINATION CONCRETE CURB AND GUTTER, TYPE B-6.24	FOOT	6,842	6,842													
60801018	FLAP GATE 18"	EACH	1	1													



USER NAME = Omar.Mesad	DESIGNED -	REVISED -
	DRAWN - OJM	REVISED -
PLOT SCALE = 100.0000' / 1" =	CHECKED -	REVISED -
PLOT DATE = 2/28/2023	DATE - 02/07/2023	REVISED -

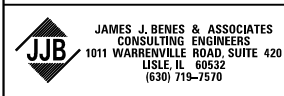
**STATE OF ILLINOIS
DEPARTMENT OF TRANSPORTATION**

SUMMARY OF QUANTITIES			
SCALE: N/A	SHEET NO. OF SHEETS	STA.	TO STA.

F.A.U. RTE. 3578	SECTION 2019-001-R	COUNTY COOK	TOTAL SHEETS 255	SHEET NO. 10
CONTRACT NO. 62H82				ILLINOIS FED. AID PROJECT

* - DENOTES SPECIALTY ITEMS

CODE NO.	ITEM	UNIT	TOTAL QUANTITY	CONSTRUCTION TYPE CODES													
				URBAN	ROADWAY	ROADWAY	TRAFFIC SIGNALS IL ROUTE 7 @ 135TH STREET	TRAFFIC SIGNALS IL ROUTE 7 @ 131ST STREET	TRAFFIC SIGNAL INTERCONNECT	IL ROUTE 7 PRE-EMPTION EQUIPMENT	IL ROUTE 7 PRE-EMPTION EQUIPMENT	SHARED USE PATH	SIDEWALK	SIDEWALK	UTILITIES		
					100% FED (Covid) 0004	80% FED 20% STATE STP-U 0004	100% FED (Covid) 0021	5% ORLAND PARK STP-U 80% FED 15% STATE 0021	100% FED (Covid) 0021	100% ORLAND FPD 0021	100% PALOS FPD 0021	100% FED (Covid) 0028	100% FED (Covid) 0021	100% FED (Covid) 0021	100% FED (Covid) 0043		
60905305	BOX CULVERTS TO BE CLEANED	FOOT	55		55												
63000001	STEEL PLATE BEAM GUARDRAIL, TYPE A, 6 FOOT POSTS	FOOT	4,892		4,892												
63000030	STRONG POST GUARDRAIL ATTACHED TO CULVERT	FOOT	32		32												
63000350	LONG-SPAN GUARDRAIL OVER CULVERT, 12 FT 6 IN SPAN	FOOT	50		50												
63000360	LONG-SPAN GUARDRAIL OVER CULVERT, 18 FT 9 IN SPAN	FOOT	38		38												
63100167	TRAFFIC BARRIER TERMINAL, TYPE 1 (SPECIAL) TANGENT	EACH	12		12												
63200310	GUARDRAIL REMOVAL	FOOT	2,075		2,075												
63500105	DELINEATORS	EACH	4		4												
63500310	REMOVE AND REINSTALL DELINEATORS	EACH	13		13												
66400305	CHAIN LINK FENCE, 6'	FOOT	403		403												
66900105	UNDERGROUND STORAGE TANK REMOVAL	EACH	1		1												
66900200	NON-SPECIAL WASTE DISPOSAL	CU YD	42,110			42,110											
66900530	SOIL DISPOSAL ANALYSIS	EACH	6		6												
66901000	BACKFILL PLUGS	CU YD	39		39												
66901001	REGULATED SUBSTANCES PRE-CONSTRUCTION PLAN	LSUM	1		1												
66901003	REGULATED SUBSTANCES FINAL CONSTRUCTION REPORT	LSUM	1		1												
66901006	REGULATED SUBSTANCES MONITORING	CAL DA	50		50												
67100100	MOBILIZATION	L SUM	1		1												
67201000	SEALING ABANDONED WATER WELLS	EACH	1		1												



USER NAME = Omar.Mesad	DESIGNED -	REVISED -
PLOT SCALE = 100.0000' / 1" =	DRAWN - OJM	REVISED -
PLOT DATE = 2/28/2023	CHECKED -	REVISED -
	DATE - 02/07/2023	REVISED -

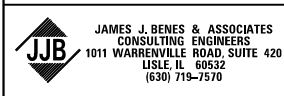
**STATE OF ILLINOIS
DEPARTMENT OF TRANSPORTATION**

SUMMARY OF QUANTITIES			
SCALE: N/A	SHEET NO. OF SHEETS	STA. TO STA.	

F.A.U. RTE. 3578	SECTION 2019-001-R	COUNTY COOK	TOTAL SHEETS 255	SHEET NO. 11
CONTRACT NO. 62H82				
ILLINOIS FED. AID PROJECT				

* - DENOTES SPECIALTY ITEMS

CODE NO.	ITEM	UNIT	TOTAL QUANTITY	CONSTRUCTION TYPE CODES												
				URBAN	ROADWAY	ROADWAY	TRAFFIC SIGNALS IL ROUTE 7 @ 135TH STREET	TRAFFIC SIGNALS IL ROUTE 7 @ 131ST STREET	TRAFFIC SIGNAL INTERCONNECT	IL ROUTE 7 PRE-EMPTION EQUIPMENT	IL ROUTE 7 PRE-EMPTION EQUIPMENT	SHARED USE PATH	SIDEWALK	SIDEWALK	UTILITIES	
				100% FED (Covid) 0004	80% FED 20% STATE 0004	100% FED (Covid) 0021	STP-U 80% FED 15% STATE 5% ORLAND PARK 0021	100% FED (Covid) 0021	100% ORLAND FPD 0021	100% PALOS FPD 0021	100% FED (Covid) 0028	100% FED (Covid) 0021	100% FED (Covid) 0021	100% FED (Covid) 0043		
70107025	CHANGEABLE MESSAGE SIGN	CAL DA	1,080	1,080												
70300150	SHORT TERM PAVEMENT MARKING REMOVAL	SO FT	19,697	19,697												
70300211	TEMPORARY PAVEMENT MARKING LETTERS AND SYMBOLS - PAINT	SO FT	505	505												
70300221	TEMPORARY PAVEMENT MARKING - LINE 4"- PAINT	FOOT	41,713	41,713												
70300241	TEMPORARY PAVEMENT MARKING - LINE 6"- PAINT	FOOT	2,233	2,233												
70300261	TEMPORARY PAVEMENT MARKING - LINE 12"- PAINT	FOOT	1,044	1,044												
70300281	TEMPORARY PAVEMENT MARKING - LINE 24"- PAINT	FOOT	491	491												
70307120	TEMPORARY PAVEMENT MARKING - LINE 4" - TYPE IV TAPE	FOOT	6,285	6,285												
70307130	TEMPORARY PAVEMENT MARKING - LINE 6" - TYPE IV TAPE	FOOT	101	101												
70400100	TEMPORARY CONCRETE BARRIER	FOOT	3,907	3,907												
70600260	IMPACT ATTENUATORS, TEMPORARY (FULLY REDIRECTIVE, NARROW), TEST LEVEL 3	EACH	8	8												
* 72000100	SIGN PANEL - TYPE 1	SO FT	126	81			33	12								
* 72000200	SIGN PANEL - TYPE 2	SO FT	42				21	21								
* 72900200	METAL POST - TYPE B	FOOT	190	190												
* 78000100	THERMOPLASTIC PAVEMENT MARKING - LETTERS AND SYMBOLS	SO FT	728	728												
* 78000200	THERMOPLASTIC PAVEMENT MARKING - LINE 4"	FOOT	22,381	22,381												
* 78000400	THERMOPLASTIC PAVEMENT MARKING - LINE 6"	FOOT	3,674	3,674												
* 78000600	THERMOPLASTIC PAVEMENT MARKING - LINE 12"	FOOT	157	157												
* 78000650	THERMOPLASTIC PAVEMENT MARKING - LINE 24"	FOOT	269	269												



USER NAME = Omar.Mesad	DESIGNED -	REVISED -
	DRAWN - OJM	REVISED -
PLOT SCALE = 100.0000' / 1" =	CHECKED -	REVISED -
PLOT DATE = 2/28/2023	DATE - 02/07/2023	REVISED -

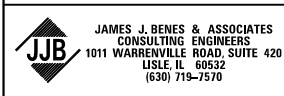
STATE OF ILLINOIS
DEPARTMENT OF TRANSPORTATION

SUMMARY OF QUANTITIES			
SCALE: N/A	SHEET NO.	OF SHEETS	STA. TO STA.

F.A.U. RTE.	SECTION	COUNTY	TOTAL SHEETS	SHEET NO.
3578	2019-001-R	COOK	255	12
CONTRACT NO. 62H82				
ILLINOIS FED. AID PROJECT				

* - DENOTES SPECIALTY ITEMS

CODE NO.	ITEM	UNIT	TOTAL QUANTITY	CONSTRUCTION TYPE CODES														
				URBAN	ROADWAY	ROADWAY	TRAFFIC SIGNALS IL ROUTE 7 @ 135TH STREET	TRAFFIC SIGNALS IL ROUTE 7 @ 131ST STREET	TRAFFIC SIGNAL INTERCONNECT	IL ROUTE 7 PRE-EMPTION EQUIPMENT	IL ROUTE 7 PRE-EMPTION EQUIPMENT	SHARED USE PATH	SIDEWALK	SIDEWALK	UTILITIES			
					100% FED (Covid) 0004	80% FED 20% STATE 0004	100% FED (Covid) 0021	STP-U 80% FED 15% STATE 5% ORLAND PARK 0021	100% FED (Covid) 0021	100% ORLAND FPD 0021	100% PALOS FPD 0021	100% FED (Covid) 0028	100% FED (Covid) 0021	100% FED (Covid) 0021	100% FED (Covid) 0043			
* 78009000	MODIFIED URETHANE PAVEMENT MARKING - LETTERS AND SYMBOLS	SO FT	109		109													
* 78009004	MODIFIED URETHANE PAVEMENT MARKING - LINE 4"	FOOT	636		636													
* 78009006	MODIFIED URETHANE PAVEMENT MARKING - LINE 6"	FOOT	900		900													
* 78009008	MODIFIED URETHANE PAVEMENT MARKING - LINE 8"	FOOT	202		202													
* 78009012	MODIFIED URETHANE PAVEMENT MARKING - LINE 12"	FOOT	155		155													
* 78009024	MODIFIED URETHANE PAVEMENT MARKING - LINE 24"	FOOT	129		129													
* 78100100	RAISED REFLECTIVE PAVEMENT MARKER	EACH	285		285													
78100200	TEMPORARY RAISED REFLECTIVE PAVEMENT MARKER	EACH	111		111													
78300200	RAISED REFLECTIVE PAVEMENT MARKER REMOVAL	EACH	48		48													
78300201	PAVEMENT MARKING REMOVAL - GRINDING	SO FT	5,131		5,131													
* 81028200	UNDERGROUND CONDUIT, GALVANIZED STEEL, 2" DIA.	FOOT	4,161				978	690	2,493									
* 81028220	UNDERGROUND CONDUIT, GALVANIZED STEEL, 3" DIA.	FOOT	334				178	156										
* 81028240	UNDERGROUND CONDUIT, GALVANIZED STEEL, 4" DIA.	FOOT	1,122				567	555										
* 81400100	HANDHOLE	EACH	12				4	4	4									
* 81400200	HEAVY-DUTY HANDHOLE	EACH	6				3	3										
* 81400300	DOUBLE HANDHOLE	EACH	4				2	2										
* 86400100	TRANSCEIVER • FIBER OPTIC	EACH	2				1	1										
* 87300925	ELECTRIC CABLE IN CONDUIT , TRACER NO. 14 1C	FOOT	2,959						2,959									
* 87301215	ELECTRIC CABLE IN CONDUIT, SIGNAL NO. 14 2C	FOOT	1,219				247	972										



USER NAME = Omar.Mesad	DESIGNED -	REVISED -
PLOT SCALE = 100.0000' / 1" =	DRAWN - OJM	REVISED -
PLOT DATE = 2/28/2023	CHECKED -	REVISED -
	DATE - 02/07/2023	REVISED -

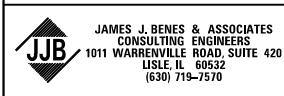
**STATE OF ILLINOIS
DEPARTMENT OF TRANSPORTATION**

SUMMARY OF QUANTITIES			
SCALE: N/A	SHEET NO.	OF SHEETS	STA. TO STA.

F.A.U. RTE. 3578	SECTION 2019-001-R	COUNTY COOK	TOTAL SHEETS 255	SHEET NO. 13
ILLINOIS FED. AID PROJECT				CONTRACT NO. 62H82

* - DENOTES SPECIALTY ITEMS

CODE NO.	ITEM	UNIT	TOTAL QUANTITY	CONSTRUCTION TYPE CODES												
				URBAN		ROADWAY	ROADWAY	TRAFFIC SIGNALS	TRAFFIC SIGNALS	TRAFFIC SIGNAL	IL ROUTE 7	IL ROUTE 7	SHARED USE PATH	SIDEWALK	SIDEWALK	UTILITIES
				100% FED (Covid)	80% FED	ROADWAY STP-U	TRAFFIC SIGNALS IL ROUTE 7 @ 135TH STREET	TRAFFIC SIGNALS IL ROUTE 7 @ 131ST STREET	TRAFFIC SIGNAL INTERCONNECT	PRE-EMPTION EQUIPMENT	PRE-EMPTION EQUIPMENT					
0004	20% STATE	0004	0021	5% ORLAND PARK	0021	0021	100% ORLAND FPD	100% PALOS FPD	0028	0021	0021	0043				
87301225	ELECTRIC CABLE IN CONDUIT, SIGNAL NO. 14 3C	FOOT	1,964				621	1,343								
87301245	ELECTRIC CABLE IN CONDUIT, SIGNAL NO. 14 5C	FOOT	1,990				1,141	849								
87301255	ELECTRIC CABLE IN CONDUIT, SIGNAL NO. 14 7C	FOOT	5,278				2,755	2,523								
87301305	ELECTRIC CABLE IN CONDUIT, LEAD-IN, NO. 14 1 PAIR	FOOT	2,563				1,252	1,311								
87301750	ELECTRIC CABLE IN CONDUIT, RAILROAD, NO. 14 3C	FOOT	369				369									
87301805	ELECTRIC CABLE IN CONDUIT, SERVICE, NO. 6 2C	FOOT	278				141	137								
87301900	ELECTRIC CABLE IN CONDUIT, EQUIPMENT GROUNDING CONDUCTOR, NO. 6 1C	FOOT	2,190				1,200	990								
87502500	TRAFFIC SIGNAL POST, GALVANIZED STEEL 16 FT.	EACH	7				3	4								
* 87700220	STEEL MAST ARM ASSEMBLY AND POLE, 36 FT.	EACH	3				2	1								
87700230	STEEL MAST ARM ASSEMBLY AND POLE, 38 FT.	EACH	3				1	2								
87700250	STEEL MAST ARM ASSEMBLY AND POLE, 42 FT.	EACH	1					1								
87700270	STEEL MAST ARM ASSEMBLY AND POLE, 46 FT.	EACH	1				1									
87700300	STEEL MAST ARM ASSEMBLY AND POLE, 52 FT.	EACH	1				1									
87800100	CONCRETE FOUNDATION, TYPE A	FOOT	36				16	20								
87800150	CONCRETE FOUNDATION, TYPE C	FOOT	8				4	4								
87800400	CONCRETE FOUNDATION, TYPE E 30-INCH DIAMETER	FOOT	81.0				40.5	40.5								
87800415	CONCRETE FOUNDATION, TYPE E 36-INCH DIAMETER	FOOT	41				28	13								
88030020	SIGNAL HEAD, LED, 1-FACE, 3-SECTION, MAST ARM MOUNTED	EACH	5				3	2								
88030050	SIGNAL HEAD, LED, 1-FACE, 3-SECTION, BRACKET MOUNTED	EACH	4				2	2								



USER NAME = Omar.Mesad	DESIGNED -	REVISED -
PLOT SCALE = 100.0000' / 1" =	DRAWN - OJM	REVISED -
PLOT DATE = 2/28/2023	CHECKED -	REVISED -
	DATE - 02/07/2023	REVISED -

**STATE OF ILLINOIS
DEPARTMENT OF TRANSPORTATION**

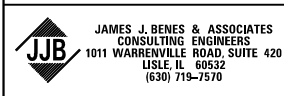
SUMMARY OF QUANTITIES			
SCALE: N/A	SHEET NO.	OF SHEETS	STA. TO STA.

F.A.U. RTE.	SECTION	COUNTY	TOTAL SHEETS	SHEET NO.
3578	2019-001-R	COOK	255	14
CONTRACT NO. 62H82				
ILLINOIS FED. AID PROJECT				

* - DENOTES SPECIALTY ITEMS

CODE NO.	ITEM	UNIT	TOTAL QUANTITY	CONSTRUCTION TYPE CODES												
				URBAN		ROADWAY	ROADWAY	TRAFFIC SIGNALS IL ROUTE 7 @ 135TH STREET	TRAFFIC SIGNALS IL ROUTE 7 @ 131ST STREET	TRAFFIC SIGNAL INTERCONNECT	IL ROUTE 7 PRE-EMPTION EQUIPMENT	IL ROUTE 7 PRE-EMPTION EQUIPMENT	SHARED USE PATH	SIDEWALK	SIDEWALK	UTILITIES
				100% FED (Covid) 0004	80% FED 20% STATE 0004	100% FED (Covid) 0021	5% ORLAND PARK STP-U 80% FED 15% STATE 0021	100% FED (Covid) 0021	100% ORLAND FPD 0021	100% PALOS FPD 0021	100% FED (Covid) 0028	100% FED (Covid) 0021	100% FED (Covid) 0021	100% FED (Covid) 0043		
88030100	SIGNAL HEAD, LED, 1-FACE, 5-SECTION, BRACKET MOUNTED	EACH	11			5	6									
88030110	SIGNAL HEAD, LED, 1-FACE, 5-SECTION, MAST ARM MOUNTED	EACH	13			7	6									
88102717	PEDESTRIAN SIGNAL HEAD, LED, 1-FACE, BRACKET MOUNTED WITH COUNTDOWN TIMER	EACH	6			2	4									
88200410	TRAFFIC SIGNAL BACKPLATE, LOUVERED, FORMED PLASTIC	EACH	18			10	8									
88500100	INDUCTIVE LOOP DETECTOR	EACH	8			4	4									
88600100	DETECTOR LOOP, TYPE I	FOOT	566			285	281									
88700200	LIGHT DETECTOR	EACH	4						2	2						
88700300	LIGHT DETECTOR AMPLIFIER	EACH	2						1	1						
89000100	TEMPORARY TRAFFIC SIGNAL INSTALLATION	EACH	2			1	1									
89502375	REMOVE EXISTING TRAFFIC SIGNAL EQUIPMENT	EACH	2			1	1									
89502380	REMOVE EXISTING HANDHOLE	EACH	18			10	8									
89502382	REMOVE EXISTING DOUBLE HANDHOLE	EACH	2			1	1									
89502385	REMOVE EXISTING CONCRETE FOUNDATION	EACH	18			9	9									
A2002366	TREE, BETULA NIGRA (RIVER BIRCH), 6' HEIGHT, CLUMP FORM, BALLED AND BURLAPPED	EACH	8	8												
A2002564	TREE, CARPINUS CAROLINIANA (AMERICAN HORNBEAM), 5' HEIGHT, SHRUB FORM, BALLED AND BURLAPPED	EACH	14	14												
A2002914	TREE, CELTIS OCCIDENTALIS (COMMON HACKBERRY), 1-3/4" CALIPER, BALLED AND BURLAPPED	EACH	7	7												
A2004714	TREE, GLEDITSIA TRIACANTHOS INERMIS SHADEMASTER (SHADEMASTER THORNLESS COMMON HONEYLOCUST), 1-3/4" CALIPER, BALLED AND BURLAPPED	EACH	7	7												

* (next to row 89000100)



USER NAME = Omar.Mesad	DESIGNED -	REVISED -
	DRAWN - OJM	REVISED -
PLOT SCALE = 100.0000' / 1in.	CHECKED -	REVISED -
PLOT DATE = 2/28/2023	DATE - 02/07/2023	REVISED -

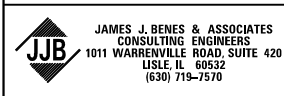
STATE OF ILLINOIS
DEPARTMENT OF TRANSPORTATION

SUMMARY OF QUANTITIES			
SCALE: N/A	SHEET NO.	OF SHEETS	STA. TO STA.

F.A.U. RTE.	SECTION	COUNTY	TOTAL SHEETS	SHEET NO.
3578	2019-001-R	COOK	255	15
CONTRACT NO. 62H82				
ILLINOIS FED. AID PROJECT				

* - DENOTES SPECIALTY ITEMS

CODE NO.	ITEM	UNIT	URBAN TOTAL QUANTITY	CONSTRUCTION TYPE CODES														
				ROADWAY	ROADWAY	TRAFFIC SIGNALS	TRAFFIC SIGNALS	TRAFFIC SIGNAL	IL ROUTE 7	IL ROUTE 7	SHARED USE PATH	SIDEWALK	SIDEWALK	UTILITIES				
				100% FED (Covid) 0004	80% FED 20% STATE 0004	IL ROUTE 7 @ 135TH STREET 0021	IL ROUTE 7 @ 131ST STREET STP-U 80% FED 15% STATE 0021	INTERCONNECT 0021	PRE-EMPTION EQUIPMENT 0021	PRE-EMPTION EQUIPMENT 0021	0028	0021	0021	100% FED (Covid) 0043				
A2006414	TREE, QUERCUS ALBA (WHITE OAK), 1-3/4" CALIPER, BALLED AND BURLAPPED	EACH	3	3														
A2006514	TREE, QUERCUS BICOLOR (SWAMP WHITE OAK), 1-3/4" CALIPER, BALLED AND BURLAPPED	EACH	16	16														
A2006712	TREE, QUERCUS MACROCARPA (BUR OAK), 1-1/2" CALIPER, BALLED AND BURLAPPED	EACH	6	6														
A2006814	TREE, QUERCUS MUEHLENBERGII (CHINKAPIN OAK), 1-3/4" CALIPER, BALLED AND BURLAPPED	EACH	7	7														
A2007616	TREE, TAXODIUM DISTICHUM (COMMON BALD CYPRESS), 2" CALIPER, BALLED AND BURLAPPED	EACH	11	11														
A2017816	TREE, TILIA AMERICANA MCKSENTRY (SENTRY AMERICAN LINDEN/ BASSWOOD), 2" CALIPER, BALLED AND BURLAPPED	EACH	6	6														
B2001164	TREE, CERCIS CANADENSIS (EASTERN REDBUD), 5' HEIGHT, CLUMP FORM, BALLED AND BURLAPPED	EACH	5	5														
* C2002036	SHRUB, CORYLUS AMERICANA (AMERICAN FILBERT), 3' HEIGHT, BALLED AND BURLAPPED	EACH	15	15														
C2C01424	SHRUB, CORNUS AMOMUM (SILKY DOGWOOD), 2' HEIGHT, CONTAINER	EACH	25	25														
C2C09624	SHRUB, SAMBUCUS CANADENSIS (AMERICAN ELDER), 2' HEIGHT, CONTAINER	EACH	20	20														
D2001948	EVERGREEN, PICEA GLAUCA DENSATA (BLACK HILLS SPRUCE), 4' HEIGHT, BALLED AND BURLAPPE	EACH	20	20														
D2002360	EVERGREEN, PINUS FLEXILIS (LIMBER PINE), 5' HEIGHT, BALLED AND BURLAPPED	EACH	9	9														
D2002960	EVERGREEN, PINUS STROBUS (EASTERN WHITE PINE), 5' HEIGHT, BALLED AND BURLAPPED	EACH	45	45														
K0012990	PERENNIAL PLANTS, ORNAMENTAL TYPE, GALLON POT	UNIT	21.7	21.7														
K0013030	PERENNIAL PLANTS, WETLAND TYPE, 2" DIAMETER BY 4" DEEP PLUG	UNIT	578.0	578.0														
K0029614	WEED CONTROL, AQUATIC	GALLON	0.23	0.23														
K0029618	WEED CONTROL, BROADLEAF IN TURF	GALLON	0.14	0.14														
K0029634	WEED CONTROL, PRE-EMERGENT GRANULAR HERBICIDE	POUND	6.2	6.2														



USER NAME = Omar.Mesad	DESIGNED -	REVISED -
	DRAWN - OJM	REVISED -
PLOT SCALE = 100.0000' / 1" =	CHECKED -	REVISED -
PLOT DATE = 2/28/2023	DATE - 02/07/2023	REVISED -

STATE OF ILLINOIS
DEPARTMENT OF TRANSPORTATION

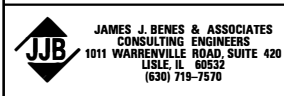
SUMMARY OF QUANTITIES

SCALE: N/A SHEET NO. OF SHEETS STA. TO STA.

F.A.U. RTE.	SECTION	COUNTY	TOTAL SHEETS	SHEET NO.
3578	2019-001-R	COOK	255	16
CONTRACT NO. 62H82				
ILLINOIS FED. AID PROJECT				

* - DENOTES SPECIALTY ITEMS

CODE NO.	ITEM	UNIT	TOTAL QUANTITY	CONSTRUCTION TYPE CODES														
				URBAN	ROADWAY	ROADWAY	TRAFFIC SIGNALS IL ROUTE 7 @ 135TH STREET	TRAFFIC SIGNALS IL ROUTE 7 @ 131ST STREET	TRAFFIC SIGNAL INTERCONNECT	IL ROUTE 7 PRE-EMPTION EQUIPMENT	IL ROUTE 7 PRE-EMPTION EQUIPMENT	SHARED USE PATH	SIDEWALK	SIDEWALK	UTILITIES			
				100% FED (Covid)	80% FED 20% STATE	100% FED (Covid)	5% ORLAND PARK	100% FED (Covid)	100% ORLAND FPD	100% PALOS FPD	100% FED (Covid)	100% FED (Covid)	100% FED (Covid)	100% FED (Covid)				
X5427602	REMOVE EXISTING FLARED END SECTION	EACH	8		8													
X0322992	COARSE SAND PLACEMENT, 4"	SO YD	483		483													
X0323260	SEDIMENT BASIN	EACH	1		1													
* X0324085	EMERGENCY VEHICLE PRIORITY SYSTEM LINE SENSOR CABLE, NO. 20 3/C	FOOT	703							360	343							
* X2010412	STUMP REMOVAL, ACRES	ACRE	2.63		2.63													
X0350810	BOLLARD REMOVAL	EACH	3		3													
X0900064	MEMBRANE WATERPROOFING SYSTEM FOR BURIED STRUCTURES	SO YD	680		680													
X0900075	COFFERDAM (TYPE 1) (IN-STREAM/WETLAND WORK)	EACH	5		5													
X1200050	BOX CULVERT REMOVAL	FOOT	180		180													
X1200061	CLAY LINER	CU YD	1,189		1,189													
* X1400081	FULL-ACTUATED CONTROLLER AND TYPE SUPER P CABINET (SPECIAL) X1400150	EACH	1															
* SERVICE	INSTALLATION, GROUND MOUNTED, METERED	EACH	2				1	1										
* X1400169	RAILROAD, FULL-ACTUATED CONTROLLER AND TYPE SUPER R CABINET (SPECIAL)	EACH	1				1											
* X1400367	PEDESTRIAN SIGNAL POST, 10 FT.	EACH	3				1	2										
X1400373	RADAR VEHICLE DETECTION SYSTEM, SINGLE APPROACH, STOP BAR AND FAR BACK	EACH	4				2	2										
* X2010400	STUMP REMOVAL ONLY	UNIT	671		671													
X2020110	GRADING AND SHAPING SHOULDERS	UNIT	7		7													
* X2501750	SEEDING, CLASS 4 (SPECIAL)	ACRE	9.65		9.65													
* X2502019	SEEDING, CLASS 4B (SPECIAL)	ACRE	0.93		0.93													



USER NAME = Dmar_Mesad	DESIGNED -	REVISED -
PLOT SCALE = 100.0000' / 1in.	DRAWN - OJM	REVISED -
PLOT DATE = 2/28/2023	CHECKED -	REVISED -
	DATE - 02/07/2023	REVISED -

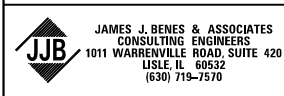
**STATE OF ILLINOIS
DEPARTMENT OF TRANSPORTATION**

SUMMARY OF QUANTITIES			
SCALE: N/A	SHEET NO.	OF SHEETS	STA. TO STA.

F.A.U. RTE.	SECTION	COUNTY	TOTAL SHEETS	SHEET NO.
3578	2019-001-R	COOK	255	17
CONTRACT NO. 62H82				
ILLINOIS FED. AID PROJECT				

* - DENOTES SPECIALTY ITEMS

CODE NO.	ITEM	UNIT	TOTAL QUANTITY	CONSTRUCTION TYPE CODES															
				URBAN		ROADWAY	ROADWAY	TRAFFIC SIGNALS	TRAFFIC SIGNALS	TRAFFIC SIGNAL	IL ROUTE 7	IL ROUTE 7	SHARED USE PATH	SIDEWALK	SIDEWALK	UTILITIES			
				100% FED (Covid)	80% FED 20% STATE	STP-U	STP-U	INTERCONNECT	PRE-EMPTION EQUIPMENT	PRE-EMPTION EQUIPMENT	0004	0004	0021	0021	0021	0021	0021	0028	0021
X2503110	MOWING (SPECIAL)	ACRE	0,54	0,54															
* X2511630	EROSION CONTROL BLANKET (SPECIAL)	SO YD	93,460	93,460															
X3400004	RETAINING WALL REMOVAL	FOOT	46	46															
X4022000	TEMPORARY ACCESS (COMMERCIAL ENTRANCE)	EACH	13	13															
X4240800	DETECTABLE WARNINGS (SPECIAL)	SO FT	55										55						
X4421791	CLASS D PATCHES, TYPE IV, 12 INCH (SPECIAL)	SO YD	84	84															
* X5630712	CONNECTION TO EXISTING WATER MAIN 12"	EACH	1																1
X6022110	MANHOLES, TYPE A, 10'-DIAMETER, TYPE 1 FRAME, CLOSED LID	EACH	11	11															
X6026050	SANITARY MANHOLES TO BE ADJUSTED	EACH	10	10															
X6026051	SANITARY MANHOLES TO BE RECONSTRUCTED	EACH	4	4															
X6040205	FRAMES AND LIDS, SPECIAL	EACH	1	1															
X6700410	ENGINEER'S FIELD OFFICE, TYPE A (SPECIAL)	CAL MO	18	18															
X7010216	TRAFFIC CONTROL AND PROTECTION, (SPECIAL)	L SUM	1	1															
X7810300	RECESSED REFLECTIVE PAVEMENT MARKER	EACH	28	28															
X8440116	RELOCATE EXISTING LIGHTING UNIT, SPECIAL	EACH	7	7															
* X8600105	MASTER CONTROLLER (SPECIAL)	EACH	1						1										
X8620200	UNINTERRUPTIBLE POWER SUPPLY, SPECIAL	EACH	2				1	1											
X8710024	FIBER OPTIC CABLE IN CONDUIT, NO. 62.5/125, MM12F SM24F	FOOT	2,959						2,959										
X8760200	ACCESSIBLE PEDESTRIAN SIGNALS	EACH	6				2	4											



USER NAME = Omar.Mesad	DESIGNED -	REVISED -
	DRAWN - OJM	REVISED -
PLOT SCALE = 100.0000' / 1" =	CHECKED -	REVISED -
PLOT DATE = 2/28/2023	DATE - 02/07/2023	REVISED -

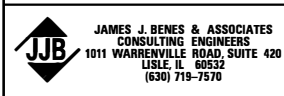
**STATE OF ILLINOIS
DEPARTMENT OF TRANSPORTATION**

SUMMARY OF QUANTITIES			
SCALE: N/A	SHEET NO.	OF SHEETS	STA. TO STA.

F.A.U. RTE.	SECTION	COUNTY	TOTAL SHEETS	SHEET NO.
3578	2019-001-R	COOK	255	18
CONTRACT NO. 62H82				
ILLINOIS FED. AID PROJECT				

* - DENOTES SPECIALTY ITEMS

CODE NO.	ITEM	UNIT	TOTAL QUANTITY	CONSTRUCTION TYPE CODES												
				URBAN		ROADWAY	ROADWAY	TRAFFIC SIGNALS	TRAFFIC SIGNALS	TRAFFIC SIGNAL	IL ROUTE 7	IL ROUTE 7	SHARED USE PATH	SIDEWALK	SIDEWALK	UTILITIES
				100% FED (Covid)	80% FED 20% STATE	100% FED (Covid)	STP-U 80% FED 15% STATE	INTERCONNECT	PRE-EMPTION EQUIPMENT	PRE-EMPTION EQUIPMENT	0028	0021	0021	0043		
X8780012	CONCRETE FOUNDATION, TYPE A 12-INCH DIAMETER,	FOOT	12			4	8									
Z0004538	HOT-MIX ASPHALT DRIVEWAY PAVEMENT, 10"	SO YD	2,143	2,143												
Z0013797	STABILIZED CONSTRUCTION ENTRANCE	SO YD	556	556												
Z0013798	CONSTRUCTION LAYOUT	L SUM	1	1												
Z0022800	FENCE REMOVAL	FOOT	432	432												
Z0023500	FILLING EXISTING CULVERTS	CU YD	54	54												
Z0030850	TEMPORARY INFORMATION SIGNING	SO FT	179	179												
* Z0033056	OPTIMIZE TRAFFIC SIGNAL SYSTEM	EACH	1					1								
Z0048665	RAILROAD PROTECTIVE LIABILITY INSURANCE	L SUM	1			1										
Z0054406	ROCK FILL - FOUNDATION	CU YD	280	280												
Z0062456	TEMPORARY PAVEMENT	SO YD	3,161	3,161												
* Z0064800	SELECTIVE CLEARING	UNIT	238	238												
* Z0073510	TEMPORARY TRAFFIC SIGNAL TIMING	EACH	4			1	1	2								
Ø Z0076600	TRAINEES	HOURS	1000	1000												
Ø Z0076604	TRAINEES - TRAINING PROGRAM GRADUATE	HOURS	1000	1000												



USER NAME = Dmar_Mesad	DESIGNED -	REVISED -
PLOT SCALE = 100.0000' / 1in.	DRAWN - OJM	REVISED -
PLOT DATE = 2/28/2023	CHECKED -	REVISED -
	DATE - 02/07/2023	REVISED -

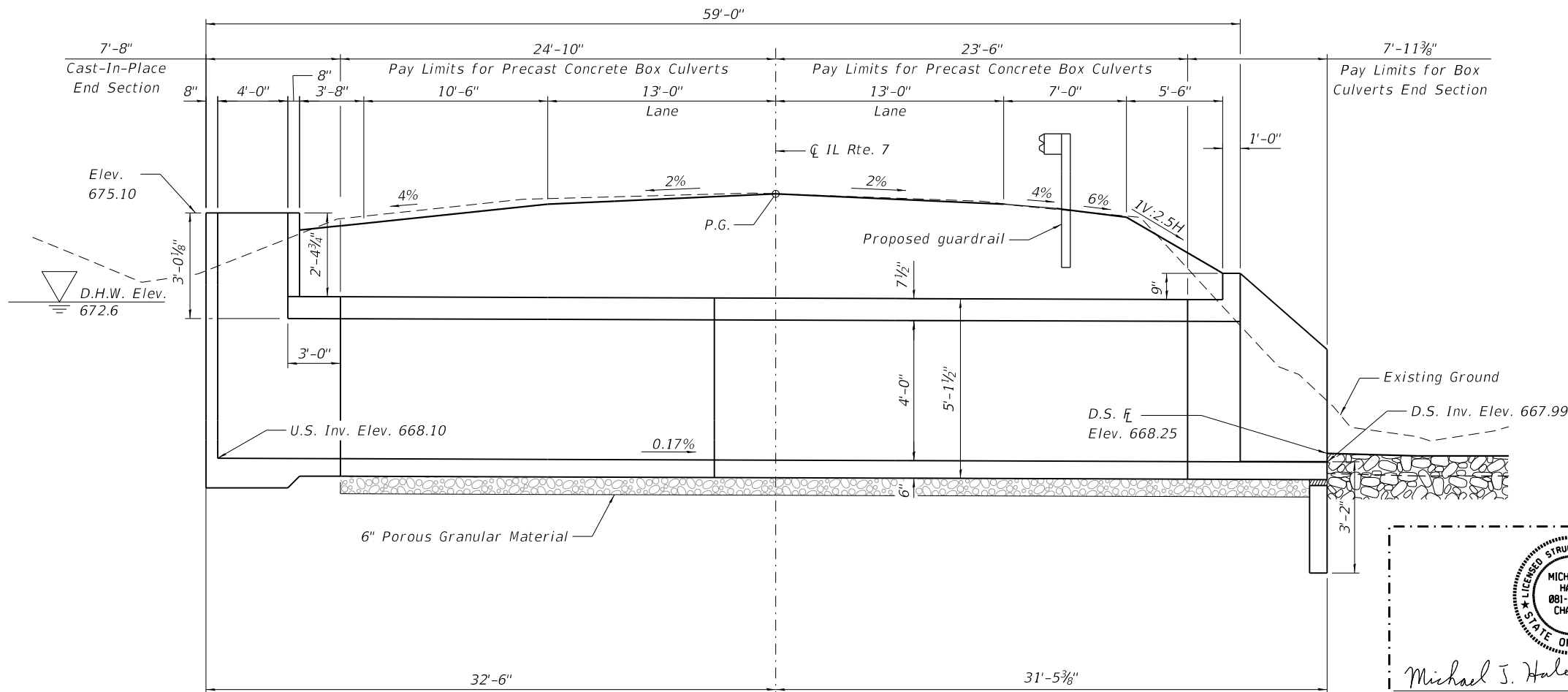
**STATE OF ILLINOIS
DEPARTMENT OF TRANSPORTATION**

SUMMARY OF QUANTITIES			
SCALE: N/A	SHEET NO.	OF SHEETS	STA. TO STA.

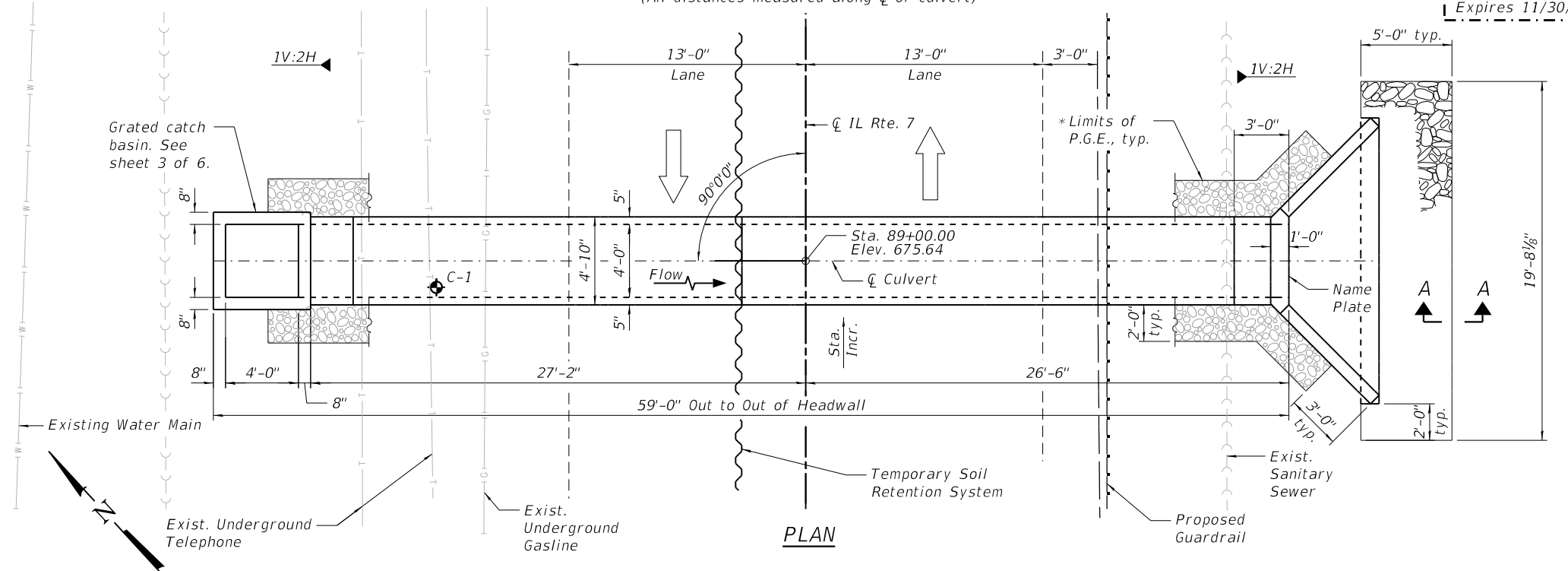
F.A.U. RTE. 3578	SECTION 2019-001-R	COUNTY COOK	TOTAL SHEETS 255	SHEET NO. 19
CONTRACT NO. 62H82				ILLINOIS FED. AID PROJECT

Ø 0042

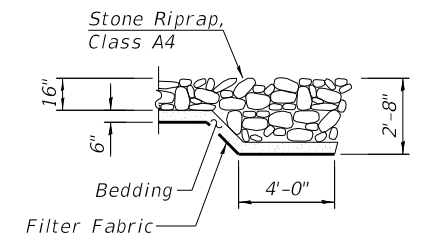
Bench Mark: BM #5: Cut "□" in Northwest corner of concrete sidewalk in front of "Orland Industrial Park" along IL Rte. 7, near Sta. 86+92 Lt. Elevation = 677.68 (NAVD88).
 Existing Structure: None.
 Stage construction: Temporary lane closures with flaggers for stage construction will be utilized to maintain one lane in each direction open to traffic during construction.



LONGITUDINAL SECTION
 (All distances measured along ϕ of culvert)



PLAN



SECTION A-A

* 2'-0" width of P.G.E. to be installed full length of proposed culvert, to 3'-0" from the end of the proposed wingwalls. Adjacent to culvert, vertical limits are from bottom of bottom slab to top of top slab. Along wingwalls, vertical limits are from bottom of culvert bottom slab to 1'-0" below top of wingwall. See Pay Limits for Porous Granular Embankment detail on sheet 2 of 6. P.G.E. behind wingwalls shall be capped with a 12" thick layer of impervious material. Cost of impervious material shall be included in the cost of Porous Granular Embankment.

DESIGN SPECIFICATIONS
 2020 AASHTO LRFD Bridge Design Specifications, 9th Edition

LOADING HL-93

Allow 50#/sq. ft. for future wearing surface.

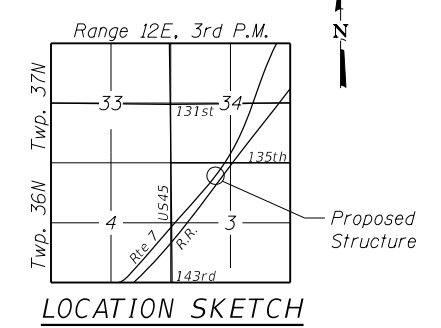
DESIGN STRESSES

PRECAST UNITS (New Construction)
 $f'_c = 5,000$ psi
 $f_y = 65,000$ psi (Welded Wire Reinforcement)

FIELD UNITS (New Construction)
 $f'_c = 3,500$ psi
 $f_y = 60,000$ psi (Reinforcement)

INDEX OF SHEETS

1. General Plan and Elevation
2. General Data
3. Miscellaneous Details
- 4-5. Apron End Section Details
6. Soil Boring Logs



LOCATION SKETCH

GENERAL PLAN AND ELEVATION
IL RTE. 7 OVER EB TRIB. OUT 26
F.A.U. RTE. 3578 SEC. 2019-001-R
COOK COUNTY
STATION 89+00.00
S.N. 016-8349



Michael J. Haley
 Licensed Structural Engineer
 State of Illinois No. 081-005991
 Expires 11/30/2024

05/22/2023
 Date

REVISION 1 REVISED SHEET 5/23/2023

STATE OF ILLINOIS
DEPARTMENT OF TRANSPORTATION

GENERAL PLAN AND ELEVATION
STRUCTURE NO. 016-8349

SHEET 1 OF 6 SHEETS

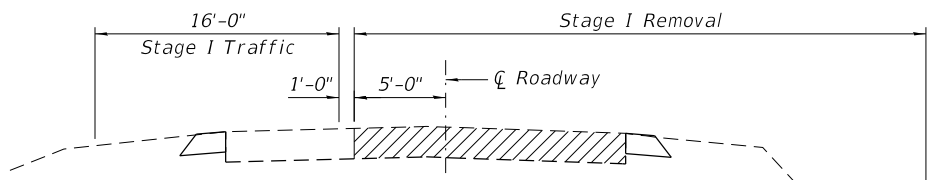
F.A.U. RTE.	SECTION	COUNTY	TOTAL SHEETS	SHEET NO.
3578	2019-001-R	COOK	255	149
CONTRACT NO. 62H82				

ILLINOIS FED. AID PROJECT

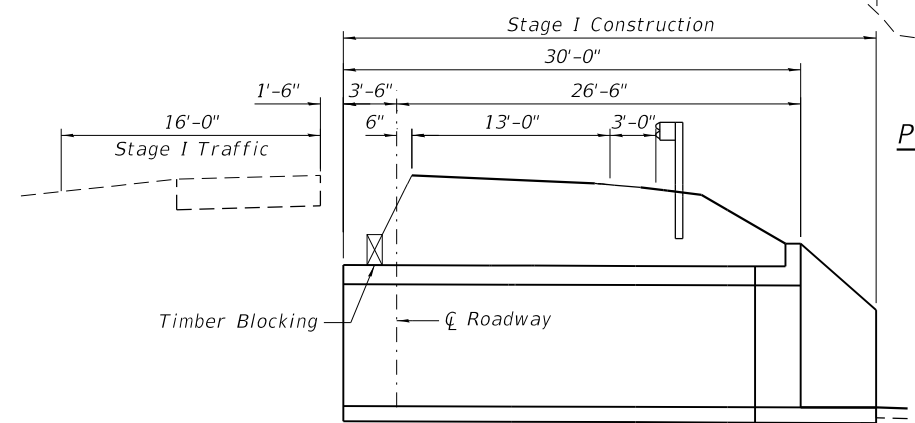
MODEL: Default
 FILE NAME: E:\1902\Struct\Final Design\CADD_Sheets\0168349-D\162H82-001-GPE.dgn



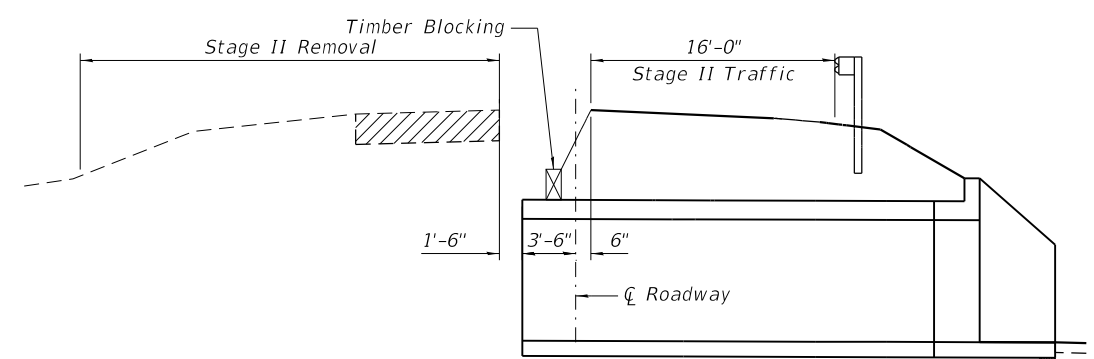
USER NAME =	Mike Haley	DESIGNED -	AGJ	REVISED 1	05/23/2023	MTH
CHECKED -	VPT	REVISION	-			
PLOT TIME =	10:49:43 AM	DRAWN -	AGJ	REVISION	-	
PLOT DATE =	5/23/2023	CHECKED -	VPT	REVISION	-	



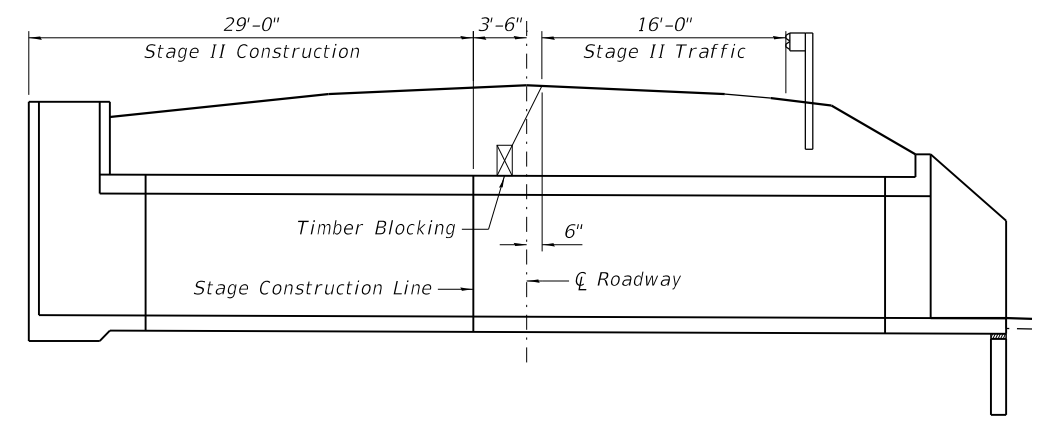
STAGE I REMOVAL



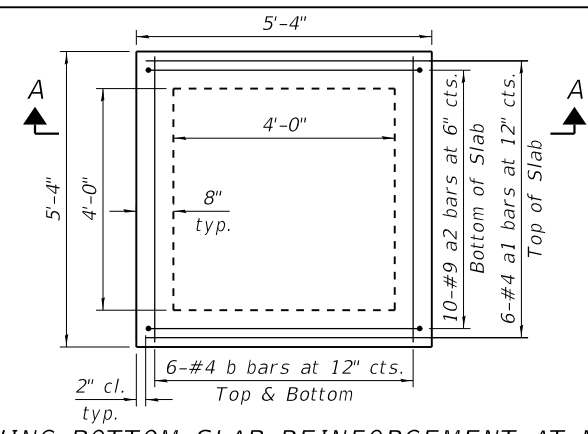
STAGE I CONSTRUCTION



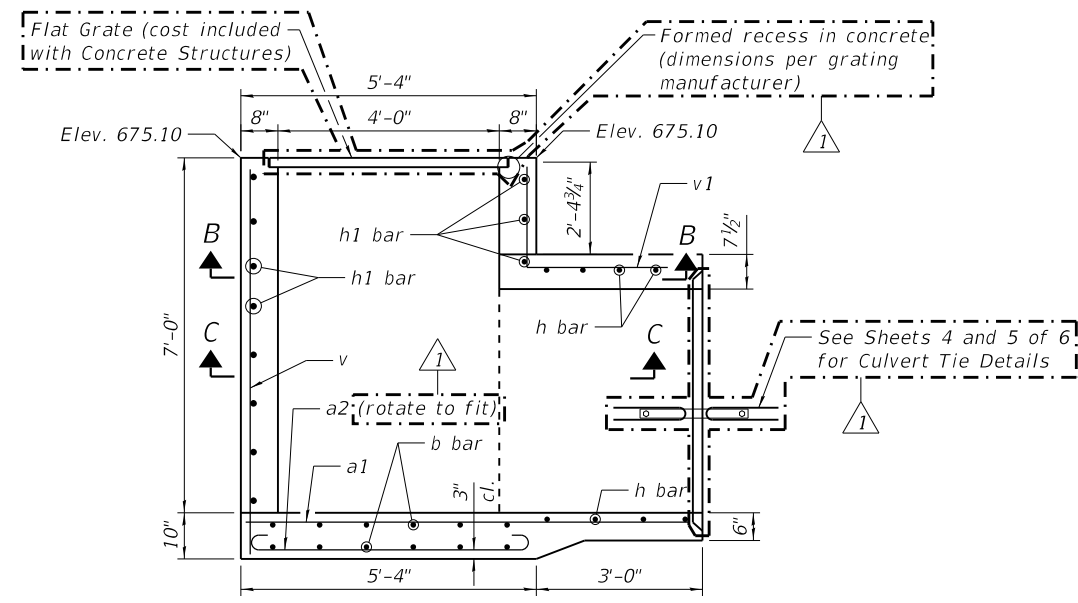
STAGE II REMOVAL



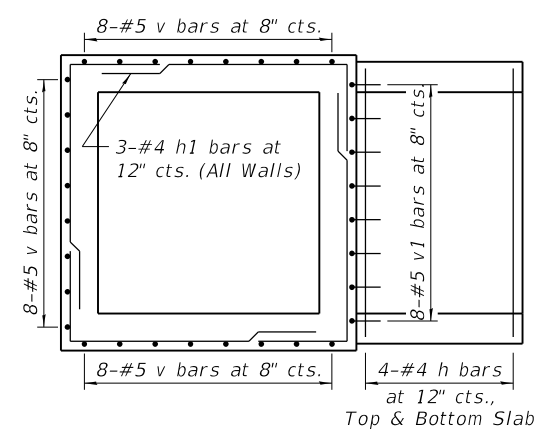
STAGE II CONSTRUCTION



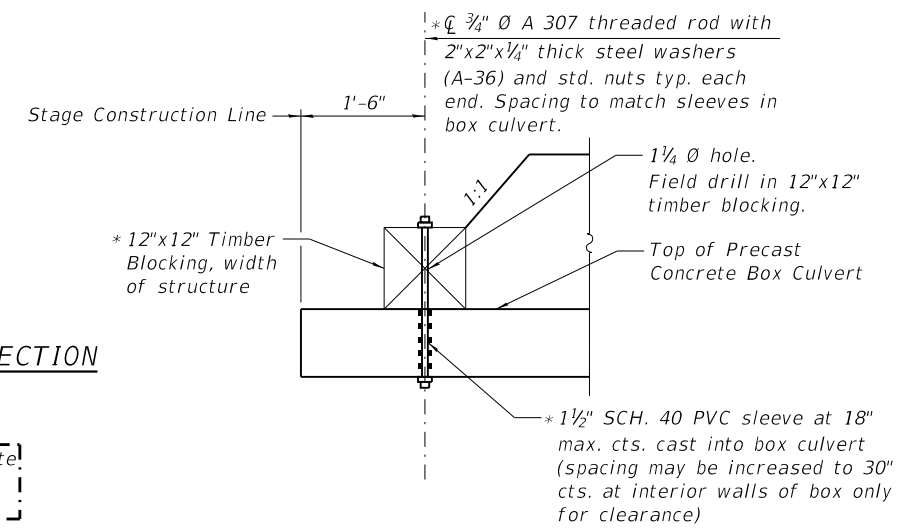
PLAN VIEW SHOWING BOTTOM SLAB REINFORCEMENT AT N. END SECTION



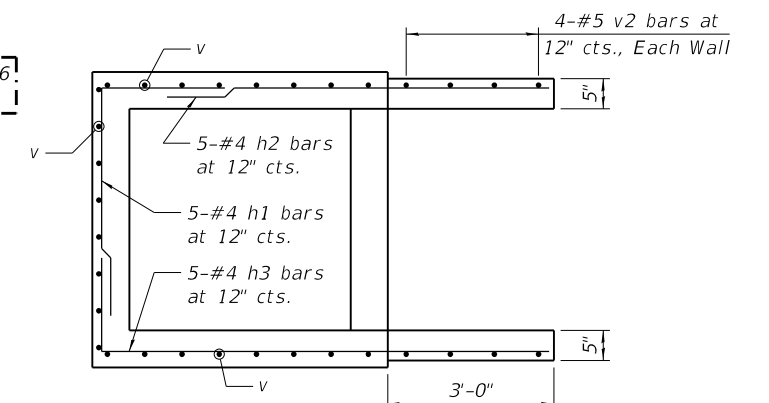
SECTION A-A



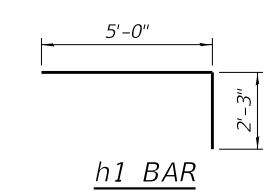
SECTION B-B



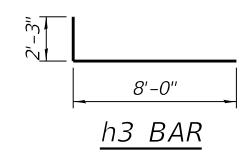
TIMBER BLOCKING DETAIL



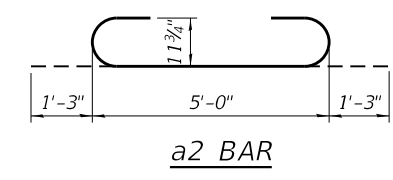
SECTION C-C



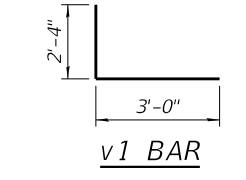
h1 BAR



h3 BAR



a2 BAR



v1 BAR

BILL OF MATERIAL

Bar	No.	Size	Length	Shape
a1	6	#4	8'-0"	—
a2	10	#9	7'-6"	U
b	6	#4	5'-0"	—
h	8	#4	4'-6"	—
h1	17	#4	7'-3"	—
h2	5	#4	8'-0"	—
h3	5	#4	10'-3"	—
v	24	#5	7'-3"	—
v1	8	#5	5'-4"	—
v2	8	#5	4'-10"	—
Concrete Structures			Cu. Yd.	6.3
Reinforcement Bars			Pound	730

REVISED SHEET 5/23/2023

MODEL: Default
FILE NAME: E:\1902\Struct\Final Design\Design\Plans\CADD_Sheets\0168345-D-162H82-003-Stage Const Det.dgn

LE LIN ENGINEERING, LTD.
Consulting Engineers
Springfield, Illinois

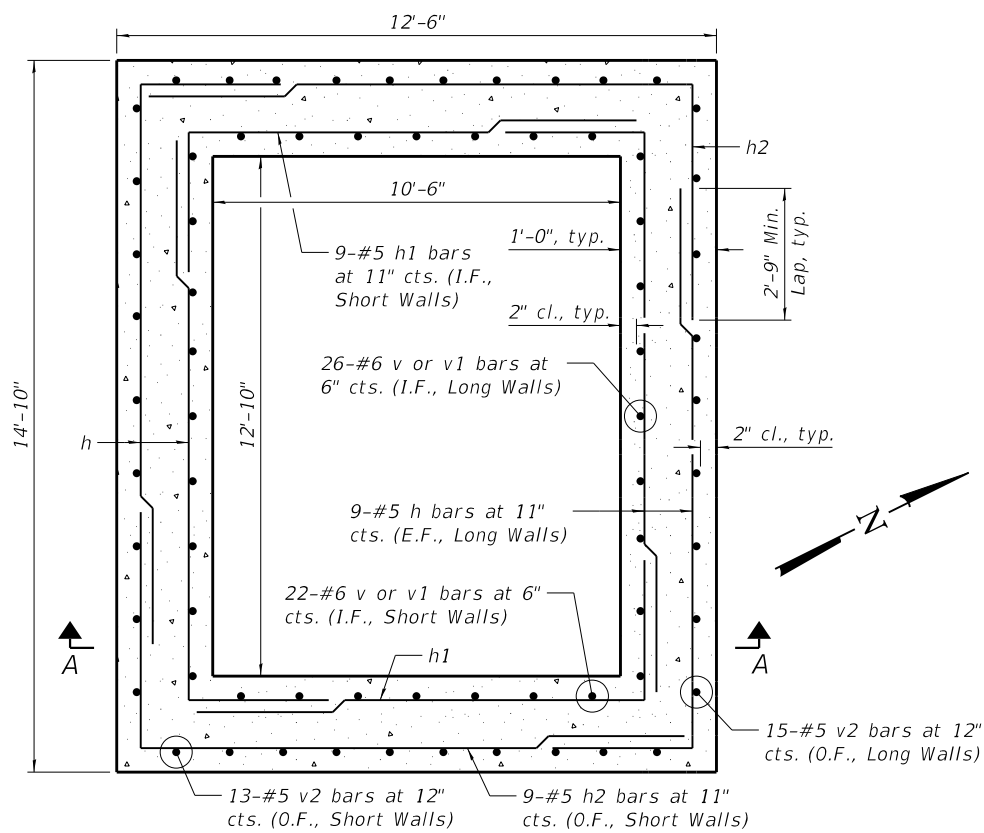
USER NAME =	Mike Haley	DESIGNED -	AGJ	REVISED	1	05/23/2023	MTH
		CHECKED -	VPT	REVISED	-		
PLOT TIME =	10:50:04 AM	DRAWN -	AGJ	REVISED	-		
PLOT DATE =	5/23/2023	CHECKED -	VPT	REVISED	-		

STATE OF ILLINOIS
DEPARTMENT OF TRANSPORTATION

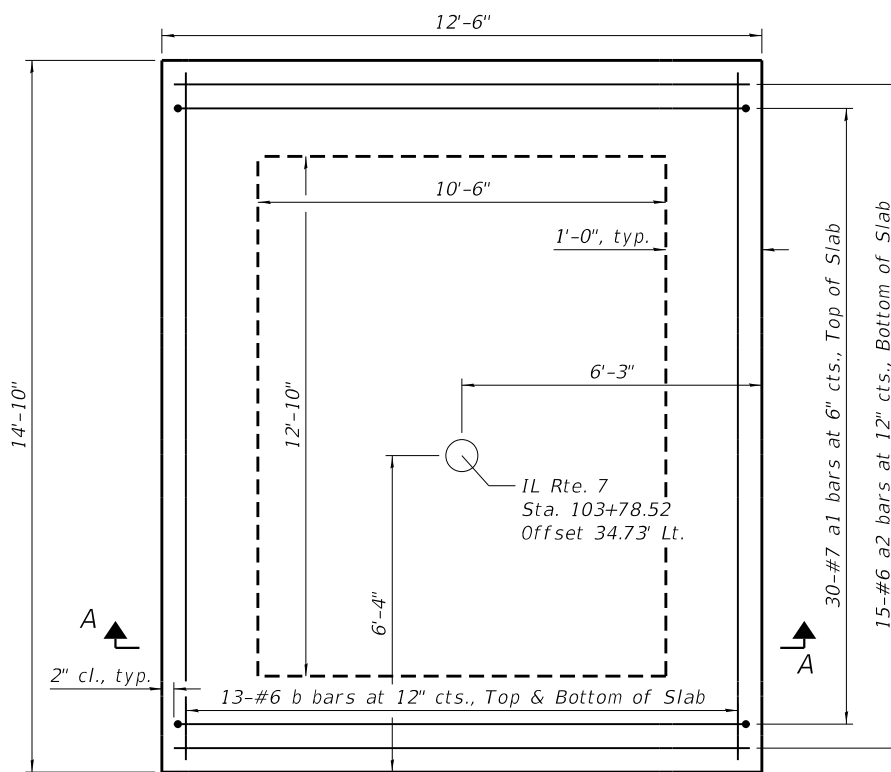
MISCELLANEOUS DETAILS
STRUCTURE NO. 016-8349

SHEET 3 OF 6 SHEETS

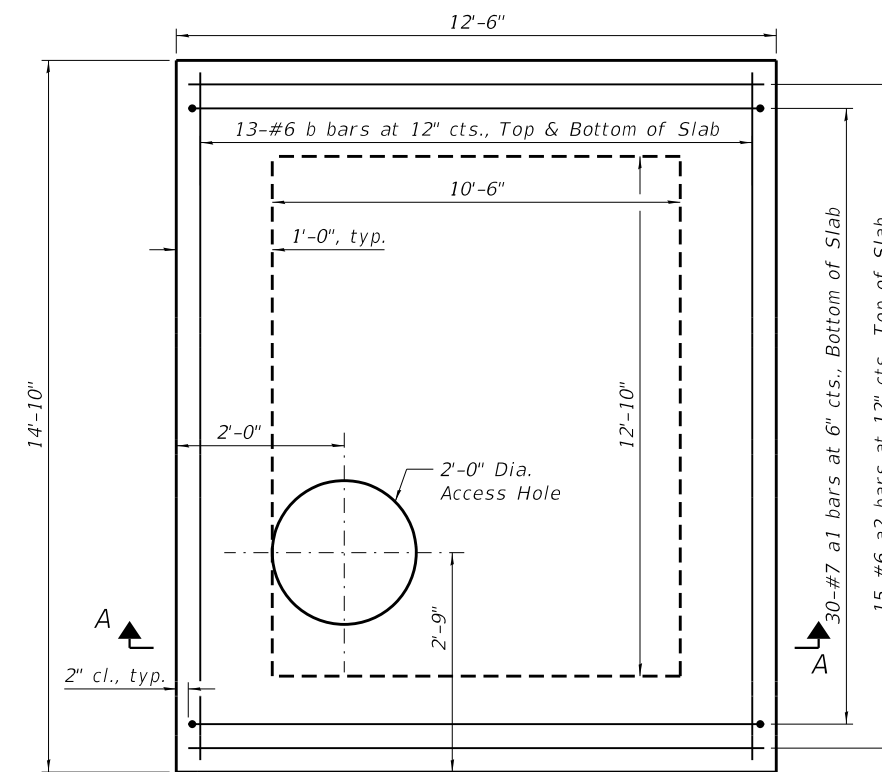
F.A.U. RTE.	SECTION	COUNTY	TOTAL SHEETS	SHEET NO.
3578	2019-001-R	COOK	255	151
CONTRACT NO. 62H82			ILLINOIS FED. AID PROJECT	



PLAN VIEW SHOWING WALL REINFORCEMENT

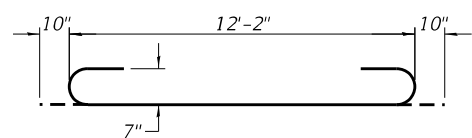


PLAN VIEW SHOWING FOOTING REINFORCEMENT



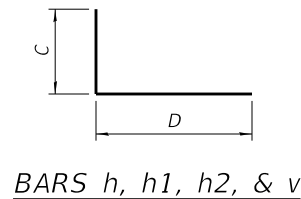
PLAN VIEW SHOWING TOP SLAB REINFORCEMENT

Notes:
 $f'c = 3,500$ psi
 $f_y = 60,000$ psi (Reinforcement)
 Cover from the face of concrete to face of reinforcement bars shall be 3" for surfaces formed against earth and 2" for all other surfaces unless otherwise shown.
 See Standard 602701 for details of steps.
 See Drainage Plans and Drainage Structures Tables for additional information.



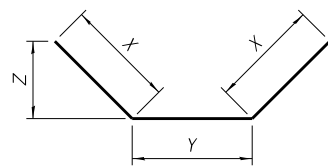
BAR a1

Bar	C	D
h	2'-9"	13'-1"
h1	2'-9"	10'-11"
h2	4'-1"	12'-0"
v	3'-6"	1'-0"

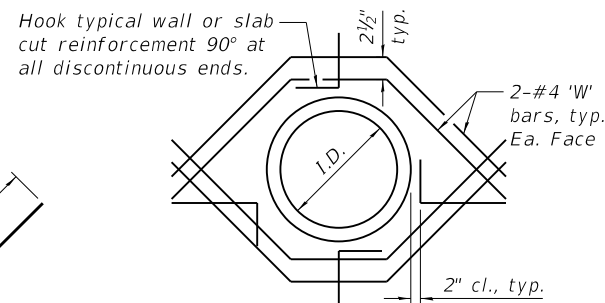


BARS h, h1, h2, & v

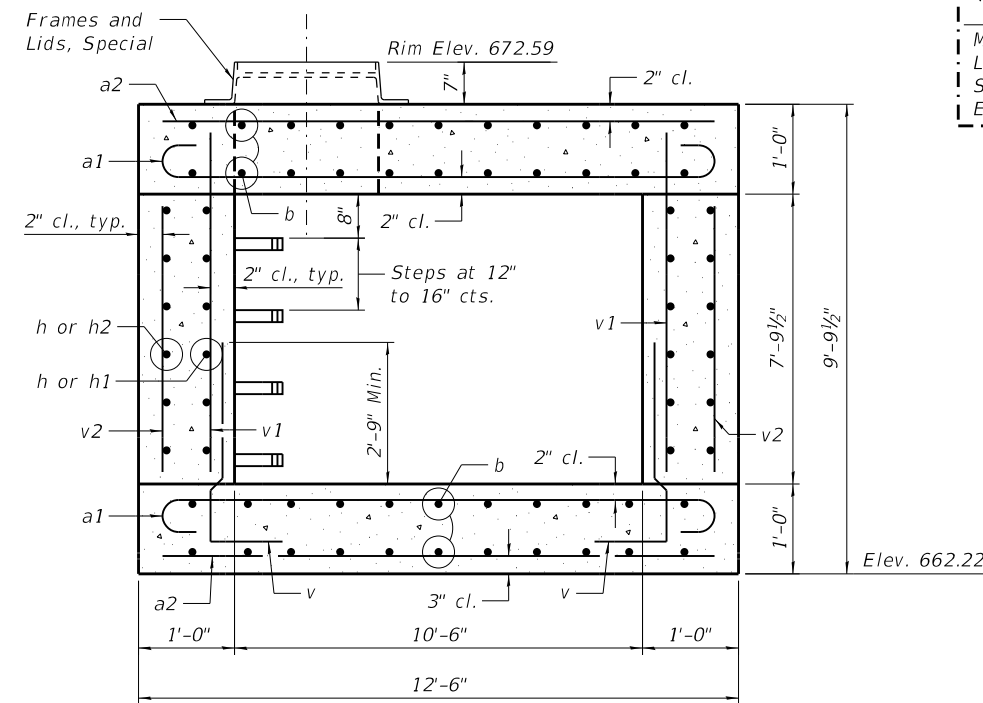
Pipe No.	I.D.	W	X	Y	Z
P-18	72"	h4	5'-0"	5'-0"	4'-5 1/2"
P-19	72"	h3	5'-0"	4'-0"	4'-1 7/8"
P-20	12"	h5	1'-9"	1'-0"	1'-4 3/4"
P-21	72"	h3	5'-0"	4'-0"	4'-1 7/8"



BARS h3, h4, & h5



ADDITIONAL REINFORCEMENT FOR OPENINGS



SECTION A-A



Michael T. Haley
 Licensed Structural Engineer
 State of Illinois No. 081-005991
 Expires 11/30/2024
 Date: 05/22/2023

BILL OF MATERIAL

Bar	No.	Size	Length	Shape
a1	60	#7	13'-10"	U
a2	30	#6	12'-2"	—
b	52	#6	14'-6"	—
h	36	#5	15'-10"	L
h1	18	#5	13'-8"	L
h2	18	#5	16'-1"	L
h3	16	#4	14'-0"	U
h4	8	#4	15'-0"	U
h5	8	#4	4'-6"	U
v	96	#6	4'-6"	L
v1	96	#6	8'-4"	—
v2	56	#5	7'-5"	—
Concrete Structures		Cu. Yd.	25.1	
Reinforcement Bars		Pound	7,080	
Frames and Lids, Special		Each	1	

REVISED SHEET 5/23/2023

MODEL: Default
 FILE NAME: EX19021StructvFinal_Design\Plans\CADD_Sheets\ICO1-D162H82-001-IC_Details.dgn

LE LIN ENGINEERING, LTD.
 Consulting Engineers
 Springfield, Illinois

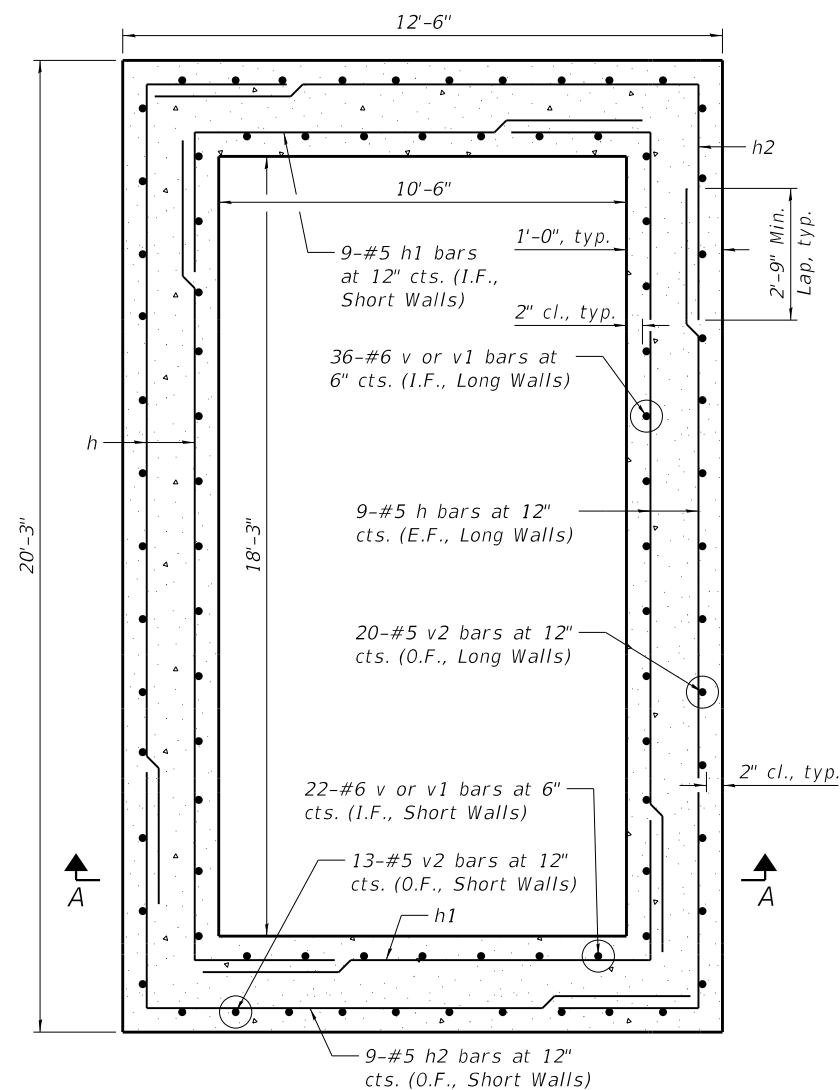
USER NAME =	Mike Haley	DESIGNED -	AGJ	REVISED	1	05/23/2023	MTH
CHECKED -	VPT	REVISIONS -					
PLOT TIME =	10:50:49 AM	DRAWN -	AGJ	REVISIONS -			
PLOT DATE =	5/23/2023	CHECKED -	VPT	REVISIONS -			

STATE OF ILLINOIS
 DEPARTMENT OF TRANSPORTATION

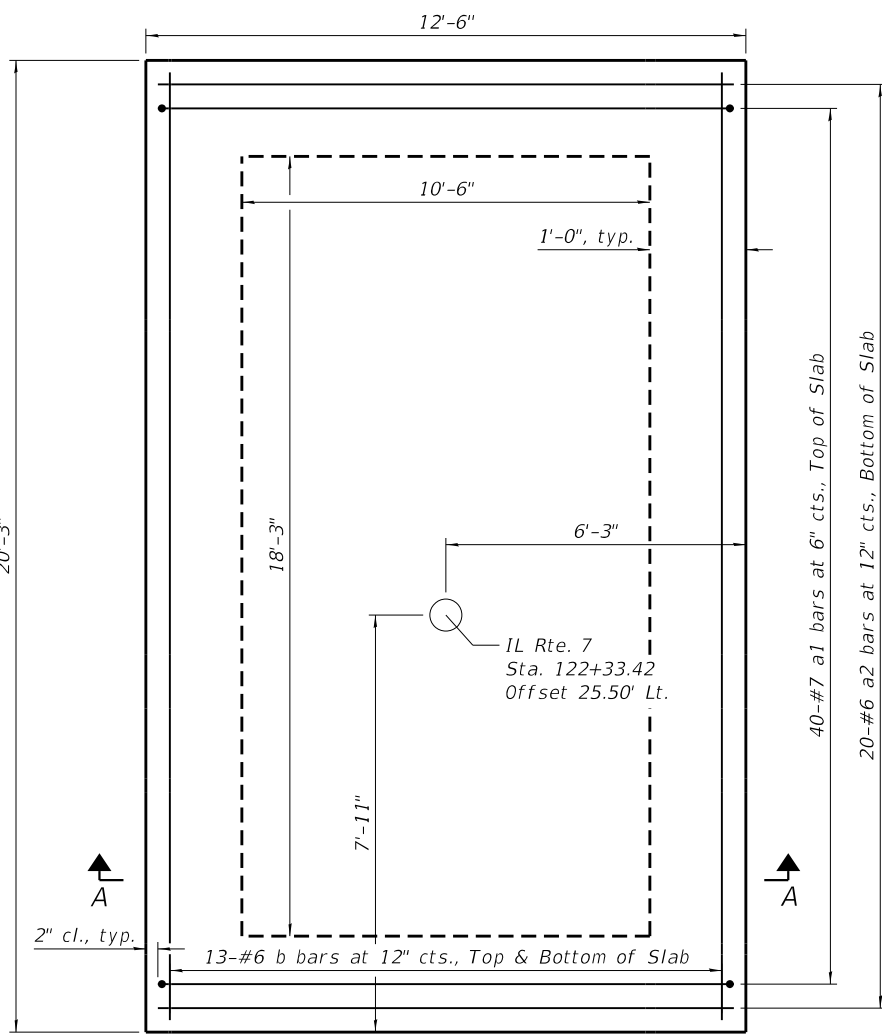
JUNCTION CHAMBER DETAILS
 STRUCTURE NO. S-20, STATION 103 + 78.52

SHEET 1 OF 1 SHEETS

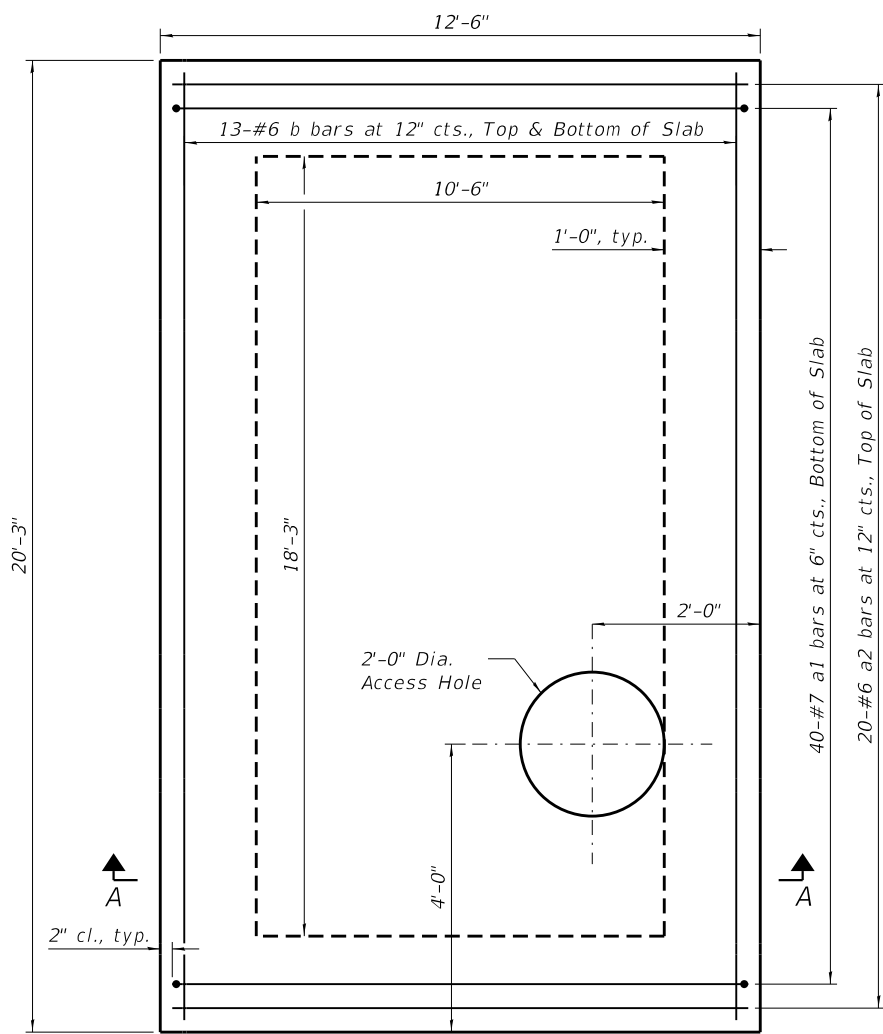
F.A.U. RTE.	SECTION	COUNTY	TOTAL SHEETS	SHEET NO.
3578	2019-001-R	COOK	255	187
				CONTRACT NO. 62H82
ILLINOIS FED. AID PROJECT				



PLAN VIEW SHOWING WALL REINFORCEMENT



PLAN VIEW SHOWING FOOTING REINFORCEMENT



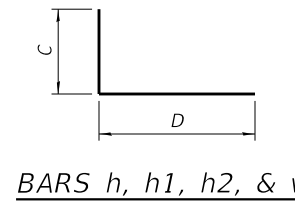
PLAN VIEW SHOWING TOP SLAB REINFORCEMENT

Notes:
 $f'c = 3,500$ psi
 $f_y = 60,000$ psi (Reinforcement)
 Cover from the face of concrete to face of reinforcement bars shall be 3" for surfaces formed against earth and 2" for all other surfaces unless otherwise shown.
 See Standard 602701 for details of steps.
 See Drainage Plans and Drainage Structures Tables for additional information.



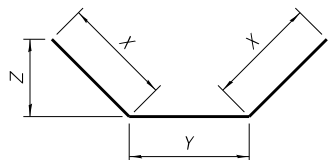
Michael J. Haley
 Michael T. Haley
 Licensed Structural Engineer
 State of Illinois No. 081-005991
 Expires 11/30/2024
 05/22/2023 Date

Bar	C	D
h	2'-9"	18'-6"
h1	2'-9"	10'-11"
h2	4'-1"	12'-0"
v	3'-6"	1'-0"

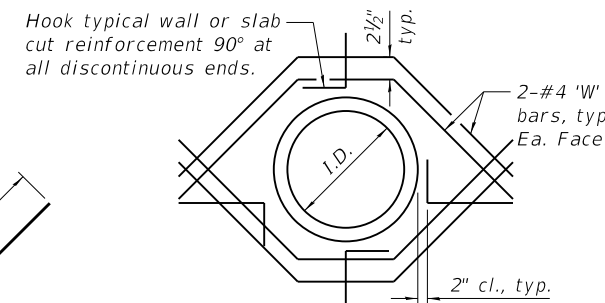


BARS h, h1, h2, & v

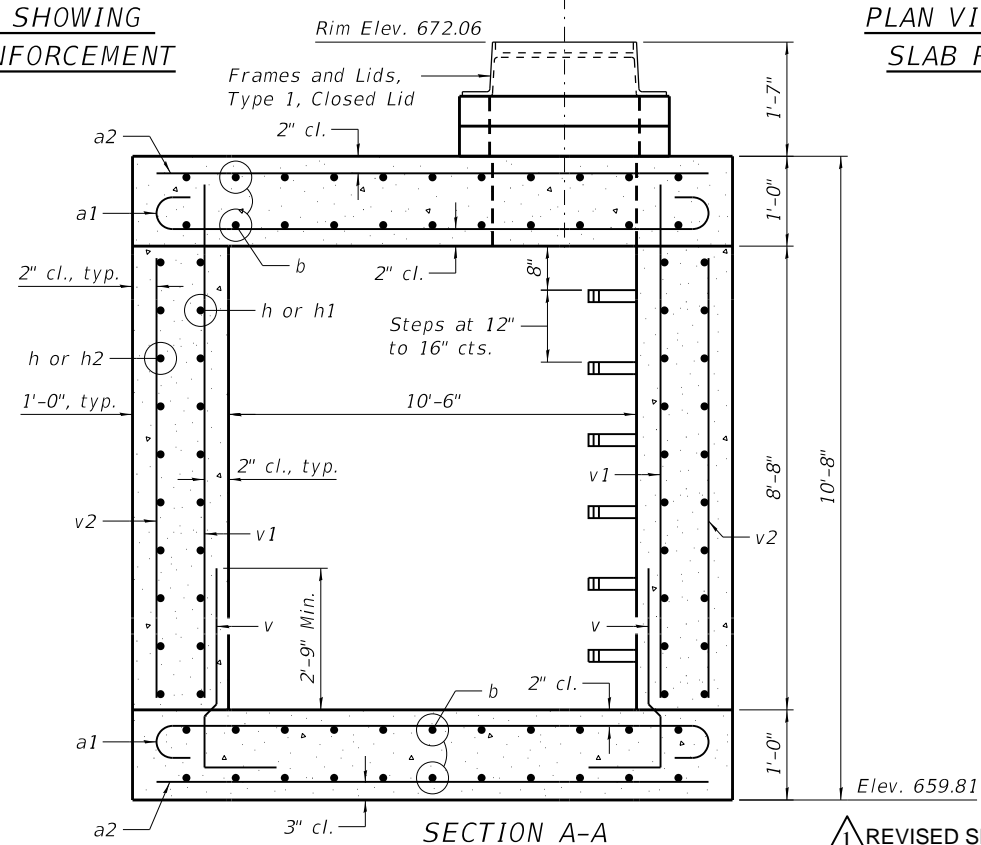
Pipe No.	I.D.	W	X	Y	Z
P-48	72"	h3	5'-0"	4'-0"	4'-1 1/8"
P-52	72"	h3	5'-0"	4'-0"	4'-1 1/8"
P-53	60"	h4	5'-0"	5'-0"	4'-0 3/8"
P-54	12"	h5	1'-9"	1'-0"	1'-4 3/4"
P-55	15"	h5	1'-9"	1'-0"	1'-4 3/4"
P-56	12"	h5	1'-9"	1'-0"	1'-4 3/4"



BARS h3, h4, & h5



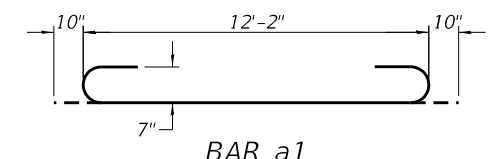
ADDITIONAL REINFORCEMENT FOR OPENINGS



SECTION A-A

BILL OF MATERIAL

Bar	No.	Size	Length	Shape
a1	80	#7	13'-10"	
a2	40	#6	12'-2"	
b	52	#6	19'-11"	
h	36	#5	21'-3"	
h1	18	#5	13'-8"	
h2	18	#5	16'-1"	
h3	16	#4	14'-0"	
h4	8	#4	15'-0"	
h5	24	#4	4'-6"	
v	116	#6	4'-6"	
v1	116	#6	9'-2"	
v2	66	#5	8'-4"	
Concrete Structures			Cu. Yd.	35.4
Reinforcement Bars			Pound	9,180
Frames and Lids, Type 1, Closed Lid			Each	1



BAR a1

MODEL: Default
 FILE NAME: EX19021StructVFinal_Design\Design_Plans\CADD_Sheets\ICO2-D162H82-001-IC_Details.dgn

5/23/2023 10:51:08 AM



USER NAME = Mike Haley
 DESIGNED - AGJ
 CHECKED - VPT
 PLOT TIME = 10:51:08 AM
 DRAWN - AGJ
 PLOT DATE = 5/23/2023
 CHECKED - VPT

REVISIONS
 1 05/23/2023 MTH
 2
 3
 4

STATE OF ILLINOIS
 DEPARTMENT OF TRANSPORTATION

JUNCTION CHAMBER DETAILS
 STRUCTURE NO. S-56, STATION 122 + 33.42

SHEET 1 OF 1 SHEETS

FAU RTE.	SECTION	COUNTY	TOTAL SHEETS	SHEET NO.
3578	2019-001-R	COOK	255	188
CONTRACT NO. 62H82				
ILLINOIS FED. AID PROJECT				

REVISD SHEET 5/23/2023