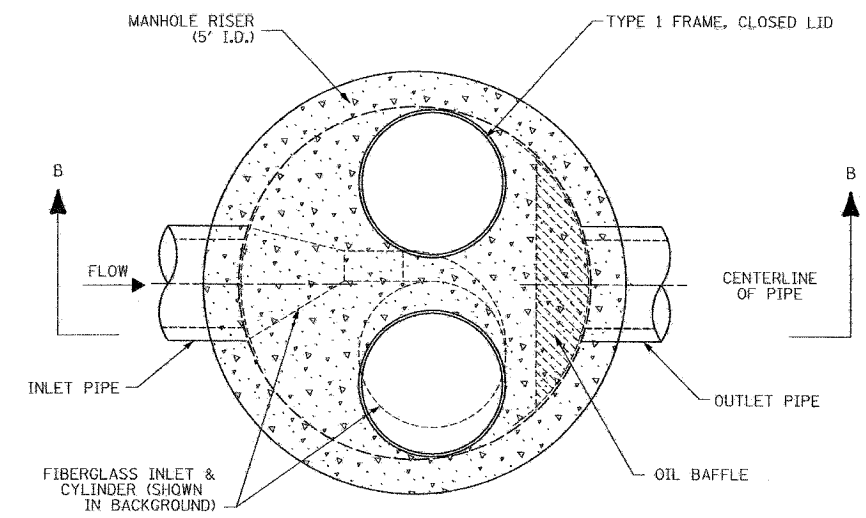
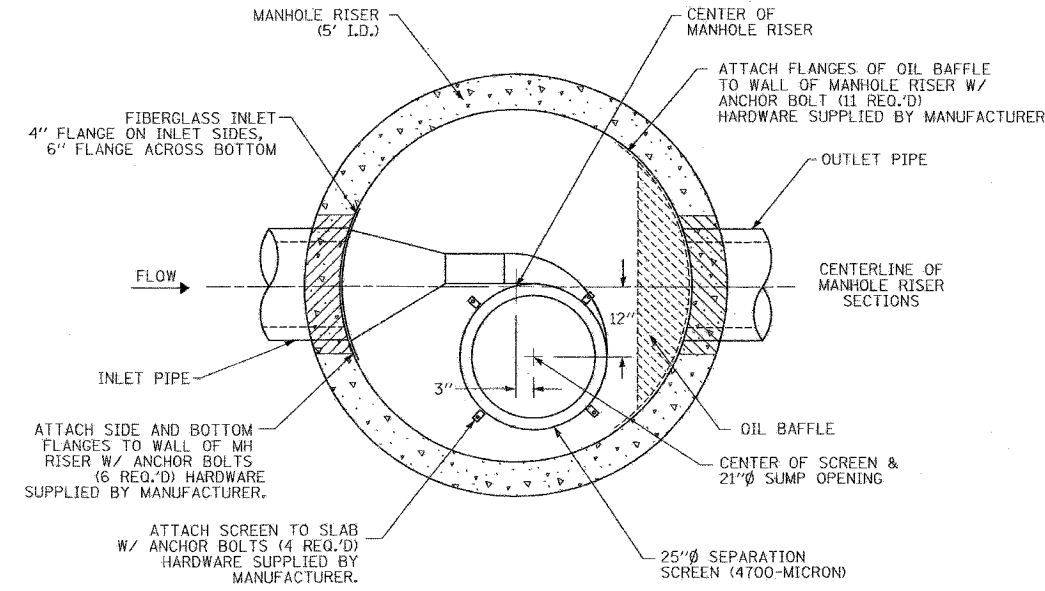


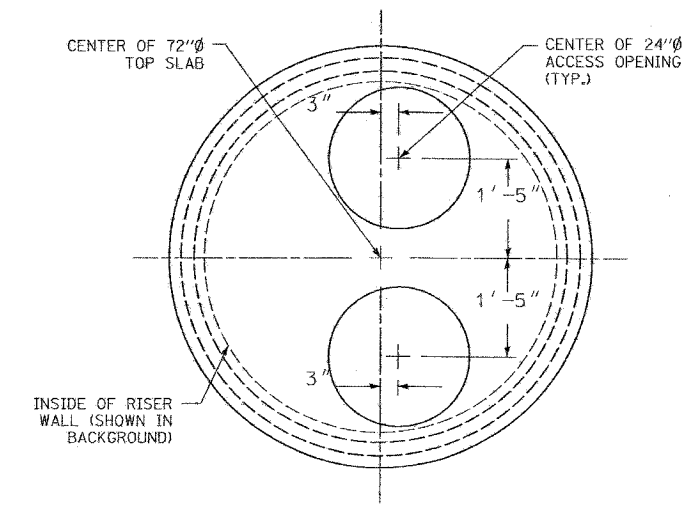
F.A.J. RTE.	SECTION	COUNTY	TOTAL SHEETS	SHEET NO.
3545	54-WRS-7	DuPAGE	235	69
STA.	TO STA.			
FED. ROAD DIST. NO.	ILLINOIS	FED. AID PROJECT		
CONTRACT NO. 62291				



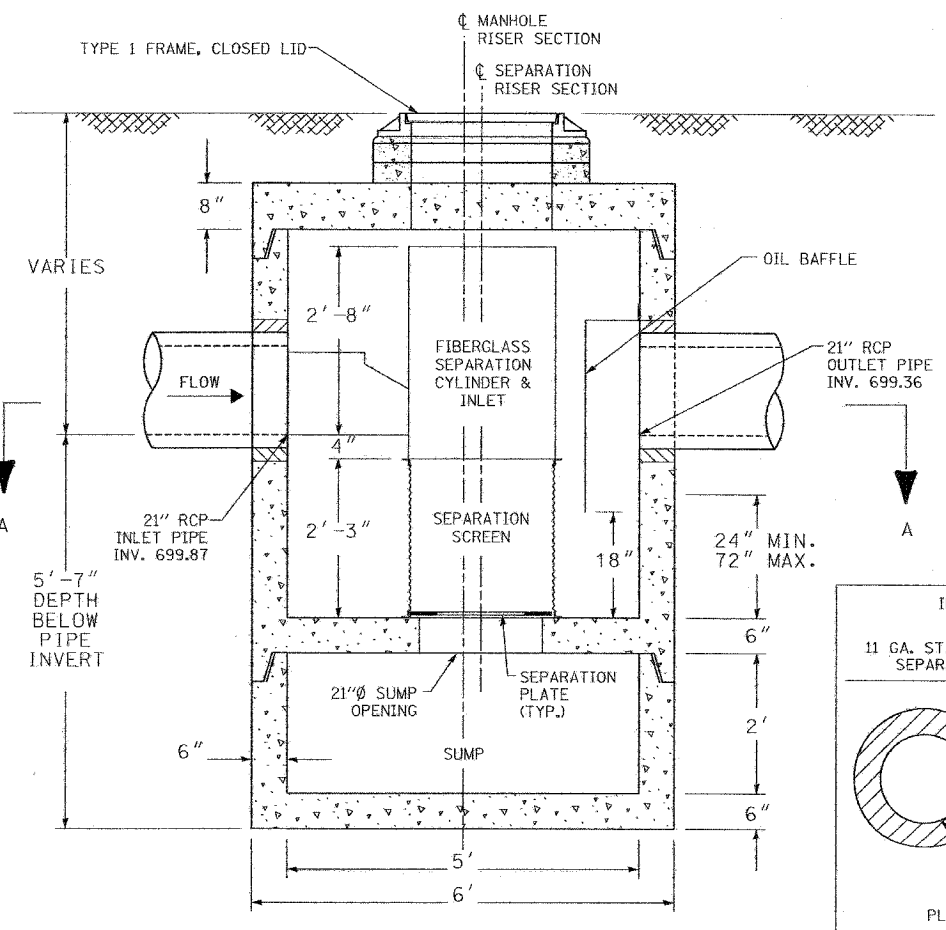
PLAN VIEW



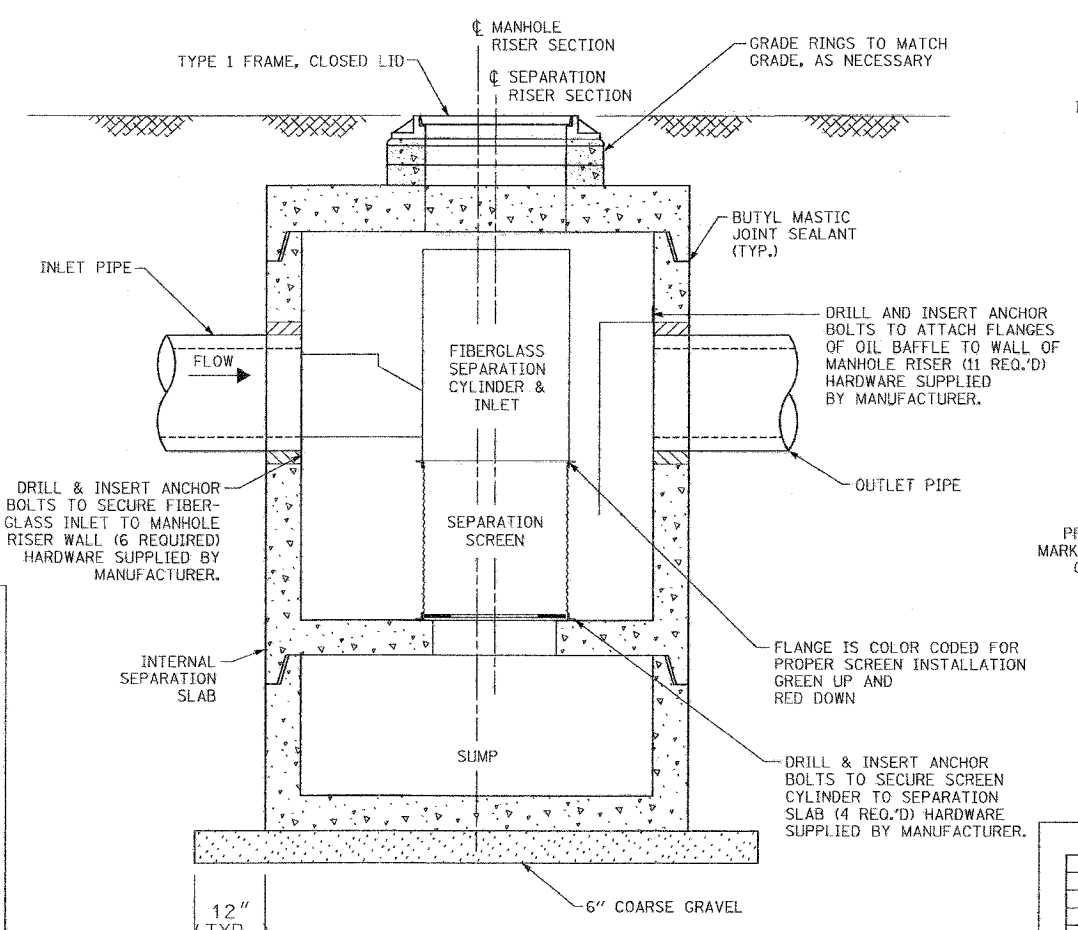
SECTION A-A



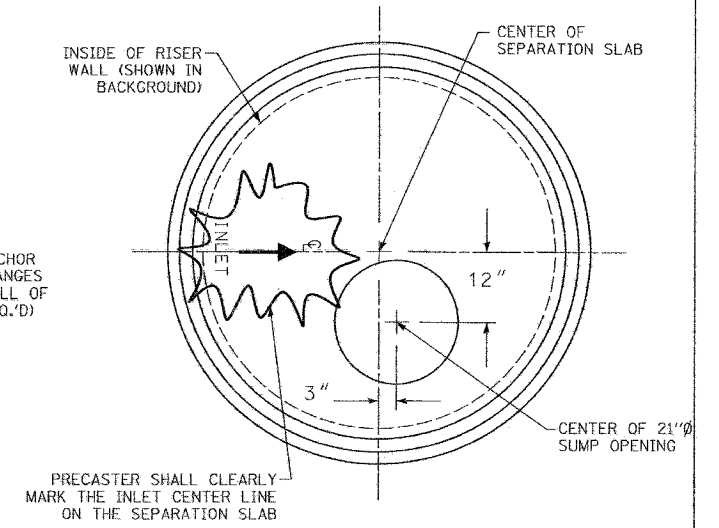
TOP SLAB PLAN VIEW



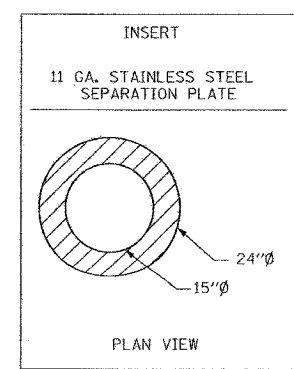
SECTION B-B



CONSTRUCTION NOTES



SEPARATION SLAB PLAN VIEW



MANHOLE 5' DIAMETER, SPECIAL (S-60)
STA. 243+28, 60' RT

REVISIONS	
NAME	DATE

ILLINOIS DEPARTMENT OF TRANSPORTATION
F.A.J. ROUTE 3545
IL RTE 56 (BUTTERFIELD ROAD)

DRAINAGE DETAILS
(VORTEX SEPARATOR, STA. 243+28, RT.)

SCALE: NTS
DATE: 2/20/04

DRAWN BY: SMP
CHECKED BY: BDH