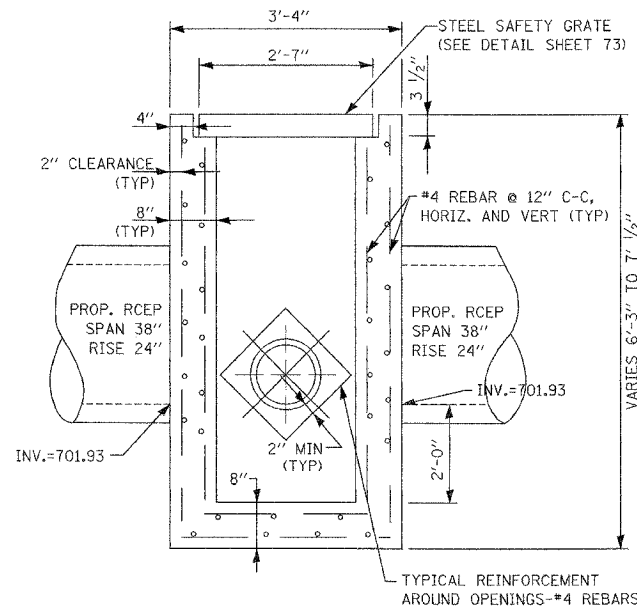
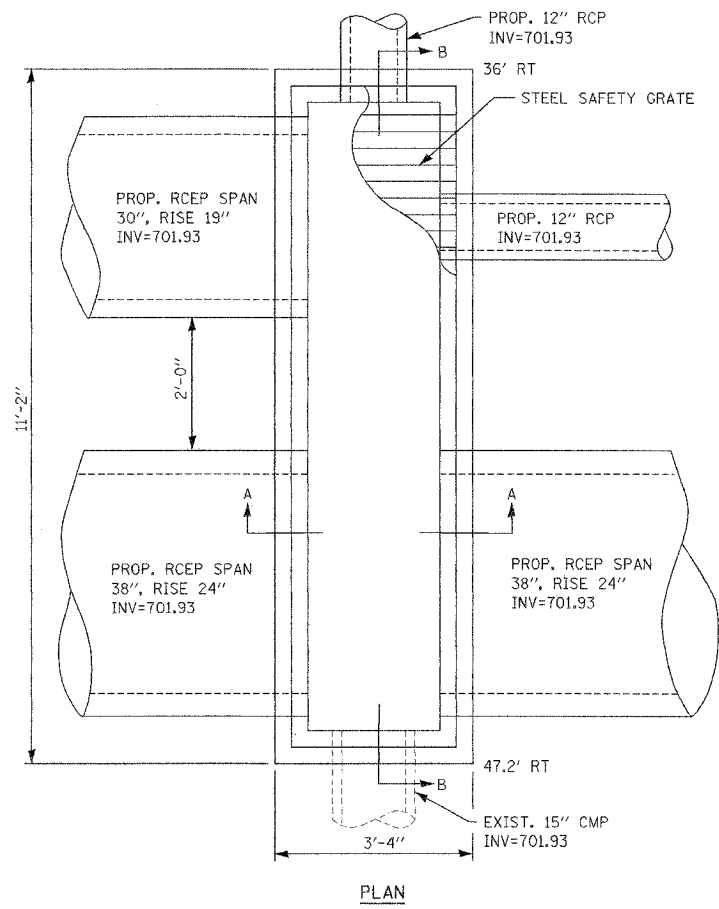
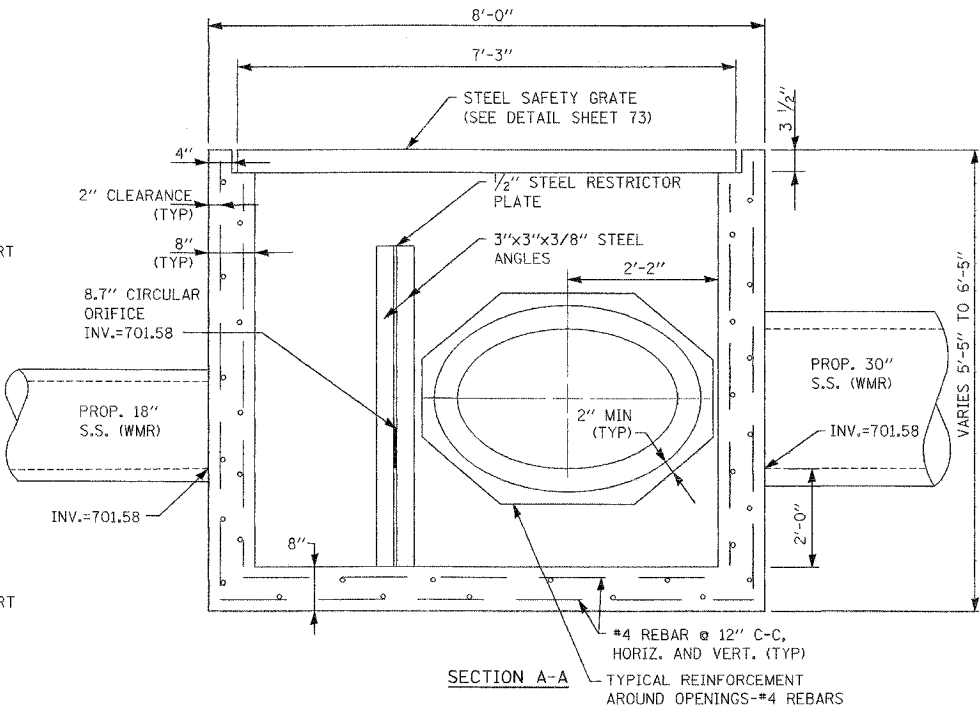
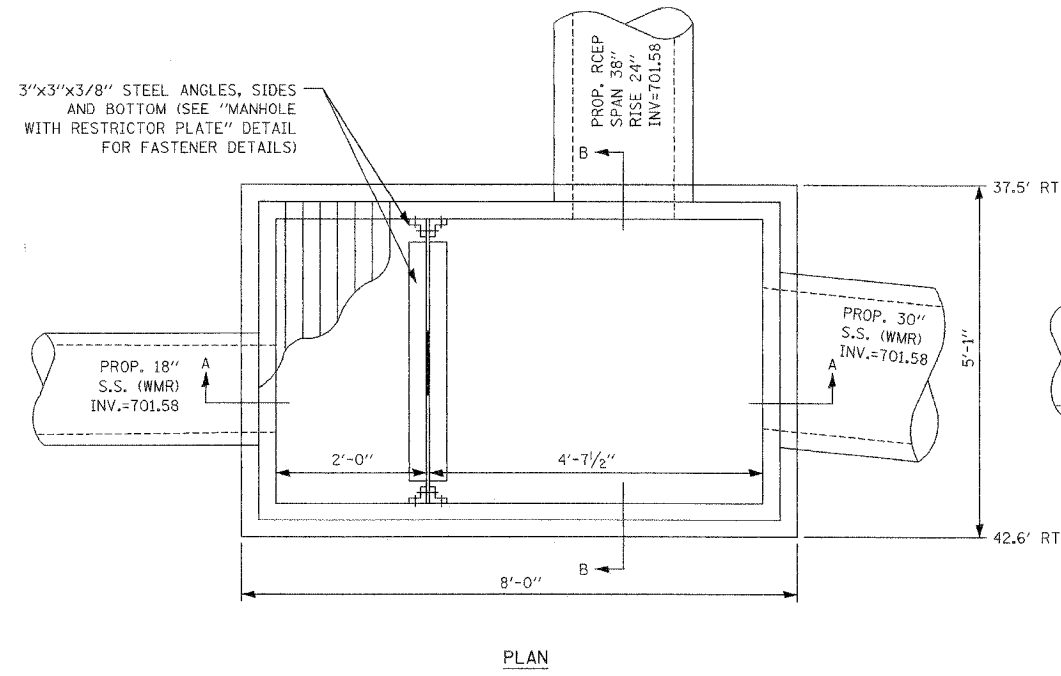
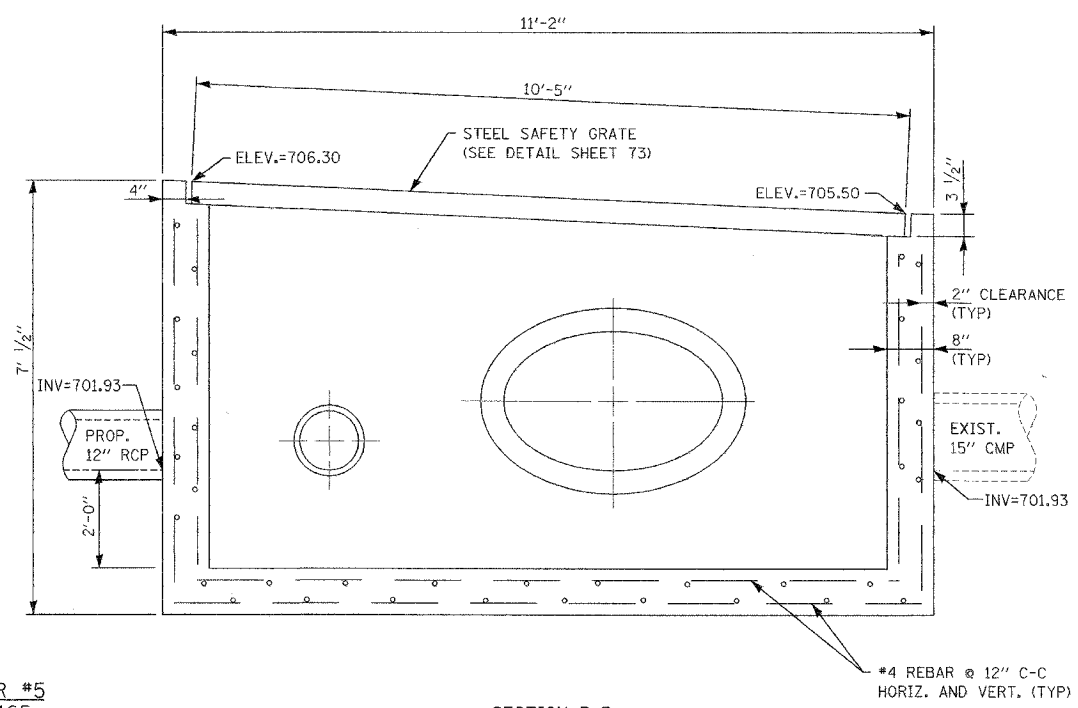


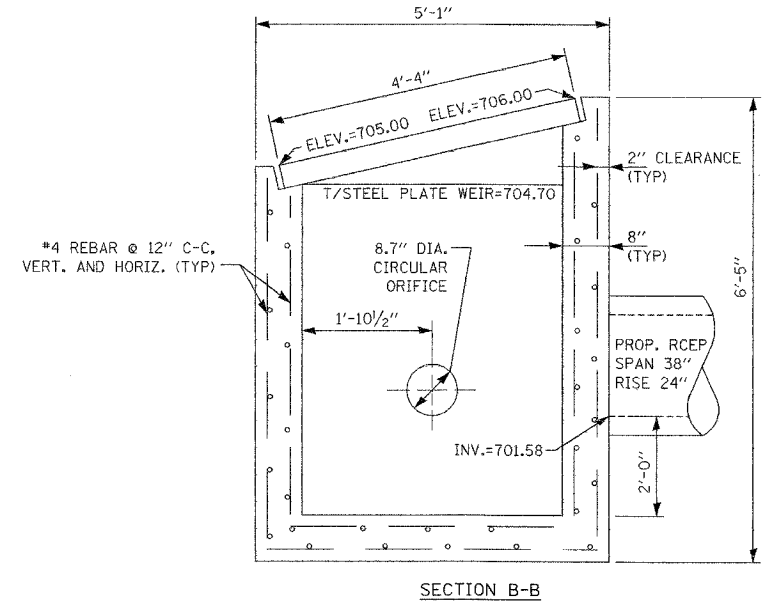
F.A.U. RTE.	SECTION	COUNTY	TOTAL SHEETS	SHEET NO.
3545	54-WRS-7	DuPAGE	235	72
STA.		TO STA.		
FED. ROAD DIST. NO.		ILLINOIS FED. AID PROJECT		
CONTRACT NO. 62291				



JUNCTION CHAMBER #5  
STA. 272+05, S-165



JUNCTION CHAMBER #6  
STA. 276+65, S-184



REVISIONS	
NAME	DATE

ILLINOIS DEPARTMENT OF TRANSPORTATION  
F.A.U. ROUTE 3545  
IL RTE 56 (BUTTERFIELD ROAD)

DRAINAGE DETAILS  
(JUNCTION CHAMBERS #5 AND #6)

SCALE: NTS  
DATE: 2/20/04

DRAWN BY: SMP  
CHECKED BY: BDH