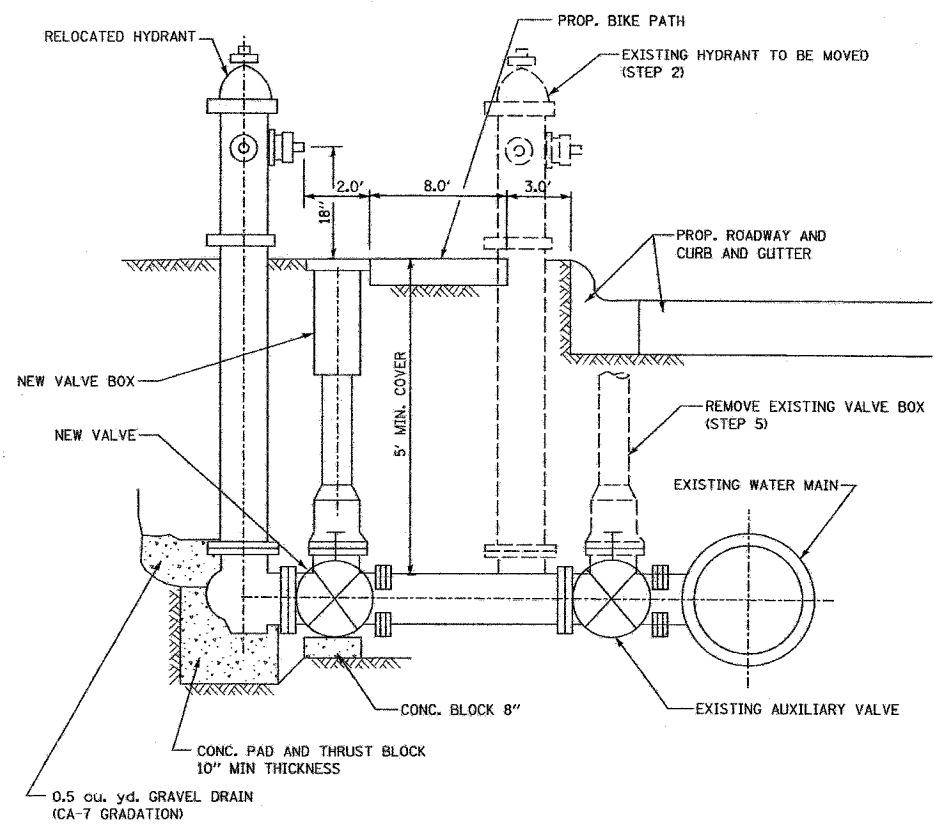
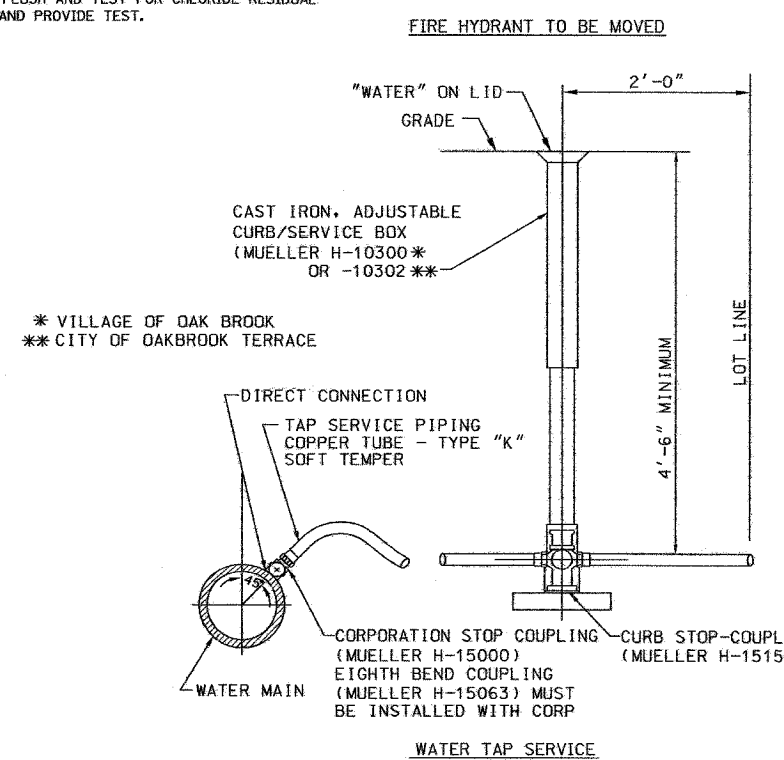


F.A.U. RTE.	SECTION	COUNTY	TOTAL SHEETS	SHEET NO.
3545	54-WRS-7	DuPAGE	235	74
STA.		TO STA.		
FED. ROAD DIST. NO.		ILLINOIS	FED. AID PROJECT	
CONTRACT NO. 62291				

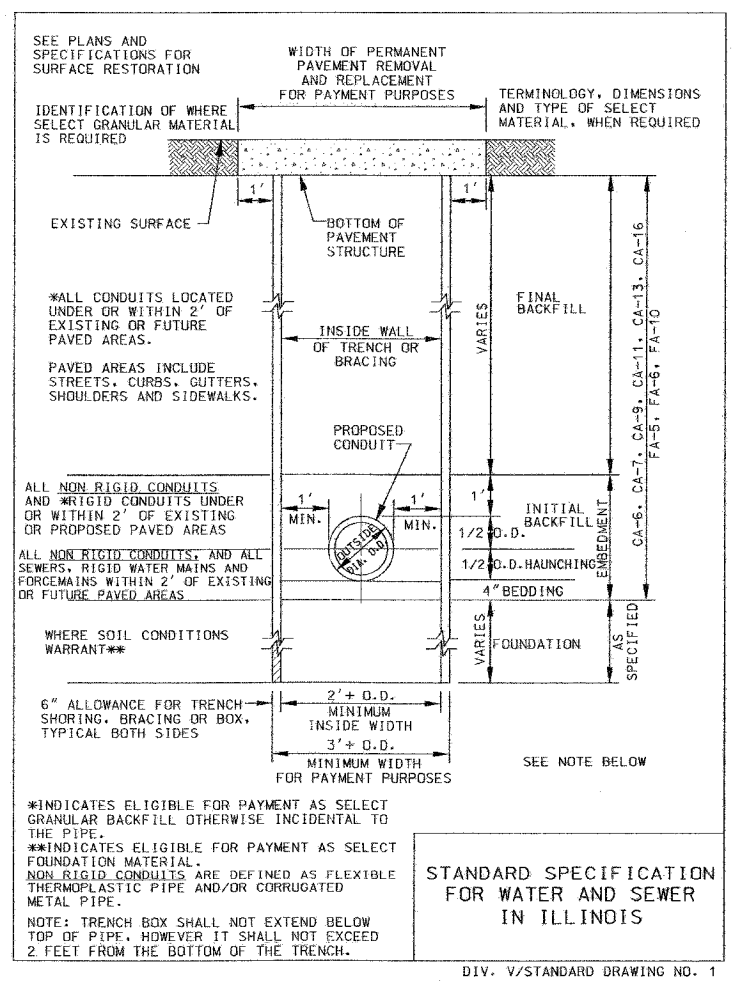
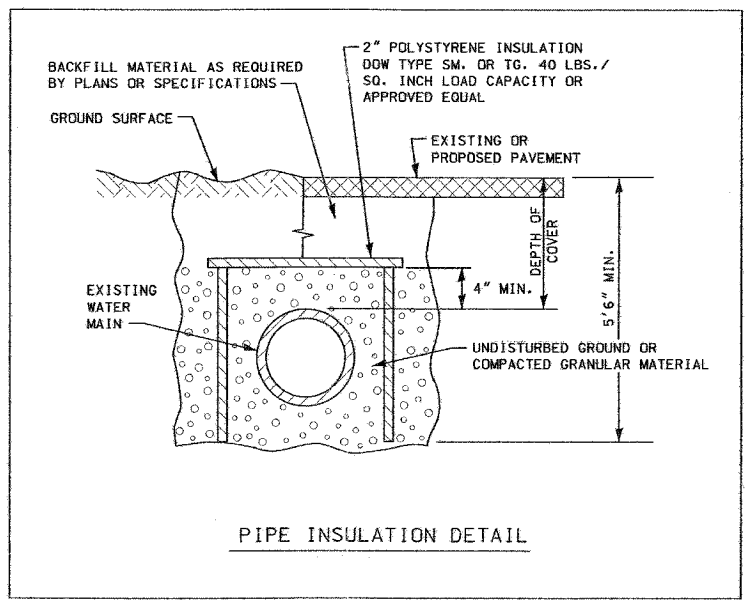


- SEQUENCE OF CONSTRUCTION:**
1. CLOSE EXISTING VALVE.
 2. REMOVE EXISTING HYDRANT.
 3. INSTALL HYDRANT EXTENSION AND NEW VALVE.
 4. RELOCATE EXISTING HYDRANT.
 5. OPEN EXISTING VALVE, REMOVE BOX.
 6. BACKFILL.
 7. FLUSH AND TEST FOR CHLORIDE RESIDUAL AND PROVIDE TEST.

NOTES:
 ALL WORK TO BE DONE IN ACCORDANCE WITH ARTICLE 564 OF THE STANDARD SPECIFICATIONS AND THE SPECIAL PROVISIONS FOR VILLAGE OF OAK BROOK WATER MAIN. NEW VALVE AND BOX SHALL BE SAME MAKE AND MODEL AS EXISTING.



* VILLAGE OF OAK BROOK
 ** CITY OF OAKBROOK TERRACE



- OAK BROOK WATER MAIN STAGING NOTES**
- STAGE 2A:**
- CONSTRUCT W-5 AND NEW 8" WATER MAIN ON ROUTE 56 FROM W-5 TO STA. 252+86 AND NEW FIRE HYDRANTS.
 - CONSTRUCT NEW FIRE HYDRANT AND 6" HYDRANT LEAD AT STA. 96+83, RT. AND CAP END OF LEAD.
 - CONSTRUCT NEW 4" FIRE PROTECTION LINE FOR #1919 MIDWEST RD. AT STA. 97+37, RT., AND CAP BOTH ENDS OF LINE.
 - CONSTRUCT NEW 6" FIRE PROTECTION LINES AND VALVES AT STA. 250+59 RT., AND 250+82 RT. (DO NOT CONNECT TO EXISTING YET)
 - CONSTRUCT W-8.
 - COORDINATE WITH THE VILLAGE OF OAK BROOK TO SHUT DOWN EXISTING 10" WATER MAIN ON MIDWEST RD.
 - CONSTRUCT W-9 OVER EXISTING 10" WATER MAIN.
 - CONNECT W-8 TO EXISTING 10" WATER MAIN.
 - CLOSE W-8 AND REOPEN ALL VALVES ON EXISTING 10" WATER MAIN.
- STAGE 2B:**
 NO WATER MAIN WORK THIS STAGE.
- STAGE 2C:**
- CONSTRUCT W-7, W-6, AND NEW 10" WATER MAIN ALONG MIDWEST RD./SUMMIT AVE. FROM STA. 96+00 TO 100+00. CLOSE NB AND WB LEFT TURN LANES AS NECESSARY FOR CONSTRUCTION OF THESE ITEMS (LANE CLOSURES 9 AM TO 3 PM ONLY). CLOSE W-7 AND W-6.
 - CONNECT NEW 10" WATER MAIN TO W-8, NEW FIRE HYDRANT LEAD, NEW 4" WATER SERVICE LINE LEAD, AND NEW 8" WATER MAIN ON ROUTE 56.
 - OPEN W-8 AND W-5 TO CHARGE NEW 8" AND 10" WATER MAIN.
 - PRESSURE TEST AND CHLORINATE NEW 8" AND 10" WATER MAIN.
 - CONSTRUCT NEW 1" WATER SERVICE AT STA. 98+85 RT; NEW 1 1/2" WATER SERVICE AT STA. 98+09 LT.; AND NEW 2" WATER SERVICES AT STA. 96+80 RT., STA. 97+50 RT., AND STA. 250+85 RT.
 - TRANSFER 4" AND 6" FIRE PROTECTION SERVICES TO NEW LINES.

- STAGE 3A:**
- CONSTRUCT NEW 3" WATER SERVICE LINE AND VALVE AT STA. 101+95 LT. AND CAP END.
- STAGE 3B:**
 NO WATER MAIN WORK THIS STAGE.
- STAGE 3C:**
- CONSTRUCT W-11 AND NEW 10" WATER MAIN FROM W-6 TO W-11.
 - CONSTRUCT NEW 6" FIRE PROTECTION LINE AND VALVE AT STA. 103+42 RT.
 - CONNECT NEW 10" WATER MAIN TO NEW 3" WATER SERVICE STUB AT STA. 101+95 LT.
 - COORDINATE WITH THE VILLAGE OF OAK BROOK TO SHUT DOWN EXISTING 10" WATER MAIN ON THE NORTH SIDE OF ROUTE 56, WEST OF SUMMIT AVE.
 - CONSTRUCT W-10 AND CONNECT TO NEW 10" WATER MAIN. (CLOSE W-10).
 - OPEN EXISTING VALVES.
 - PRESSURE TEST AND CHLORINATE NEW 10" WATER MAIN FROM STA. 100+00 TO STA. 104+12.
 - TRANSFER 3" WATER SERVICE AND 6" FIRE PROTECTION SERVICE TO NEW LINES.
 - OPEN W-6 AND W-10.
 - CONSTRUCT NEW 1 1/2" WATER SERVICE LINE AT STA. 100+91 LT., AND NEW 2" WATER SERVICE LINE AT STA. 102+94 RT.
 - COORDINATE WITH THE VILLAGE OF OAK BROOK TO SHUT DOWN EXISTING 10" WATER MAIN ON SUMMIT AVE. FROM W-9 TO BEYOND THE NORTH LIMIT.
 - CONNECT W-11 TO THE EXISTING WATER MAIN. CUTOFF AND CAP THE END OF THE EXISTING 10" WATER MAIN IMMEDIATELY SOUTH OF THIS CONNECTION.
 - OPEN W-11 AND EXISTING VALVE TO THE NORTH.
 - CONSTRUCT 10"x10" PRESSURE CONNECTION AT STA. 103+64 RT., AND CONNECT TO EXISTING 10" WATER MAIN ON SOUTHLANE DR.
 - RESET TRAFFIC CONTROL TO COMPLETE STAGE 3 CONSTRUCTION.

REVISIONS	
NAME	DATE

ILLINOIS DEPARTMENT OF TRANSPORTATION
 F.A.U. ROUTE 3545
 IL RTE 56 (BUTTERFIELD ROAD)

UTILITY AND CONSTRUCTION DETAILS

SCALE: NTS
 DATE: 2/20/04

DRAWN BY: SMP
 CHECKED BY: MGJ

SEE SPECIAL PROVISIONS FOR ADDITIONAL REQUIREMENTS

DIV. V/STANDARD DRAWING NO. 1