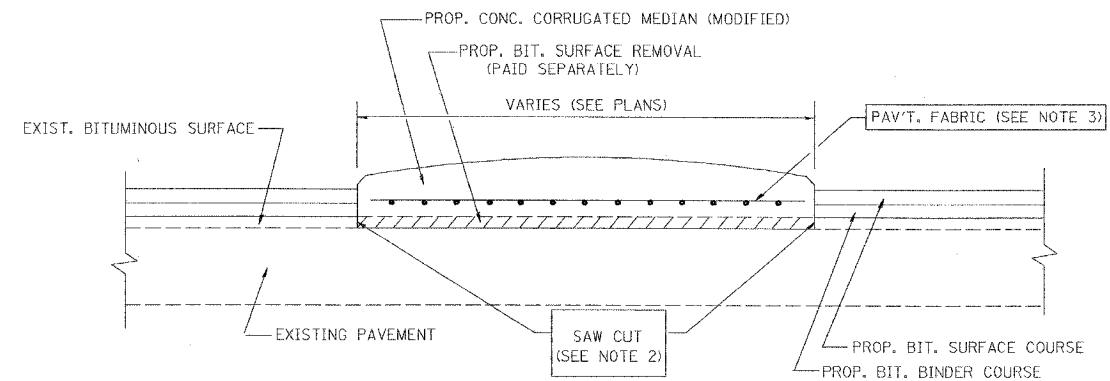


F. A. DIST.	SECTION	COUNTY	TOTAL SHEETS	SHEET NO.
3545	SA WBS-7	DuPage	235	131
STA.		FO STA.		
FED. ROAD DIST. NO. 7	ILLINOIS	FED. AID PROJECT		

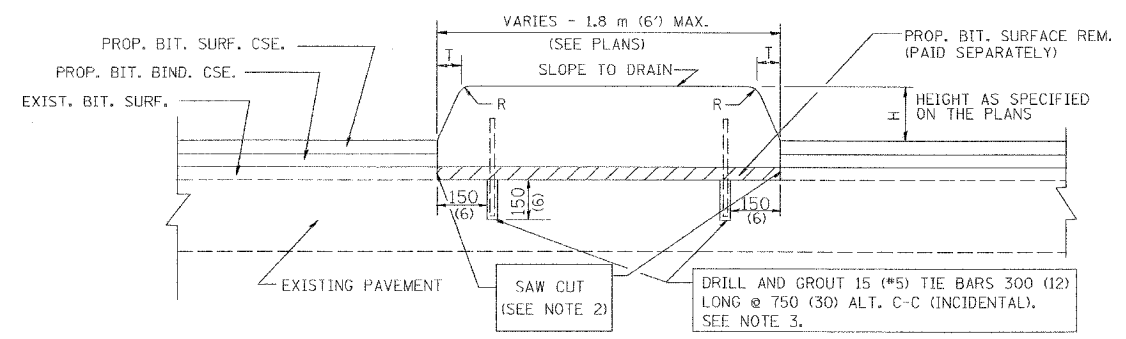
# 62291



- NOTES:
1. CORRUGATED MEDIAN (MODIFIED) SHALL BE CONSTRUCTED IN ACCORDANCE WITH SECTION 606 OF THE STANDARD SPECIFICATIONS AND THE APPLICABLE PORTIONS OF STATE STANDARD 606306.
  2. WITH THE APPROVAL OF THE ENGINEER, THE CONTRACTOR MAY DELETE THE SAW CUT IF A NEAT JOINT CAN BE OBTAINED BY MILLING THE BIT. SURFACE TO BE REMOVED. SAW CUT WILL BE INCLUDED IN THE COST OF CORRUGATED MEDIAN (MODIFIED)
  3. PAVEMENT FABRIC WILL BE INCLUDED IN THE COST OF CORRUGATED MEDIAN (MODIFIED)

**DETAILS FOR CORRUGATED MEDIAN (MODIFIED)**

BASIS OF PAYMENT : "CORRUGATED MEDIAN (MODIFIED)"  
MEASUREMENT: m<sup>2</sup> (sq. ft.)



- NOTES:
1. CONCRETE MEDIAN TYPE SB (DOWELLED) SHALL BE CONSTRUCTED IN ACCORDANCE WITH THE APPLICABLE PORTIONS OF STATE STANDARD 606301 AND SECTION 606 OF THE STANDARD SPECIFICATIONS.
  2. WITH THE APPROVAL OF THE ENGINEER, THE CONTRACTOR MAY DELETE THE SAW CUT IF A NEAT JOINT CAN BE OBTAINED BY MILLING THE BIT. SURFACE TO BE REMOVED. SAW CUT WILL BE INCLUDED IN THE COST OF "CONCRETE MEDIAN TYPE SB (DOWELLED)"
  3. FOR MEDIAN WIDTH LESS THAN 1.2 m (4') USE ONE ROW OF 15 (#5) BARS @ 750 (30) C-C ALONG THE MEDIAN CENTERLINE. TIE BARS WILL BE INCLUDED IN THE COST OF "CONCRETE MEDIAN TYPE SB (DOWELLED)"

H	R	T
150 (6)	25 (1)	25 (1)
225 (9)	25 (1)	50 (2)

**DETAILS FOR CONCRETE MEDIAN  
TYPE SB (DOWELLED)**

BASIS OF PAYMENT : "CONCRETE MEDIAN TYPE SB (DOWELLED)"  
MEASUREMENT: m<sup>2</sup> (sq. ft.)

ALL DIMENSIONS ARE IN MILLIMETERS (INCHES) UNLESS OTHERWISE SHOWN.

REVISIONS	
NAME	DATE
M. DE YONG	05/14/90
M. DE YONG	06/13/90
M. DE YONG	06/14/90
M. DE YONG	06/20/90
M. DE YONG	09/21/90
M. DE YONG	10/12/90
R. SHAH	09/09/94
R. SHAH	10/25/94
E. GOMEZ	08/28/00

ILLINOIS DEPARTMENT OF TRANSPORTATION  
**DETAILS FOR  
CONCRETE MEDIAN TYPE SB (DOWELLED)  
CORRUGATED MEDIAN (MODIFIED)**

SCALE: NONE  
DATE 10/18/2002  
DRAWN BY: JLS  
CHECKED BY: BD-51  
REVISION DATE: 08/28/00