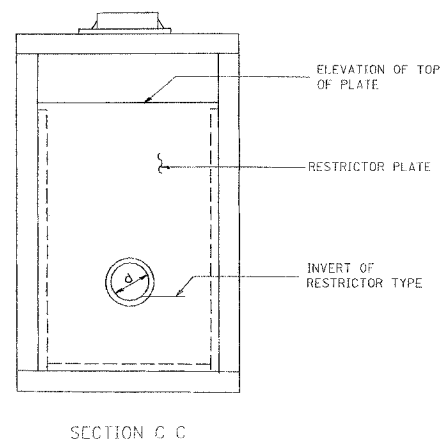
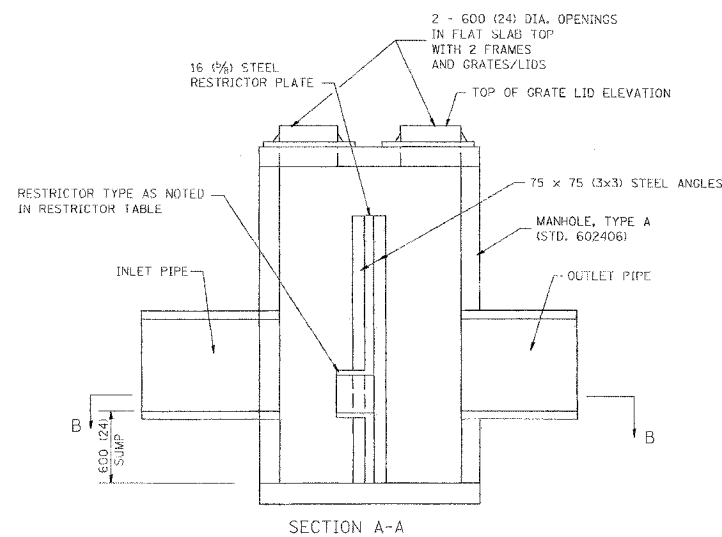
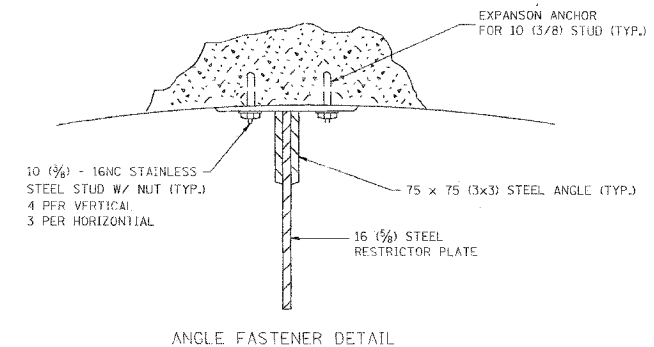
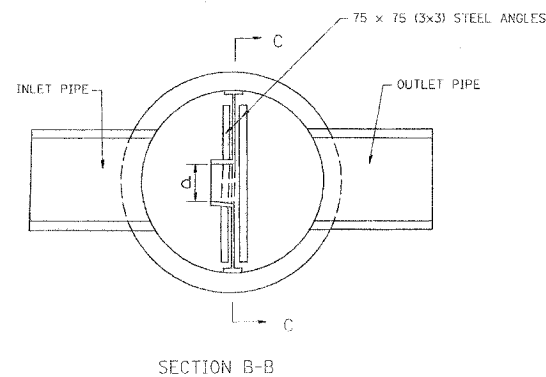
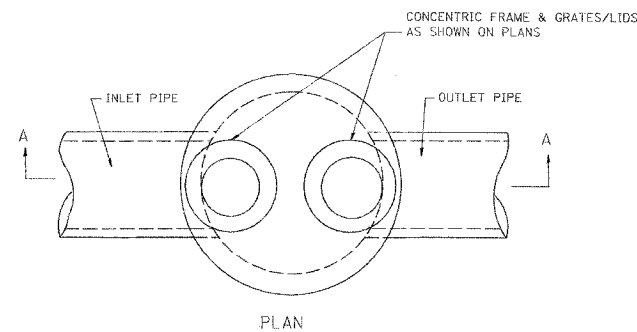
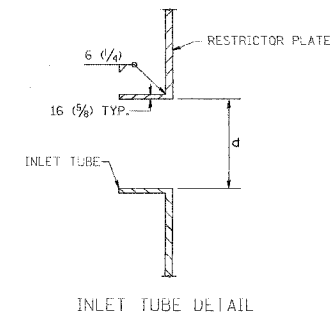


F.A.L. RTE.	SECTION	COUNTY	TOTAL SHEETS	SHEET NO.
3545	54-WRS-7	DuPAGE	235	133
STA.		TO STA.		
FED. ROAD DIST. NO.		ILLINOIS FED. AID PROJECT		
CONTRACT NO. 62291				

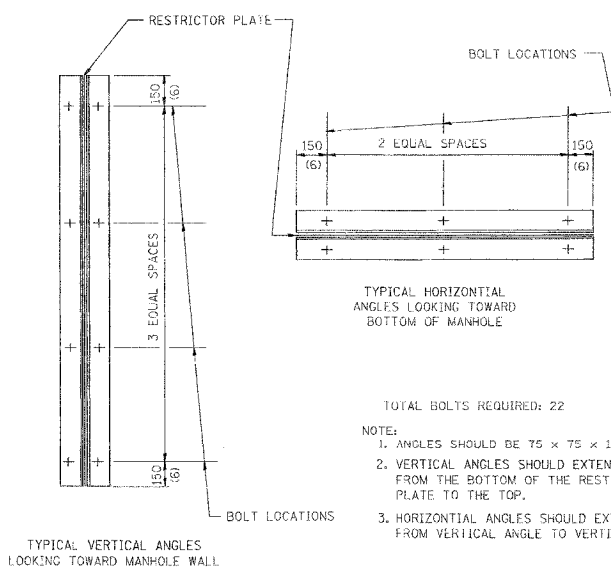


NOTES:

- ALL STEEL ANGLES AND PLATES TO BE GALVANIZED AFTER FABRICATION.
- ALL RESTRICTOR PLATES, ANGLES AND HARDWARE TO BE INCLUDED IN THE COST OF THE MANHOLE.
- BASIS OF PAYMENT: "MANHOLES, TYPE A, 1.8M (6FT.) DIAMETER, TYPE 1 FRAME, CLOSED LID, RESTRICTOR PLATE" EACH



STATION	MANHOLE DIAMETER	FRAME AND GRATE	RESTRICTOR TYPE	INSIDE RESTRICTOR TYPE DIAMETER mm (in.) (d)	INVERT OF RESTRICTOR TYPE	ELEVATION OF TOP OF PLATE OVERFLOW
231+85	6	TIF CL	2	30.00	709.70	713.28
243+24	6	TIF CL	2	9.25	700.08	703.10



- TOTAL BOLTS REQUIRED: 22
- NOTE:
- ANGLES SHOULD BE 75 x 75 x 10 (3x3x3/8)
  - VERTICAL ANGLES SHOULD EXTEND FROM THE BOTTOM OF THE RESTRICTOR PLATE TO THE TOP.
  - HORIZONTAL ANGLES SHOULD EXTEND FROM VERTICAL ANGLE TO VERTICAL ANGLE.

RESTRICTOR TYPE					
1	2	3	4	5	6
RE-ENTRANT TUBE	SHARP EDGED	SQUARE EDGED	RE-ENTRANT TUBE	SQUARE EDGED	ROUNDED
LENGTH: 1/2 TO 1 DIA.		STREAM CLEARS SIDES	LENGTH: 2-1/2 DIA.	LENGTH: 2-1/2 DIA.	
C=.52	C=.61	C=.61	C=.73	C=.82	C=.98

VALUES OF "C" FOR CIRCULAR AND SQUARE ORIFICES

ALL DIMENSIONS ARE IN MILLIMETERS (INCHES) UNLESS OTHERWISE SHOWN.

ILLINOIS DEPARTMENT OF TRANSPORTATION

MANHOLE WITH RESTRICTOR PLATE

REVISIONS	
NAME	DATE
R. SHAH	09/09/94
R. SHAH	10/25/94
E. GOMEZ	08/28/00
M. GOMEZ	01/08/01

SCALE: NONE  
DATE 10/18/2002

DRAWN BY  
CHECKED BY  
BD600-04 (BD-12)  
REVISION DATE: 01/08/01