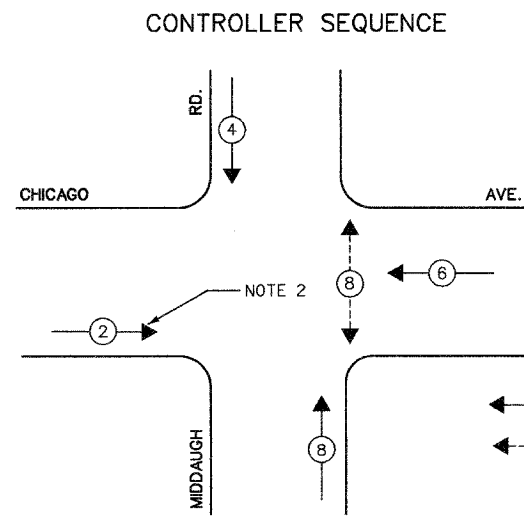


F.A.U. RTE.	SECTION	COUNTY	TOTAL SHEETS	SHEET NO.
1487	66R	DuPAGE	412	199
STA. 23+00		TO STA. 144+00		
FED. ROAD DIST. NO.	ILLINOIS	FED. AID PROJECT:		

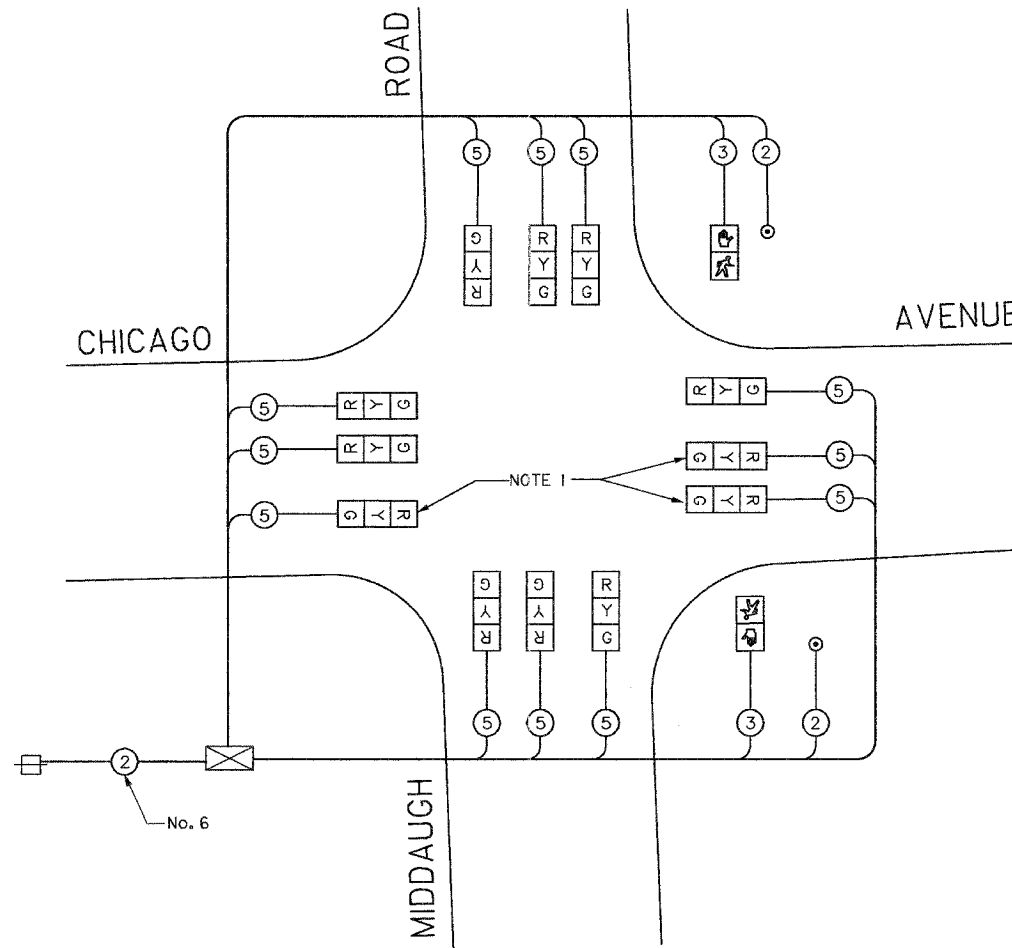
CONTRACT NO. G2376



LEGEND

- ← * → DUAL ENTRY PHASE
- ← * - - - → PEDESTRIAN PHASE
- * NUMBER REFERS TO ASSOCIATED PHASE

PHASE DESIGNATION DIAGRAM



TEMPORARY CABLE PLAN

TEMPORARY CABLE DIAGRAM LEGEND

- [R] TEMPORARY TRAFFIC SIGNAL SECTION OR PEDESTRIAN SIGNAL SECTION 12" (300mm)
- [X] TEMPORARY CONTROLLER CABINET
- [] TEMPORARY SERVICE INSTALLATION
- (5) INDICATES NUMBER OF CONDUCTORS IN CABLE. ALL CONDUCTORS TO BE NUMBER 14 AWG WIRE UNLESS OTHERWISE NOTED.
- ▲ EMERGENCY VEHICLE LIGHT DETECTOR
- CONFIRMATION BEACON
- VEHICLE DETECTOR, INDUCTION LOOP
- PEDESTRIAN PUSHBUTTON DETECTOR
- [] 12" (300mm) PEDESTRIAN SIGNAL SECTION
- MICROWAVE VEHICLE SENSOR

NOTE 1: THESE SIGNAL HEADS FOR THE EASTBOUND DIRECTION OF TRAFFIC SHALL BE DISABLED AND BAGGED DURING CONSTRUCTION STAGES PRE-STAGE, STAGE 1, AND STAGE 2. THEY SHALL BE IN OPERATION AFTER ALL THE PAVEMENT GEOMETRICS ARE IN PLACE AND TWO-WAY (EAST-WEST) TRAFFIC IS RESTORED.

NOTE 2: THE PHASE 2 FOR THE EASTBOUND DIRECTION SHALL BE DISABLED DURING CONSTRUCTION STAGES PRE-STAGE, STAGE 1, AND STAGE 2. IT SHALL BE ACTIVATED AFTER ALL THE PAVEMENT GEOMETRICS ARE IN PLACE AND TWO-WAY (EAST-WEST) TRAFFIC IS RESTORED.

I.D.O.T. TRAFFIC SIGNAL INSTALLATION ELECTRICAL SERVICE REQUIREMENTS						TOTAL WATTAGE
TYPE	NO LAMPS	WATTAGE		OPERATION		
		INCAND.	LED			
SIGNAL (RED)	12	135	17	0.50		810.0
(YELLOW)	12	135	25	0.25		405.0
(GREEN)	12	135	15	0.25		405.0
ARROW	12	135	12	0.10		162.0
PED. SIGNAL	2	90	25	1.00		180.0
CONTROLLER	1	100	100	1.00		100.0
ILLUM. SIGN				0.05		
FLASHER				0.50		
ENERGY COSTS TO:					TOTAL =	2062.0
ILLINOIS DEPARTMENT OF TRANSPORTATION 201 WEST CENTER COURT SCHAMBLURG, ILLINOIS 60196-1096						
ENERGY SUPPLY CONTACT: COMED PHONE: (866) 639-3532 COMPANY: COMED						

ILLINOIS DEPARTMENT OF TRANSPORTATION

**TEMPORARY CABLE PLAN
PHASE DESIGNATION DIAGRAM
CHICAGO AVENUE AT MIDDAUGH ROAD**

REVISIONS	
NAME	DATE

SCALE: N.T.S.
DATE: SEPTEMBER 30, 2004

DRAWN BY: BB
DESIGNED BY: PKG
CHECKED BY: PKG

GA GANDHI AND ASSOCIATES, INC.
ENGINEERS AND PLANNERS
6035 N. NORTHWEST HIGHWAY
SUITE 306
CHICAGO, ILLINOIS 60631 TEL. (773) 774-5910