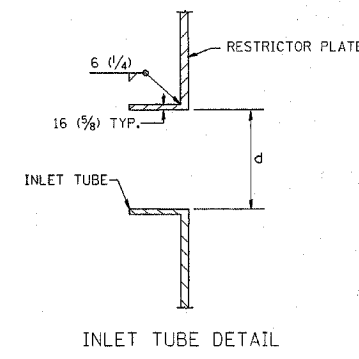
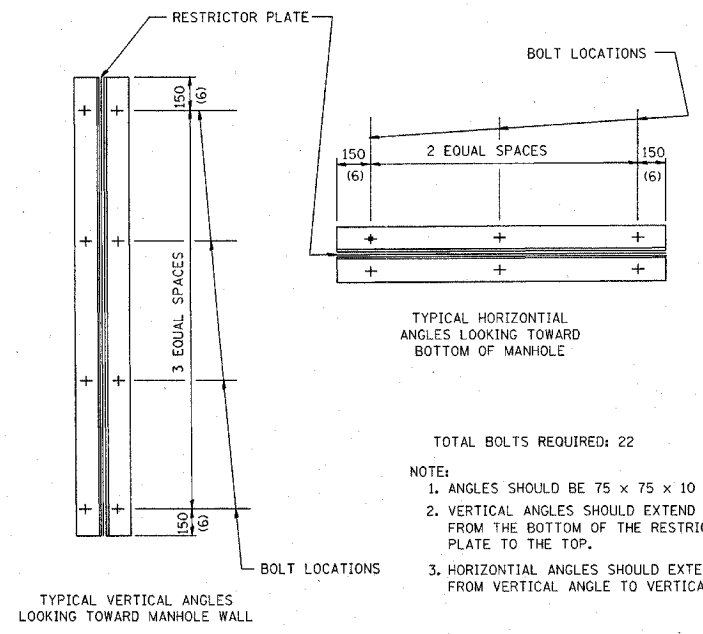


- NOTES:
- ALL STEEL ANGLES AND PLATES TO BE GALVANIZED AFTER FABRICATION.
 - ALL RESTRICTOR PLATES, ANGLES AND HARDWARE TO BE INCLUDED IN THE COST OF THE MANHOLE.



STRUCTURE NUMBER	STATION	MANHOLE DIAMETER	FRAME AND GRATE	RESTRICTOR TYPE	INSIDE RESTRICTOR TYPE DIAMETER in (d)	INVERT OF RESTRICTOR TYPE	ELEVATION OF TOP OF PLATE OVERFLOW
10	27+38	6'	T8G (2)	2	36	725.56	731.76
223	75+68	6'	T1FCL (2)	2	18	739.76	742.22
255	84+70	6'	T8G (2)	2	14	746.38	749.25
323	112+32	7'	T1FCL (2)	2	18	728.26	731.86
424	130+73	6'	T8G (2)	2	15	729.10	733.52
400	143+29	6'	T1FCL (2)	2	22	721.52	724.38

BASIS OF PAYMENT: MANHOLE, TYPE A RESTRICTOR PLATE WITH THE FRAME AND GRATE AND DIAMETER SPECIFIED.



- TOTAL BOLTS REQUIRED: 22
- NOTE:
- ANGLES SHOULD BE 75 x 75 x 10 (3x3x3/8)
 - VERTICAL ANGLES SHOULD EXTEND FROM THE BOTTOM OF THE RESTRICTOR PLATE TO THE TOP.
 - HORIZONTAL ANGLES SHOULD EXTEND FROM VERTICAL ANGLE TO VERTICAL ANGLE.

RESTRICTOR TYPE					
1	2	3	4	5	6
RE-ENTRANT TUBE	SHARP EDGED	SQUARE EDGED	RE-ENTRANT TUBE	SQUARE EDGED	ROUNDED
LENGTH: 1/2 TO 1 DIA.		STREAM CLEARS SIDES	LENGTH: 2-1/2 DIA.	LENGTH: 2-1/2 DIA.	
C=.52	C=.61	C=.61	C=.73	C=.82	C=.98

VALUES OF "C" FOR CIRCULAR AND SQUARE ORIFICES

ALL DIMENSIONS ARE IN MILLIMETERS (INCHES) UNLESS OTHERWISE SHOWN.

ILLINOIS DEPARTMENT OF TRANSPORTATION

MANHOLE WITH RESTRICTOR PLATE

REVISIONS	
NAME	DATE
R. SHAH	09/09/94
R. SHAH	10/25/94

SCALE: NONE

DATE: 2004

DRAWN BY: IDOT

CHECKED BY: SV