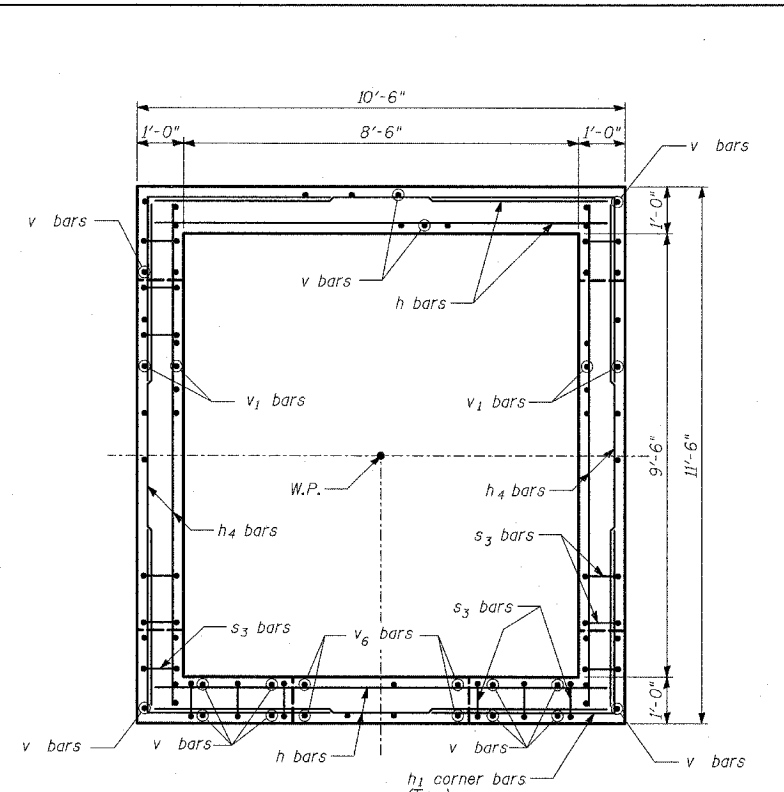
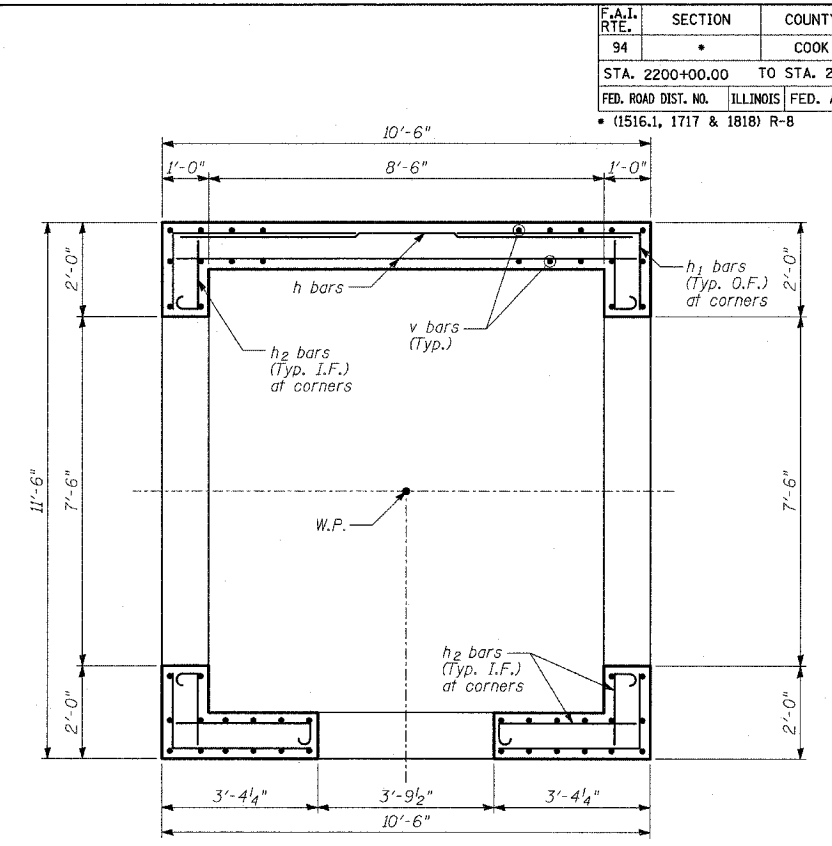


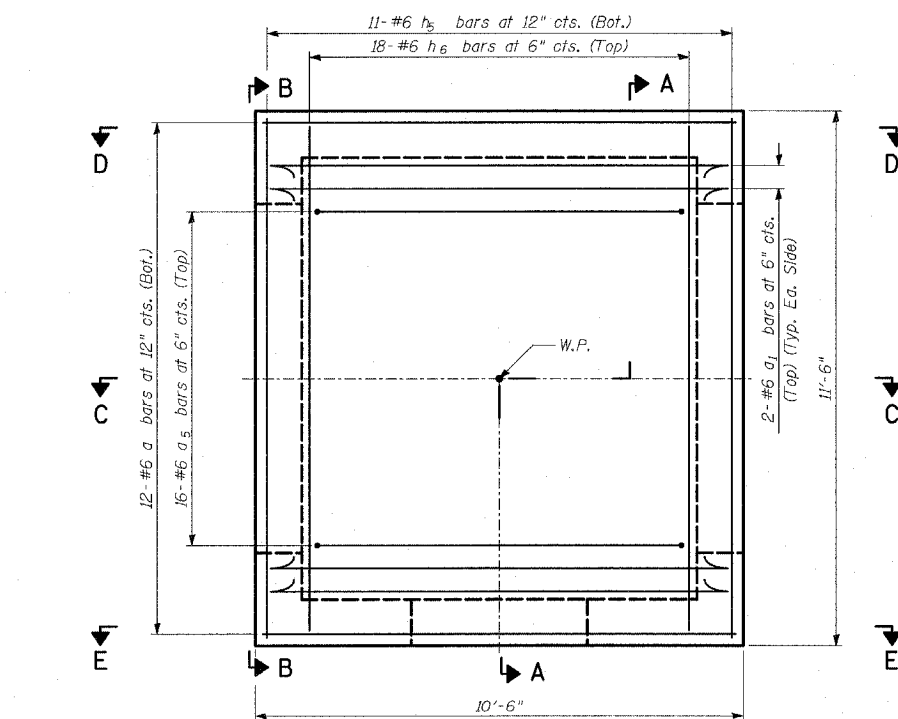
ROOF SLAB PLAN



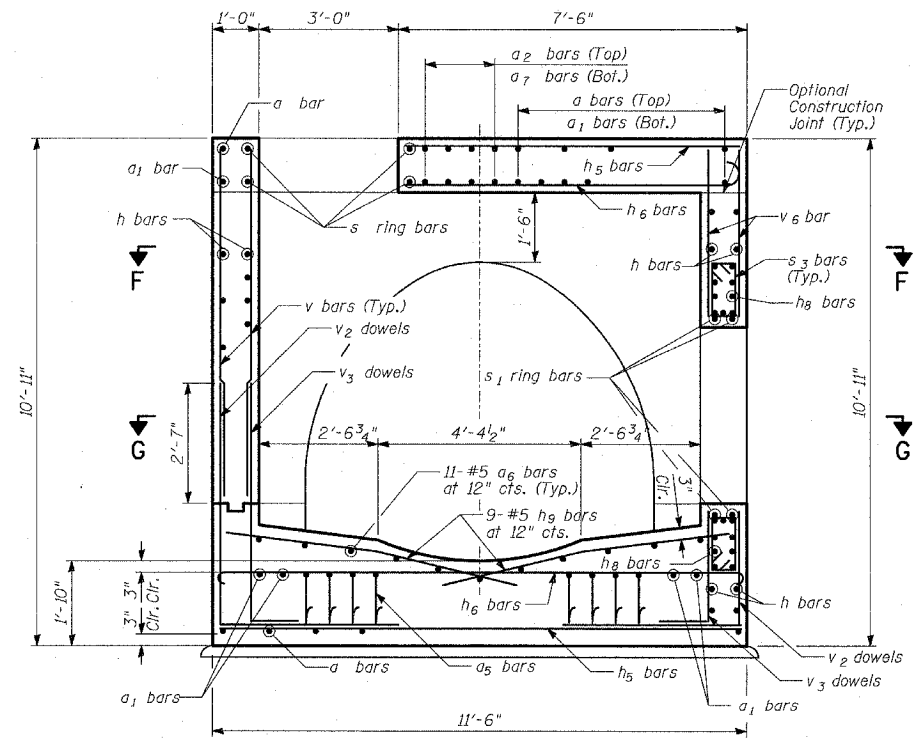
SECTIONAL PLAN F-F



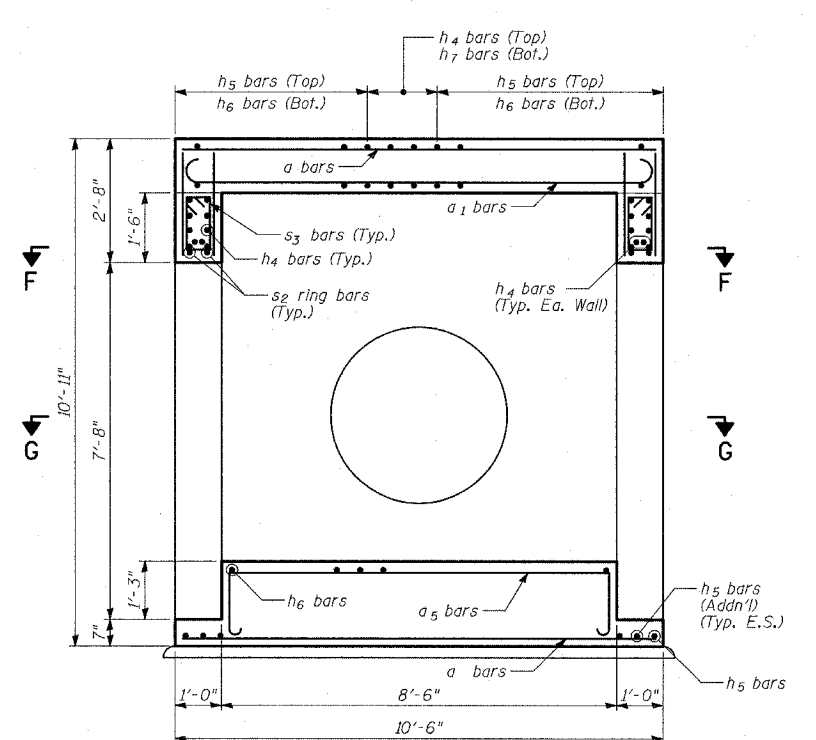
SECTIONAL PLAN G-G



BOTTOM SLAB PLAN



SECTION A-A



SECTION C-C

NOTES:

- All dimensions and elevations shall be field verified prior to construction.
- Concrete pipe sizes shall be coordinated with openings provided into junction chamber before pouring concrete.
- Manhole Frame, Ladder Rungs, and any inserts installation shall be coordinated with Roadway Plans.
- Concrete cover for reinforcement steel to be 2" unless otherwise noted.
- All concrete edges shall be chamfered 1 inch.
- All lap splices marked on the drawings are minimum.
- Concrete Compressive Strength $f_c' = 3,500$ psi.
- Steel Yield Strength = 60,000 psi.
- Work this Sheet with Sheets 1 and 3 of 3.
- Cut bars to fit in field.
- E.F. - denotes Each Face
- E.S. - denotes Each Side
- I.F. - denotes Inside Face
- O.F. - denotes Outside Face

TYLIN INTERNATIONAL

REVISIONS	
NAME	DATE

ILLINOIS DEPARTMENT OF TRANSPORTATION
F.A.I. 94 (DAN RYAN EXPRESSWAY)
JUNCTION CHAMBER 62
DETAILS 1

S.N. _____
SCALE: _____
DATE: MARCH 18, 2005

DESIGNED BY: TD, DE
DRAWN BY: DE
CHECKED BY: MI, TD