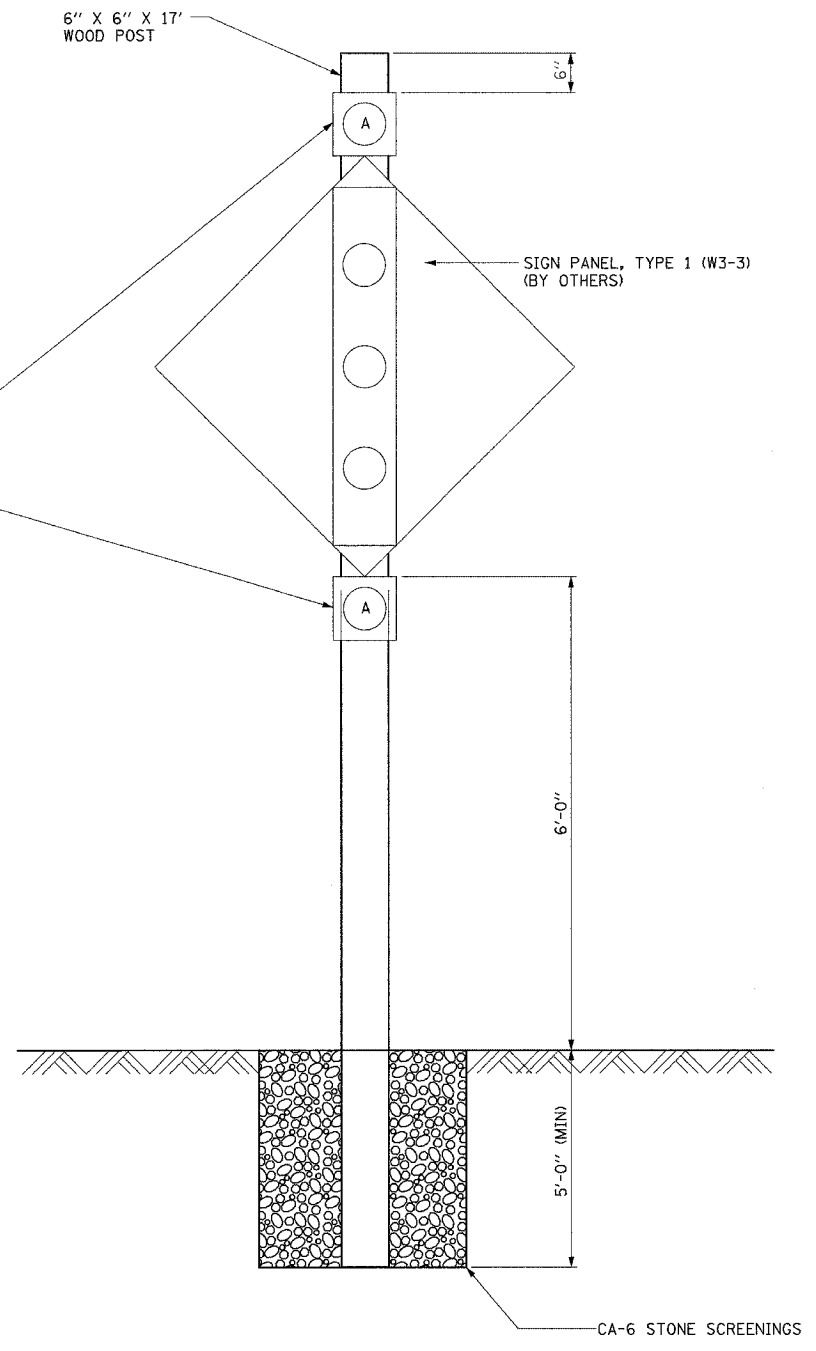
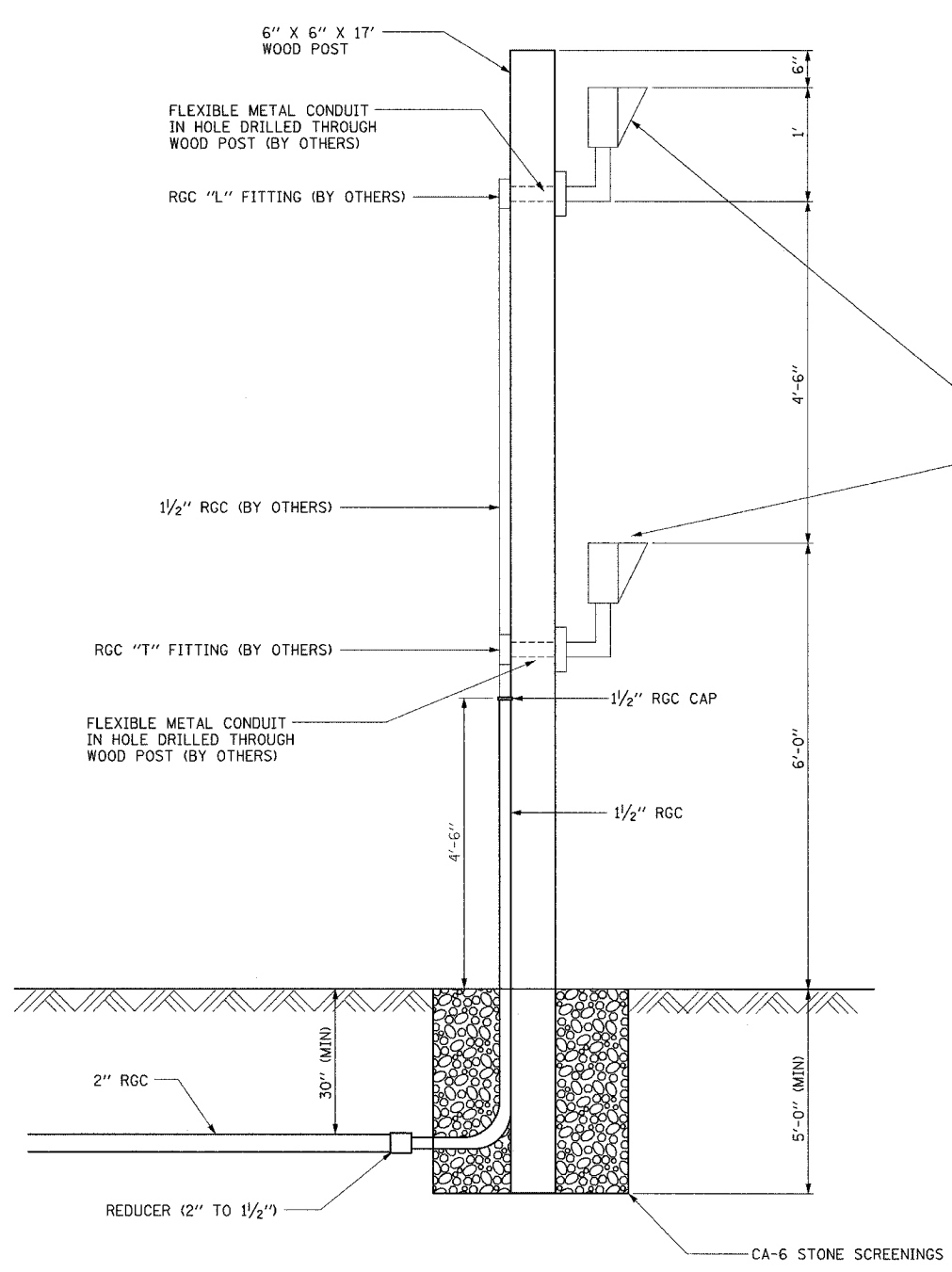


F.A.I. RTE.	SECTION	COUNTY	TOTAL SHEETS	SHEET NO.
94	•	COOK	860	346
STA. --- TO STA. ---		FED. ROAD DIST. NO. 1 ILLINOIS FED. AID PROJECT		
• (1516,1,1717 & 1818) R-8		62694		



- NOTES:
1. FOR WOOD POST INSTALLATION DETAILS, SEE SECTION 730 OF STANDARD SPECIFICATIONS.
 2. ALL ITEMS MARKED BY OTHERS WILL BE INSTALLED UNDER CONTRACT NUMBER 62583.

Edwards AND Kelcey
 ONE NORTH FRANKLIN
 CHICAGO, IL 60606
 PHONE: (312) 251-3000
 FAX: (312) 251-3015
 WEB: WWW.EKCORP.COM

REVISIONS	
NAME	DATE

ILLINOIS DEPARTMENT OF TRANSPORTATION
 F.A.I. 90/94 (DAN RYAN EXPRESSWAY)
 17A/EI-112
 WOOD SIGN SUPPORT (SPECIAL)
 SCALE: NTS
 DATE: MARCH 18, 2005
 DRAWN BY: CADD
 CHECKED BY: CTC

3/24/2005 4:46:03 PM