

F.A.I. RTE.	SECTION	COUNTY	TOTAL SHEETS	SHEET NO.
90/94	*	COOK	860	395
STA. 1334+00		TO STA. 1347+00		
FED. ROAD DIST. NO.	ILLINOIS	FED. AID PROJECT		
* (1516, 1, 1717 & 1818) R-8		62694		

**NOTES:**

- SEE DRAWINGS EI-100 AND EI-101 FOR ELECTRICAL SYMBOLS AND ABBREVIATIONS.
- COORDINATE ALL WORK WITH IDOT CONTRACTS 62583 AND 62695.
- UNLESS NOTED OTHERWISE, ALL ITEMS AND WORK SHOWN IN HEAVY LINE WEIGHT ON THIS DRAWING ARE PROPOSED NEW ITEMS AND WORK.
- REFER TO SHEET EI-112 FOR WOOD SIGN SUPPORT DETAILS.
- SIGN STRUCTURE SHALL BE PROVIDED UNDER THIS CONTRACT. SIGN LUMINAIRES, DISCONNECT SWITCH, WIRING AND CONNECTIONS SHALL BE PROVIDED UNDER CONTRACT 62583.
- REFER TO SHEETS EI-102 AND ME-04 FOR DUCTBANK INSTALLATION DETAILS.
- REFER TO SHEETS EI-106, EI-110, AND EI-113 FOR RAMP METERING DETAILS.
- REFER TO SHEETS EI-103, EI-106 AND EI-110 FOR HANDHOLE DETAILS.
- REFER TO SHEET EI-107 FOR COMMUNICATIONS VAULT CI DETAILS.

MATCH LINE STA. 1347+00  
SEE SHEET EI-21



17A/EI-20

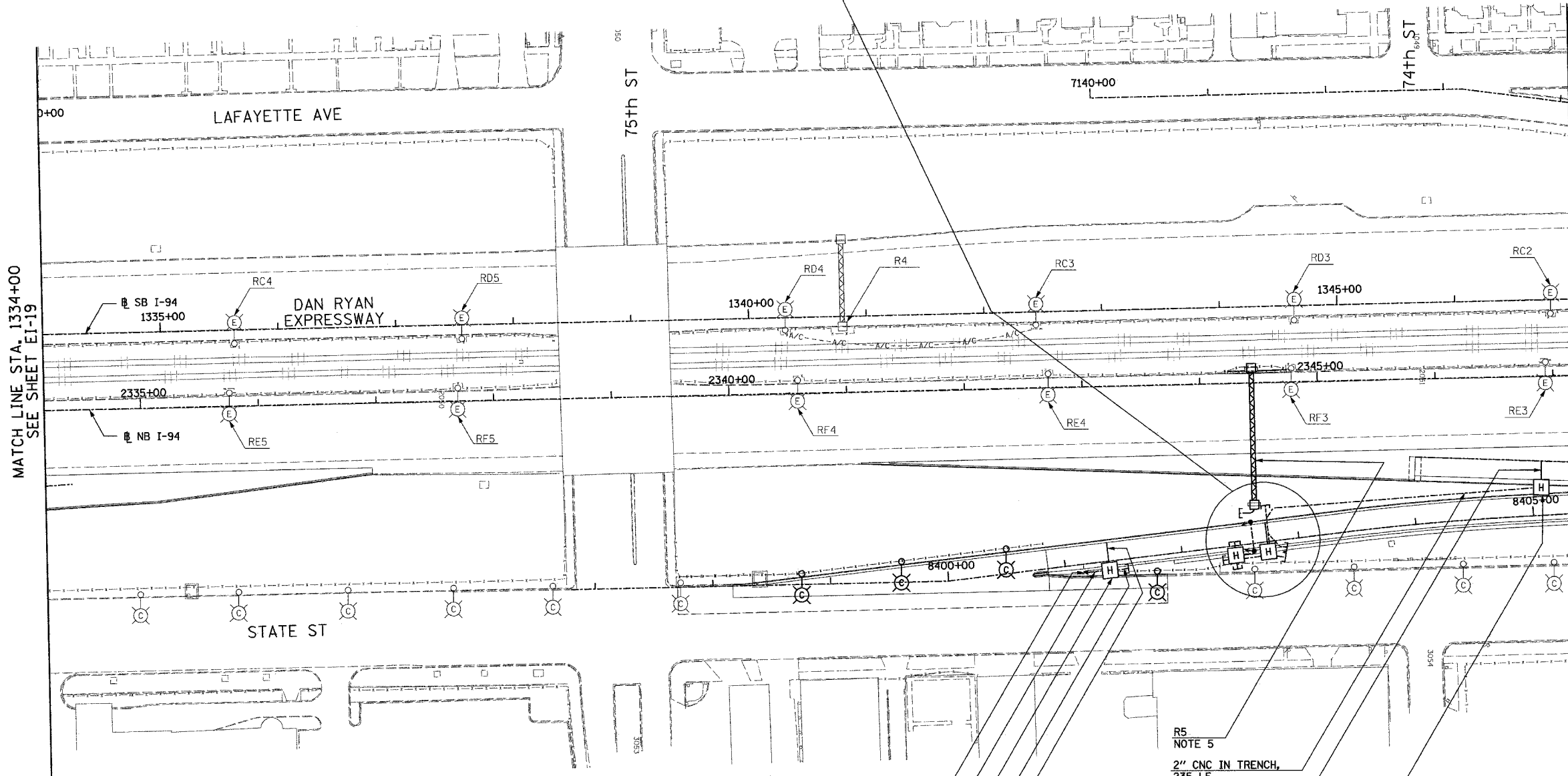
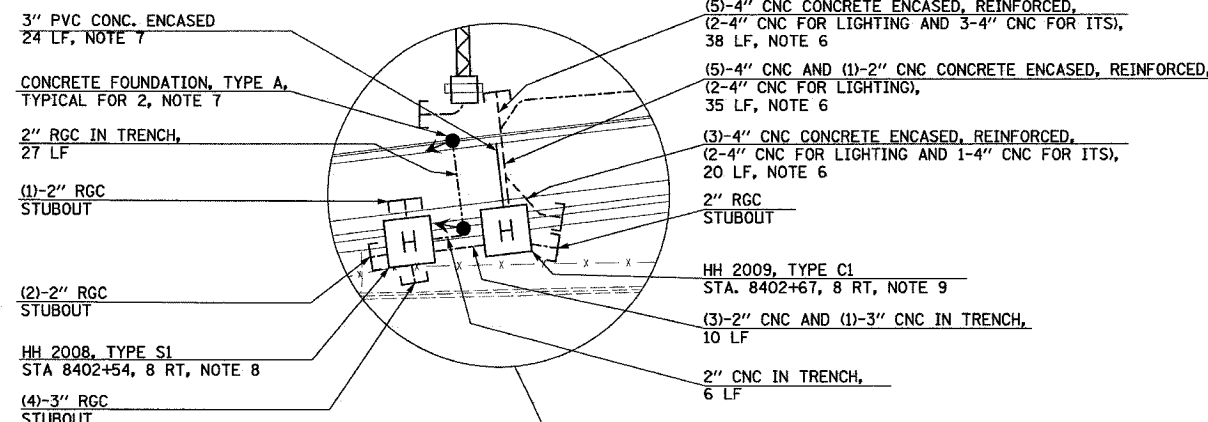
ILLINOIS DEPARTMENT OF TRANSPORTATION  
F.A.I. 90/94 (DAN RYAN EXPRESSWAY)

ELECTRICAL INFRASTRUCTURE PLANS  
PROPOSED IMPROVEMENTS

SCALE: 1"=50'  
DATE: MARCH 18, 2005

DRAWN BY: VK  
CHECKED BY: TM

REVISIONS		DATE
NO.	NAME	
1	REVISED	5/06/05



- 6" X 6" X 17' WOOD SIGN SUPPORT, SPECIAL, NOTE 4
- 2" CNC CONCRETE ENCASED, 22 LF
- HH 2007 TYPE S1 STA 8401+39, 13 RT, NOTE 8
- (2)-2" RGC STUBOUT
- 3" PVC CONC. ENCASED 24 LF, NOTE 7
- HH 2011, TYPE S1 STA. 8405+09, 24 LT, NOTE 8
- 3" PVC CONC. ENCASED 22 LF, NOTE 7
- 2" CNC IN TRENCH, 235 LF
- R5 NOTE 5

**SINGH**  
SINGH & ASSOCIATES, INC.  
CONSULTING ENGINEERS

300 W. ADAMS ST.  
CHICAGO, IL 60606  
TEL: (312) 629-0240  
FAX: (312) 629-8448

5/5/2005 5:04:26 PM