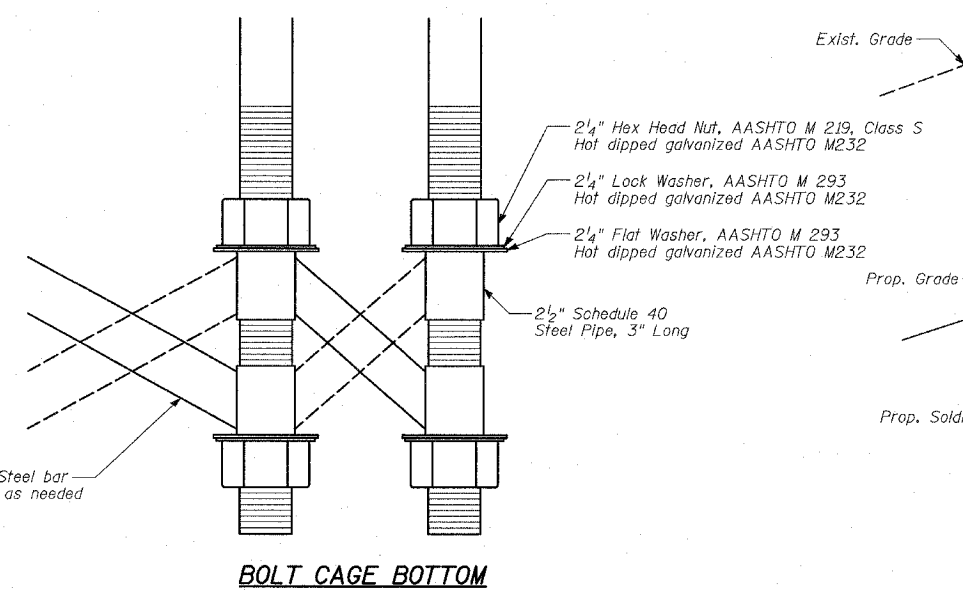
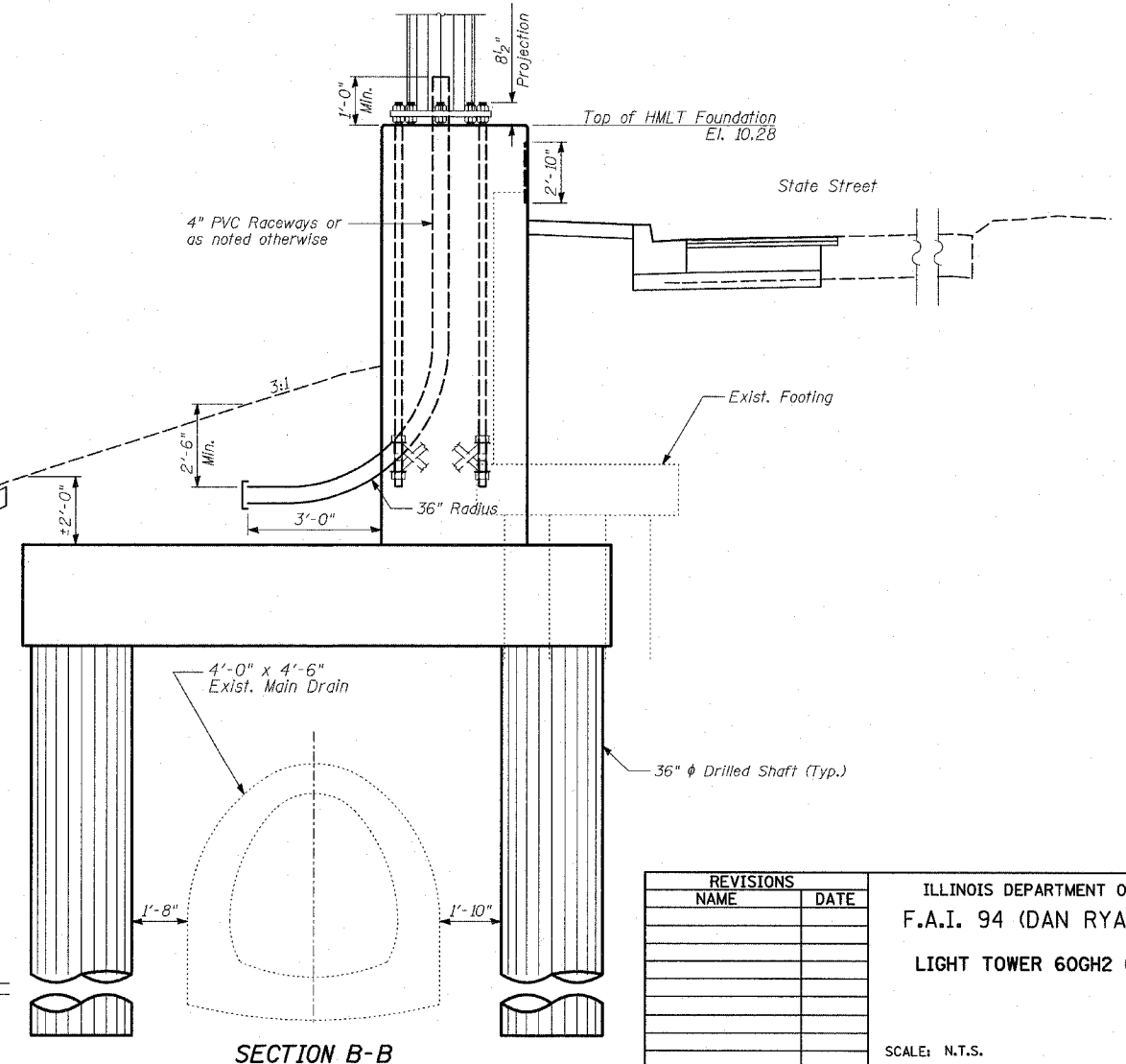
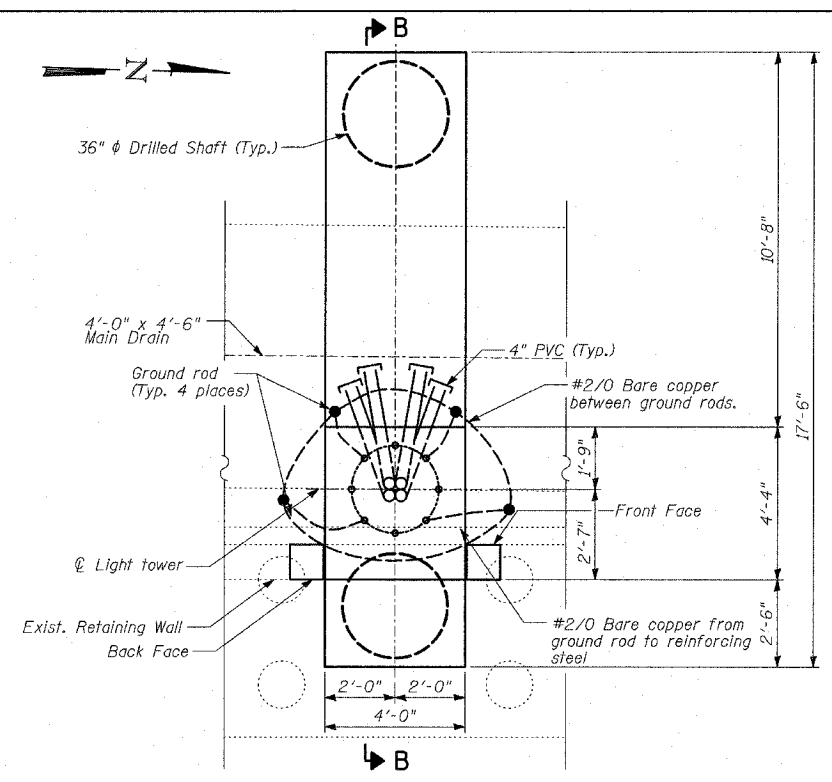
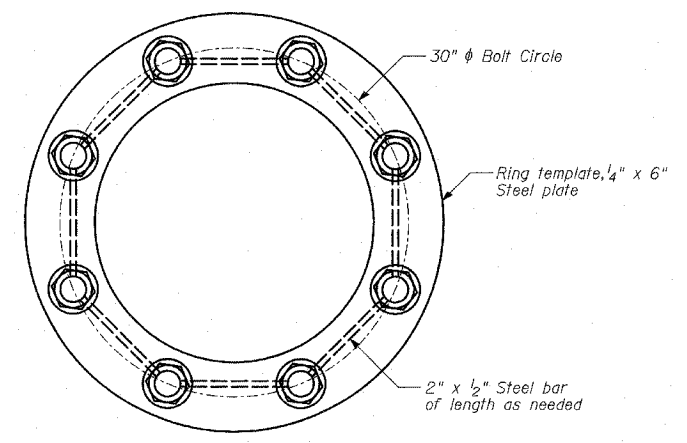
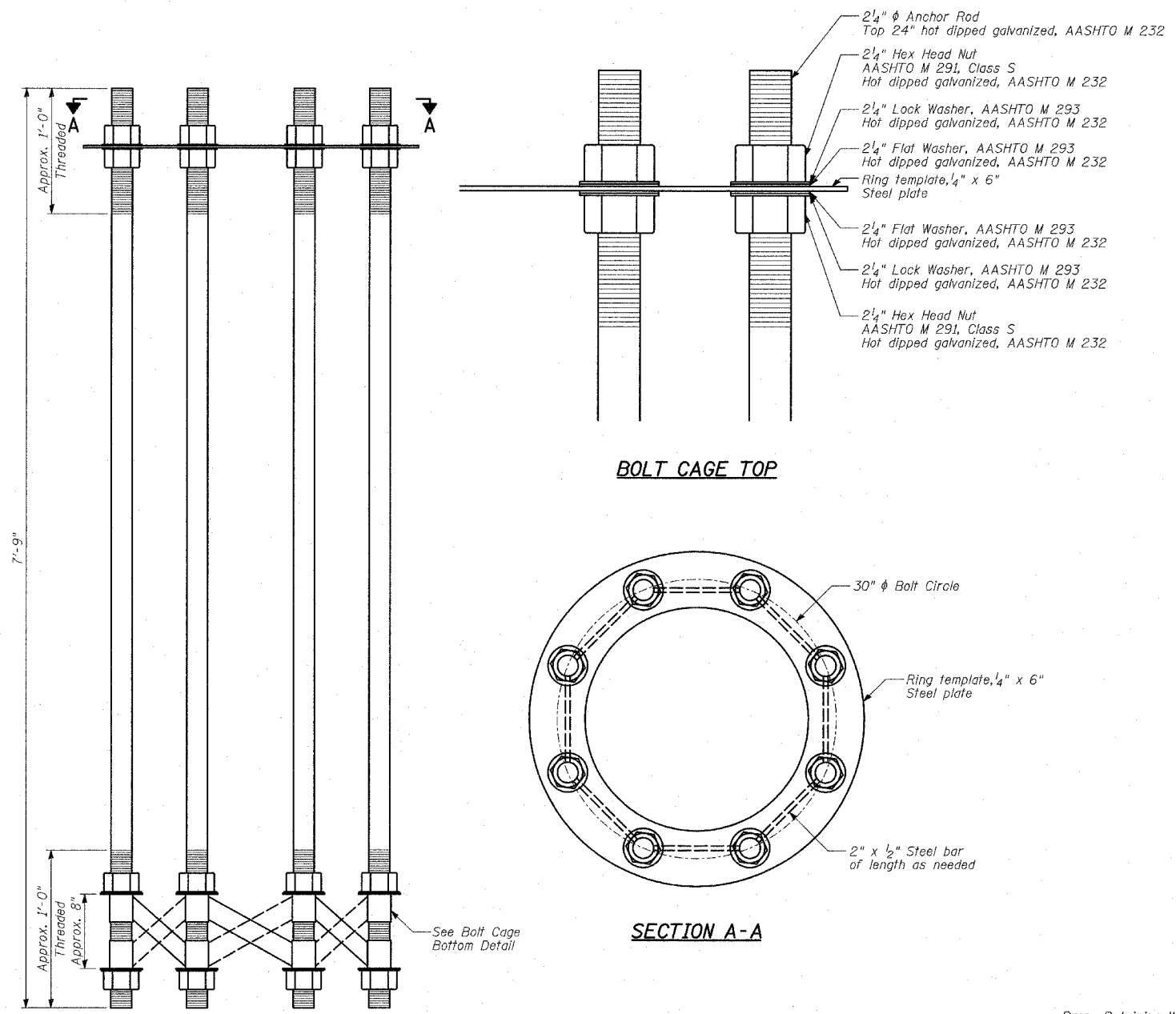


F.A.I. RTE.	SECTION	COUNTY	TOTAL SHEETS	SHEET NO.
94		COOK	860	411
STA. 2200+00.00		TO STA. 2362+00.00		
FED. ROAD DIST. NO.		ILLINOIS	FED. AID PROJECT	
(1516.1, 1717 & 1818) R-8		62694		

**NOTES:**

- Anchor rods shall be straight and shall be according to AASHTO M 314 or ASTM F1554, Grade 105 and galvanized according to Article 1006.09.
- Anchor rod information shall be submitted for approval and shall be fully coordinated with tower manufacturer's requirements.
- The Anchor Rods shall be vertical. No adjustment shall be allowed after the foundation is placed.
- The gap between the foundation and the base plate shall be enclosed with a stainless steel screen fastened with a stainless steel band.
- The Light Tower shall not be erected until after the concrete has been cured according to Article 1020.13.
- Two anchor rods opposite each other shall have the anchor rod threads peened after nuts are installed.
- For additional details see BE501.



TYLIN INTERNATIONAL

REVISIONS	
NAME	DATE

SHEET 4 OF 4

ILLINOIS DEPARTMENT OF TRANSPORTATION  
F.A.I. 94 (DAN RYAN EXPRESSWAY)  
LIGHT TOWER 60GH2 CONDUIT DETAILS

DESIGNED BY: TD, DJR  
DRAWN BY: DJR  
CHECKED BY: MI, TD

SCALE: N.T.S.  
DATE: MARCH 18, 2005