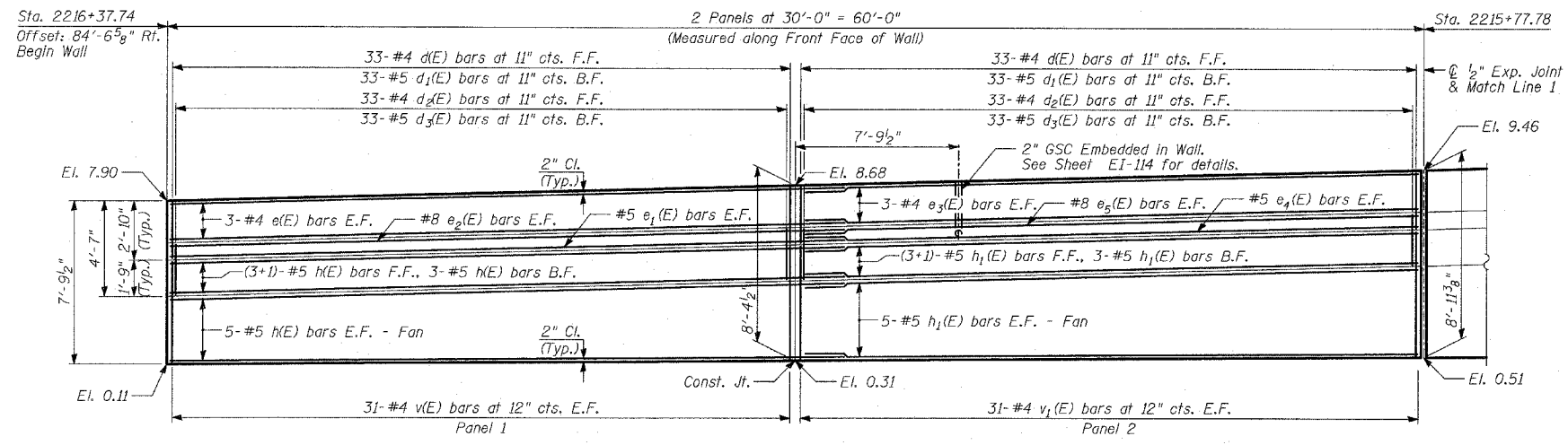
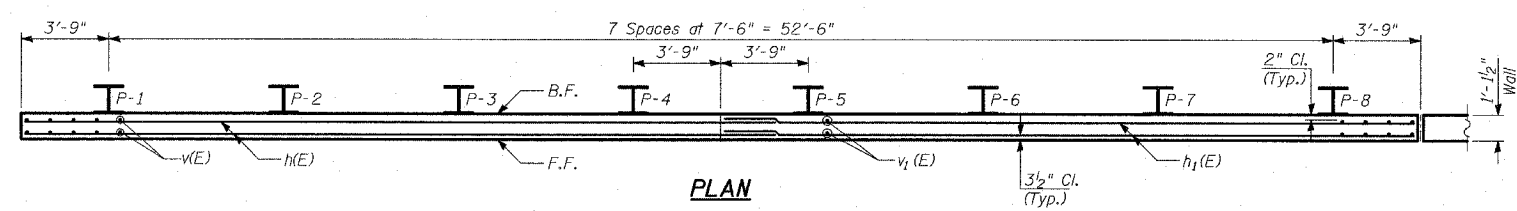


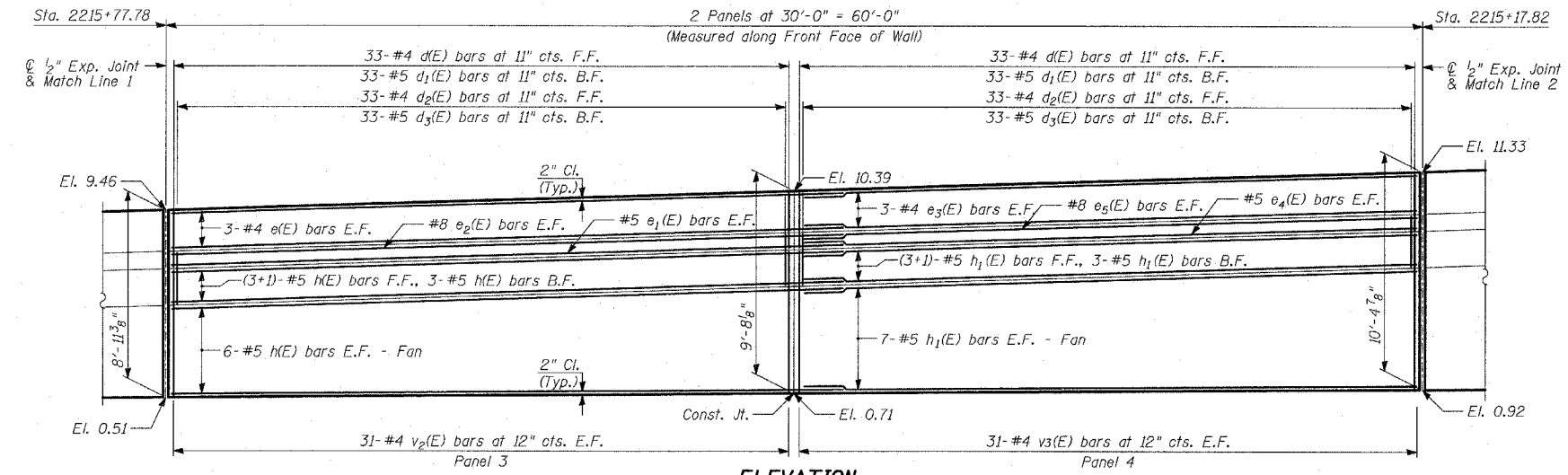
F.A.I. RTE.	SECTION	COUNTY	TOTAL SHEETS	SHEET NO.
94		COOK	860	414
STA. 2200+00.00 TO STA. 2362+00.00				
FED. ROAD DIST. NO.		ILLINOIS	FED. AID PROJECT	
		(1516.1, 1717 & 1818) R-8		62694



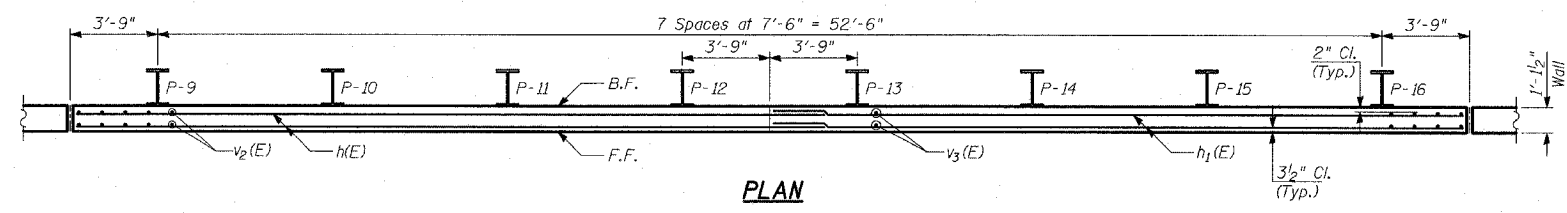
ELEVATION



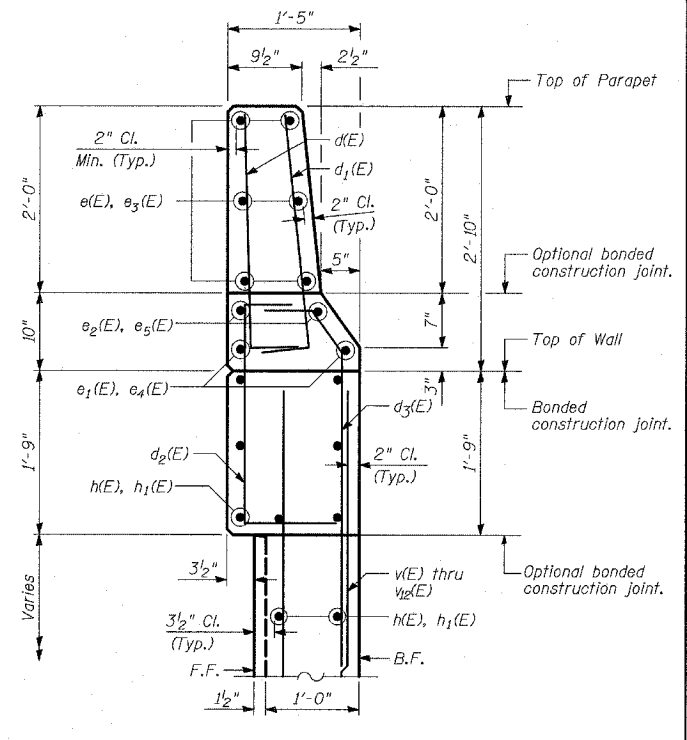
PLAN



ELEVATION



PLAN



TYPE F BARRIER DETAIL
(Sta. 2216+37.74 to Sta. 2215+47.99)

- NOTES:**
1. B.F. - denotes Back Face.
 2. E.F. - denotes Each Face.
 3. F.F. - denotes Front Face.
 4. Work this Sheet with Sheets 8 thru 11 of 20.
 5. Pile spacing measured along front face of wall.
 6. For Lap Splices, see Sheet 8 of 20.

REVISIONS		ILLINOIS DEPARTMENT OF TRANSPORTATION F.A.I. 94 (DAN RYAN EXPRESSWAY) RETAINING WALL ALONG STATE ST. ENTRANCE RAMP AT 95TH ST. WALL 1. - PLAN AND ELEVATION STA. 2216+37.74 TO STA. 2215+17.82 S.N. 016-W943 SCALE: N.T.S. DATE: MARCH 18, 2005	DESIGNED BY: MI, MAF DRAWN BY: MAF, TB CHECKED BY: TD, MI
NAME	DATE		