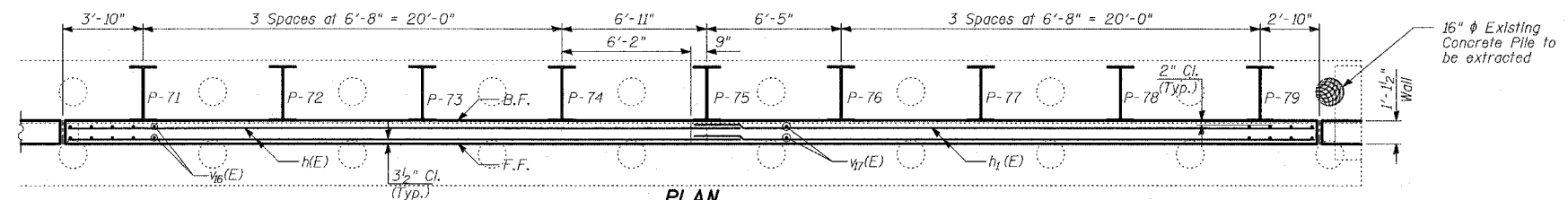
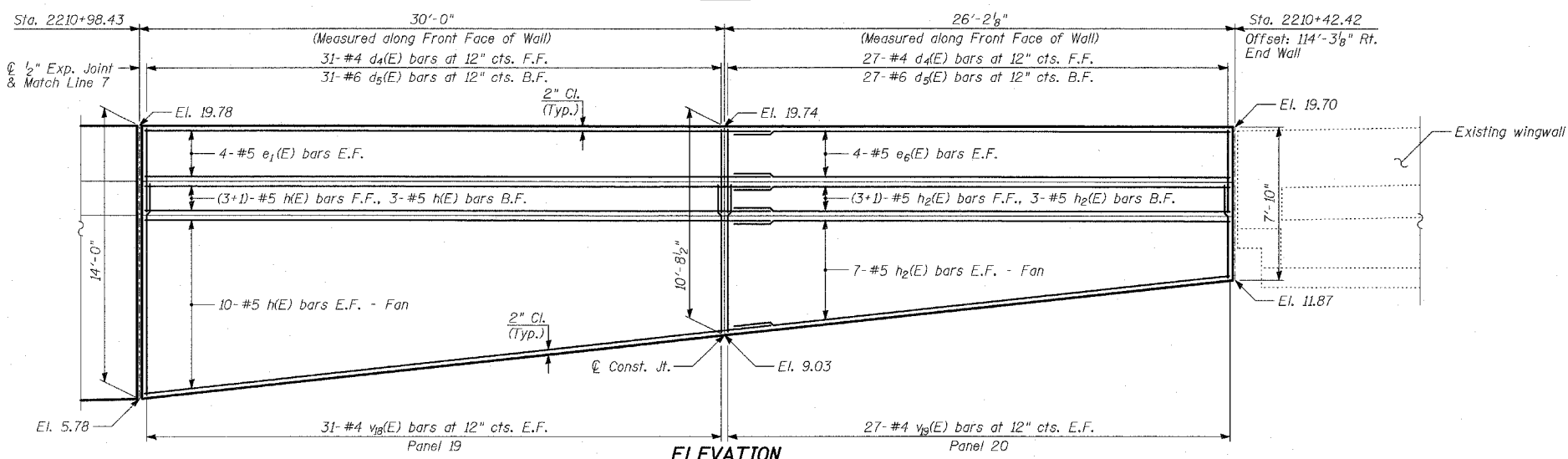


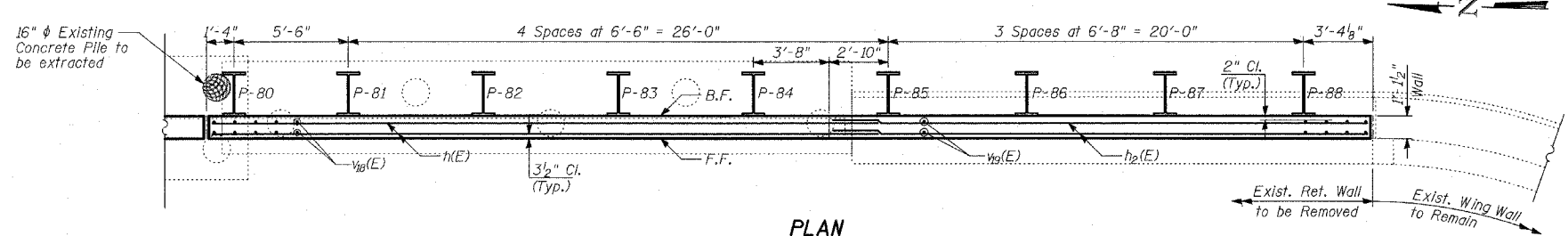
ELEVATION



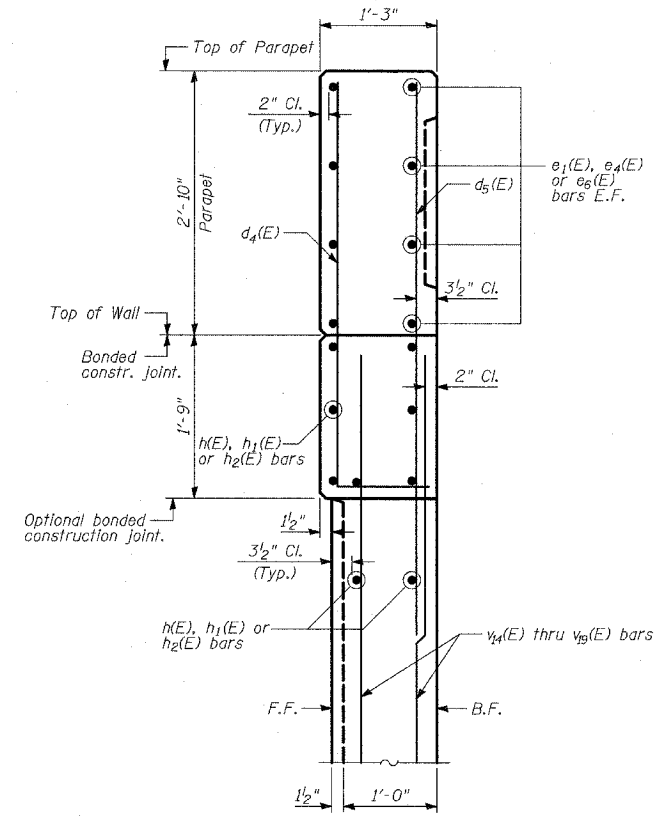
PLAN



ELEVATION



PLAN



FLUTED PARAPET DETAIL
(Sta. 2212+18.08 to Sta. Sta. 2210+42.42)

LEGEND

Existing Pile to be extracted

NOTES:

1. B.F. - denotes Back Face.
2. E.F. - denotes Each Face.
3. F.F. - denotes Front Face.
4. Work this Sheet with Sheets 8 thru 11 of 20.
5. Pile spacing measured along front face of wall.
6. Place new piles to miss existing piles.
7. Existing wall footing and pile layout is shown only for conflicting areas between existing and proposed piles.
8. For Lap Splices, see Sheet 8 of 20.

REVISIONS	
NAME	DATE

ILLINOIS DEPARTMENT OF TRANSPORTATION
F.A.I. 94 (DAN RYAN EXPRESSWAY)
RETAINING WALL ALONG STATE ST.
ENTRANCE RAMP AT 95TH ST.
WALL 1 - PLAN AND ELEVATION
STA. 2211+58.25 TO STA. 2210+42.42
 S.N. 016-W943 DESIGNED BY: MI, MAF
 SCALE: N.T.S. DRAWN BY: MAF, TB
 DATE: MARCH 18, 2005 CHECKED BY: TD, MI