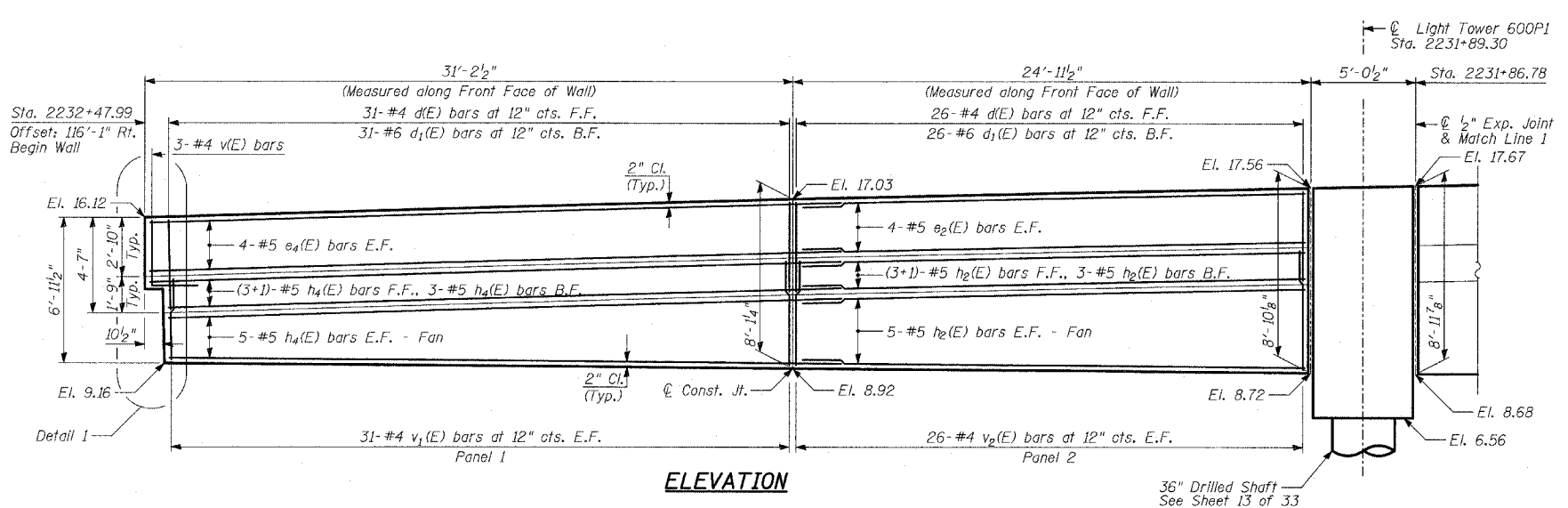
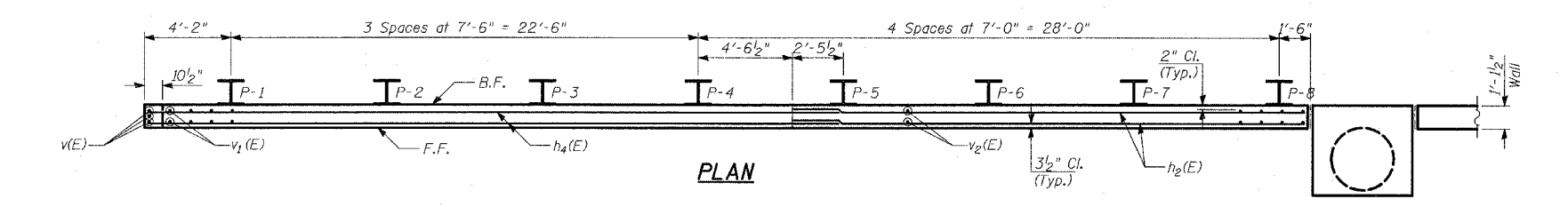


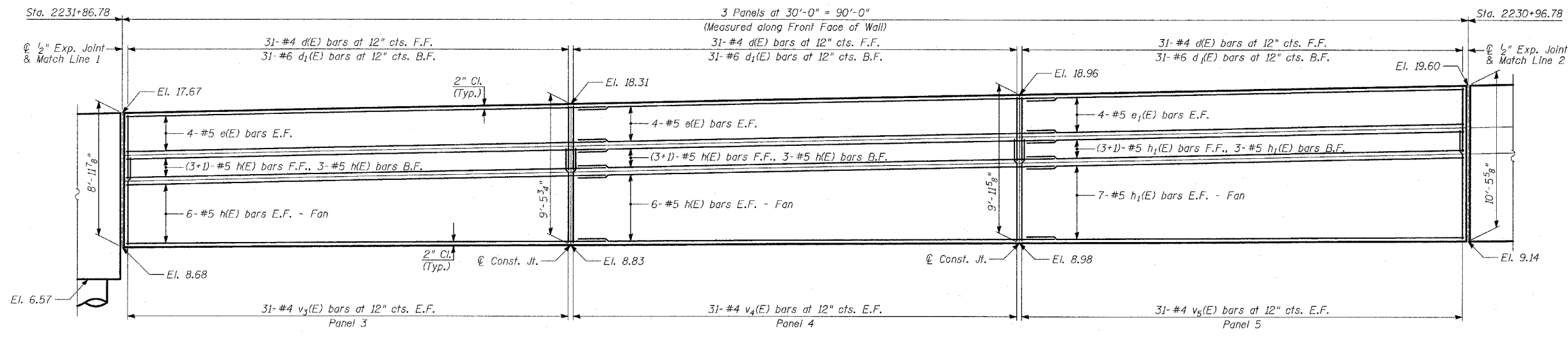
F.A.I. RTE.	SECTION	COUNTY	TOTAL SHEETS	SHEET NO.
94		COOK	860	452
STA. 2200+00.00 TO STA. 2362+00.00		ILLINOIS FED. AID PROJECT		
FED. ROAD DIST. NO.		• (1516, 1, 1717 & 1818) R-8		
				62694



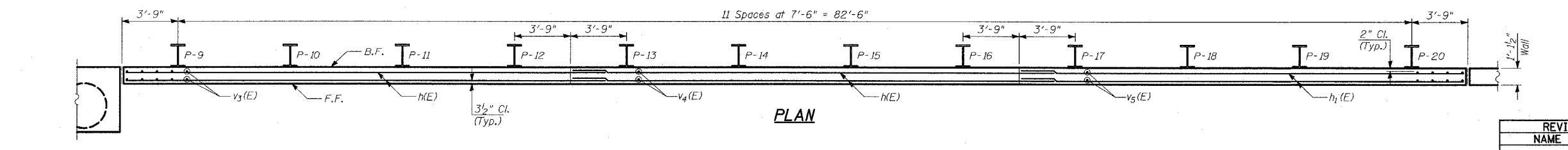
ELEVATION



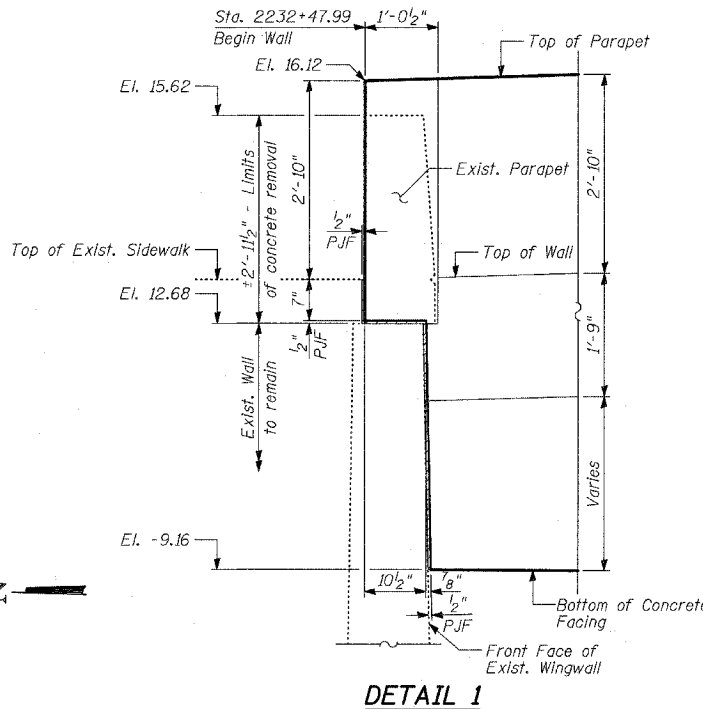
PLAN



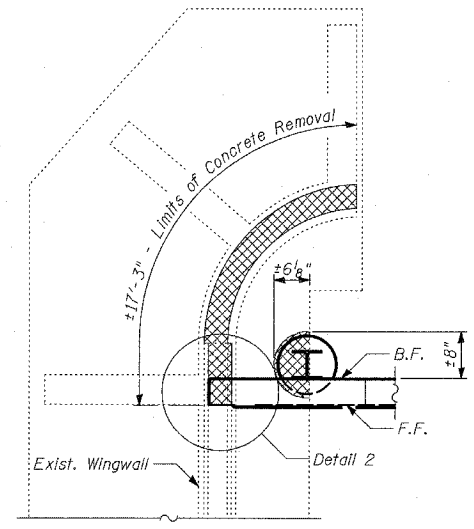
ELEVATION



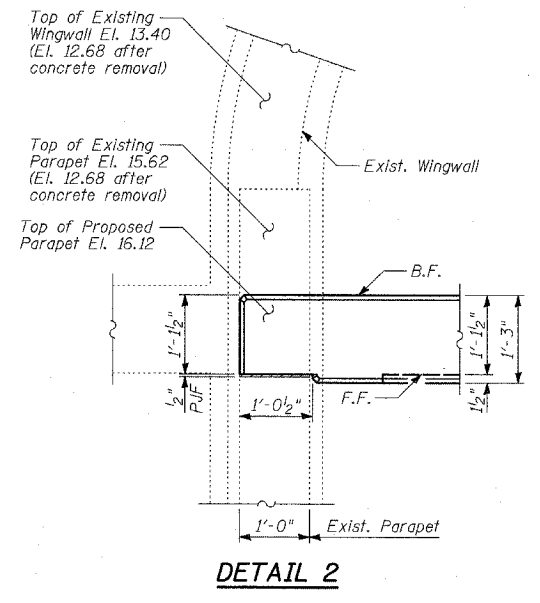
PLAN



DETAIL 1



REMOVAL PLAN



DETAIL 2

BILL OF MATERIAL

ITEM	UNIT	TOTAL
Concrete Removal	CU YD	2

REVISIONS	
NAME	DATE

ILLINOIS DEPARTMENT OF TRANSPORTATION
 F.A.I. 94 (DAN RYAN EXPRESSWAY)
 RETAINING WALL ALONG STATE ST.
 93RD ST. TO 91ST ST.
 WALL 2B - PLAN AND ELEVATION
 STA. 2232+47.99 TO STA. 2230+96.78
 S.N. 016-W961 DESIGNED BY: MI, DJR
 SCALE: N.T.S. DRAWN BY: DJR, MAF
 DATE: MARCH 18, 2005 CHECKED BY: TD, MI

NOTES:

1. B.F. - denotes Back Face.
2. E.F. - denotes Each Face.
3. F.F. - denotes Front Face.
4. Work this Sheet with Sheets 11 thru 24 of 33.
5. Pile spacing measured along front face of wall.
6. For Lap Splices, see Sheet 12 of 33.

TYLIN INTERNATIONAL

LEGEND

