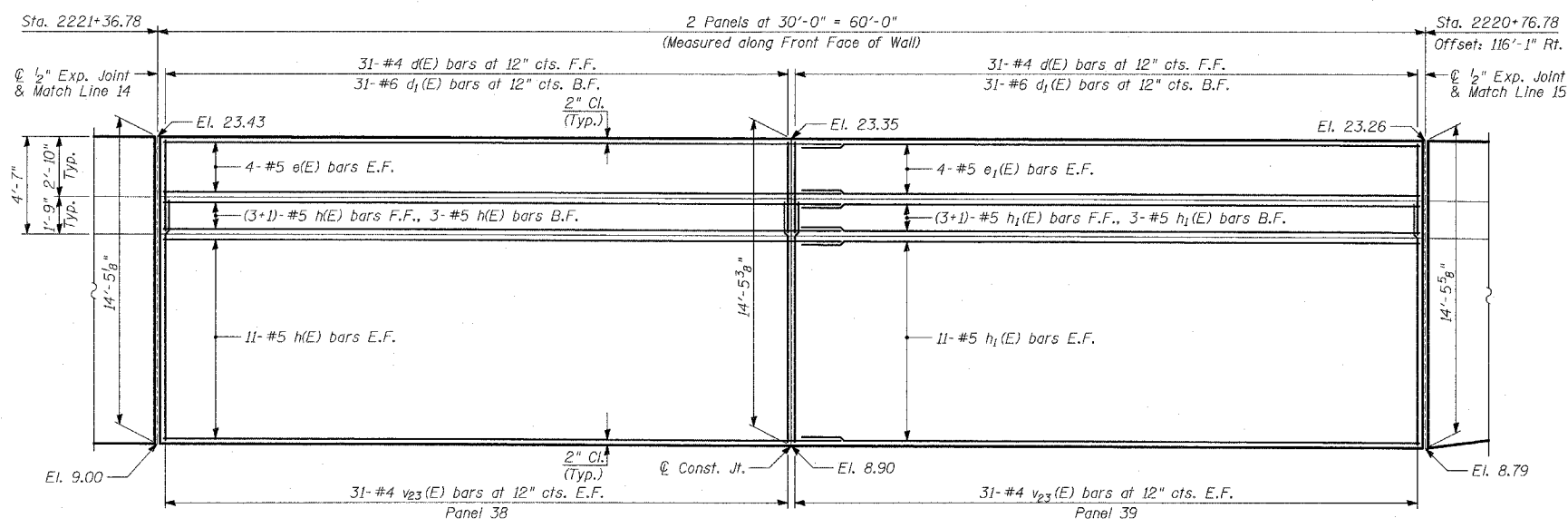
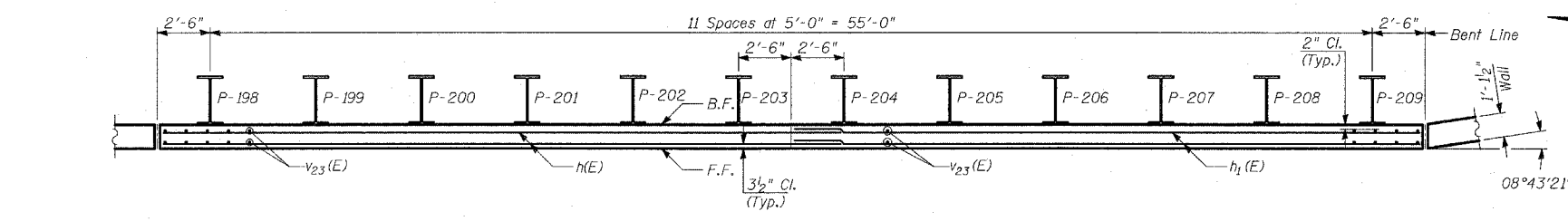


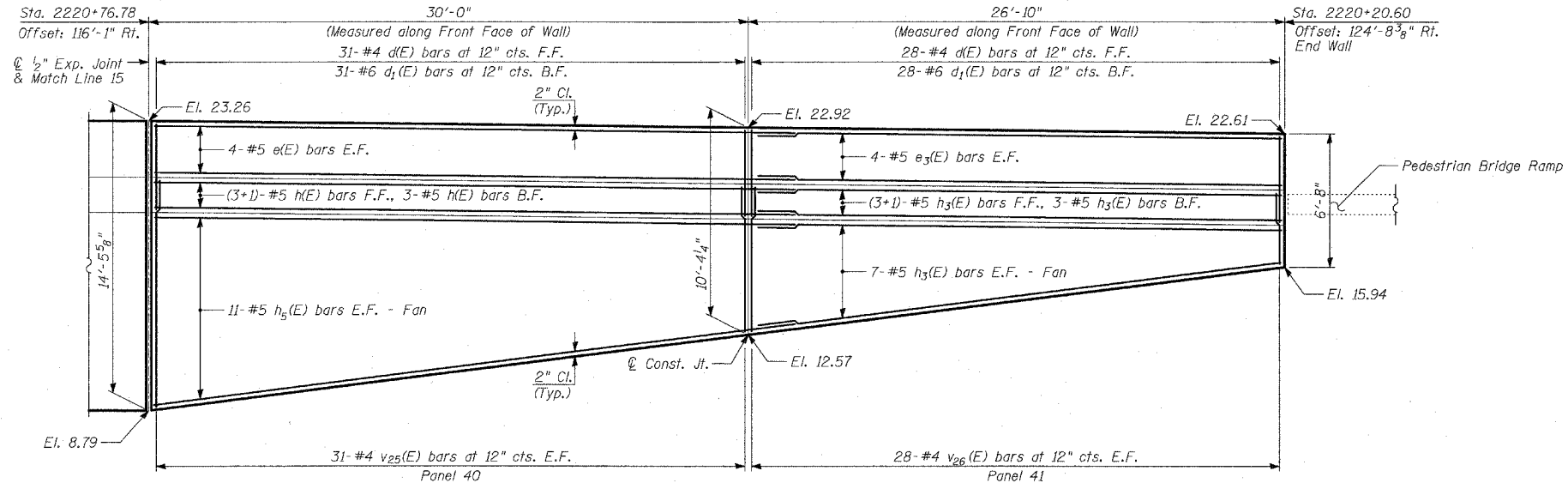
F.A.I. RTE.	SECTION	COUNTY	TOTAL SHEETS	SHEET NO.
94	*	COOK	860	459
STA. 2200+00.00		TO STA. 2362+00.00		
FED. ROAD DIST. NO.		ILLINOIS FED. AID PROJECT		
(1516.1, 1717 & 1818) R-8		62694		



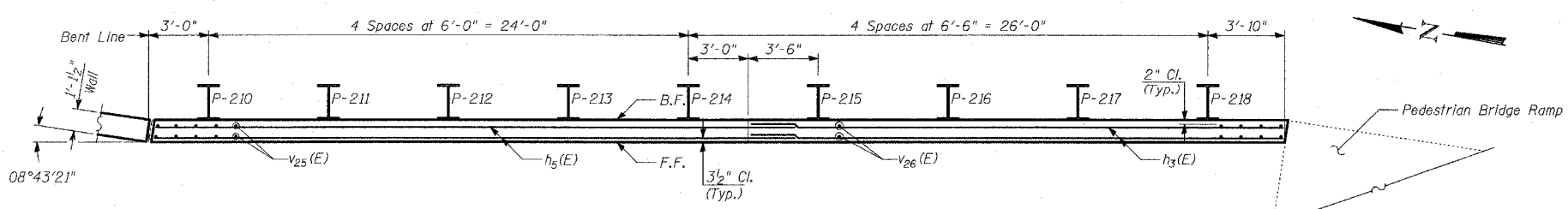
ELEVATION



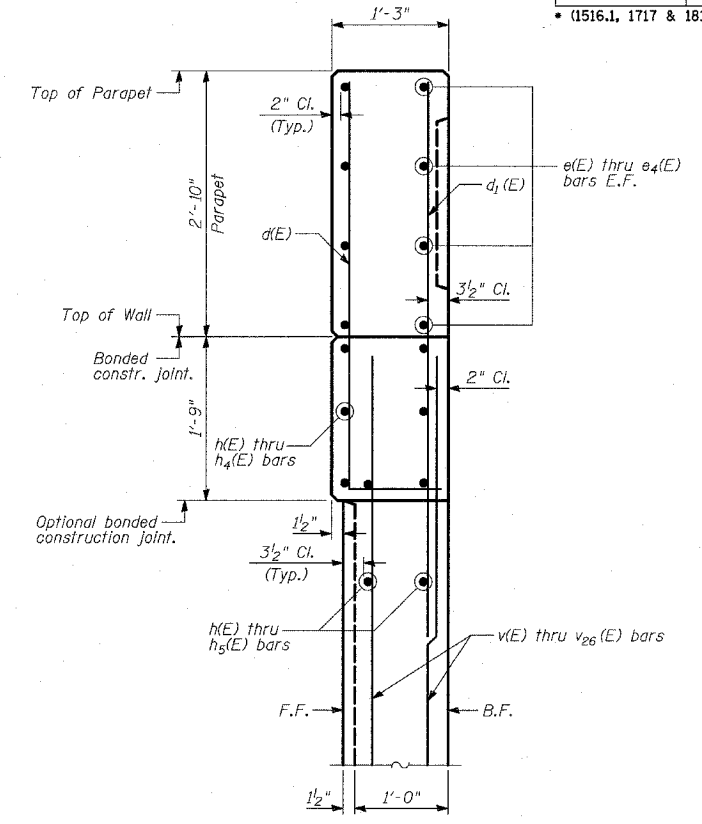
PLAN



ELEVATION



PLAN



FLUTED PARAPET DETAIL
(Sta. 2232+47.99 to Sta. 2220+20.60)

- NOTES:**
1. B.F. - denotes Back Face.
 2. E.F. - denotes Each Face.
 3. F.F. - denotes Front Face.
 4. Work this Sheet with Sheets 11, 12 & 17 thru 20 of 33.
 5. File spacing measured along front face of wall.
 6. For Lap Splices, see Sheet 12 of 33.

REVISIONS	
NAME	DATE

ILLINOIS DEPARTMENT OF TRANSPORTATION
F.A.I. 94 (DAN RYAN EXPRESSWAY)
RETAINING WALL ALONG STATE ST.
93RD ST. TO 91ST ST.
WALL 2B - PLAN AND ELEVATION
STA. 2221+36.78 TO STA. 2220+20.60
 S.N. 016-W961 DESIGNED BY: MI, DJR
 SCALE: N.T.S. DRAWN BY: DJR, MAF
 DATE: MARCH 18, 2005 CHECKED BY: TD, MI