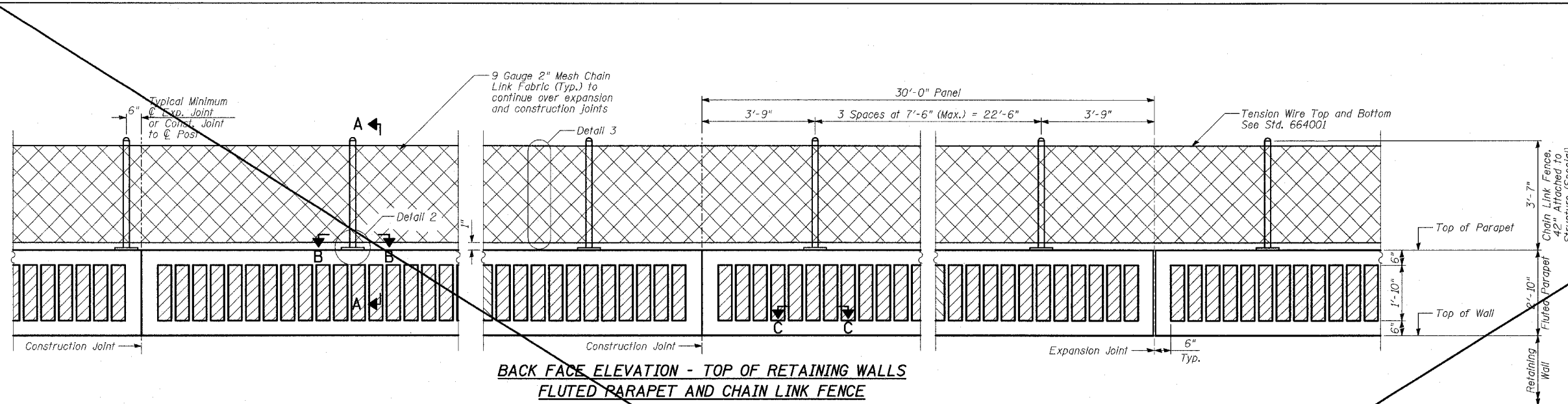
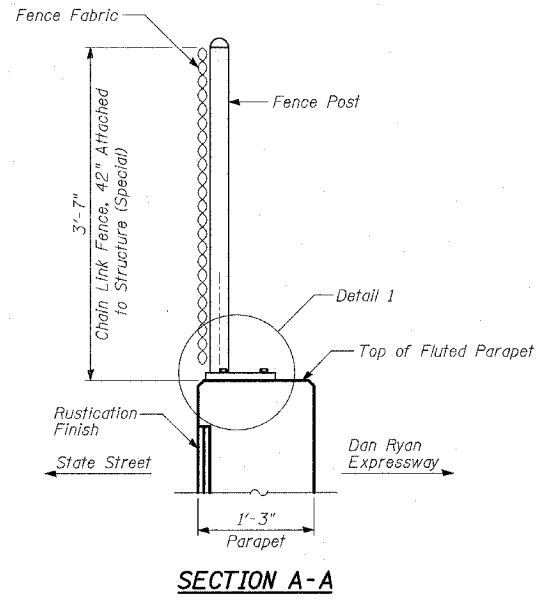


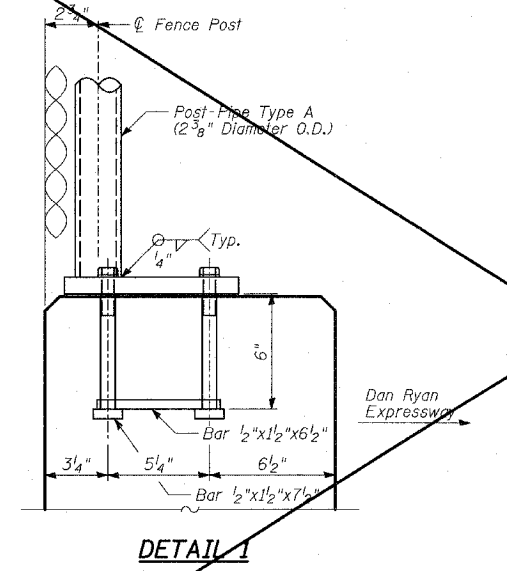
F.A.I. RTE.	SECTION	COUNTY	TOTAL SHEETS	SHEET NO.
94		COOK	860	469
STA. 2200+00.00 TO STA. 2362+00.00				
FED. ROAD DIST. NO.		ILLINOIS FED. AID PROJECT		
0516.1, 11117 & 1888B/R/R/38		62694		



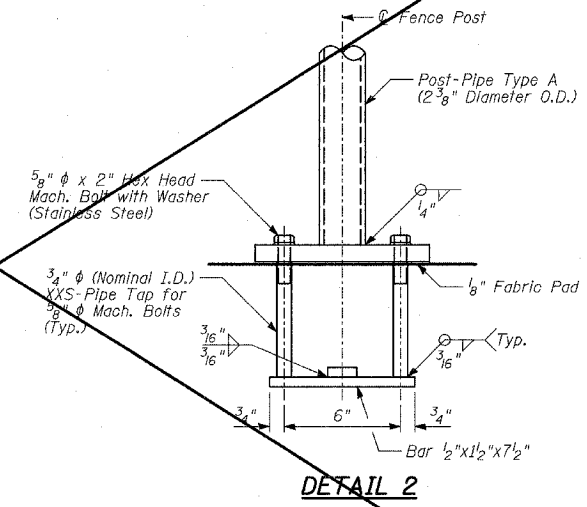
**BACK FACE ELEVATION - TOP OF RETAINING WALLS  
FLUTED PARAPET AND CHAIN LINK FENCE**



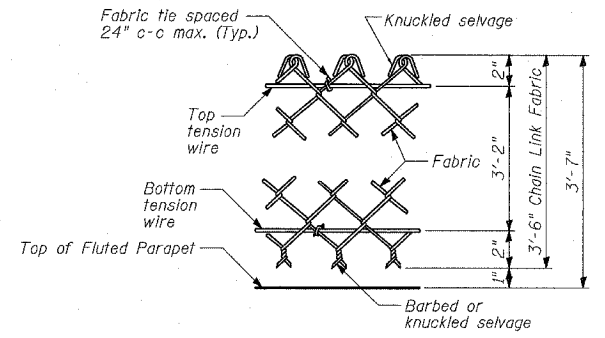
**SECTION A-A**



**DETAIL 1**



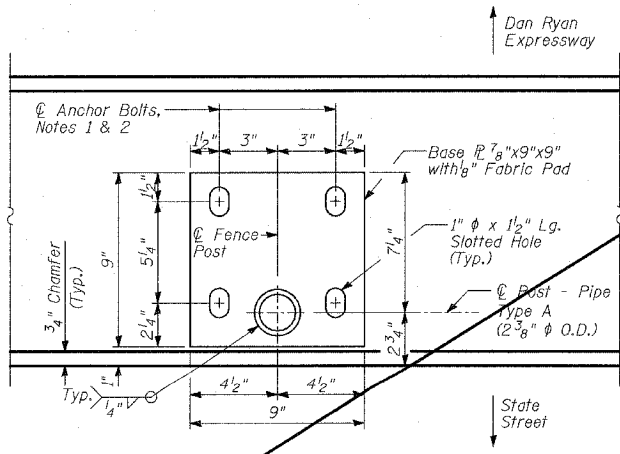
**DETAIL 2**



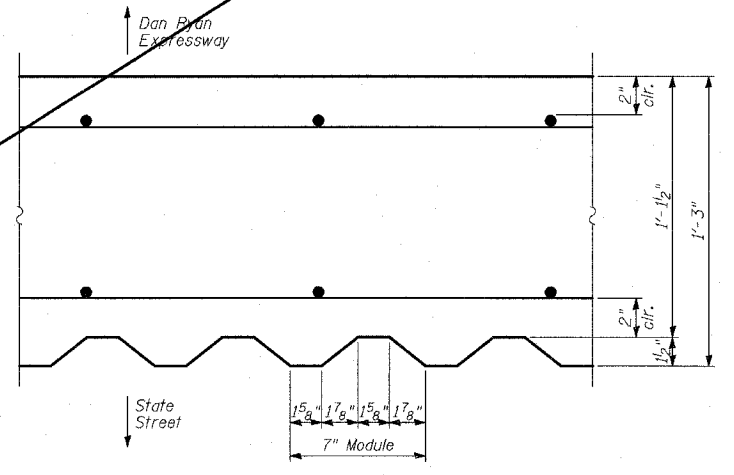
**DETAIL 3**

**BILL OF MATERIAL**

ITEM	UNIT	TOTAL
Chain Link Fence, 42" Attached to Structure (Special)	FOOT	1,184



**SECTION B-B  
BASE PLATE PLAN**



**SECTION C-C**

**NOTES:**

- In lieu of the cast-in-place anchor bolt assembly shown, the Contractor has the option of drilling and epoxy grouting 5/8" diameter anchor rods with 1/4" diameter washers. The Contractor shall use the capsule or the adhesive cartridge type anchor rods that have been previously tested and given prior approval by the Department. The Contractor shall install these anchor rods in pre-drilled holes according to the manufacturer's recommendations and procedures. The capsule or adhesive cartridge shall be sealed with pre-measured amounts of adhesive chemical. Anchor rod threading to be peened after nuts are installed.
- For additional chain link details, see Standard 664001.

REVISIONS	
NAME	DATE
REVISED	04/15/05

ILLINOIS DEPARTMENT OF TRANSPORTATION  
**F.A.I. 94 (DAN RYAN EXPRESSWAY)**  
**RETAINING WALL ALONG STATE ST.**  
**93RD ST. TO 91ST ST.**  
**WALL 2B - CHAIN LINK FENCE, 42" ATTACHED TO STRUCTURE (SPECIAL)**  
 S.N. 016-W961 DESIGNED BY: MI, DJR  
 SCALE: N.T.S. DRAWN BY: DJR, MAF  
 DATE: MARCH 18, 2005 CHECKED BY: TD, MI

**TYLIN INTERNATIONAL**