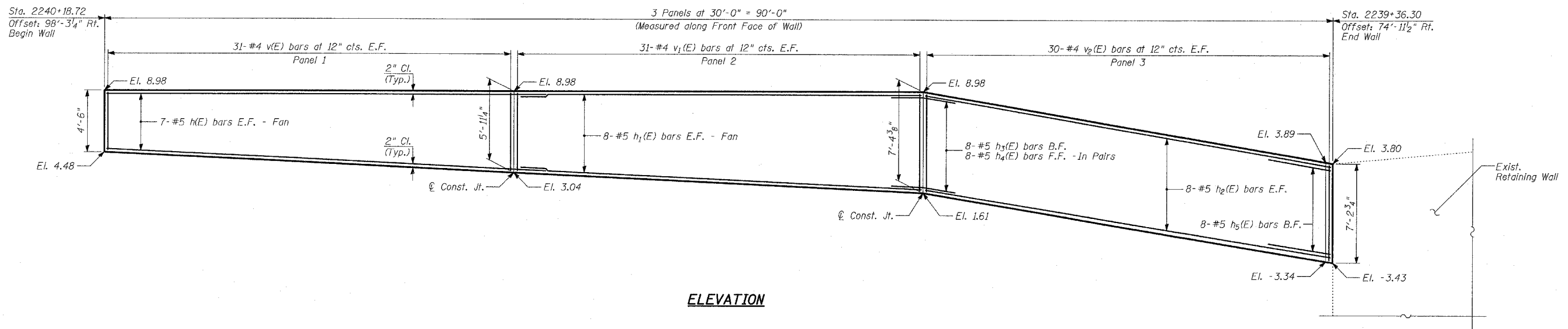
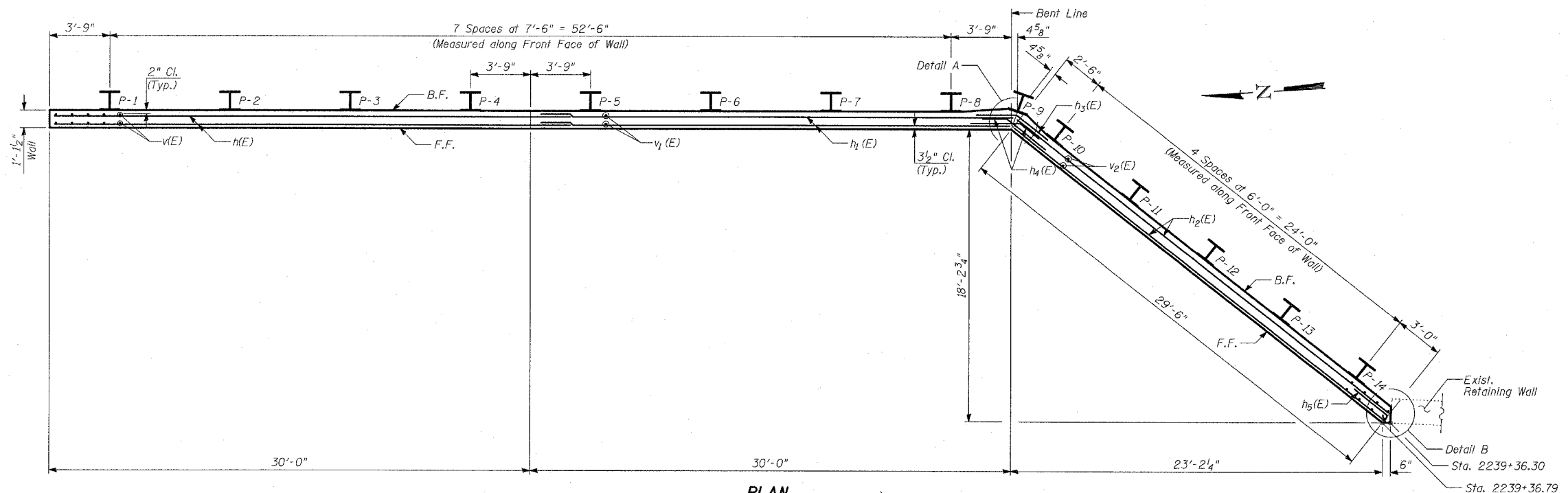


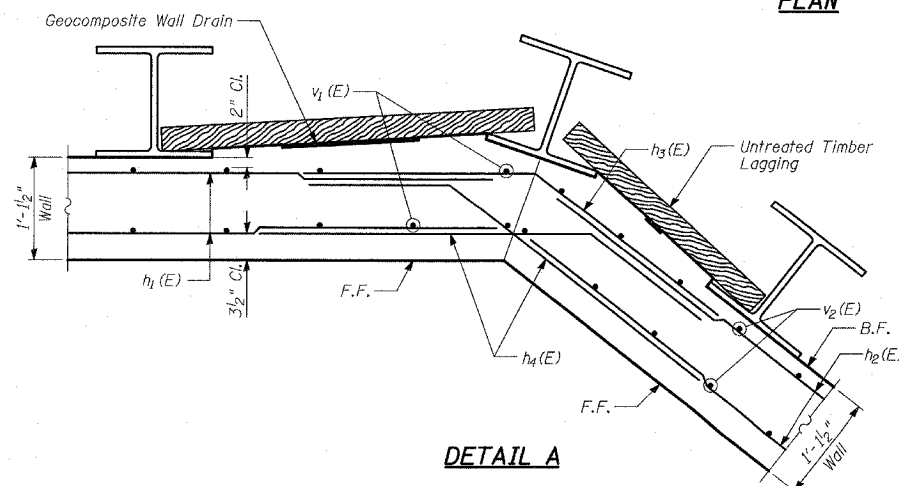
F.A.I. RTE.	SECTION	COUNTY	TOTAL SHEETS	SHEET NO.
94		COOK	860	492
STA. 2200+00.00 TO STA. 2362+00.00				
FED. ROAD DIST. NO.		ILLINOIS	FED. AID PROJECT	
(1516.1, 1717 & 1818) R-8		62694		



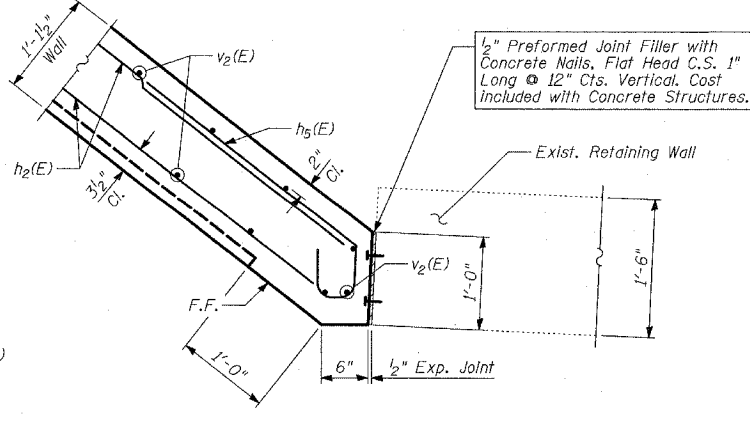
ELEVATION



PLAN



DETAIL A



DETAIL B

- NOTES:**
1. B.F. - denotes Back Face.
 2. E.F. - denotes Each Face.
 3. F.F. - denotes Front Face.
 4. Work this sheet with Sheets 3 thru 6 of 7.
 5. For Lap Splices, see Sheet 3 of 7.

SHEET 2 OF 7

REVISIONS	
NAME	DATE

ILLINOIS DEPARTMENT OF TRANSPORTATION
F.A.I. 94 (DAN RYAN EXPRESSWAY)
RETAINING WALL ALONG STATE ST.
AT BELT RY.
WALL 4 - PLAN AND ELEVATION
STA. 2240+18.72 TO STA. 2239+36.30
 S.N. 016-W953 DESIGNED BY: MI, DJR
 SCALE: N.T.S. DRAWN BY: DJR, TB
 DATE: MARCH 18, 2005 CHECKED BY: TD, MI

TYLIN INTERNATIONAL