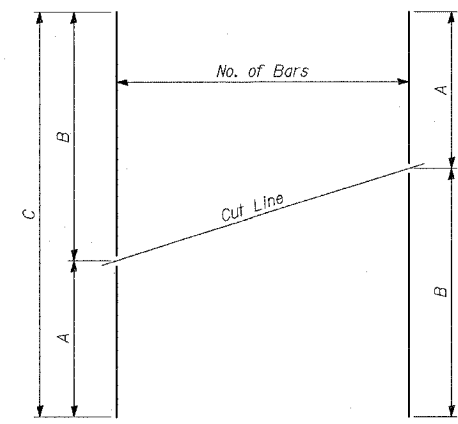
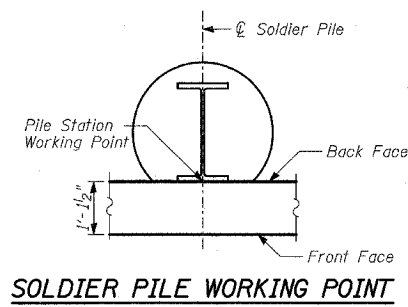


PILE LAYOUT

Pile	Station at Working Point	Top of Parapet El.	Top of Pile El.	Bot. of Wall El.	Section	Pile Tip El.	Pile Length
P-1	2248+99.50	11.40	7.23	4.17	HP14x117	-18.85	26'-1"
P-2	2248+92.00	11.40	7.24	4.17		-18.85	26'-1"
P-3	2248+84.50	11.41	7.25	4.18		-18.84	26'-1"
P-4	2248+77.00	11.42	7.25	4.19		-18.83	26'-1"
P-5	2248+69.50	11.43	7.26	4.20		-18.82	26'-1"
P-6	2248+62.00	11.44	7.27	4.21		-18.81	26'-1"
P-7	2248+54.50	11.45	7.28	4.22		-18.80	26'-1"
P-8	2248+47.00	11.46	7.29	4.23		-18.79	26'-1"
P-9	2248+39.50	11.46	7.30	4.23		-18.79	26'-1"
P-10	2248+32.00	11.47	7.31	4.24		-18.78	26'-1"
P-11	2248+24.50	11.48	7.32	4.25		-18.77	26'-1"
P-12	2248+17.00	11.49	7.32	4.26		-18.76	26'-1"
P-13	2248+09.50	11.50	7.33	4.27		-18.75	26'-1"
P-14	2248+02.00	11.51	7.34	4.28		-18.74	26'-1"
P-15	2247+94.50	11.52	7.35	4.29		-18.73	26'-1"
P-16	2247+87.00	11.53	7.36	4.30		-18.73	26'-1"
P-17	2247+79.50	11.53	7.37	4.30		-18.72	26'-1"
P-18	2247+72.00	11.54	7.38	4.31		-18.71	26'-1"
P-19	2247+64.50	11.55	7.38	4.32		-18.70	26'-1"
P-20	2247+57.00	11.56	7.39	4.33		-18.69	26'-1"
P-21	2247+49.50	11.57	7.40	4.34		-18.68	26'-1"
P-22	2247+42.00	11.58	7.41	4.35		-18.67	26'-1"
P-23	2247+34.50	11.59	7.42	4.36		-18.66	26'-1"
P-24	2247+27.00	11.59	7.43	4.36	HP14x117	-18.66	26'-1"
P-25	2247+19.75	11.60	7.44	4.20	W18x130	-19.81	27'-3"
P-26	2247+12.00	11.61	7.44	3.82		-20.22	27'-8"
P-27	2247+04.25	11.62	7.45	3.44		-20.63	28'-1"
P-28	2246+96.50	11.63	7.46	3.07		-20.95	28'-5"
P-29	2246+88.75	11.64	7.47	2.69		-21.36	28'-10"
P-30	2246+81.00	11.65	7.48	2.31		-21.77	29'-3"
P-31	2246+73.25	11.66	7.49	1.93		-22.09	29'-7"
P-32	2246+65.50	11.67	7.50	1.56		-22.50	30'-0"
P-33	2246+57.75	11.67	7.51	1.18		-22.83	30'-4"
P-34	2246+50.00	11.68	7.52	0.80		-23.23	30'-9"
P-35	2246+42.25	11.69	7.53	0.42		-23.64	31'-2"
P-36	2246+29.50	11.71	7.54	-0.11	W18x130	-24.13	31'-8"
P-37	2246+21.00	11.72	7.55	-0.11	W21x132	-26.12	33'-8"
P-38	2246+11.75	11.73	7.56	-0.12	W21x132	-26.19	33'-9"
P-39	2246+05.25	11.73	7.57	-0.12	W18x130	-24.18	31'-9"
P-40	2245+97.75	11.74	7.58	-0.12		-24.17	31'-9"
P-41	2245+90.25	11.75	7.59	-0.13		-24.16	31'-9"
P-42	2245+82.75	11.76	7.59	-0.13		-24.16	31'-9"
P-43	2245+75.25	11.77	7.60	-0.13		-24.15	31'-9"
P-44	2245+67.75	11.78	7.61	-0.14		-24.14	31'-9"
P-45	2245+60.25	11.79	7.62	-0.14		-24.21	31'-10"
P-46	2245+52.75	11.80	7.63	-0.14		-24.20	31'-10"
P-47	2245+45.25	11.80	7.64	-0.15		-24.20	31'-10"
P-48	2245+39.50	11.80	7.64	-0.15		-24.20	31'-10"
P-49	2245+32.00	11.80	7.63	-0.15		-24.20	31'-10"
P-50	2245+24.50	11.80	7.63	-0.16		-24.20	31'-10"
P-51	2245+17.00	11.79	7.63	-0.16		-24.21	31'-10"
P-52	2245+09.50	11.79	7.62	-0.16		-24.21	31'-10"
P-53	2245+02.00	11.79	7.62	-0.17		-24.21	31'-10"
P-54	2244+94.50	11.78	7.62	-0.17		-24.22	31'-10"
P-55	2244+87.00	11.78	7.61	-0.17		-24.22	31'-10"
P-56	2244+79.50	11.78	7.61	-0.18		-24.22	31'-10"
P-57	2244+72.00	11.77	7.61	-0.18		-24.23	31'-10"
P-58	2244+64.50	11.77	7.60	-0.18		-24.23	31'-10"
P-59	2244+57.00	11.77	7.60	-0.19	W18x130	-24.23	31'-10"
P-60	2244+50.25	11.76	7.60	-0.19	W18x106	-22.24	29'-10"
P-61	2244+44.25	11.76	7.59	-0.19		-22.24	29'-10"
P-62	2244+38.25	11.76	7.59	-0.20		-22.24	29'-10"
P-63	2244+32.25	11.75	7.59	-0.20		-22.25	29'-10"
P-64	2244+26.25	11.75	7.59	-0.20		-22.25	29'-10"
P-65	2244+20.25	11.75	7.58	-0.20	W18x106	-22.25	29'-10"

PILE LAYOUT

Pile	Station at Working Point	Top of Parapet El.	Top of Pile El.	Bot. of Wall El.	Section	Pile Tip El.	Pile Length
P-66	2244+14.25	11.75	7.58	-0.21	W18x106	-22.25	29'-10"
P-67	2244+08.25	11.74	7.58	-0.21		-22.26	29'-10"
P-68	2244+02.25	11.74	7.57	-0.21		-22.26	29'-10"
P-69	2243+96.25	11.74	7.57	-0.22		-22.26	29'-10"
P-70	2243+90.25	11.74	7.57	-0.22		-22.26	29'-10"
P-71	2243+84.25	11.73	7.57	-0.22		-22.27	29'-10"
P-72	2243+78.25	11.73	7.56	-0.22		-22.27	29'-10"
P-73	2243+72.25	11.73	7.56	-0.23		-22.27	29'-10"
P-74	2243+66.25	11.72	7.56	-0.23	W18x106	-22.28	29'-10"
P-75	2243+59.50	11.72	7.55	-0.04	W18x130	-26.11	33'-8"
P-76	2243+52.00	11.72	7.55	0.34		-25.70	33'-3"
P-77	2243+44.50	11.71	7.55	0.72		-25.29	32'-10"
P-78	2243+37.00	11.71	7.54	1.10		-24.96	32'-6"
P-79	2243+29.50	11.71	7.54	1.47		-24.54	32'-1"
P-80	2243+22.00	11.70	7.54	1.85		-24.21	31'-9"
P-81	2243+14.50	11.70	7.53	2.23		-23.80	31'-4"
P-82	2243+07.00	11.70	7.53	2.61	W18x130	-23.47	31'-0"



See table for dimensions.
Make all cuts normal to bar axis

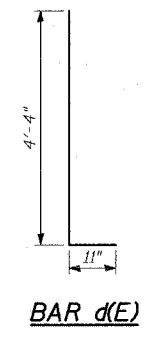
BAR TABLE SCHEDULE

Bar	No. of Sets Req'd	No. of Bars Per Set	A	B	C
v ₁ (E)	1	31	4'-1"	5'-7"	9'-8"
v ₂ (E)	1	31	5'-7"	7'-1"	12'-8"
v ₃ (E)	1	26	7'-1"	8'-4"	15'-5"
v ₄ (E)	1	31	8'-10"	7'-4"	16'-2"
v ₅ (E)	1	31	7'-4"	5'-9"	13'-1"

BILL OF MATERIAL

Bar	No.	Size	Length	Shape
d(E)	615	#4	5'-3"	L
d ₁ (E)	615	#6	6'-6"	
e(E)	104	#5	32'-2"	
e ₁ (E)	48	#5	29'-8"	
e ₂ (E)	8	#5	24'-7"	
h(E)	263	#5	32'-2"	
h ₁ (E)	120	#5	29'-8"	
h ₂ (E)	23	#5	24'-7"	
v(E)	372	#4	4'-1"	
v ₁ (E)	31	#4	9'-8"	
v ₂ (E)	31	#4	12'-8"	
v ₃ (E)	26	#4	15'-5"	
v ₄ (E)	558	#4	8'-9"	
v ₅ (E)	31	#4	16'-2"	
v ₆ (E)	31	#4	13'-1"	
v ₇ (E)	4	#4	5'-1"	
Reinforcement Bars, Epoxy Coated		POUND	32,100	
Concrete Structures		CU YD	261	
Protective Coat		SQ YD	798	
Furnishing Soldier Piles (HP Section)		FOOT	627	
Furnishing Soldier Piles (W Section)		FOOT	1,795	
Drilling and Setting Soldier Piles (in Soil)		CU FT	12,306	

Reinforcement bars designated (E) shall be epoxy coated.



LAP SPLICES

Bar	Lap
#4	1'-8"
#5	2'-2"
#6	2'-7"
#8	4'-6"

REVISIONS	
NAME	DATE

ILLINOIS DEPARTMENT OF TRANSPORTATION
F.A.I. 94 (DAN RYAN EXPRESSWAY)
RETAINING WALL ALONG STATE ST.
EXIT RAMP AT AIS #1
AIS 1
PILE LAYOUT, DETAILS & BILL OF MATERIAL
 S.N. 016-W954
 SCALE: N.T.S.
 DATE: MARCH 18, 2005

DESIGNED BY: MI, MAF
 DRAWN BY: MAF, DJR
 CHECKED BY: TD, MI