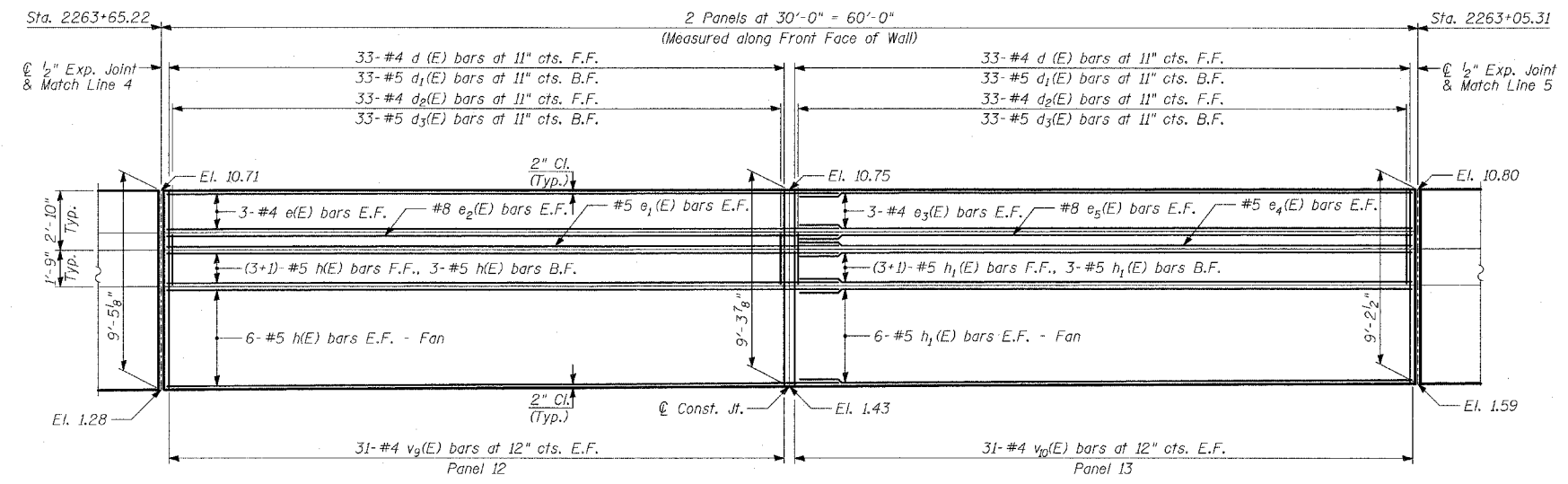
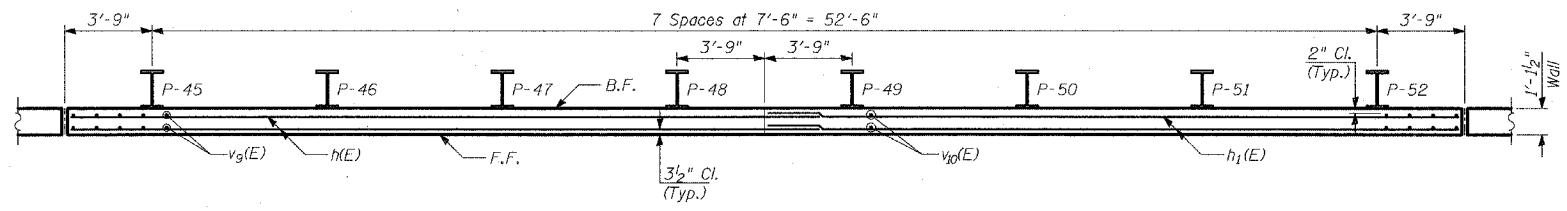


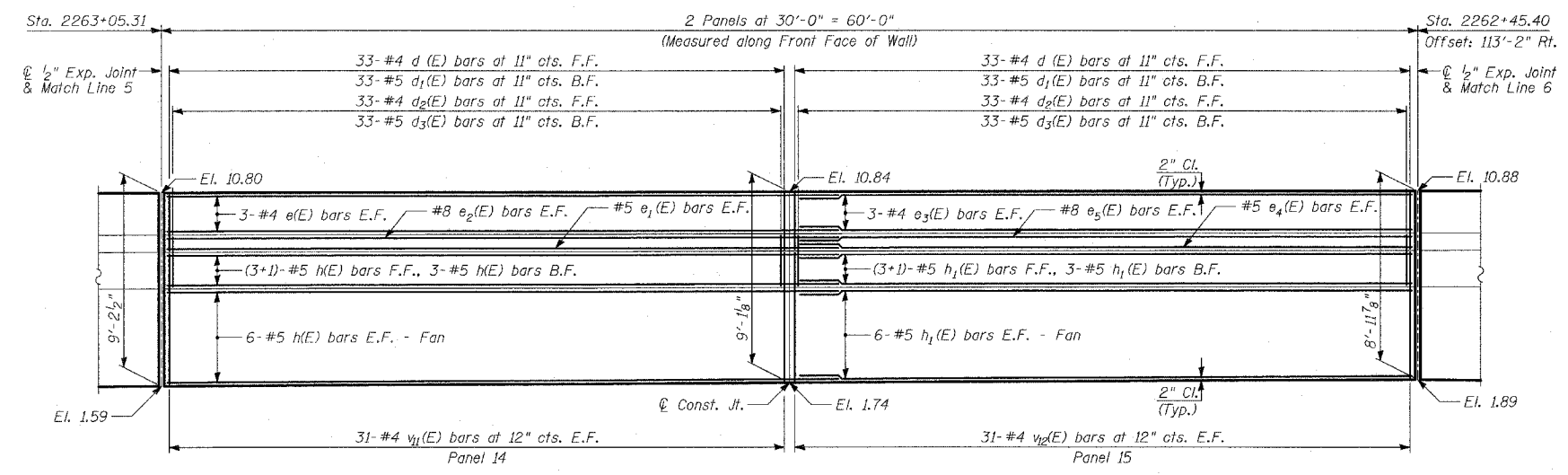
F.A.I. RTE.	SECTION	COUNTY	TOTAL SHEETS	SHEET NO.
94		COOK	860	543
STA. 2200+00.00 TO STA. 2362+00.00				
FED. ROAD DIST. NO. ILLINOIS FED. AID PROJECT				
(1516.1, 1717 & 1818) R-8				
				62694



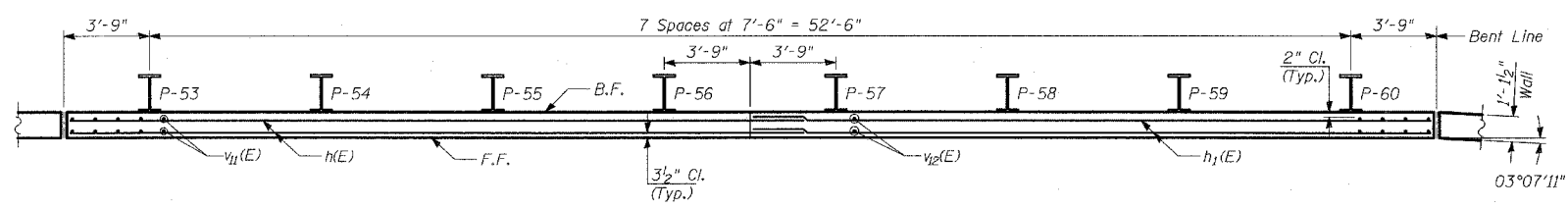
ELEVATION



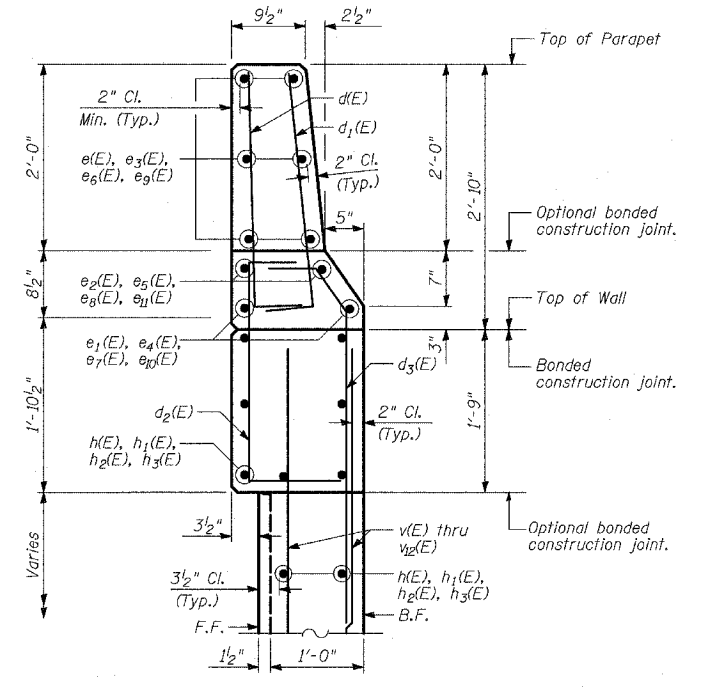
PLAN



ELEVATION



PLAN



TYPE F BARRIER DETAIL
(Sta. 2266+94.73 to Sta. 2262+45.40)

- NOTES:**
1. B.F. - denotes Back Face.
 2. E.F. - denotes Each Face.
 3. F.F. - denotes Front Face.
 4. Work this sheet with Sheets 6 thru 18 of 23.
 5. Pile spacing measured along front face of wall.
 6. For Lap Splices, see Sheet 7 of 23.

REVISIONS	
NAME	DATE

ILLINOIS DEPARTMENT OF TRANSPORTATION
 F.A.I. 94 (DAN RYAN EXPRESSWAY)
 RETAINING WALL ALONG STATE ST.
 ENTRANCE RAMP FROM 87TH ST.
 WALL 6 - PLAN AND ELEVATION
 STA. 2263+65.22 TO STA. 2262+45.40
 S.N. 016-W956 DESIGNED BY: MI, MAF
 SCALE: N.T.S. DRAWN BY: MAF, DJR
 DATE: MARCH 18, 2005 CHECKED BY: TD, MI

TYLIN INTERNATIONAL