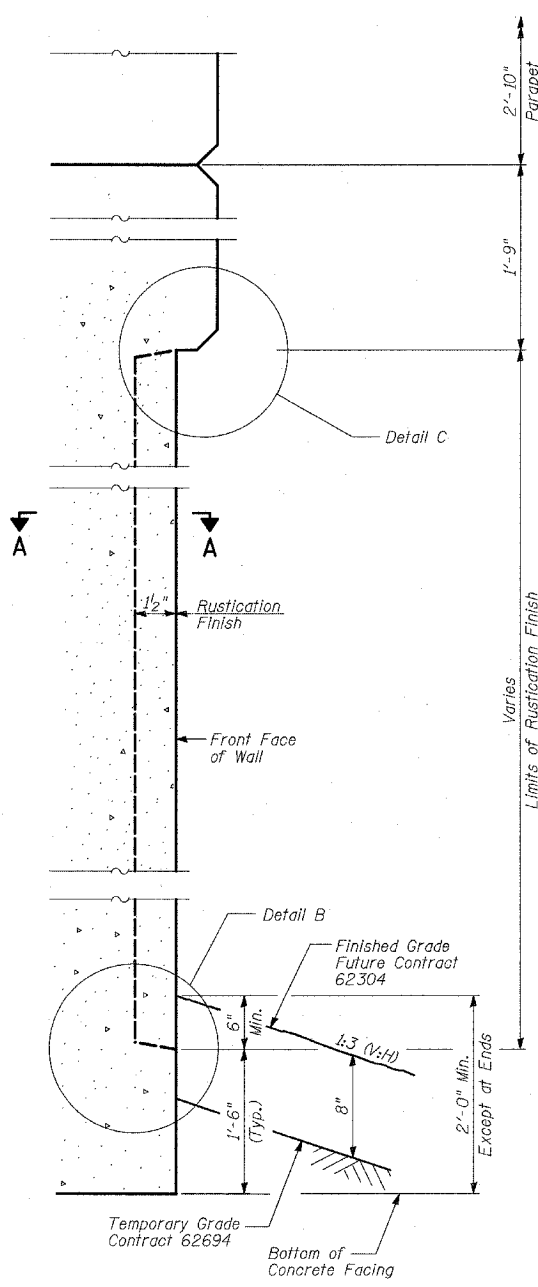


WALL DETAIL AT TYPE F PARAPET

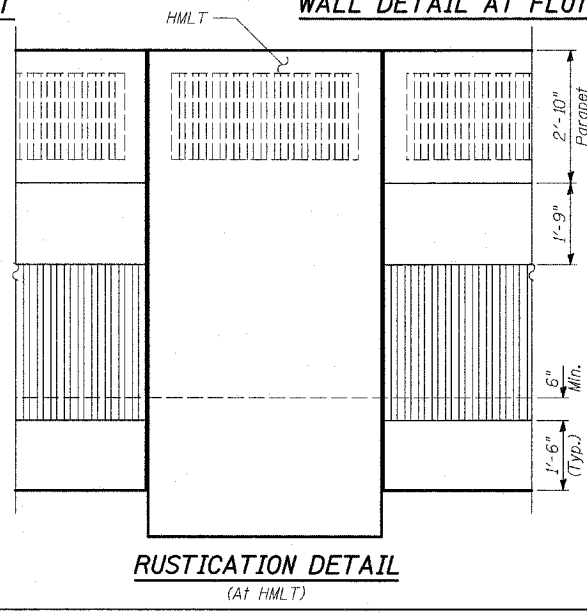


WALL DETAIL AT FLUTED PARAPET

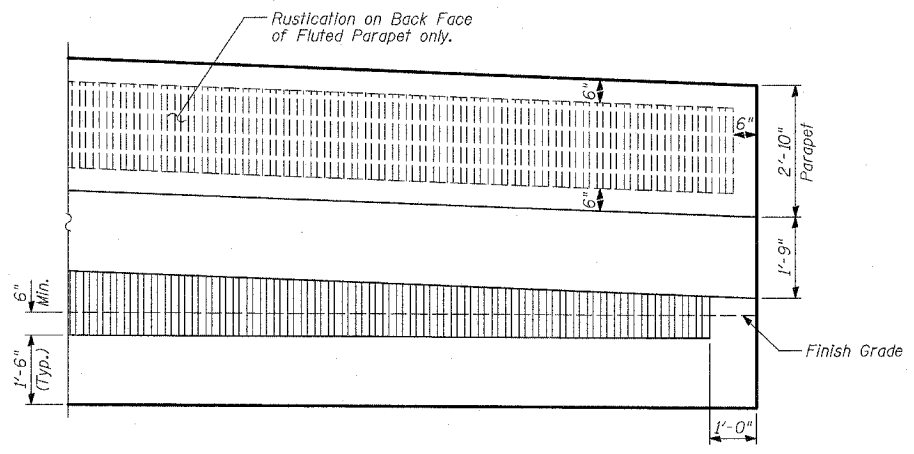
LEGEND
HMLT - denotes High Mast Light Tower.

NOTES:
1. See Sheet 12 of 23 for expansion and construction joint details.

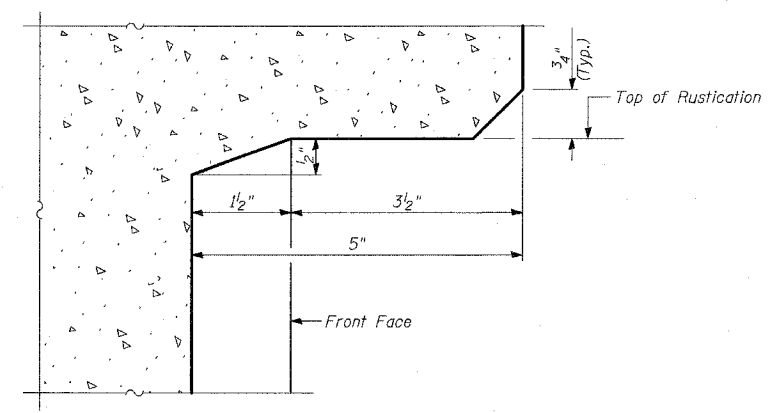
TYLIN INTERNATIONAL



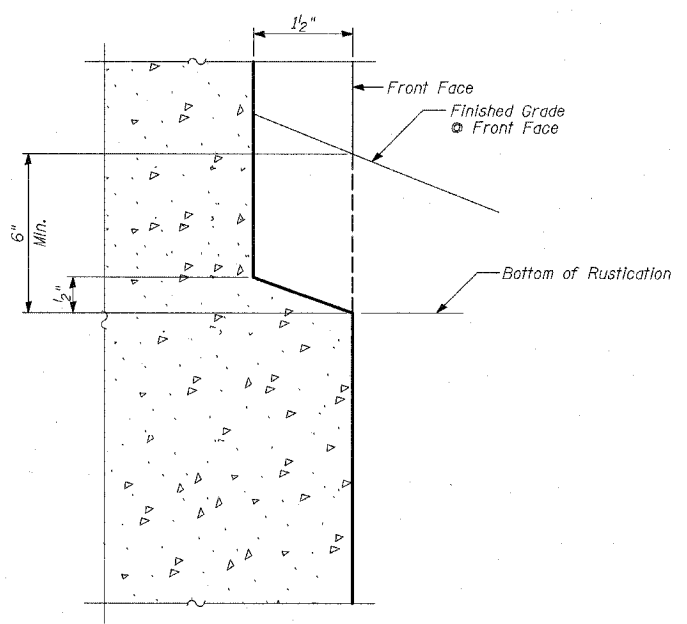
RUSTICATION DETAIL (At HMLT)



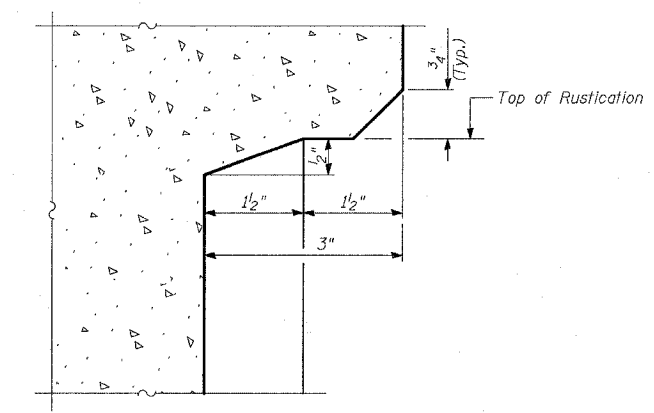
RUSTICATION DETAIL (At End Panel with Embankment)



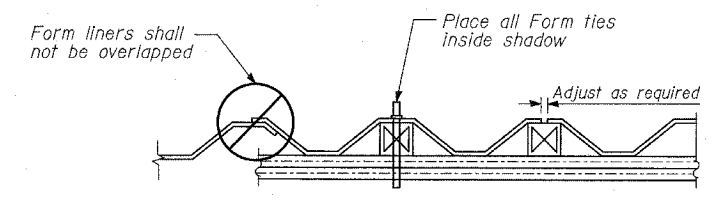
DETAIL A



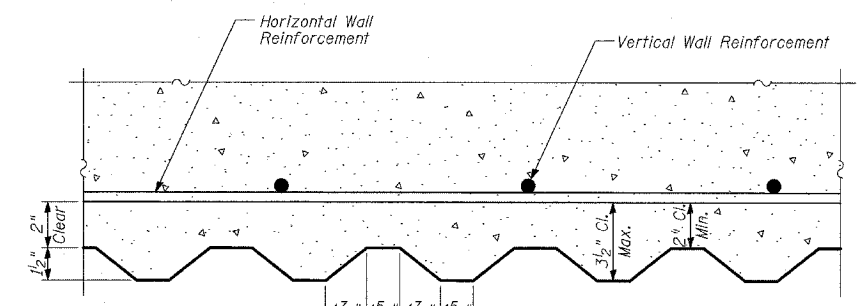
DETAIL B



DETAIL C



SUGGESTED FORMWORK DETAIL



SECTION A-A

BILL OF MATERIAL

ITEM	UNIT	TOTAL
Rustication Finish	SQ. FT.	1,900

REVISIONS	
NAME	DATE

ILLINOIS DEPARTMENT OF TRANSPORTATION
F.A.I. 94 (DAN RYAN EXPRESSWAY)
RETAINING WALL ALONG STATE ST.
ENTRANCE RAMP FROM 8TH ST.
WALL 6
RUSTICATION DETAILS
S.N. 016-W956
SCALE: N.T.S.
DATE: MARCH 18, 2005

DESIGNED BY: MI, MAF
DRAWN BY: MAF, DJR
CHECKED BY: TD, MI