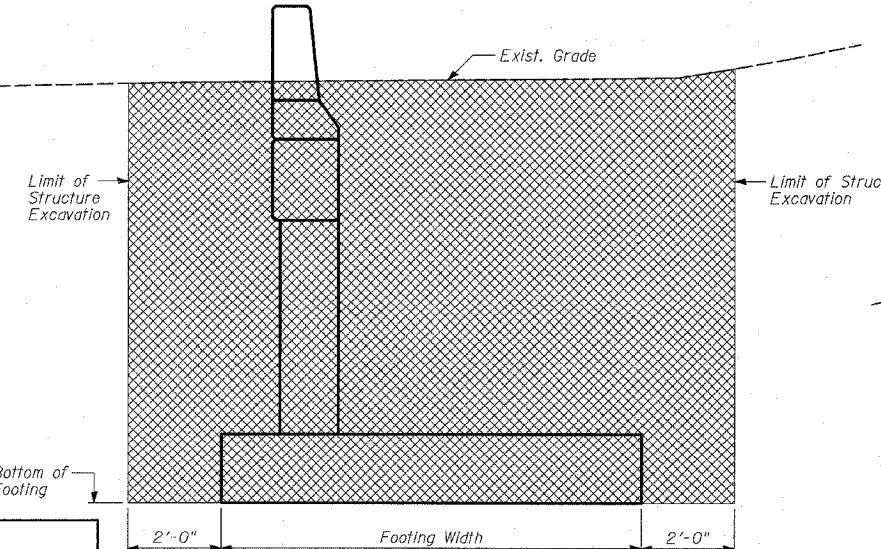


BILL OF MATERIAL

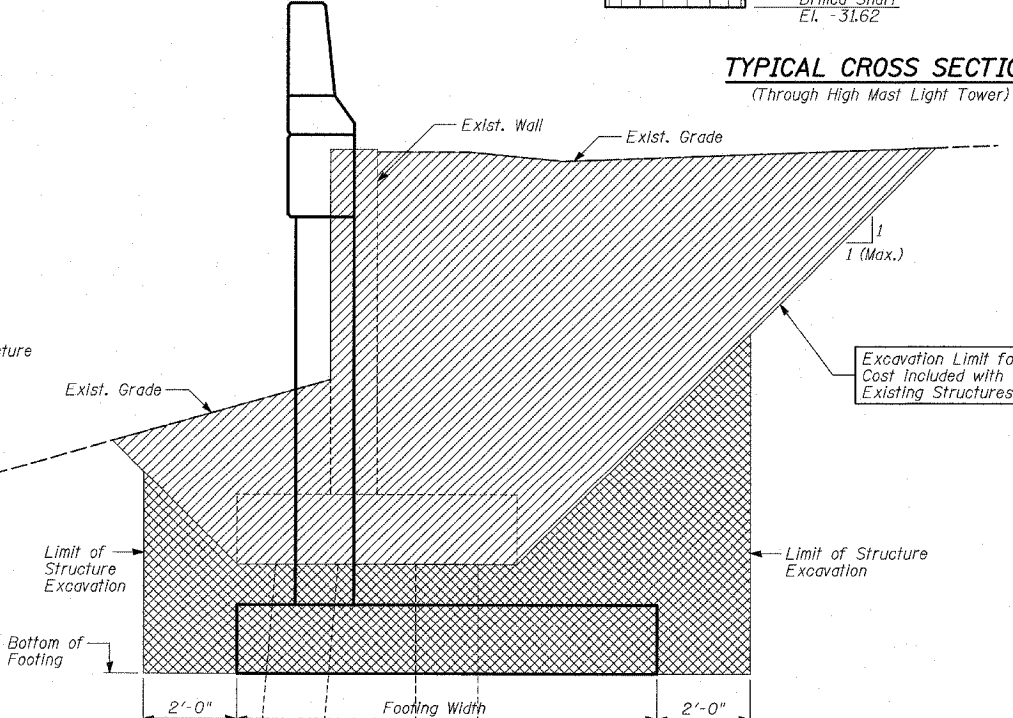
ITEM	UNIT	TOTAL
Porous Granular Embankment	CU YD	1,059
Structure Excavation	CU YD	3,159
Geocomposite Wall Drain	SQ YD	527
Pipe Underdrains for Structures, 6"	FOOT	600

TYPICAL CROSS SECTION

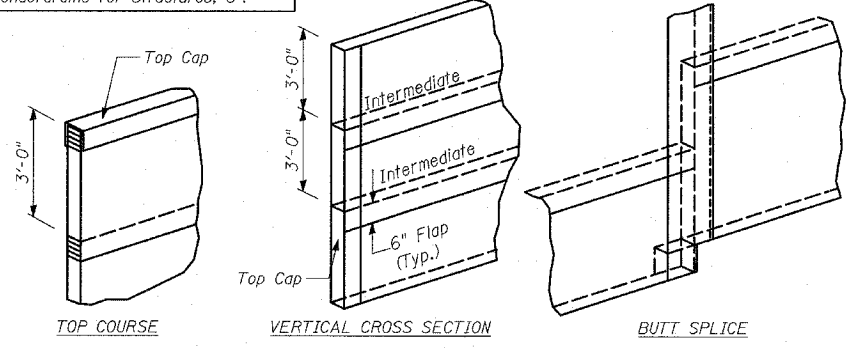


STRUCTURE EXCAVATION
 (Sta. 2319+92.27 to Sta. 2317+54.39
 Sta. 2316+35.39 to Sta. 2313+98.58)

TYPICAL CROSS SECTION
 (Through High Mast Light Tower)



STRUCTURE EXCAVATION
 (Sta. 2317+54.39 to Sta. 2316+35.39)



LEGEND

- Porous Granular Embankment
- Structure Excavation
- Excavation for Wall Removal

REVISIONS	
NAME	DATE

ILLINOIS DEPARTMENT OF TRANSPORTATION
 F.A.I. 94 (DAN RYAN EXPRESSWAY)
 RETAINING WALL ALONG STATE ST.
 ENTRANCE RAMP AT 79TH ST.
 WALL 69
 S.N. 016-W975
 SCALE: N.T.S.
 DATE: MARCH 18, 2005

DESIGNED BY: MI, DJR
 DRAWN BY: DJR
 CHECKED BY: TD, MI