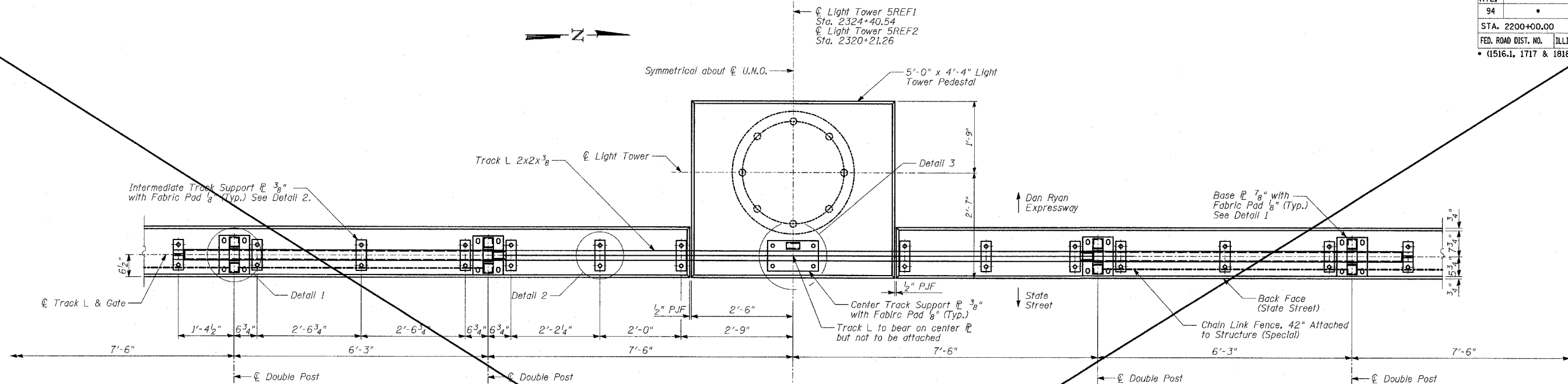
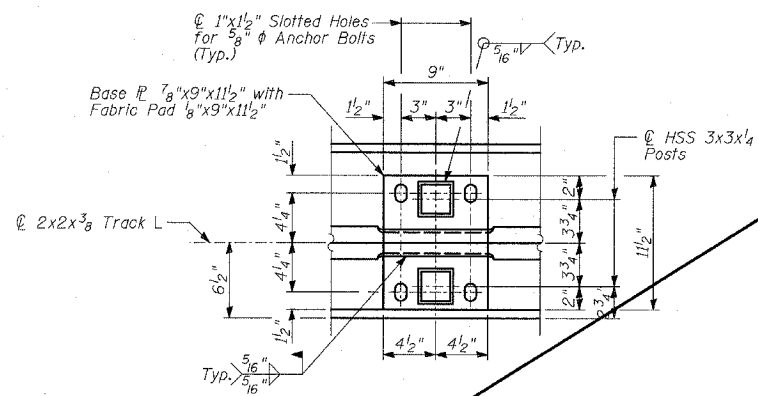


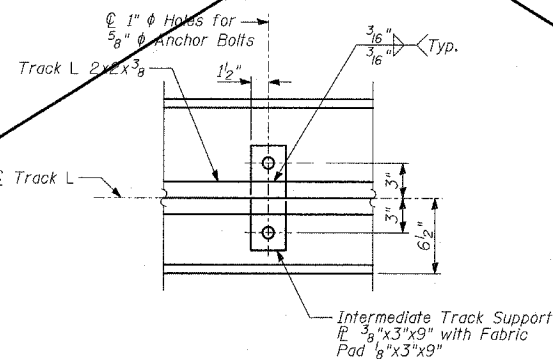
| | | | | |
|---------------------------|---------|---------------------------|--------------|-----------|
| F.A.I. RTE. | SECTION | COUNTY | TOTAL SHEETS | SHEET NO. |
| 94 | | COOK | 860 | 628 |
| STA. 2200+00.00 | | TO STA. 2362+00.00 | | |
| FED. ROAD DIST. NO. | | ILLINOIS FED. AID PROJECT | | |
| (1516.1, 1717 & 1818) R-8 | | 62694 | | |



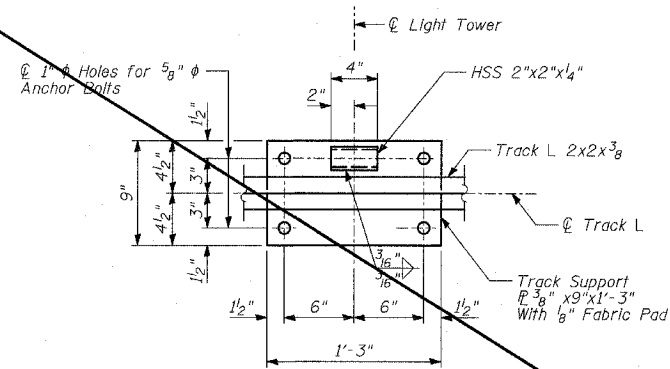
PLAN - GATE IN OPEN POSITION



DETAIL 1 - BASE P PLAN



DETAIL 2



DETAIL 3

BILL OF MATERIAL

| ITEM | UNIT | TOTAL |
|------------------------------------|------|-------|
| Chain Link Gate Assembly (Special) | EACH | 2 |

NOTES:

1. All bolts shall be stainless steel conforming to ASTM F593-98 and F594-98.
2. All pipes and bars shall be hot dipped galvanized after fabrication.
3. For Back Face Elevations, see Sheet 25 of 36.
4. For Anchor Bolt Details, see Sheet 26 of 36.

| REVISIONS | |
|-----------|----------|
| NAME | DATE |
| | |
| | |
| | |
| | |
| | |
| | |
| REVISED | 04/15/05 |

ILLINOIS DEPARTMENT OF TRANSPORTATION
F.A.I. 94 (DAN RYAN EXPRESSWAY)
RETAINING WALL ALONG STATE ST.
77TH ST. TO 78TH ST.
WALL 70
GATE PLAN AND NOTES

S.N. 016-W976 DESIGNED BY: ML DJR
SCALE: N.T.S. DRAWN BY: DJR, SB
DATE: MARCH 18, 2005 CHECKED BY: TD, MI