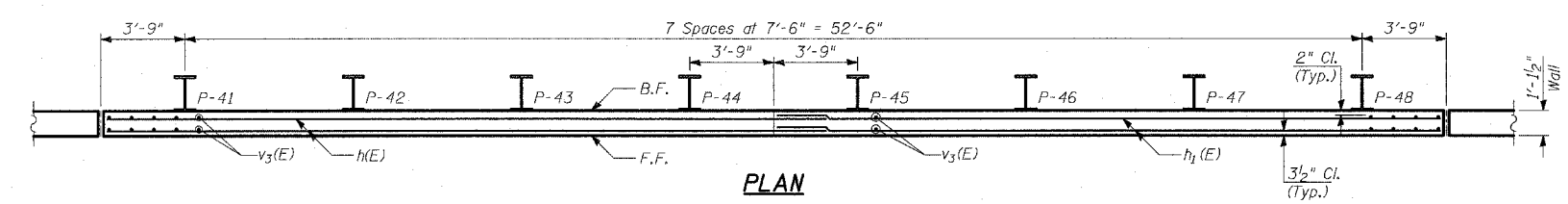
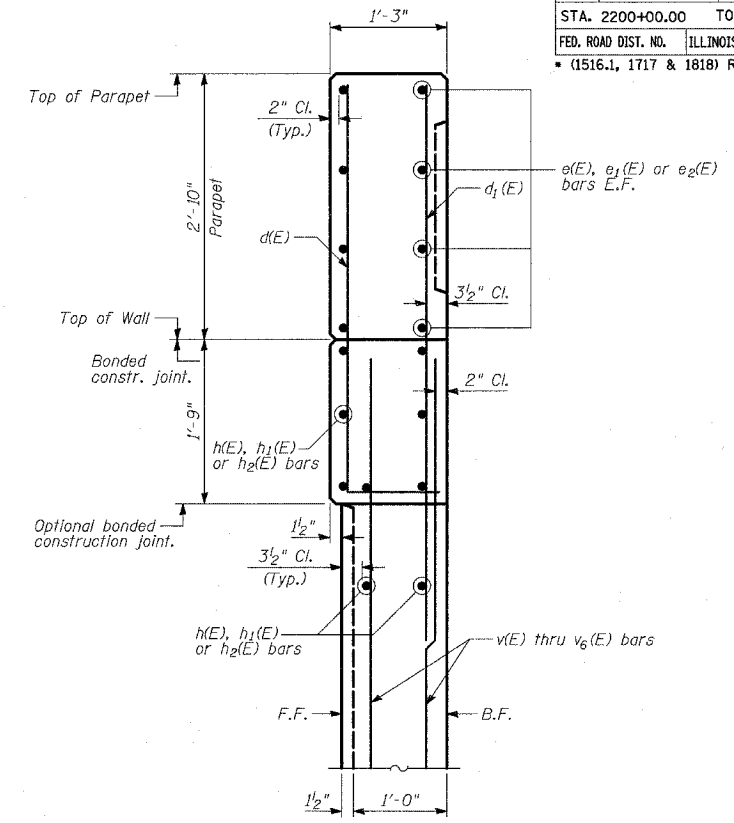


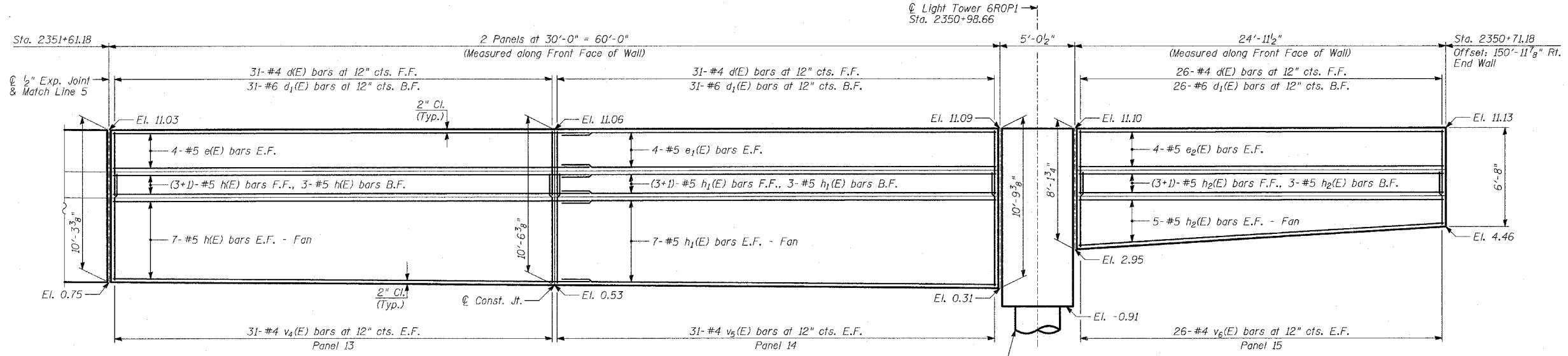
ELEVATION



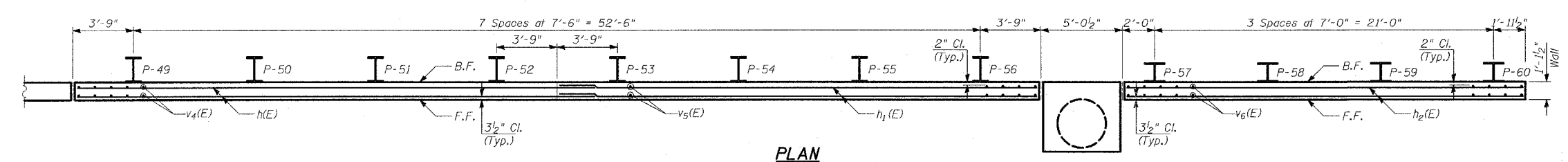
PLAN



FLUTED PARAPET DETAIL



ELEVATION



PLAN

NOTES:

1. B.F. - denotes Back Face.
2. E.F. - denotes Each Face.
3. F.F. - denotes Front Face.
4. Work this sheet with Sheets 5 and 7 thru 15 of 21.
5. Pile spacing measured along front face of wall.
6. For Lap Splices, see Sheet 5 of 21.

SHEET 4 OF 20

REVISIONS	
NAME	DATE

ILLINOIS DEPARTMENT OF TRANSPORTATION
F.A.I. 94 (DAN RYAN EXPRESSWAY)
RETAINING WALL ALONG STATE ST.
EXIT RAMP AT AIS #2
AIS #2 - PLAN AND ELEVATION
STA. 2352+21.18 TO STA. 2350+71.18
 S.N. 016-W960 DESIGNED BY: MI, DJR
 SCALE: N.T.S. DRAWN BY: DJR, TB
 DATE: MARCH 18, 2005 CHECKED BY: TD, MI