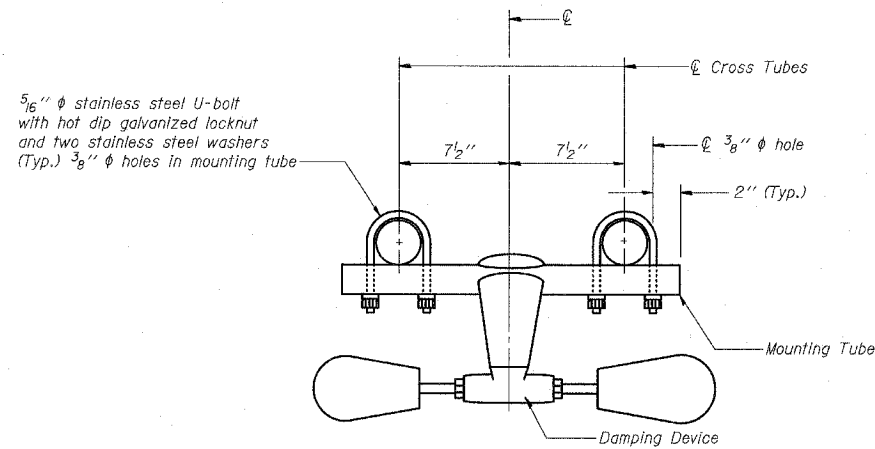
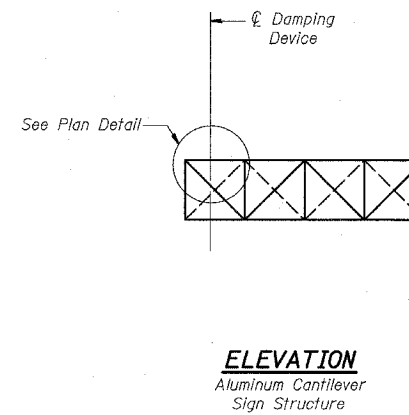


**PLAN DETAIL**



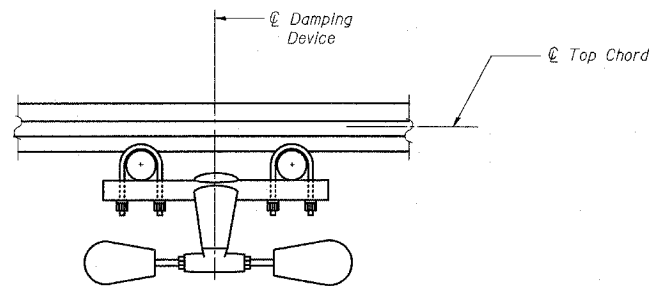
**TRUSS DAMPING DEVICE CONNECTION DETAIL**



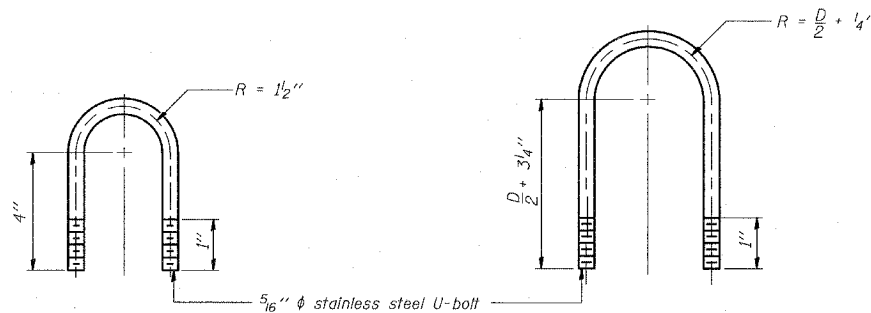
**ELEVATION**  
Aluminum Cantilever Sign Structure

**GENERAL NOTES**

- Damper: One damper per truss. (31 lbs. Stockbridge-Type Aluminum)
- Materials: Aluminum tubes shall be ASTM B221 alloy 6061 temper T6



**SECTION A-A**



**DAMPING DEVICE MOUNTING TUBE U-BOLT DETAIL**  
(Typical)

**TOP CHORD TO CROSS TUBE U-BOLT DETAIL**  
(Typical)

OSC-A-D 11/1/2002

TYLIN INTERNATIONAL

REVISIONS	
NAME	DATE

ILLINOIS DEPARTMENT OF TRANSPORTATION  
F.A.I. 94 (DAN RYAN EXPRESSWAY)  
CANTILEVER SIGN STRUCTURES  
DAMPING DEVICE

SCALE: AS NOTED  
DATE: MARCH 18, 2005  
DRAWN BY: AMB  
CHECKED BY: TB

3/25/2005 4:47:45 PM