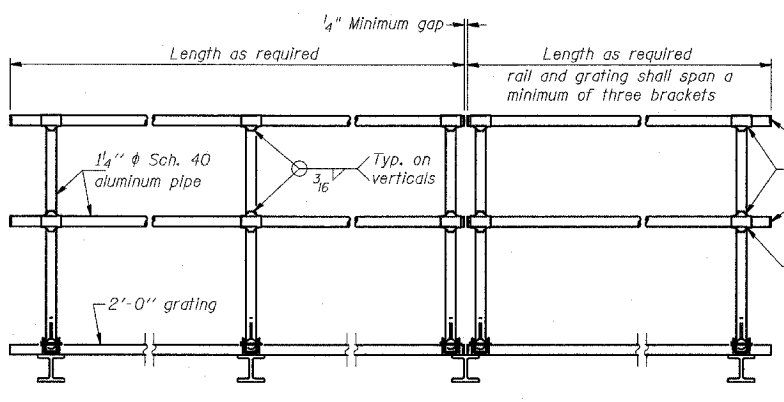


**SIDE ELEVATION**  
(Showing Safety Chain W/O Sign)



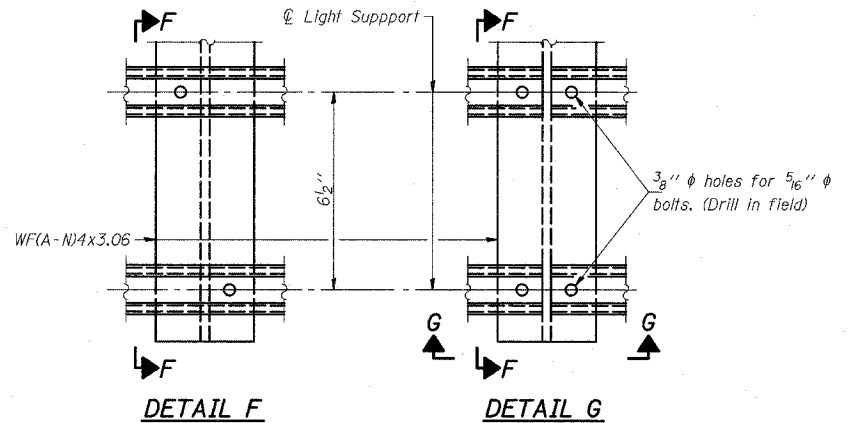
**FRONT ELEVATION**

**HANDRAIL DETAILS**

Handrail pipe shall be ASTM B241, Alloy 6063-T6 or Alloy 6061-T6.

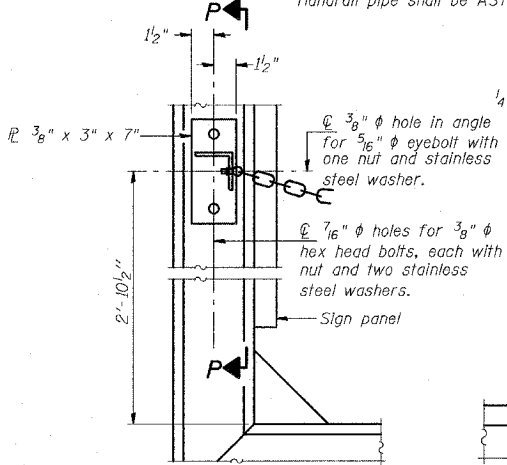
① Install standard force-fit end caps or weld 1/8" end plates with 1/8" c.f.w. and grind smooth. (All rail ends)  
Fittings- ASTM B26, Alloy 356-T7

② Horizontal handrail member shall be continuous thru fitting. Provide 1/16" hole in fitting for 3/8" bolt. Field drill 1/16" hole in horizontal rail member. Provide locknut and two stainless steel washers for bolt. (Use 5/16" eyebolts in 7/16" holes on top rail at ends only.)



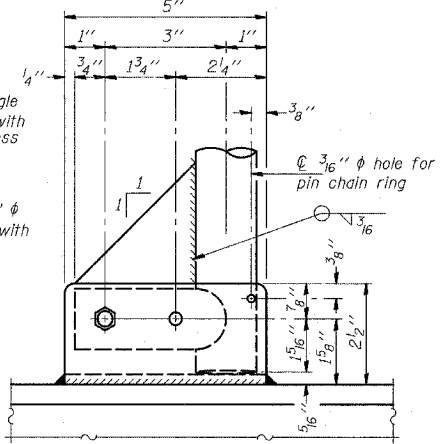
**DETAIL F**

**DETAIL G**



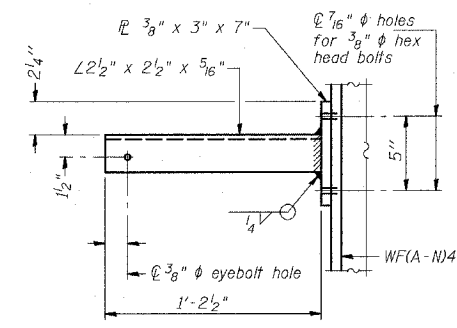
**ALTERNATE SAFETY CHAIN ATTACHMENT**  
(With Sign Present)

Items not shown same as "Side Elevation" of "Handrail Details"

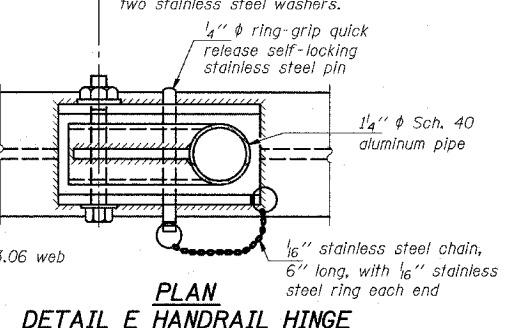


**SIDE ELEVATION**

Drill and ream for 3/8" bolt with two hexagon locknuts and two stainless steel washers.

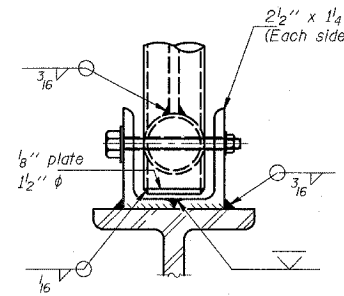


**SECTION P-P**



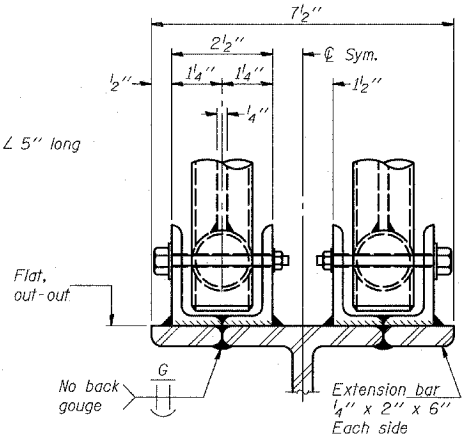
**PLAN**  
**DETAIL E HANDRAIL HINGE**

NUMBER	REVISION	DATE



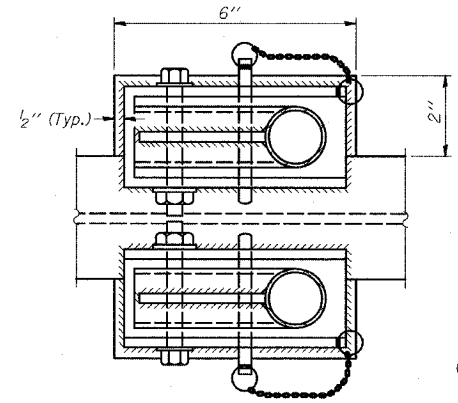
**FRONT ELEVATION**

Details not shown same as "ELEVATION" at right.



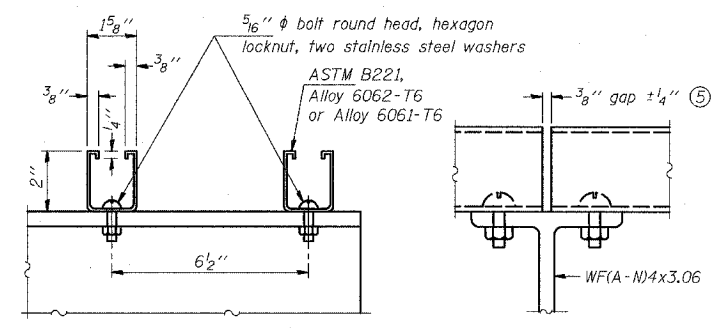
**ELEVATION AT HANDRAIL JOINT**

Details not shown same as "FRONT ELEVATION"



**PLAN AT HANDRAIL JOINT**

Details not shown same as "PLAN"

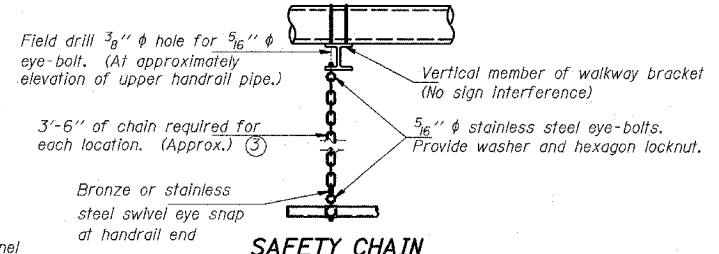


**SECTION F-F**

**SECTION G-G**

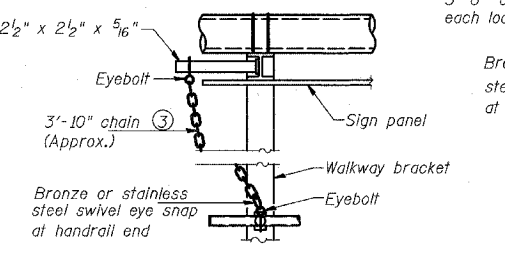
**LIGHTING FIXTURE MOUNTS (IF REQUIRED)**

⑤ Field cut ends of light support channels shall be free of burrs or hazardous projections and coated with zinc-rich primer or equivalent.



**SAFETY CHAIN**

One required for each end of each walkway.



**ALTERNATE SAFETY CHAIN ATTACHMENT**

Details not shown similar to "Safety Chain" Details (Walkway omitted for clarity)

③ 3/16" galvanized steel chain, approximately 12 links per foot. Chain to be hot dip galvanized after manufacture and suitable for prolonged exterior exposure. Alternate materials may be substituted with the Engineer's approval.

④ Extrusions may be used in lieu of the details shown, with approval of the Engineer.

OSC-A-8 11/1/2002

**TYLIN INTERNATIONAL**

REVISIONS	
NAME	DATE

ILLINOIS DEPARTMENT OF TRANSPORTATION  
F.A.I. 94 (DAN RYAN EXPRESSWAY)  
CANTILEVER SIGN STRUCTURES  
HANDRAIL DETAILS  
ALUMINUM TRUSS & STEEL POST

SCALE: AS NOTED  
DATE: MARCH 18, 2005  
DRAWN BY: AMB  
CHECKED BY: TB