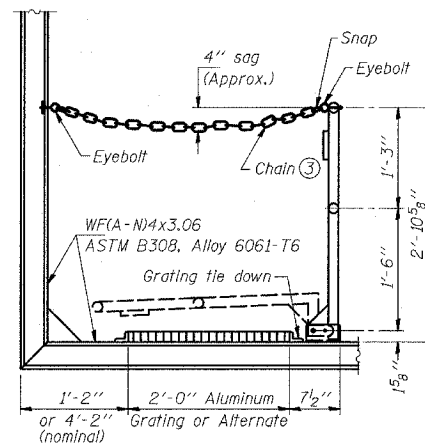
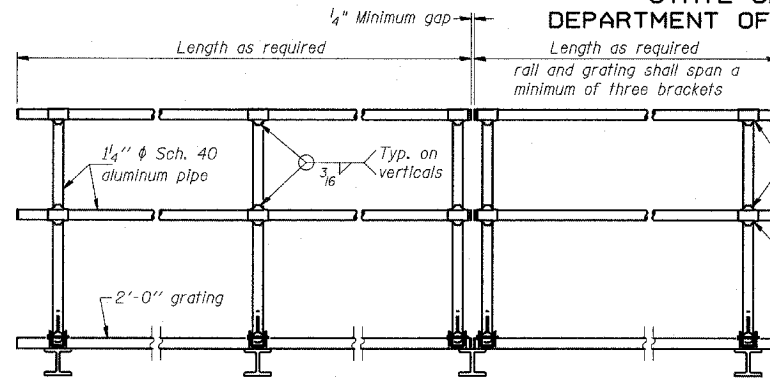


STATE OF ILLINOIS
DEPARTMENT OF TRANSPORTATION



SIDE ELEVATION

(Showing safety chain w/o sign)



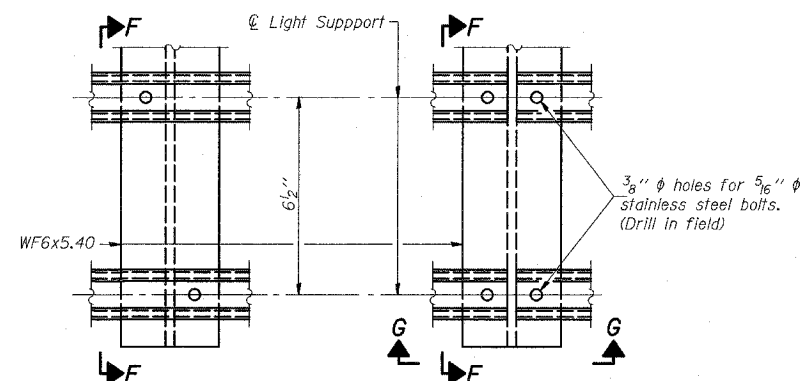
FRONT ELEVATION

HANDRAIL DETAILS

Handrail pipe shall be ASTM B241, Alloy 6063-T6 or Alloy 6061-T6.

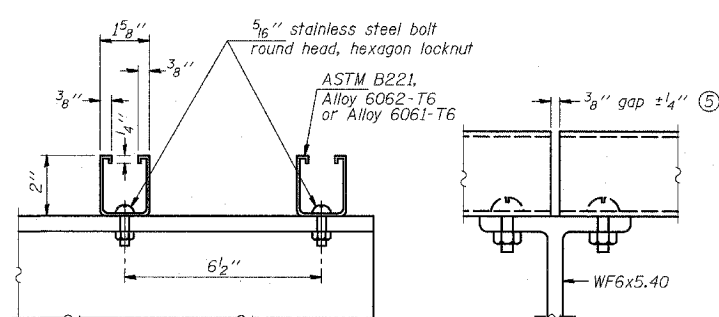
① Install standard force-fit end caps or weld 1/8\"/>

② Horizontal handrail member shall be continuous thru fitting. Provide 1/16\"/>



DETAIL F

DETAIL G

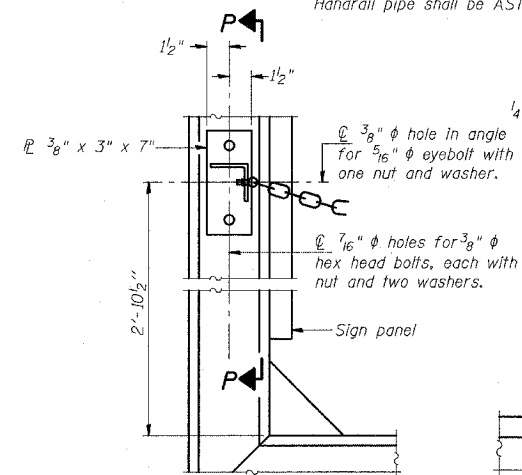


SECTION F-F

SECTION G-G

LIGHTING FIXTURE MOUNTS (IF REQUIRED)

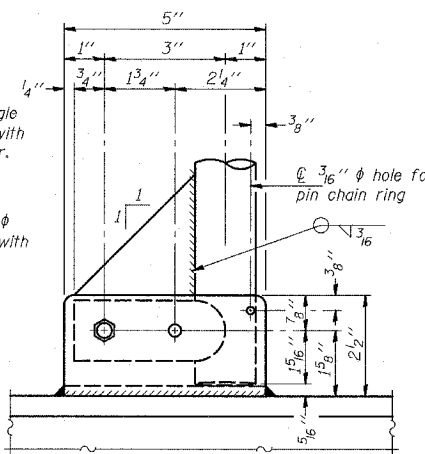
⑤ Field cut ends of light support channels shall be free of burrs or hazardous projections and coated with zinc-rich primer or equivalent.



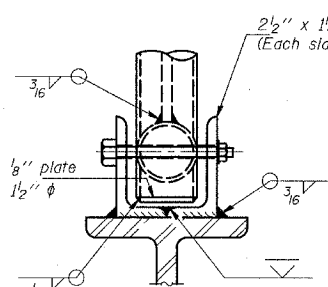
ALTERNATE SAFETY CHAIN ATTACHMENT

(With Sign Present)

Items not shown same as "Side Elevation" of "Handrail Details"

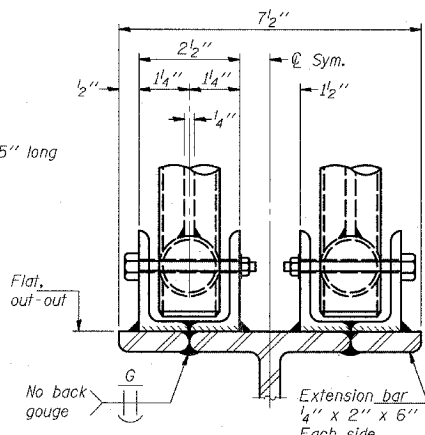


SIDE ELEVATION

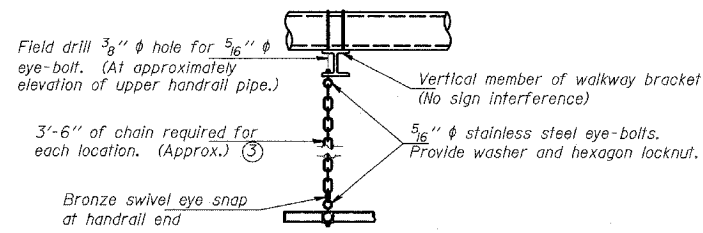


FRONT ELEVATION

See "ELEVATION" at right for dimensions.

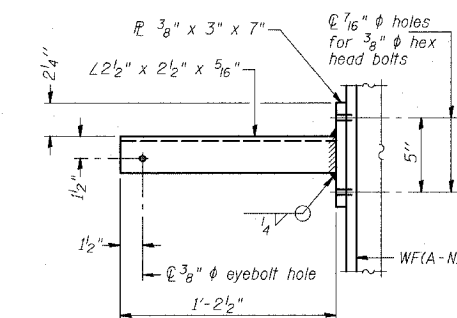


ELEVATION AT HANDRAIL JOINT

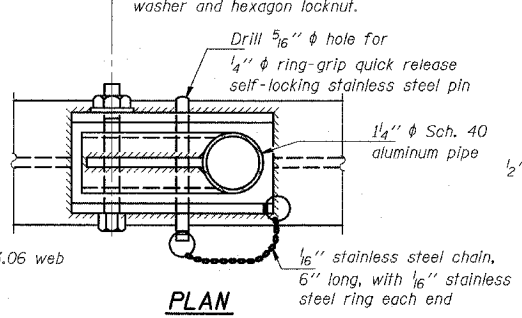


SAFETY CHAIN

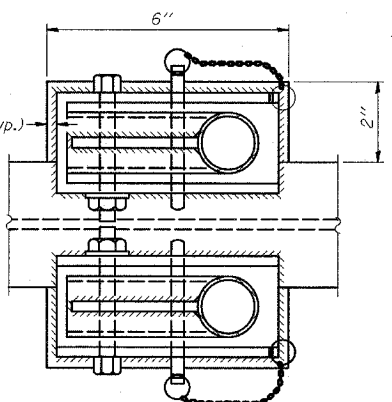
One required for each end of each walkway.



SECTION P-P

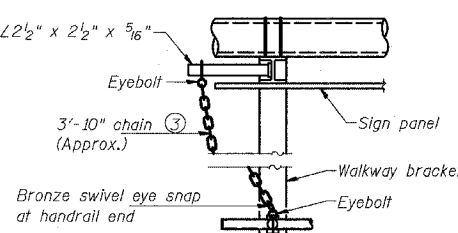


PLAN DETAIL E HANDRAIL HINGE



PLAN AT HANDRAIL JOINT

Details not shown same as "PLAN"



ALTERNATE SAFETY CHAIN ATTACHMENT

Details not shown similar to "Safety Chain" Details (Walkway omitted for clarity)

③ 3/16\"/>

④ Extrusions may be used in lieu of the details shown, with approval of the Engineer.

DESIGNED	
CHECKED	
DRAWN	
CHECKED	

EXAMINED	19
PASSED	

NUMBER	REVISION	DATE

OS-A-11-DMS2 7/1/2001

REVISIONS	
NAME	DATE

ILLINOIS DEPARTMENT OF TRANSPORTATION
F.A.I. 94 (DAN RYAN EXPRESSWAY)

OVERHEAD SIGN STRUCTURES
ALTERNATE ALUMINUM HANDRAIL DETAILS

SCALE: AS NOTED
DATE: MARCH 18, 2005
DRAWN BY: AMB
CHECKED BY: TB