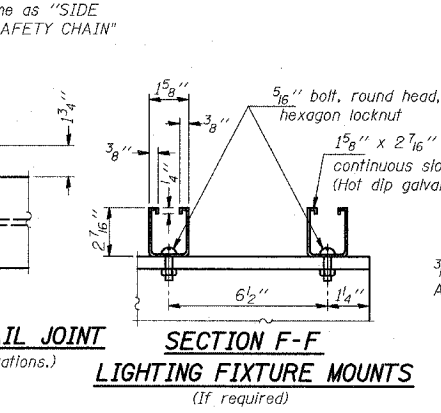
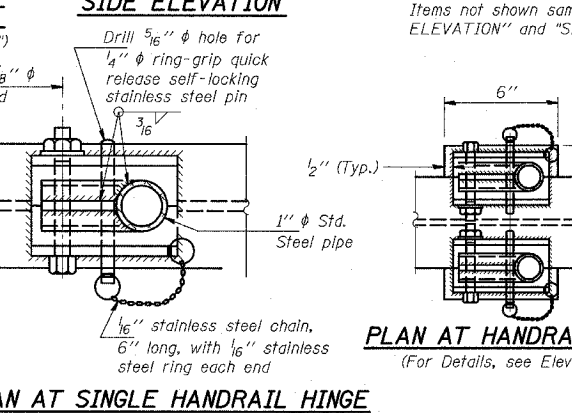
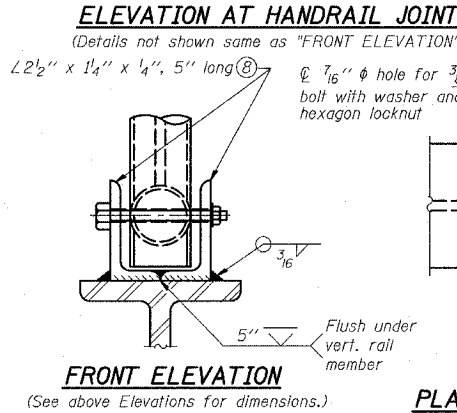
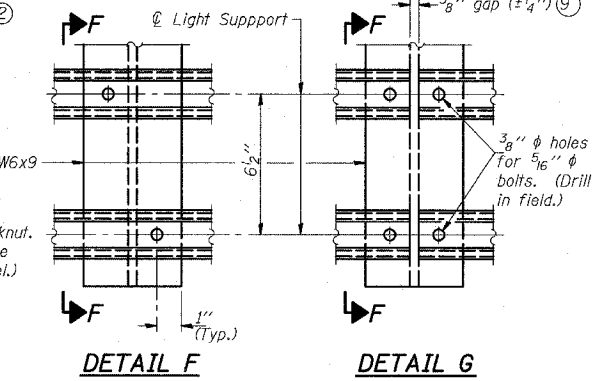
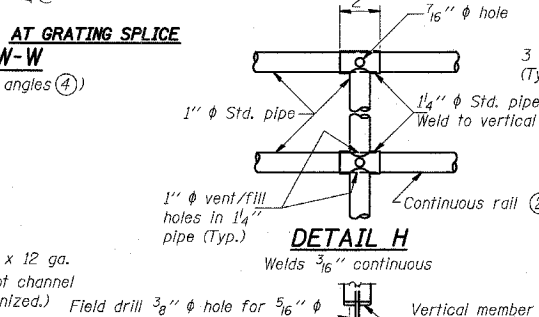
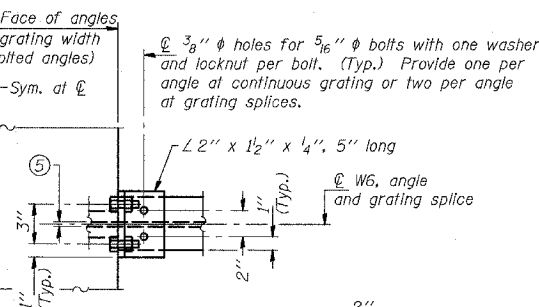
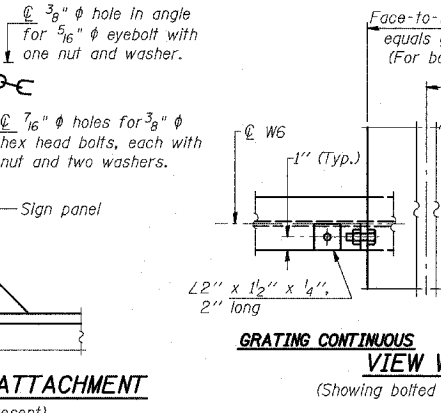
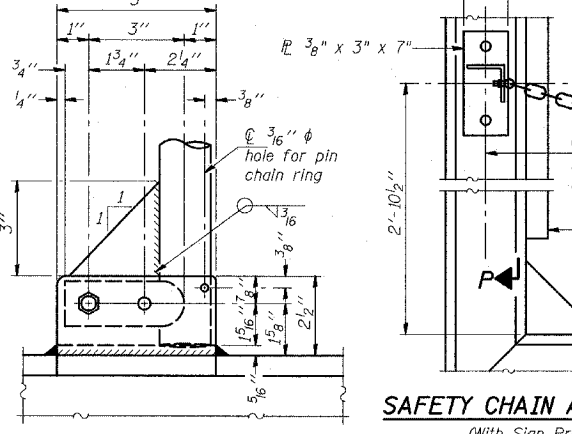
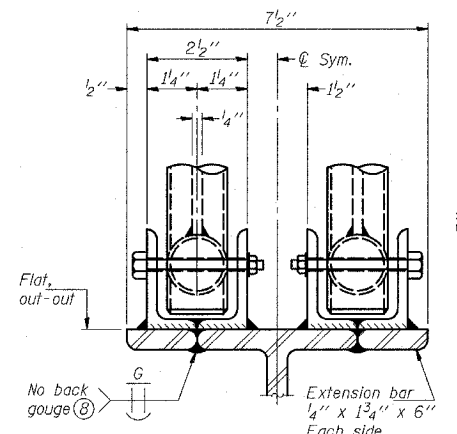
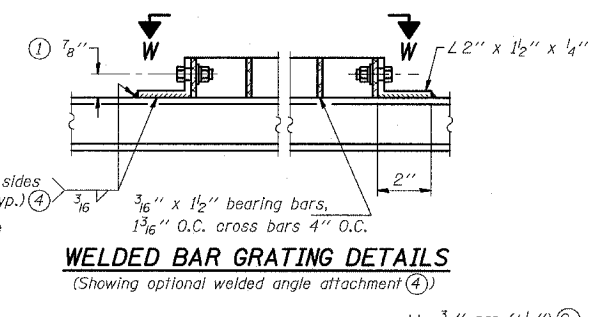
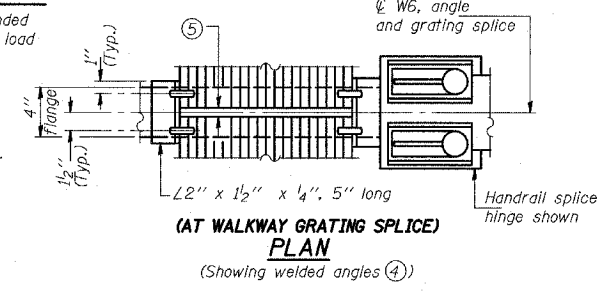
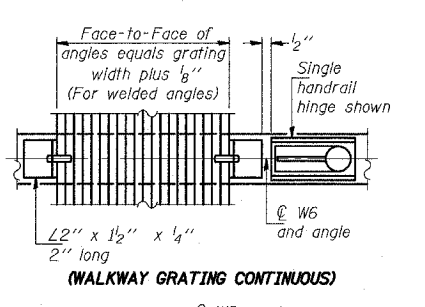
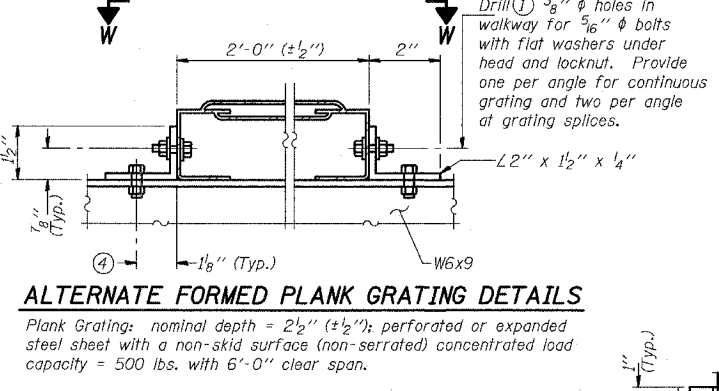
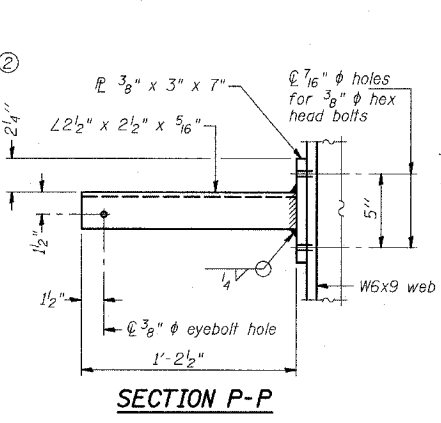
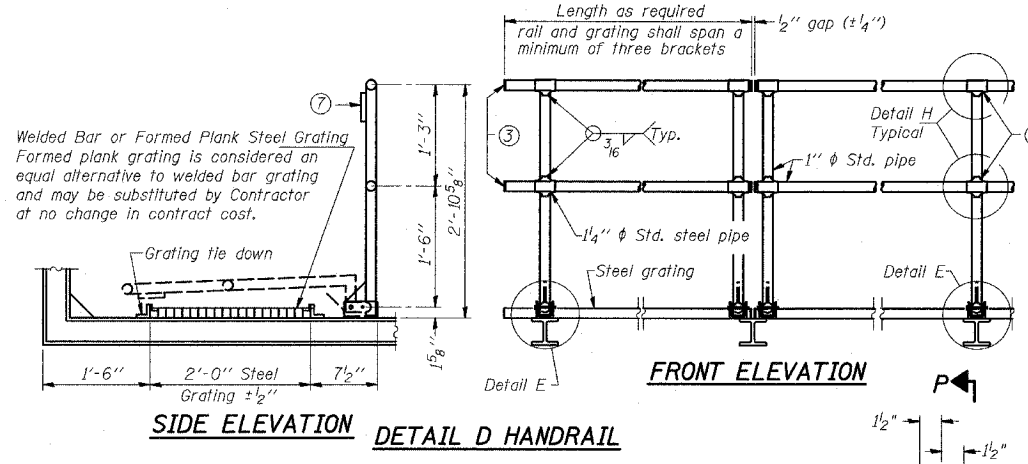


**STATE OF ILLINOIS
DEPARTMENT OF TRANSPORTATION**



NUMBER	REVISION	DATE

DESIGNED		20
CHECKED	EXAMINED	ENGINEER OF STRUCTURAL SERVICES
DRAWN	PASSED	ENGINEER OF BRIDGES AND STRUCTURES
CHECKED		

- NOTES**
- Drilling holes in grating may be done in shop or field, based on Contractor's preference and subject to accurate alignment.
 - Horizontal rail member shall be continuous thru 1 1/4 inch diameter pipe. Provide 7/16 inch diameter hole in fitting for 3/8 inch diameter bolt. Field drill 7/16 inch diameter hole in horizontal rail member. Provide washer and locknut for bolt. (Use 3/16 inch eye bolts in 7/16 inch diameter holes on top rail at ends only.)
 - Install standard force-fit end caps or weld 1/2 inch end plates with 1/2 inch c.f.w. and grind smooth. (All rail ends.)
 - Grating tie-down angles may be either bolted to W6x9 after galvanizing or welded to W6x9 before galvanizing, at the Contractor's option. (No weld on grating side.)
 - 3/8 inch (±1/4 inch) gap between grating panels at splice.
 - Chain to be hot dip galvanized after manufacture and suitable for prolonged exterior exposure. Alternate materials may be substituted with the Engineer's approval. Approximately 3'-6" long chain per location. Maximum sag with handrail erected = 4".
 - 1 1/2 inch x 1 1/2 inch x 2 inch welded to handrail posts to protect locations that contact grating.
 - Extrusions may be used in lieu of details shown, with approval by Engineer.
 - Field cut ends of light support channels shall be free of burrs or hazardous projections and coated with zinc-rich primer or equivalent.

BM-4 11/1/2002

FOR BRIDGE-MOUNTED SIGN STRUCTURE AT STA. 2365+00, USE W6x12 INSTEAD OF W6x9.

REVISIONS	NAME	DATE

ILLINOIS DEPARTMENT OF TRANSPORTATION F.A.I. 94 (DAN RYAN EXPRESSWAY)	
BRIDGE MOUNT SIGN STRUCTURES WALKWAY DETAILS	
SCALE: AS NOTED	DRAWN BY: AMB
DATE: MARCH 18, 2005	CHECKED BY: TB

TYLIN INTERNATIONAL