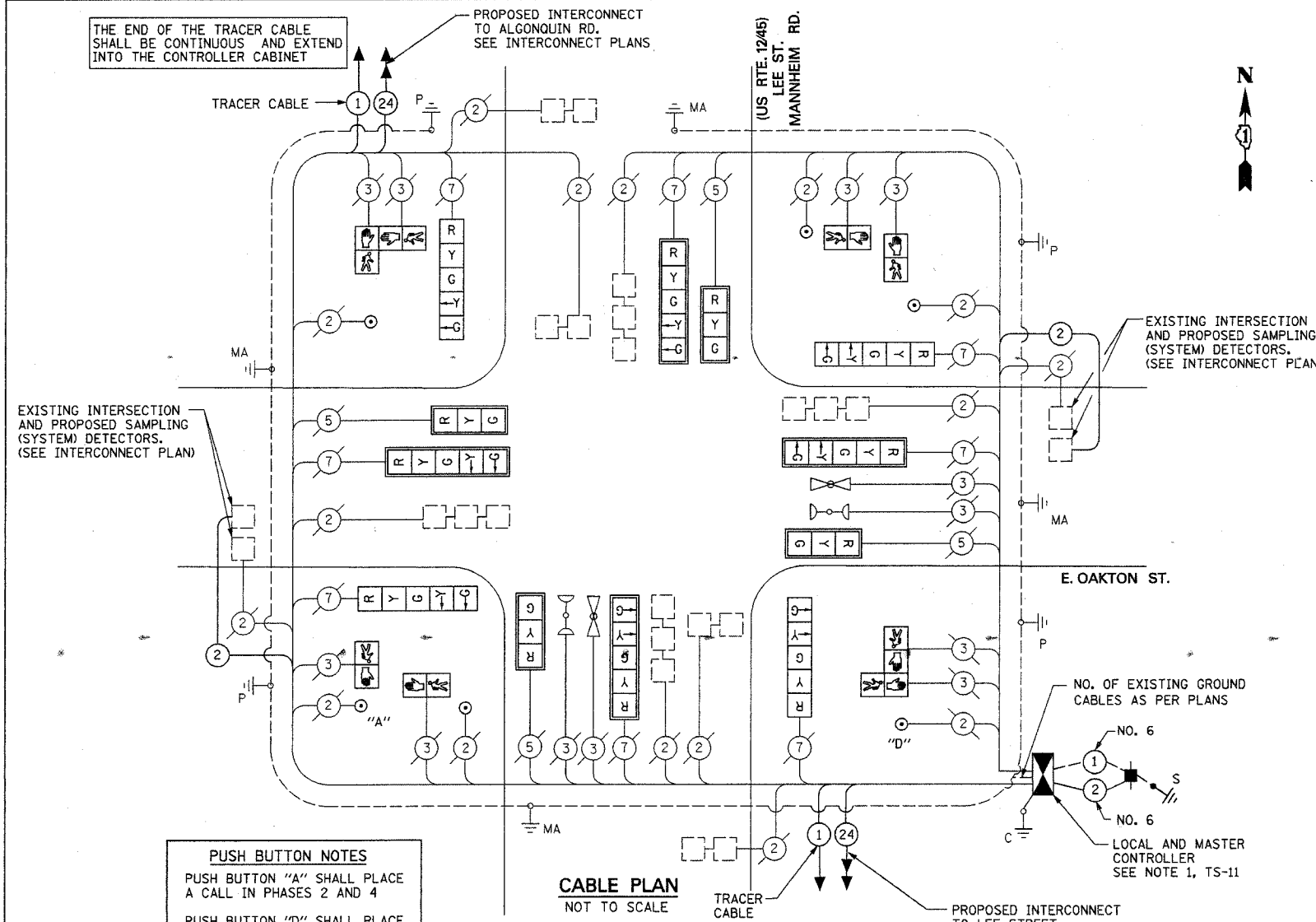


F.A.P. RTE.	SECTION	COUNTY	TOTAL SHEETS	SHEET NO.
330	2004-018TS	COOK	28	12
STA. TO STA.		FED. ROAD DIST. NO. 1 ILLINOIS FED. AID PROJECT		
CONTRACT NO. 62737				



CABLE PLAN LEGEND

EXISTING	PROPOSED	DESCRIPTION
		8" (200mm) TRAFFIC SIGNAL SECTION
		12" (300mm) TRAFFIC SIGNAL SECTION
		12" (300mm) PEDESTRIAN SIGNAL SECTION
		RAILROAD CONTROL CABINET
		CONTROLLER CABINET
		SERVICE INSTALLATION
		VEHICLE DETECTOR, INDUCTION LOOP
		TELEPHONE INSTALLATION
		MAGNETIC DETECTOR
		EMERGENCY VEHICLE LIGHT DETECTOR
		CONFIRMATION BEACON
		PUSHBUTTON DETECTOR
		2 DENOTES NUMBER OF CONDUCTORS. ALL CABLE NO. 14 EXCEPT AS INDICATED. ALL LOOP DETECTOR CABLE TO BE SHIELDED.
		1 GROUND CABLE IN CONDUIT NO. 6 SOLID COPPER (GREEN)
		24 FIBER OPTIC CABLE IN CONDUIT NO. 62.5/125 2-MM12F SM12F
		SIGNAL FACE WITH BACKPLATE "P" INDICATES PROGRAMMED HEAD.
		RAILROAD CONTROL CABINET
		ILLUMINATED SIGN "NO LEFT TURN"
		ILLUMINATED SIGN "NO RIGHT TURN"
		C GROUND ROD AT HANDHOLE (H), DOUBLE HANDHOLE (H), OR CONTROLLER (C)
		P GROUND ROD AT POST (P) OR MAST ARM POLE (MA)
		S GROUND ROD AT ELECTRIC SERVICE INSTALLATION

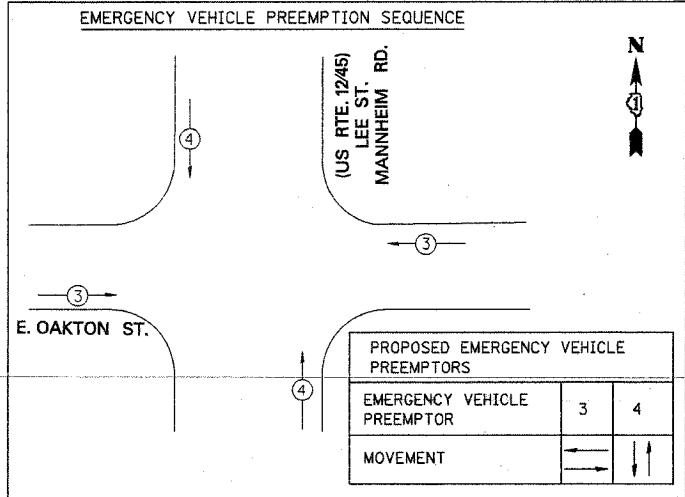
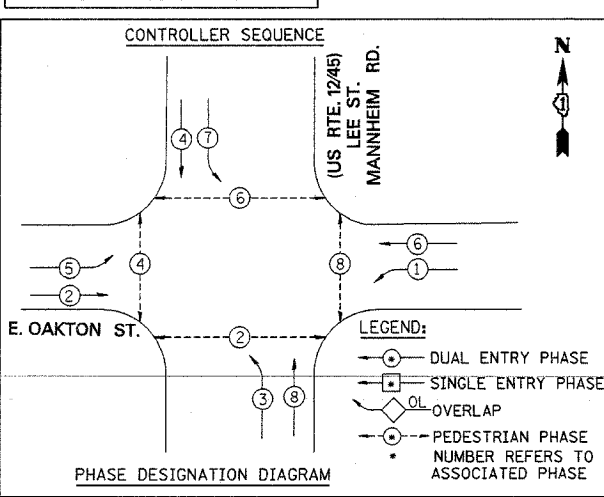
SCHEDULE OF QUANTITIES

PAY ITEM	UNITS	TOTAL
TRAFFIC CONTROL AND PROTECTION, STANDARD 701501	L SUM	0.2
TRAFFIC CONTROL AND PROTECTION, STANDARD 701606	L SUM	0.2
TRAFFIC CONTROL AND PROTECTION, STANDARD 701701	L SUM	0.2
TRAFFIC CONTROL AND PROTECTION, STANDARD 701801	L SUM	0.2
MAINTENANCE OF EXISTING TRAFFIC SIGNAL INSTALLATION	EACH	1
FULL-ACTUATED CONTROLLER AND TYPE V CABINET	EACH	1
TRANSCEIVER - FIBER OPTIC	EACH	1
ELECTRIC CABLE IN CONDUIT, LEAD-IN, NO. 14 1 PAIR	FOOT	795
ELECTRIC CABLE IN CONDUIT, SERVICE, NO. 6 2 C	FOOT	30
TRAFFIC SIGNAL BACKPLATE, LOUVERED, ALUMINUM	EACH	8
INDUCTIVE LOOP DETECTOR	EACH	12
PEDESTRIAN PUSH-BUTTON	EACH	6
REMOVE ELECTRIC CABLE FROM CONDUIT	FOOT	30
REMOVE EXISTING TRAFFIC SIGNAL EQUIPMENT	EACH	1
SERVICE INSTALLATION, POLE MOUNTED	EACH	1
ELECTRIC CABLE IN CONDUIT, GROUNDING, NO. 6 1C	FOOT	30
SIGNAL HEAD, L.E.D., 1-FACE, 3-SECTION, MAST ARM MOUNTED	EACH	4
SIGNAL HEAD, L.E.D., 1-FACE, 5-SECTION, BRACKET MOUNTED	EACH	4
SIGNAL HEAD, L.E.D., 1-FACE, 5-SECTION, MAST ARM MOUNTED	EACH	4
PEDESTRIAN SIGNAL HEAD, L.E.D., 1-FACE, BRACKET MOUNTED	EACH	4
PEDESTRIAN SIGNAL HEAD, L.E.D., 2-FACE, BRACKET MOUNTED	EACH	2

PUSH BUTTON NOTES
 PUSH BUTTON "A" SHALL PLACE A CALL IN PHASES 2 AND 4
 PUSH BUTTON "D" SHALL PLACE A CALL IN PHASES 8 AND 2

CABLE PLAN

NOT TO SCALE



I.D.O.T. TRAFFIC SIGNAL INSTALLATION ELECTRICAL SERVICE REQUIREMENTS

TYPE	NO. LAMPS	WATTAGE INCAND.	WATTAGE LED	% OPERATION	TOTAL WATTAGE
SIGNAL (RED)	12	135	17	0.50	102
(YELLOW)	12	135	25	0.25	75
(GREEN)	12	135	15	0.25	45
ARROW	16	135	12	0.10	19.2
PED. SIGNAL	8	90	25	1.00	200
CONTROLLER	1	100	100	1.00	100
ILLUM. SIGN		84	35	0.05	
FLASHER					
TOTAL =					541.2

FOUNDATION (DEPTH)	(FT.) (m)	CABLE SLACK	(FT.) (m)	CABLE SLACK	(FT.) (m)
TYPE A - POST	4 (1.2)	HANDHOLE	6.5 (2.0)	ALL FOUNDATIONS	3.5 (1.0)
D - CONTROLLER	4 (1.2)	DOUBLE HANDHOLE	13 (4.0)	MAST ARM (L) POLE	20'-4"-2" (6m+1-0.6m)=
E - M. ARM POLE		SIGNAL POST	2 (1.0)	BRACKET MOUNTED	13 (4.0)
		24" (600mm)	10 (3.0)	PED. PUSHBUTTON	4 (1.2)
		30" (750mm)	15 (4.6)	ELECTRIC SERVICE	13.5 (4.1)
				GROUND CABLE	1 (0.5)
				SERVICE TO GROUND	13.5 (4.1)
				POST MOUNTED	6 (1.8)

ENERGY COST TO: Illinois Department of Transportation
 Division of Highways / District 1
 201 W Center Court / Schaumburg, Illinois 60196-1096

ENERGY SUPPLY: CONTACT: Mr. Sam Thomas
 PHONE: (630)-691-4456
 COMPANY: ComEd



REVISIONS	
NAME	DATE

ILLINOIS DEPARTMENT OF TRANSPORTATION

CABLE PLAN, PHASE DESIGNATION DIAGRAM, AND SCHEDULE OF QUANTITIES, US 12/45 (LEE-MANNHEIM RD.) AND OAKTON ST.

SCALE: NONE
 DATE: FEBRUARY, 2005

DRAWN BY: RV/MD
 DESIGNED BY: DS
 CHECKED BY: AS/KG

G:\projects\JOB 337\SHY\Mannheim\Oakton cbl.sht 02/16/2005