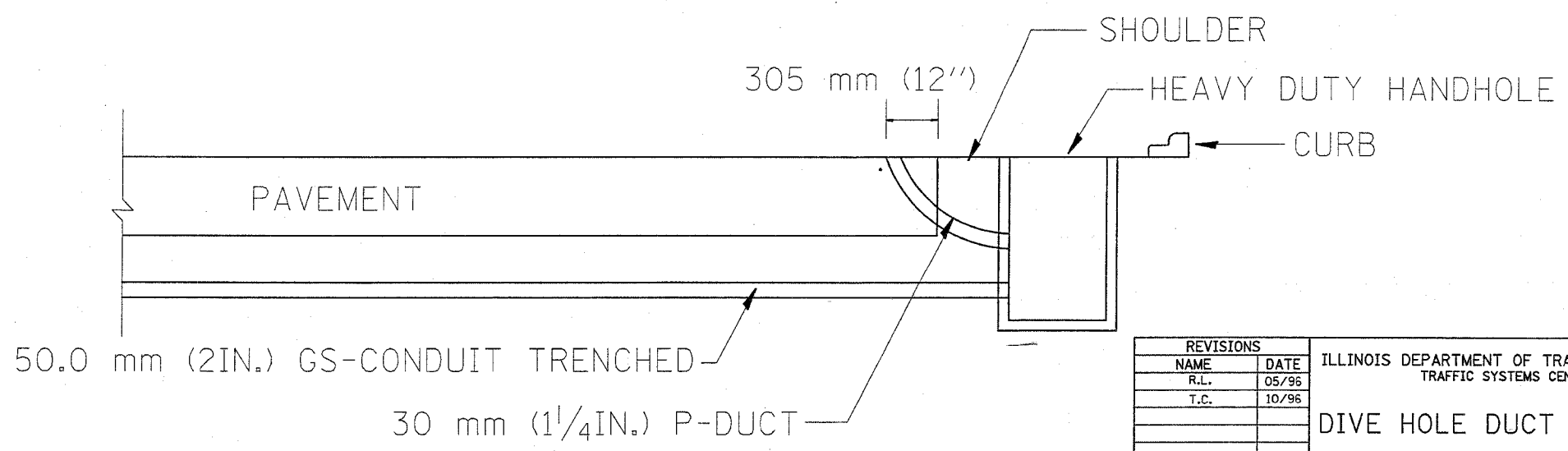
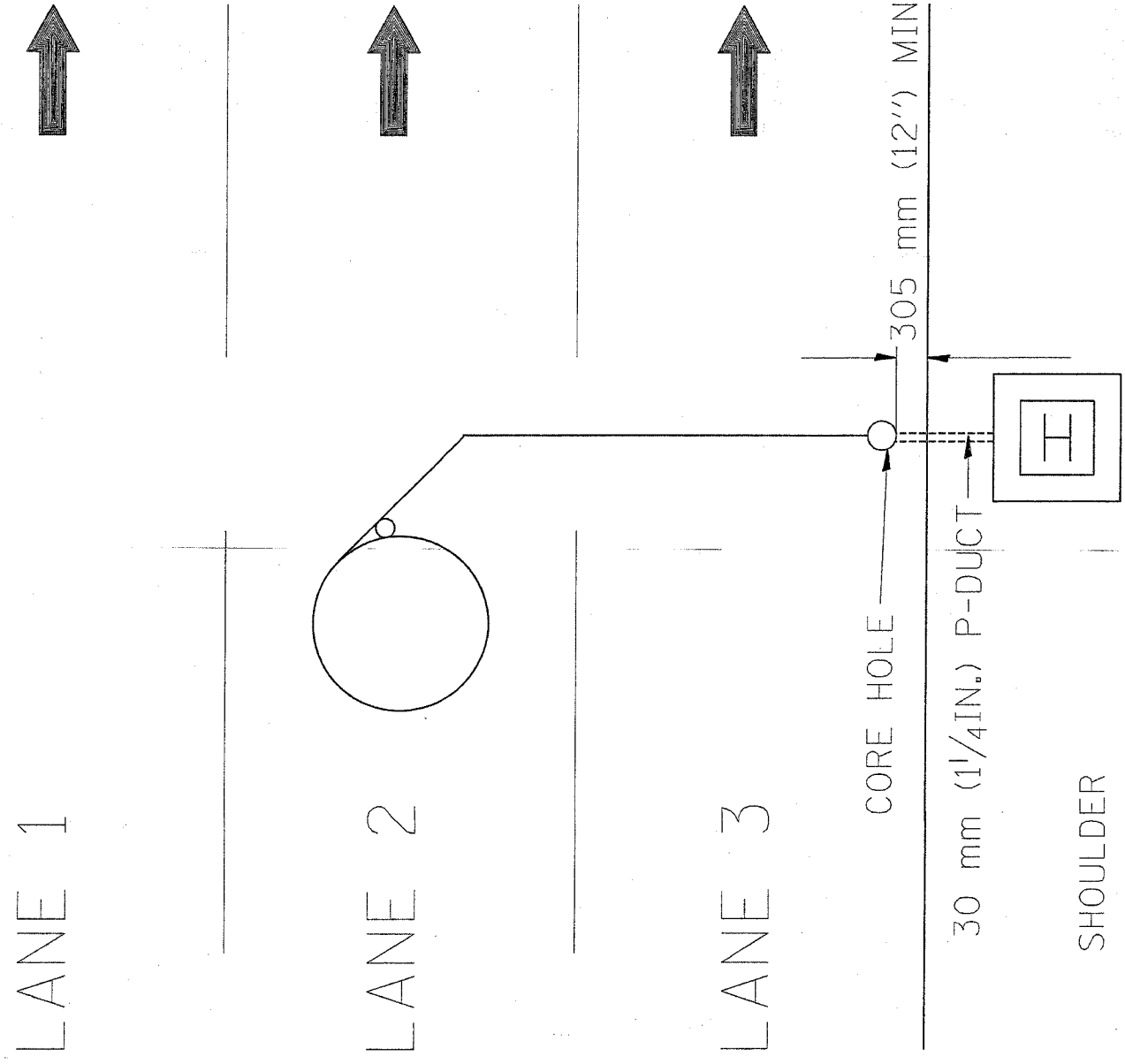


F.A.I. RTE.	SECTION	COUNTY	TOTAL SHEETS	SHEET NO.
90	*	COOK	82	62
STA.		TO STA.		
FED. ROAD DIST. NO.		ILLINOIS FED. AID PROJECT		

*(1012, 1214, 1415, & 1517) 85-3
62746



REVISIONS	
NAME	DATE
R.L.	05/96
T.C.	10/96

ILLINOIS DEPARTMENT OF TRANSPORTATION
TRAFFIC SYSTEMS CENTER
DIVE HOLE DUCT SYSTEM
SCALE: VERT. NONE
DATE 11/7/95
DRAWN BY G.M.
CHECKED BY R.L.

RD-TYPMET.DGN
RF=

VI-4188