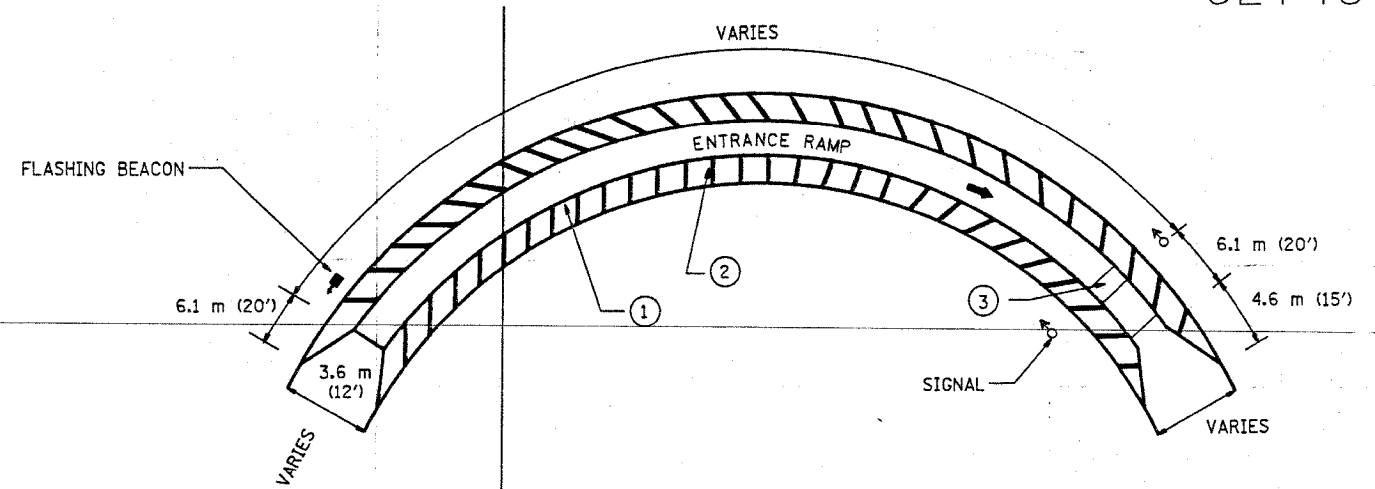
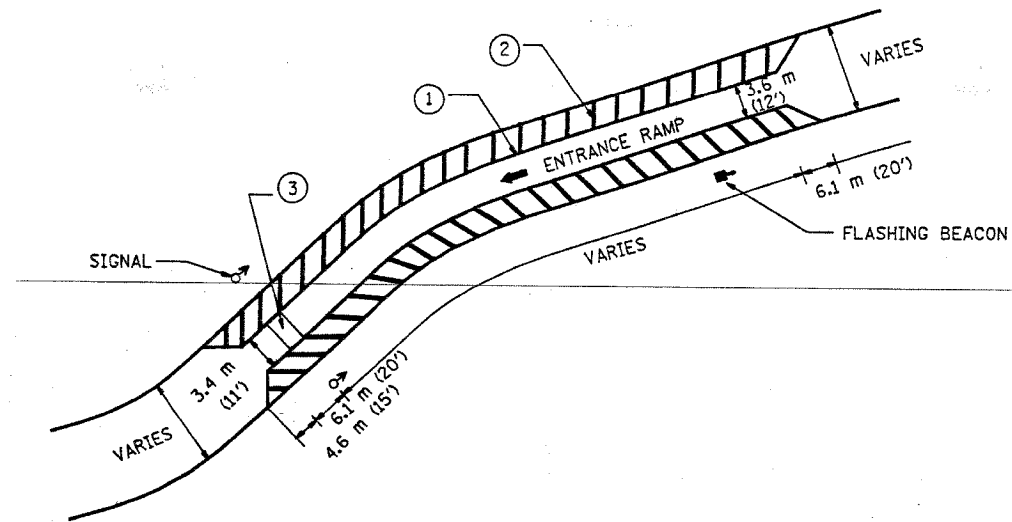
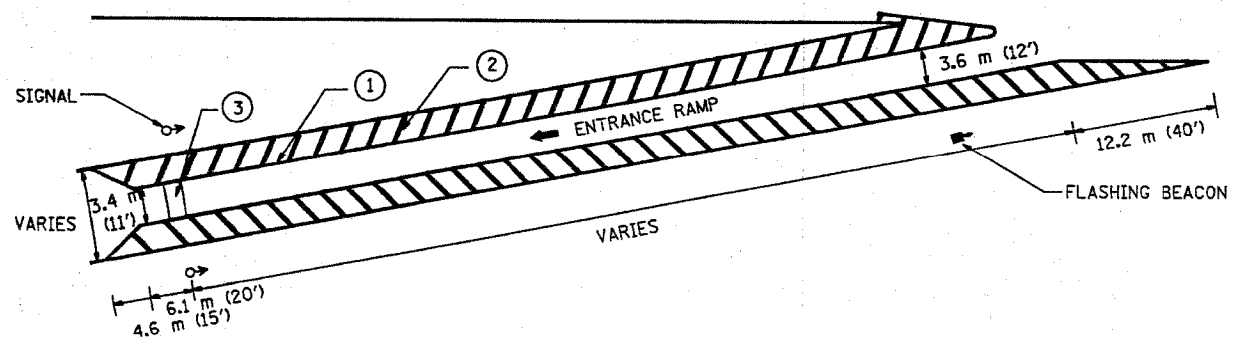


F.A.I. RTE.	SECTION	COUNTY	TOTAL SHEETS	SHEET NO.
90		COOK	82	63
STA.	TO STA.		FED. AID PROJECT	
			• (1012, 1214, 1415, & 1517) RS-3	

62746



FRONTAGE ROAD



PAVIMENT MARKING

- ① 30.5 cm (12") WHITE CHANNEL MARKINGS
- ② 20.3 cm (8") WHITE CROSS-HATCHING AT 3.05 m (10') INTERVALS
- ③ 60.9 cm (24") WHITE STOP BAR CENTERED BETWEEN SIGNALS

FOR INFORMATION ONLY - WORK UNDER THIS CONTRACT IS EXISTING SURVEILLANCE LOOP REPLACEMENT

REVISIONS		ILLINOIS DEPARTMENT OF TRANSPORTATION
NAME	DATE	
		TYPICAL RAMP METERING STRIPING
SCALE: VERT. NONE HORIZ. DATE 04/12/2004		DRAWN BY CHECKED BY