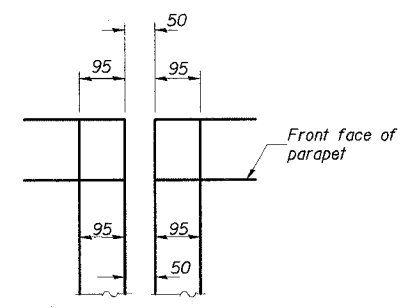
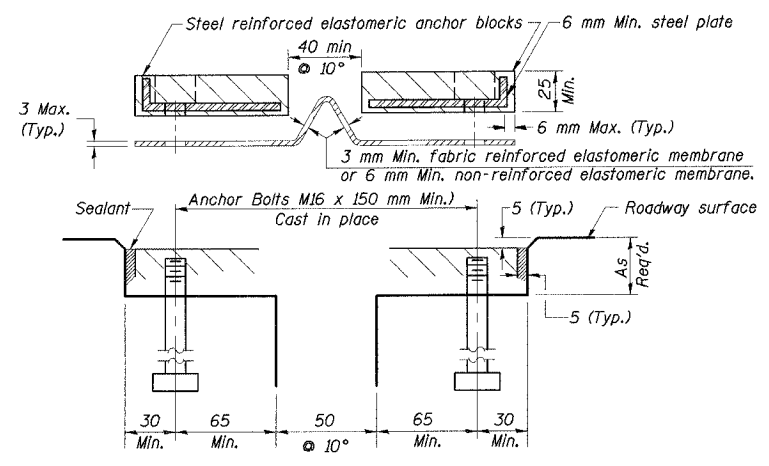


STATE OF ILLINOIS  
DEPARTMENT OF TRANSPORTATION

ROUTE NO.	SECTION	COUNTY	TOTAL SHEETS	SHEET NO.	SHEET NO.
F. A. I. 80/94	0203.1B	COOK	200	106	91 SHEETS
FED. ROAD DIST. NO. 1		ILLINOIS FED. AID PROJECT-		CONTRACT NO. 62854	



**FORMING BLOCKOUT SKETCH**



**CROSS SECTION**

**GENERAL NOTES**

Continuous Seal Neoprene Expansion Joint shall consist of molded anchor blocks of elastomer and steel, field assembled over continuous lengths of elastomeric membrane.

The elastomeric membrane shall be preformed with a single or a double upward convolution that will have a "memory" to return to its molded position upon joint closure.

The convolution length shall be such that the extended length will not be greater than the manufactured length when the joint is fully expanded in its design range and will not protrude above the anchor blocks when the joint is fully compressed.

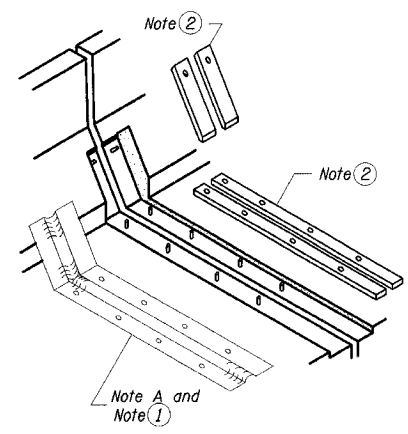
Joint openings shall be adjusted according to Article 503.10(c) of the Standard Specifications when the deck is poured at an ambient temperature other than 10 °C.

The parapet and roadway membrane shall be made continuous by an approved vulcanizing process. Lapping will not be permitted.

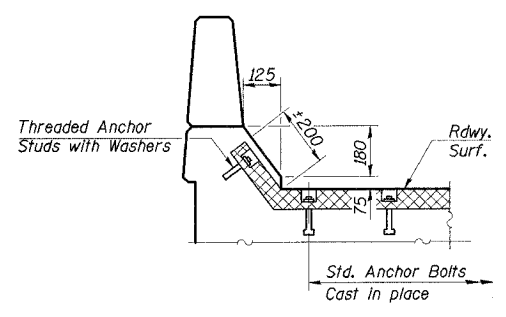
All dimensions are in millimeters (mm) except as noted.

- INSTALLATION NOTES**
- 1 Install continuous seal in roadway, parapet, curb, and sidewalk.
  - 2 Install anchor blocks as indicated.
- NOTE A: Maximum spacing of anchor bolts shall be 300 centers.

Item	Unit	Quantity
Neoprene Expansion Joint 50 mm.	m	9.50

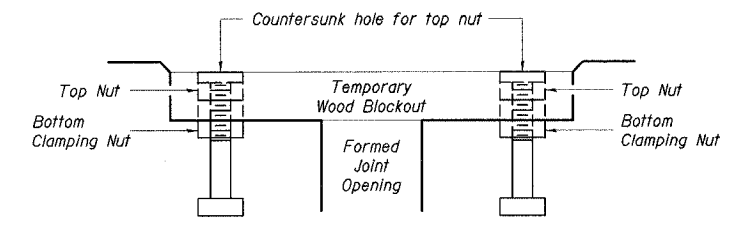


**AT PARAPET**



**AT PARAPET**

**TYPICAL END TREATMENT**



**RECOMMENDED BLOCKOUT DETAIL**

Note: Stud needs to be threaded lower to allow for use of clamping nut.

Anchor studs should be stainless

J:\Beauchamp EA\34562\CADD\61\CTR\28\_2804\cads\j150304e\_2804.dgn  
28-MAR-2005 12:32

DESIGNED	GPM
CHECKED	DD
DRAWN	JRB
CHECKED	GPM

ILLINOIS DEPARTMENT OF TRANSPORTATION  
I-94/IL 394 SOUTH BOUND  
NEOPRENE EXPANSION JOINT  
AT WEST ABUTMENT  
WB I-80/94 TO SB IL 394 - RAMP G  
FAI 80/94 - FAP 332 SECTION 0203.1B  
COOK COUNTY  
STA. 120+796.063 STRUCTURE NO. 016-2804  
DATE 3/23/05  
SCALE ---  
**HNTB**