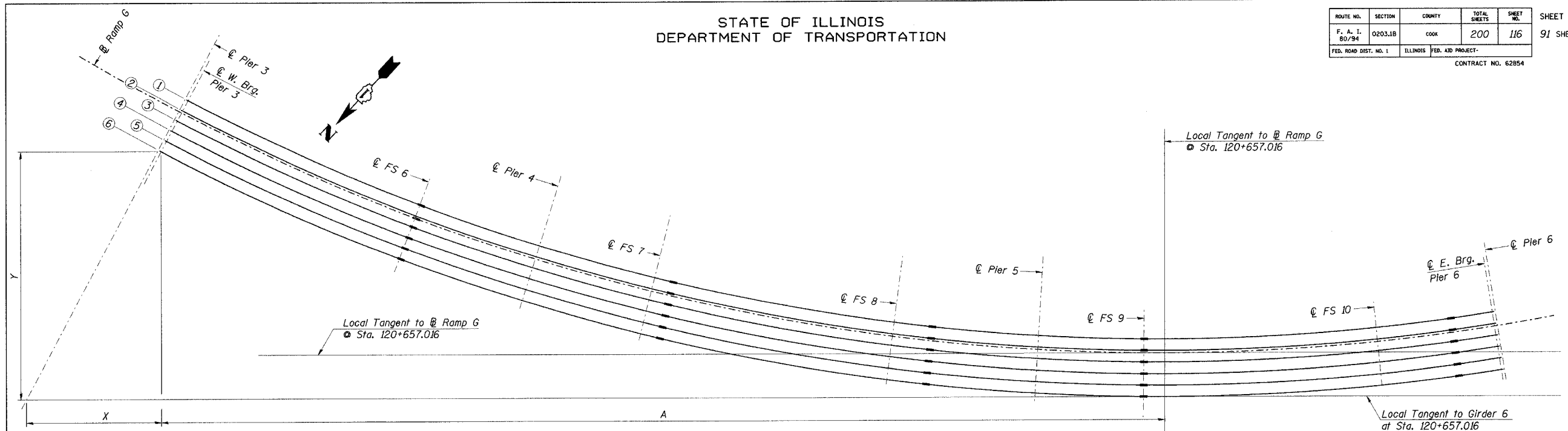


STATE OF ILLINOIS
DEPARTMENT OF TRANSPORTATION

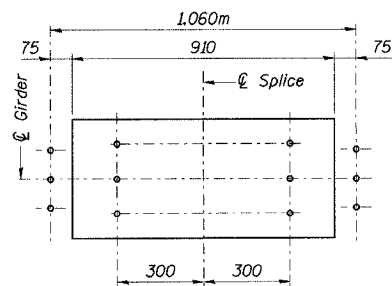
ROUTE NO.	SECTION	COUNTY	TOTAL SHEETS	SHEET NO.	SHEET NO. 54 91 SHEETS
F. A. I. 80/94	0203.1B	COOK	200	116	
FED. ROAD DIST. NO. 1	ILLINOIS	FED. AID PROJECT-	CONTRACT NO. 62854		



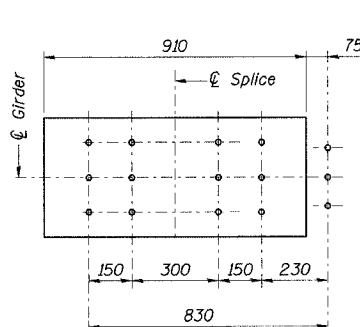
GIRDER LAYOUT PLAN - SPANS 4-6

LAYOUT DIMENSIONS

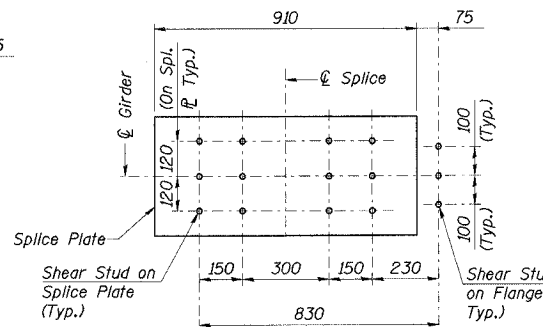
Girder	Station	W. Brg. Pier 3 120+510.450			FS 6 120+547.160			Pier 4 120+565.400			FS 7 120+582.660			FS 8 120+617.860			Pier 5 120+638.800			FS 9 120+654.060			FS 10 120+687.560			E. Brg. Pier 6 120+704.450		
		A	X	Y	A	X	Y	A	X	Y	A	X	Y	A	X	Y	A	X	Y	A	X	Y	A	X	Y			
1	300.00	139.944	18.335	34.641	106.738	7.473	19.630	89.620	4.288	13.699	73.120	2.274	9.047	38.788	0.328	2.518	18.084	0.033	0.546	2.936	0.000	0.014	30.290	0.156	1.533	46.924	0.590	3.692
2	301.66	140.721	18.437	34.833	107.328	7.515	19.739	90.116	4.312	13.775	73.524	2.286	9.097	39.002	0.330	2.532	18.184	0.033	0.549	2.953	0.000	0.014	30.458	0.156	1.542	47.186	0.594	3.713
BL	302.00	140.880	18.458	34.873	107.449	7.523	19.761	90.217	4.317	13.790	73.607	2.289	9.108	39.046	0.331	2.535	18.205	0.033	0.549	2.956	0.000	0.014	30.492	0.157	1.543	47.239	0.594	3.717
3	303.32	141.498	18.540	35.027	107.919	7.556	19.848	90.612	4.336	13.851	73.929	2.299	9.147	39.217	0.332	2.546	18.285	0.033	0.552	2.969	0.000	0.015	30.625	0.157	1.550	47.448	0.597	3.734
4	304.98	142.274	18.642	35.219	108.510	7.597	19.956	91.107	4.359	13.926	74.333	2.311	9.197	39.432	0.334	2.560	18.385	0.033	0.555	2.985	0.000	0.015	30.793	0.158	1.559	47.709	0.600	3.755
5	306.64	143.050	18.744	35.412	109.100	7.639	20.065	91.603	4.383	14.002	74.738	2.324	9.247	39.646	0.336	2.574	18.485	0.034	0.558	3.001	0.000	0.015	30.960	0.159	1.567	47.972	0.604	3.776
6	308.30	143.827	18.847	35.605	109.691	7.680	20.174	92.099	4.407	14.078	75.143	2.337	9.298	39.861	0.337	2.588	18.585	0.034	0.561	3.018	0.000	0.015	31.128	0.160	1.575	48.234	0.607	3.797



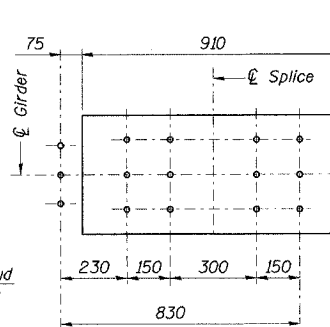
SPICES 6, 7, 8 & 10 DETAIL



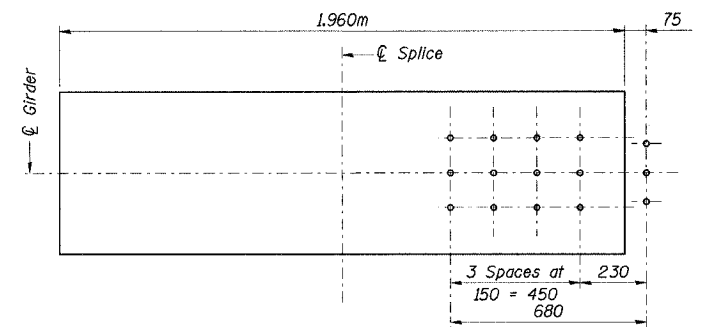
SPICE 7A DETAIL



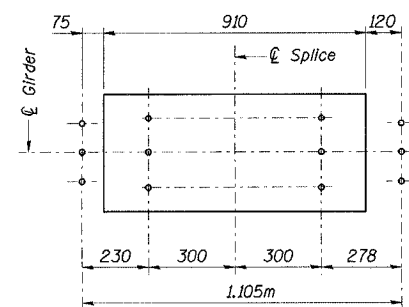
SPICE 7B DETAIL



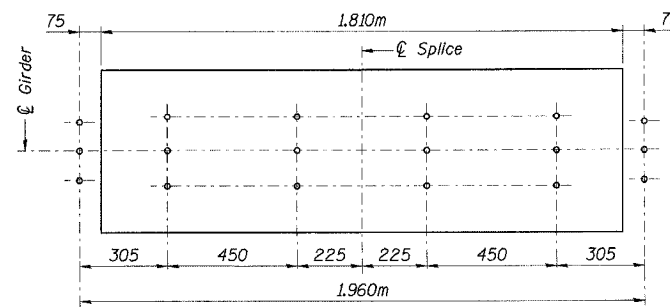
SPICE 8A DETAIL



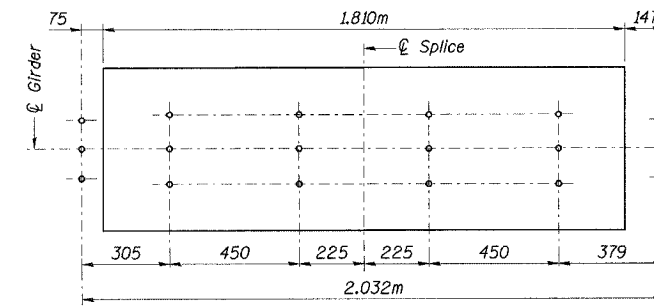
SPICE 9 DETAIL



SPICE 10A DETAIL



SPICE 10B DETAIL



SPICE 10C DETAIL

Notes

Coordinate system shown for Girder 6.
Typical for all Girders with local tangent
to each girder at Sta. 120+657.016

DESIGNED	GPM
CHECKED	PCA
DRAWN	JRB/LK
CHECKED	MEA

J:\Beauchamp
 E:\34562\CADD\N1\CTR_28_2804\cda\Fp1502824e_2804.dgn
 28-MAR-2005 12:31

ILLINOIS DEPARTMENT OF TRANSPORTATION
I-94/IL 394 SOUTH BOUND
GIRDER LAYOUT - SPANS 4-6
WB I-80/94 TO SB IL 394 - RAMP G
FAI 80/94 - FAP 332 SECTION 0203.1B
COOK COUNTY
STA. 120+796.063 STRUCTURE NO. 016-2804
DATE 3/23/05
SCALE ---

HNTB